



US00D354689S

United States Patent [19]

[11] Patent Number: **Des. 354,689**

Figard

[45] Date of Patent: **** Jan. 24, 1995**

[54] **COMBINED WRITING INSTRUMENT AND WHISTLE**

[76] Inventor: **James J. Figard, 2414 Hartmill Ct., Charlotte, N.C. 28226**

[**] Term: **14 Years**

[21] Appl. No.: **15,255**

[22] Filed: **Nov. 12, 1993**

D. 284,290	6/1986	Concilio et al.	D19/36
D. 301,513	6/1989	Wright	D22/117
D. 333,151	2/1993	Hochfield	D19/36
D. 338,037	8/1993	Miller et al.	D19/44
1,150,447	8/1915	Mayland	D10/119 X
2,285,000	6/1942	Wallace	24/10
2,476,571	7/1949	Vierling	401/6
4,371,278	2/1983	Joo	401/195
4,553,926	11/1985	Crespy	431/253
4,674,298	6/1987	Wimmershoff-Caplan	63/1 A
4,779,568	10/1988	Finger, Jr.	116/137 R

Related U.S. Application Data

[63] Continuation-in-part of Ser. No. 948,741, Sep. 11, 1992, abandoned, which is a continuation of Ser. No. 789,061, Nov. 7, 1991, abandoned.

[52] U.S. Cl. **D19/36; D19/44; D19/46; D10/119**

[58] Field of Search **D10/119; D19/35, 36, D19/41-51, 54-58, 81-85; 401/52, 6, 195**

[56] References Cited

U.S. PATENT DOCUMENTS

D. 25,238	3/1896	Abell	D10/119
D. 128,476	7/1941	Berlin	D10/119
D. 142,330	8/1945	Trollen	D19/36 X
D. 172,134	5/1954	Del Mas	D10/119
D. 202,674	10/1965	Dales	D19/36
D. 202,843	11/1965	Dales	D19/36
D. 266,652	10/1982	Nagel	D10/119

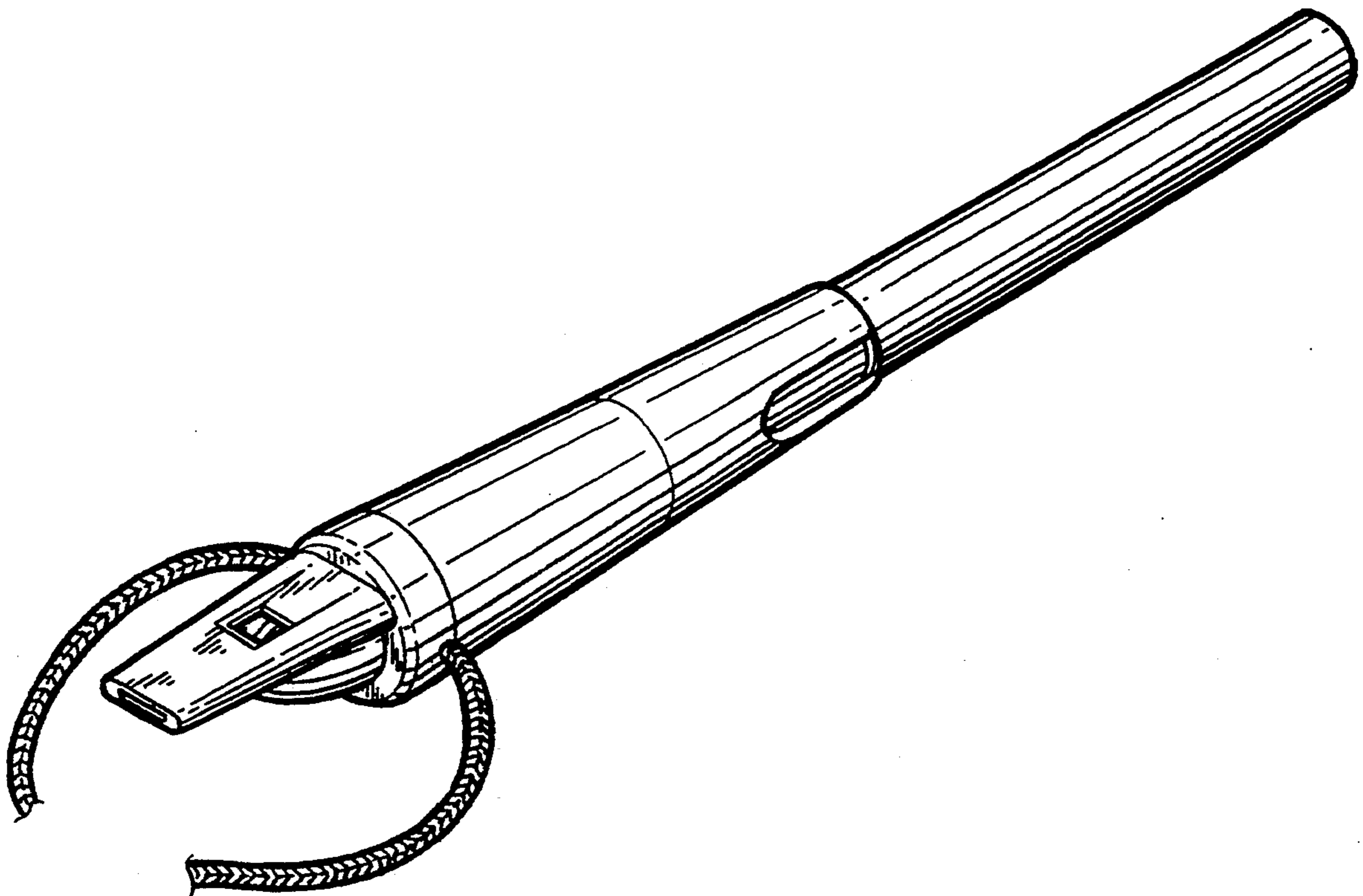
Primary Examiner—Martie Thompson
Attorney, Agent, or Firm—W. Thad Adams, III

[57] CLAIM

The ornamental design for a combined writing instrument and whistle, as shown and described.

DESCRIPTION

FIG. 1 is a perspective view of a combined writing instrument and whistle showing my new design; FIG. 2 is a front elevational view; FIG. 3 is a right side elevational view, the left side being a mirror image thereof; FIG. 4 is a rear elevational view; FIG. 5 is a top plan view; and, FIG. 6 is a bottom plan view thereof. The suspension cord has been shown broken away in all views for convenience of illustration.



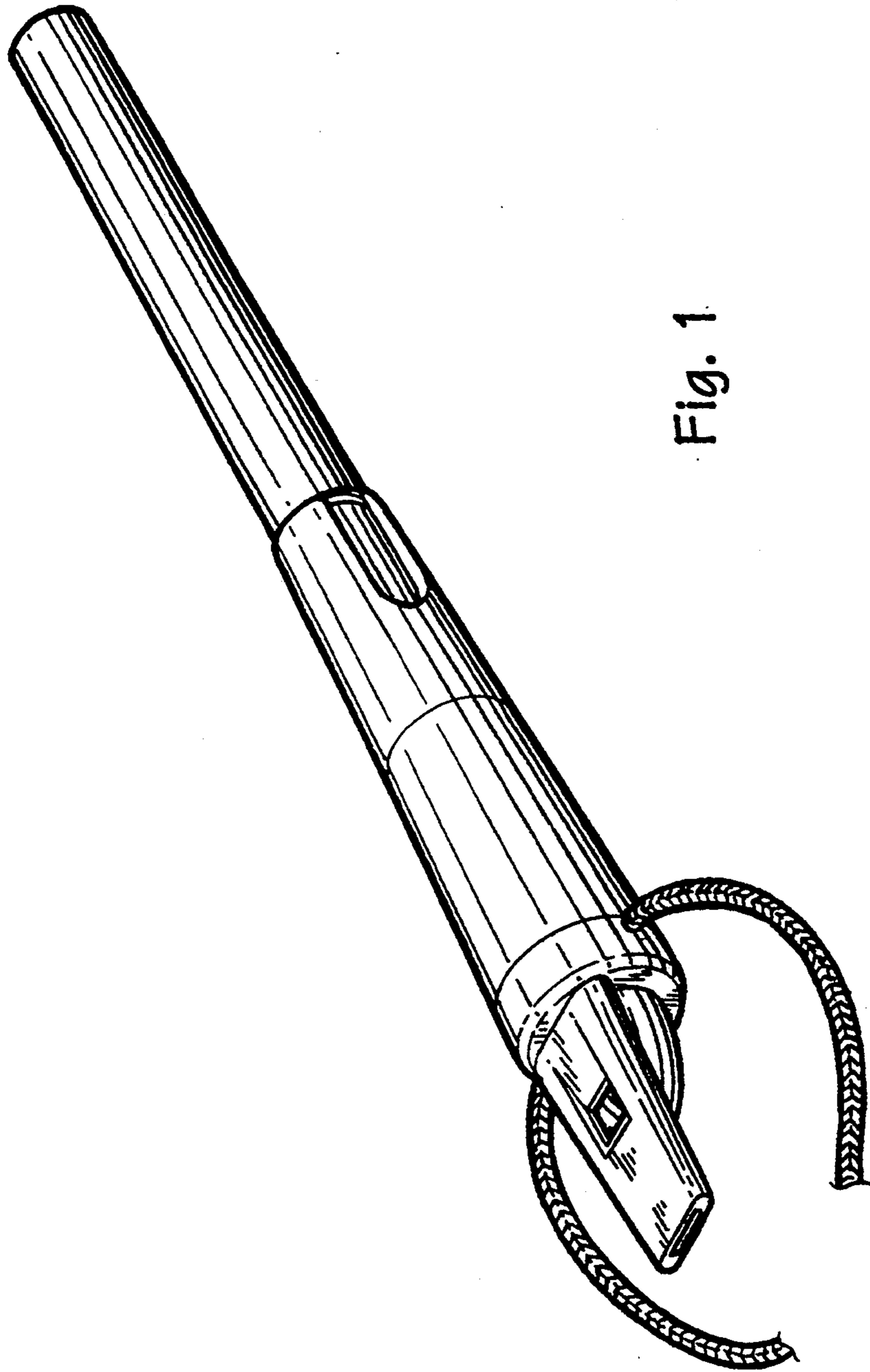


Fig. 1

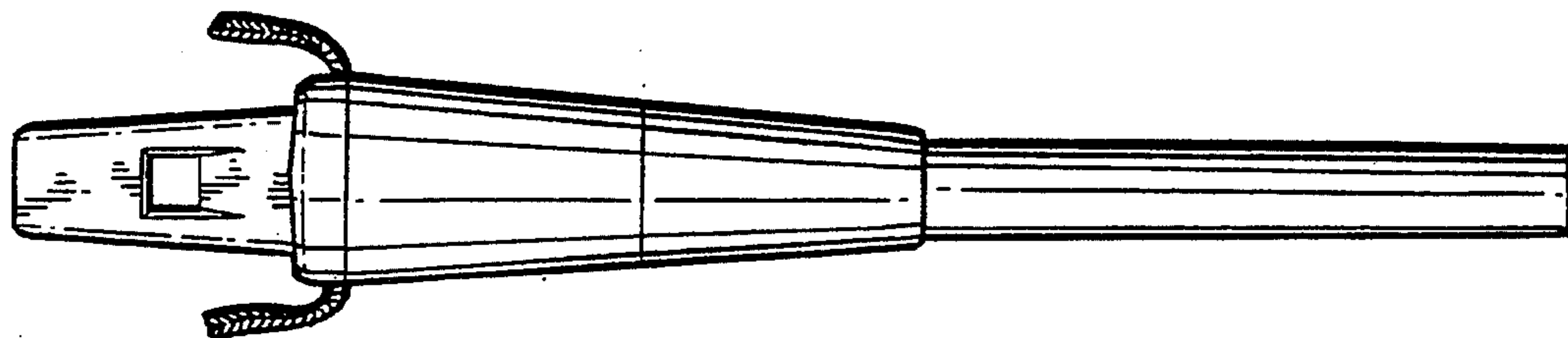


Fig. 2

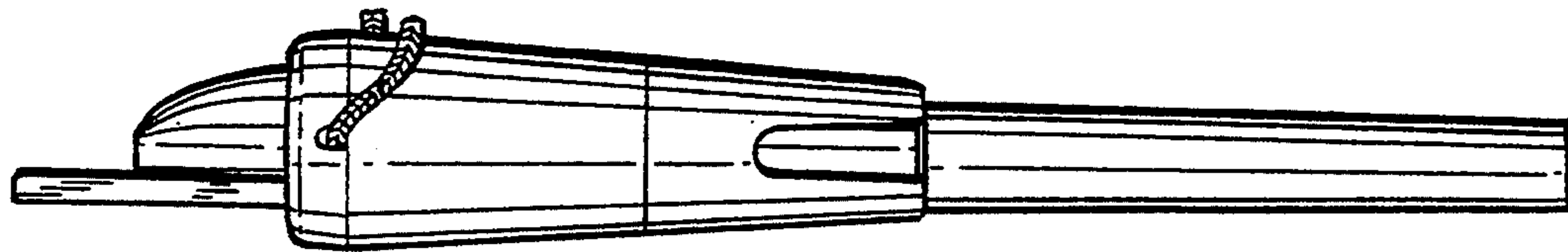


Fig. 3

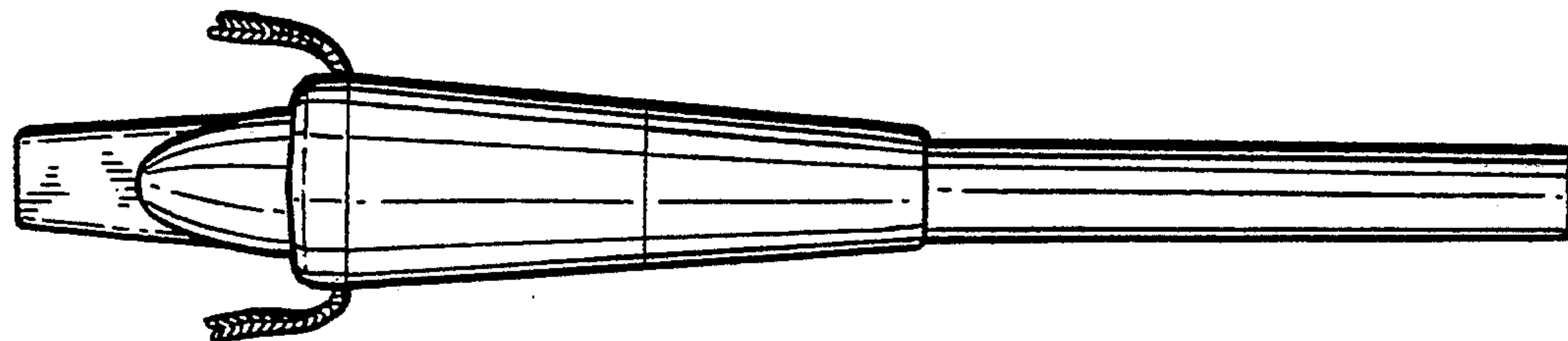


Fig. 4

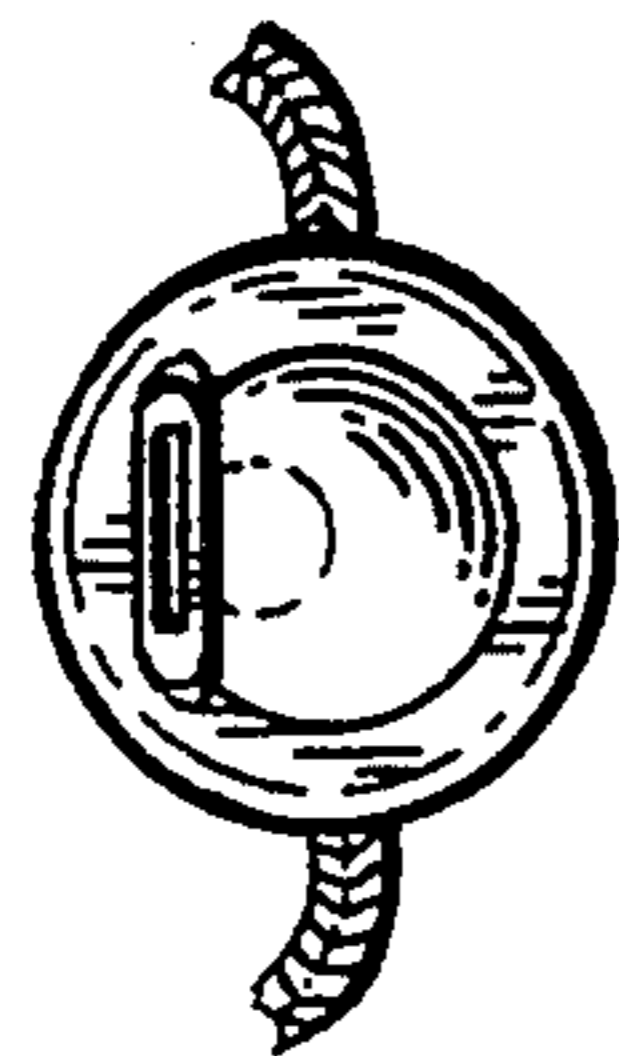


Fig. 5

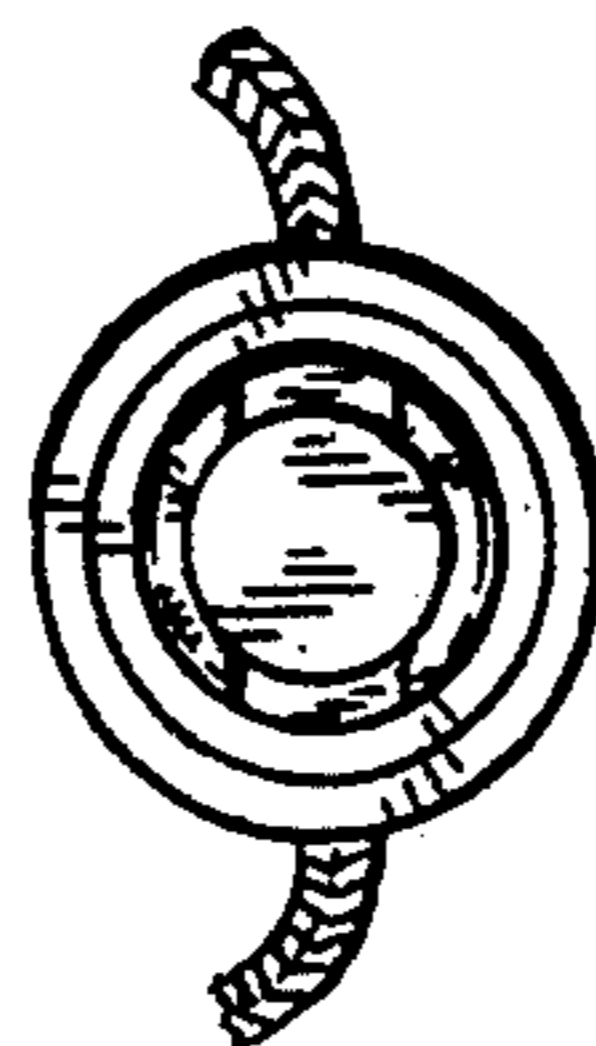


Fig. 6