



US00D354681S

United States Patent [19]

Nolte

[11] Patent Number: **Des. 354,681**

[45] Date of Patent: **** Jan. 24, 1995**

- [54] SEAL ENGAGING RING
- [75] Inventor: **Paul A. Nolte, Memphis, Tenn.**
- [73] Assignee: **Ingersoll-Dresser Pump Company, Liberty Corner, N.J.**
- [**] Term: **14 Years**
- [21] Appl. No.: **813,417**
- [22] Filed: **Dec. 20, 1991**
- [52] U.S. Cl. **D9/434**
- [58] Field of Search **D9/434-435, D9/447, 499; 215/200-201, 219, 250; 220/369, 699-700, 701-731, DIG. 5; 222/566, 570-571**

- 3,892,325 7/1975 Maguire 215/219
- 3,934,744 1/1976 Curry 215/219
- 4,479,585 10/1984 Sandhaus 215/250
- 5,244,615 7/1993 Hickerson 215/201

Primary Examiner—Alan P. Douglas
Assistant Examiner—R. Spear
Attorney, Agent, or Firm—Michael H. Minns

[57] CLAIM

The ornamental design for a seal engaging ring, as shown and described.

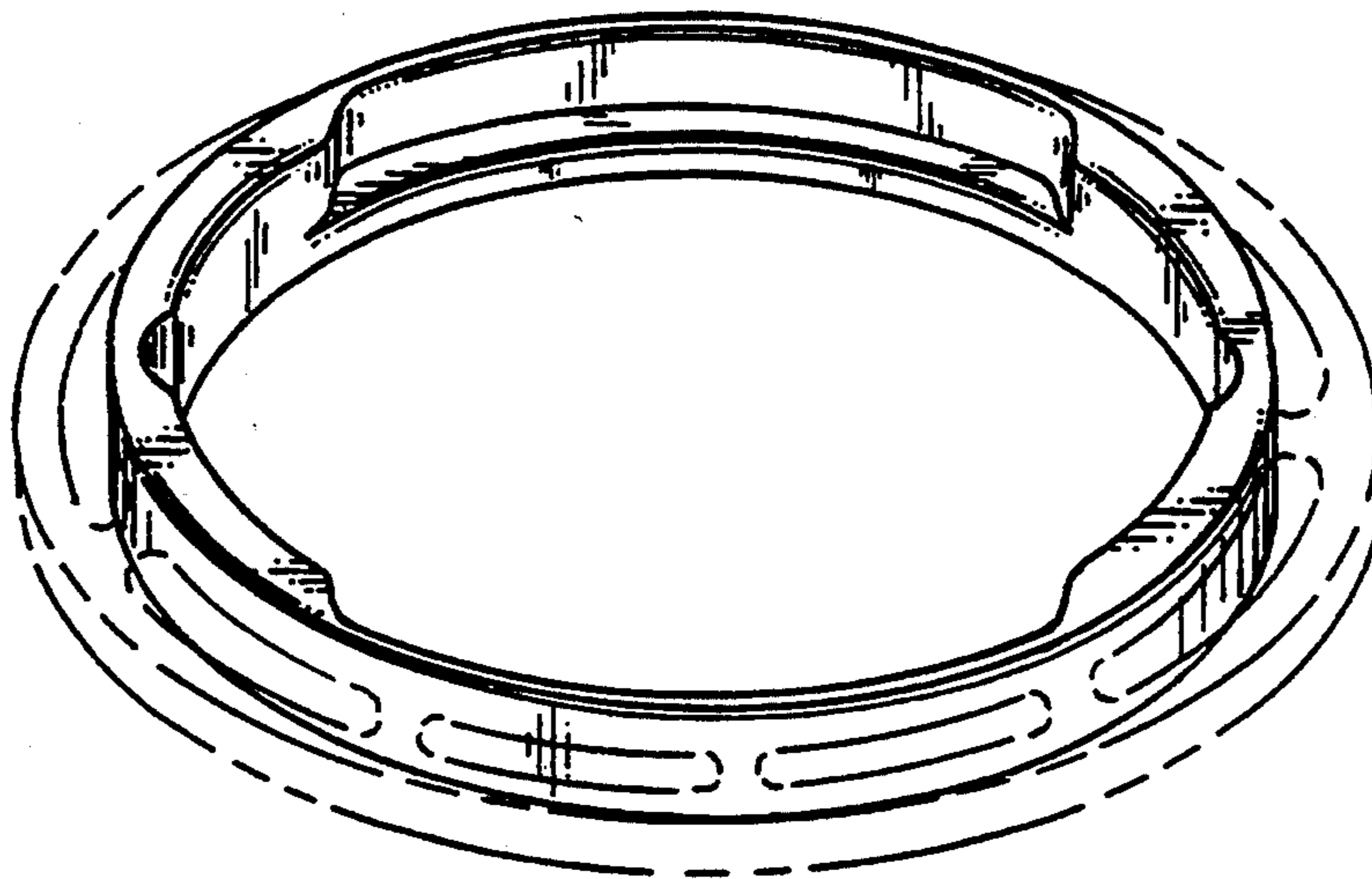
DESCRIPTION

FIG. 1 is a top plan view of a seal engaging ring showing my new design;
 FIG. 2 is a bottom plan view of FIG. 1;
 FIG. 3 is a side elevational view of FIG. 1 all other side elevational views being identical thereto;
 FIG. 4 is a perspective view of FIG. 2; and,
 FIG. 5 is a cross-sectional view taken on line 5—5 of FIG. 2.
 The broken line showing of a retaining ring is for illustrative purposes only and forms no part of the claimed design.

[56] References Cited

U.S. PATENT DOCUMENTS

- D. 207,750 5/1967 Roth D9/452
- D. 226,054 1/1973 Nixdorff, Jr. D9/435
- D. 246,698 12/1977 Morris D9/439
- D. 304,424 11/1989 Dawson D9/453
- D. 318,804 8/1991 Ochs D9/453
- 3,464,576 9/1969 Rohde D9/454 X



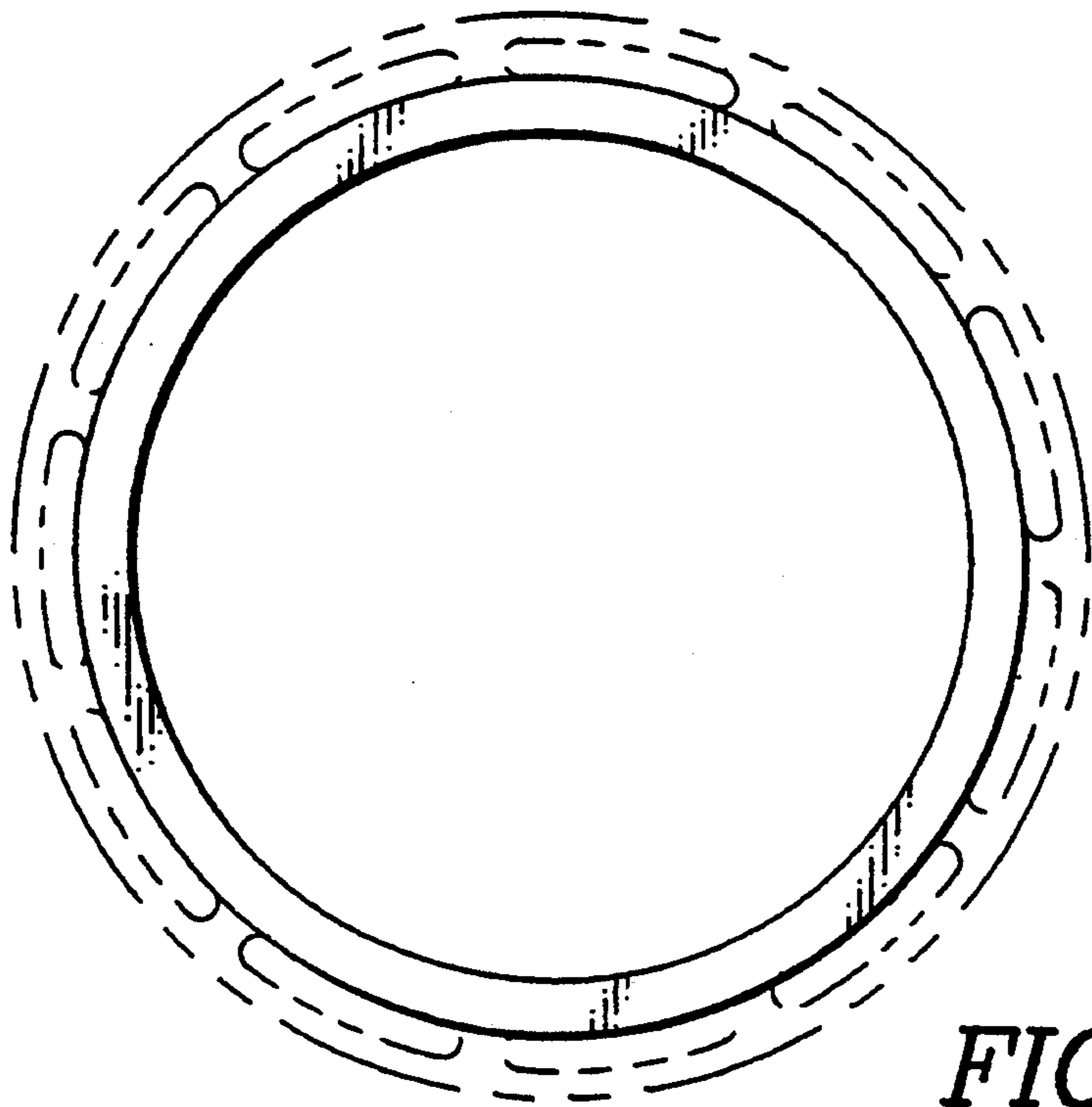


FIG. 1

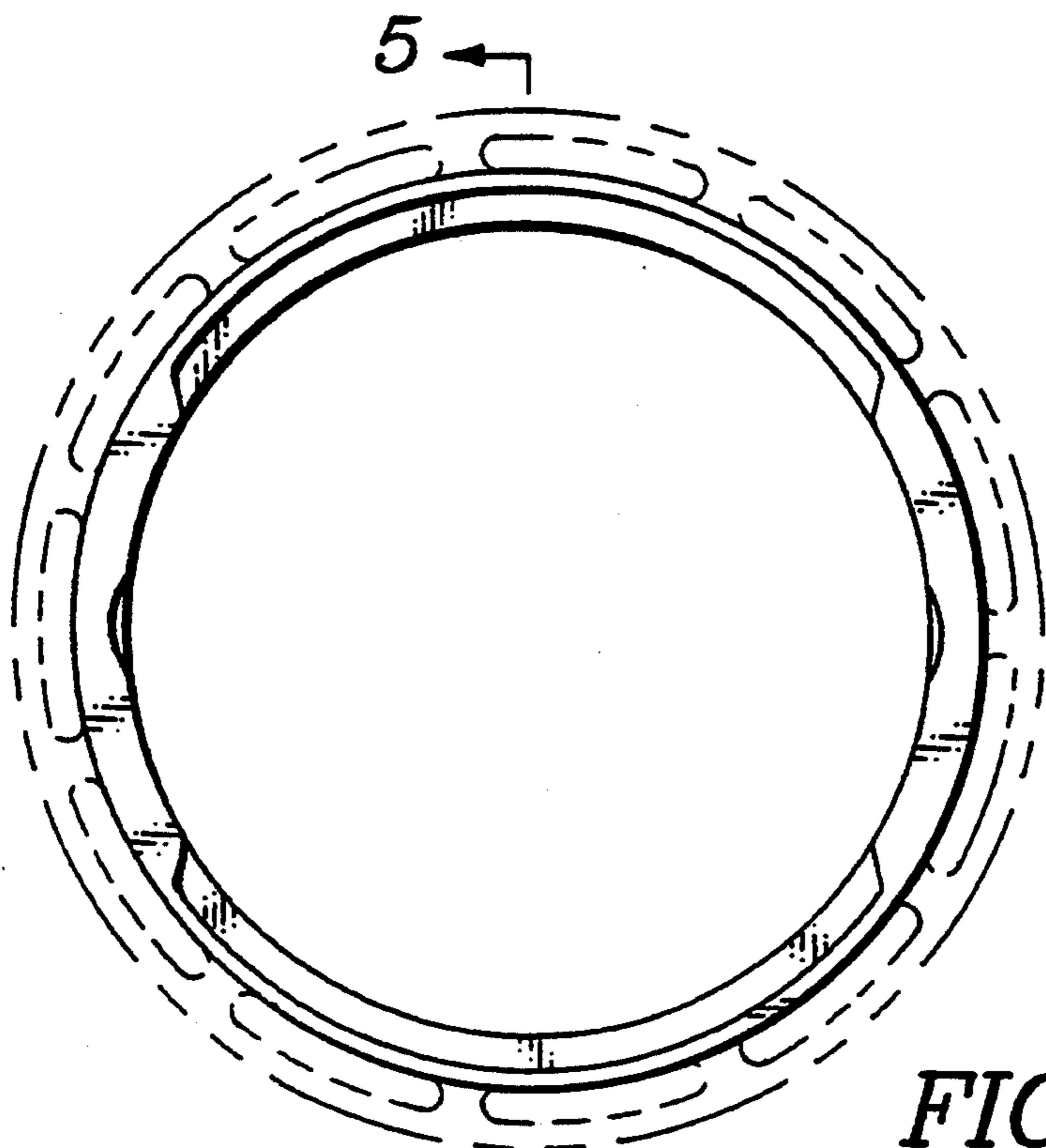


FIG. 2

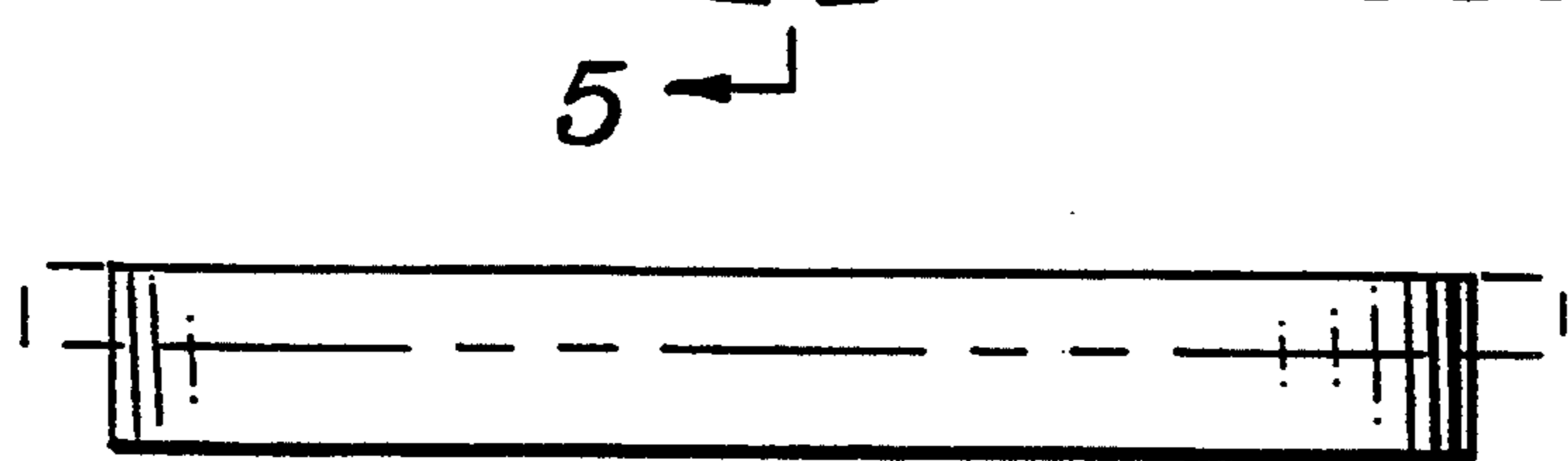


FIG. 3

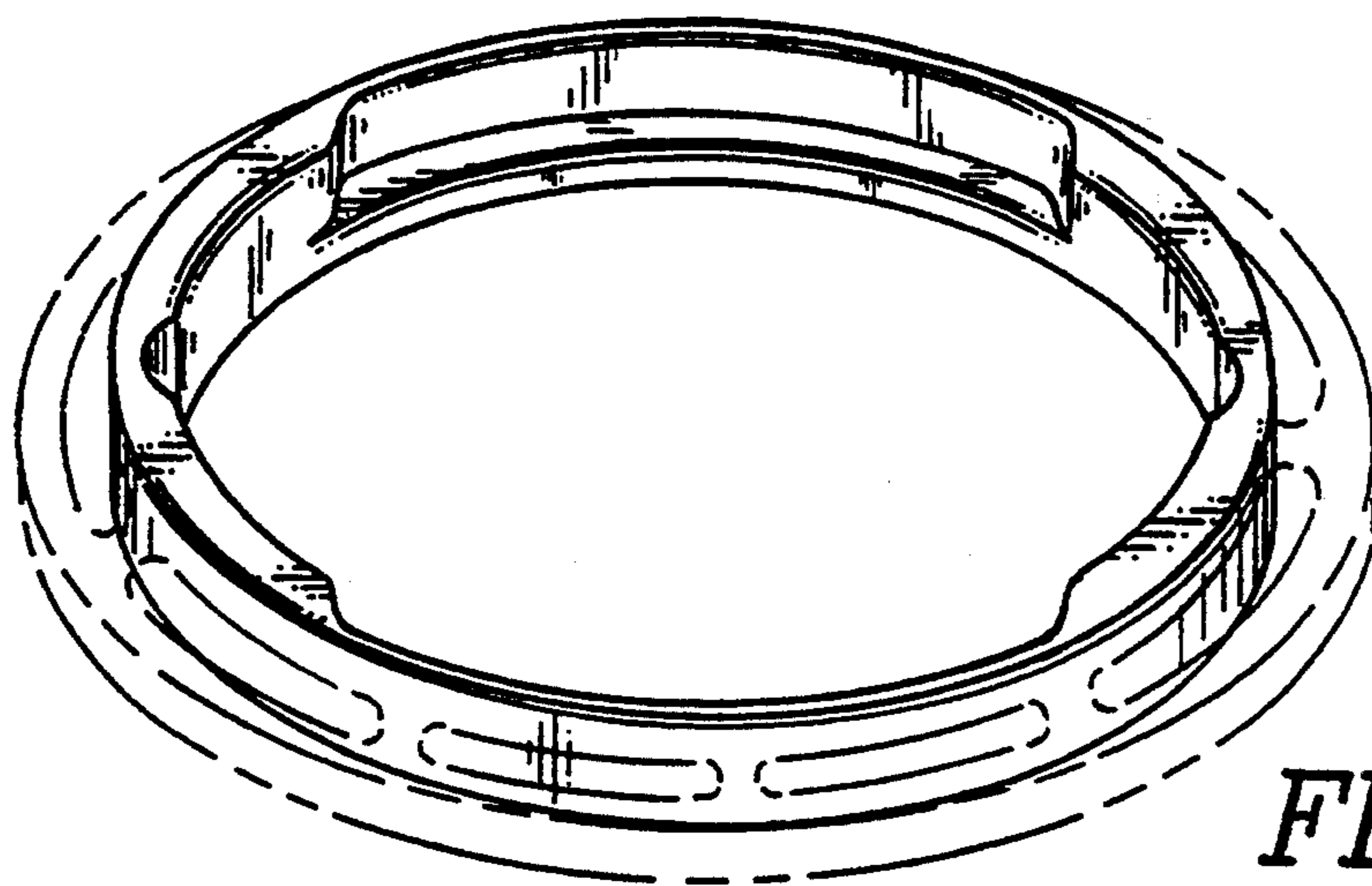


FIG. 4



FIG. 5