



US00D354680S

United States Patent [19] Chen

[11] Patent Number: **Des. 354,680**
[45] Date of Patent: **** Jan. 24, 1995**

[54] CONTAINER WITH A REMOVABLE BOTTOM
[75] Inventor: **Cheng-Chang Chen, Castro Valley, Calif.**
[73] Assignee: **Venquest Trading Inc., Oakland, Calif.**
[**] Term: **14 Years**
[21] Appl. No.: **16,449**
[22] Filed: **Dec. 15, 1993**
[52] U.S. Cl. **D9/428**
[58] Field of Search **D9/428, 424, 425, 414, D9/339, 509, 450; 220/625, 713, 254, 252, 4.25, 908; 206/45.31, 45.34, 45.13, 45.15, 539, 531; 215/2, 6, 1 R; D34/7**

1,440,046 12/1922 Ziplinsky D9/418 X
2,765,576 10/1956 Kurek .
3,393,815 7/1968 Turecek 215/2
3,590,988 7/1971 Hollar 206/45.34
4,691,821 9/1987 Hofmann .
5,105,998 4/1992 Ilott .
5,188,253 2/1993 Poore et al. 215/2 X
5,271,508 12/1993 Gamwell .
5,335,812 8/1994 Boller 220/713 X

OTHER PUBLICATIONS

Packaging, 1959, p. 172, Zymacap Container.

Primary Examiner—Prabhakar G. Deshmukh
Attorney, Agent, or Firm—Townsend and Townsend
Khourie and Crew

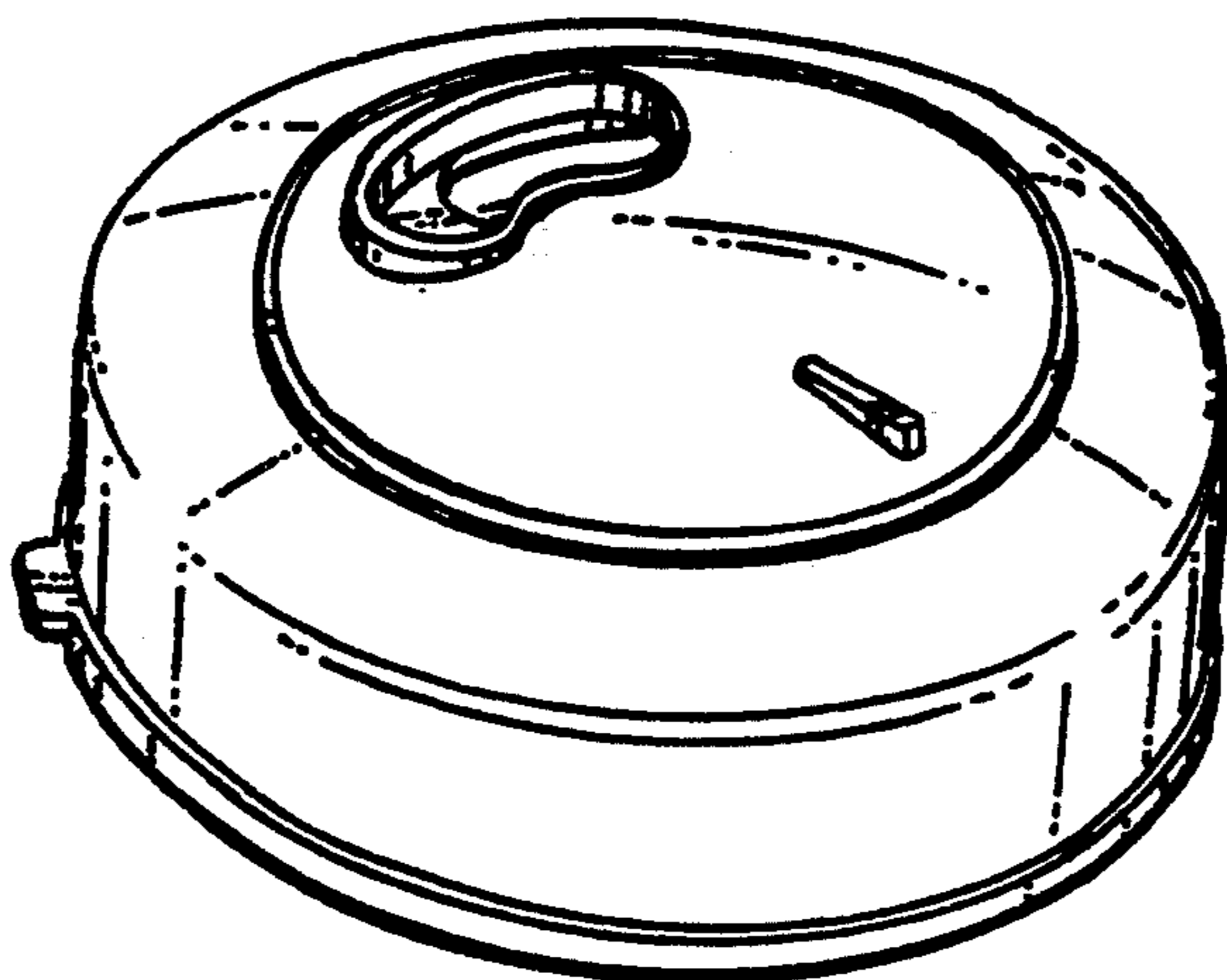
CLAIM

[57] The ornamental design for a container with a removable bottom, as shown and described.

DESCRIPTION

FIG. 1 is a perspective view of a container with a removable bottom showing my new design;
FIG. 2 is a top plan view thereof;
FIG. 3 is a front elevational view thereof;
FIG. 4 is a right side elevational view, the left side elevational view being a mirror image;
FIG. 5 is a rear elevational view thereof; and,
FIG. 6 is a bottom plan view thereof.

[56] **References Cited**
U.S. PATENT DOCUMENTS
D. 168,835 2/1953 Freeman D9/428
D. 291,536 8/1987 Crawford et al. D9/450 X
D. 315,308 3/1991 Vankerkhoven D9/450
D. 348,001 6/1994 Smith D9/428
729,417 5/1903 Rivers .
1,115,375 10/1914 Bachowski et al. .
1,251,870 1/1918 Denzer .
1,265,148 5/1918 Warren .



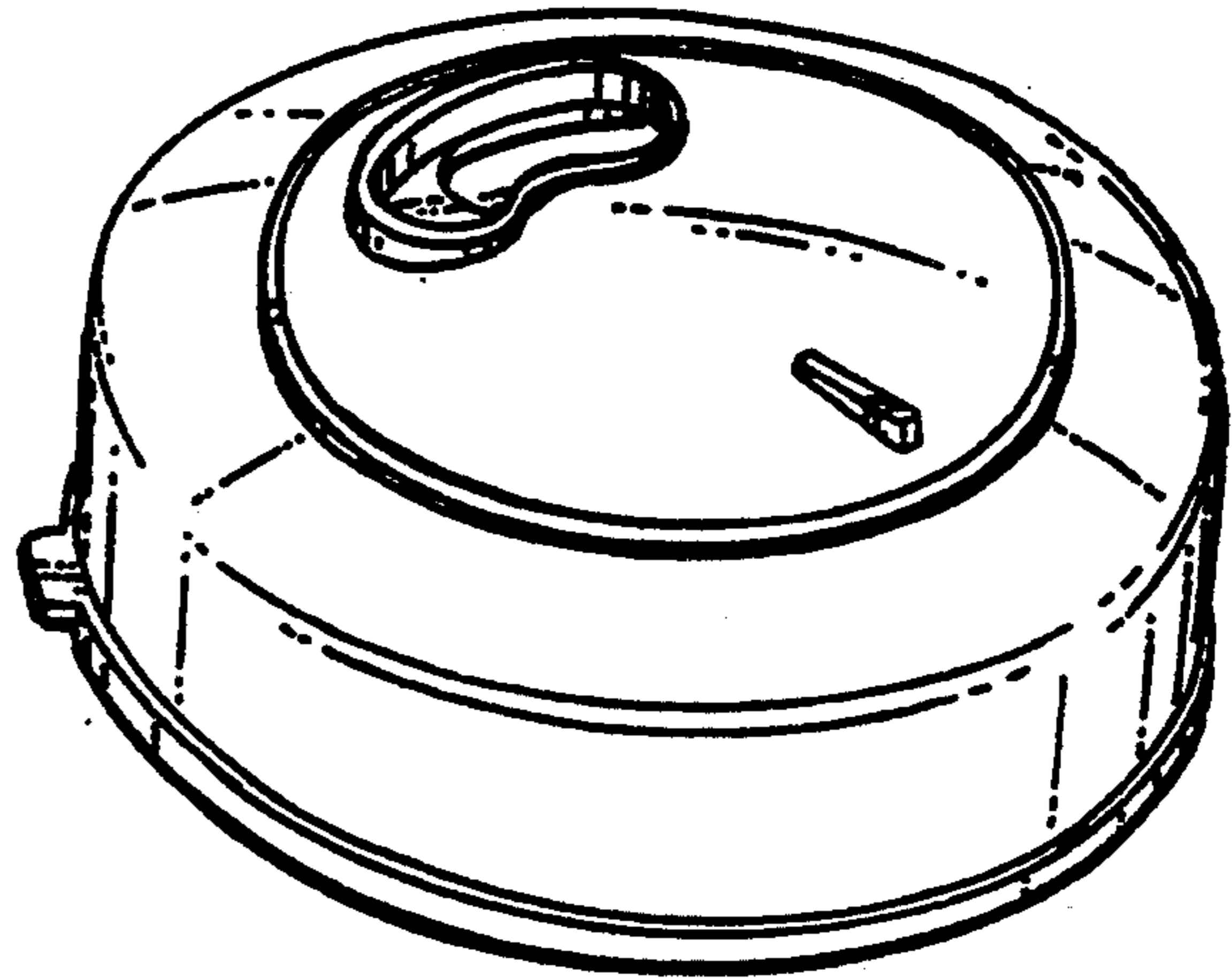


FIG. 1.

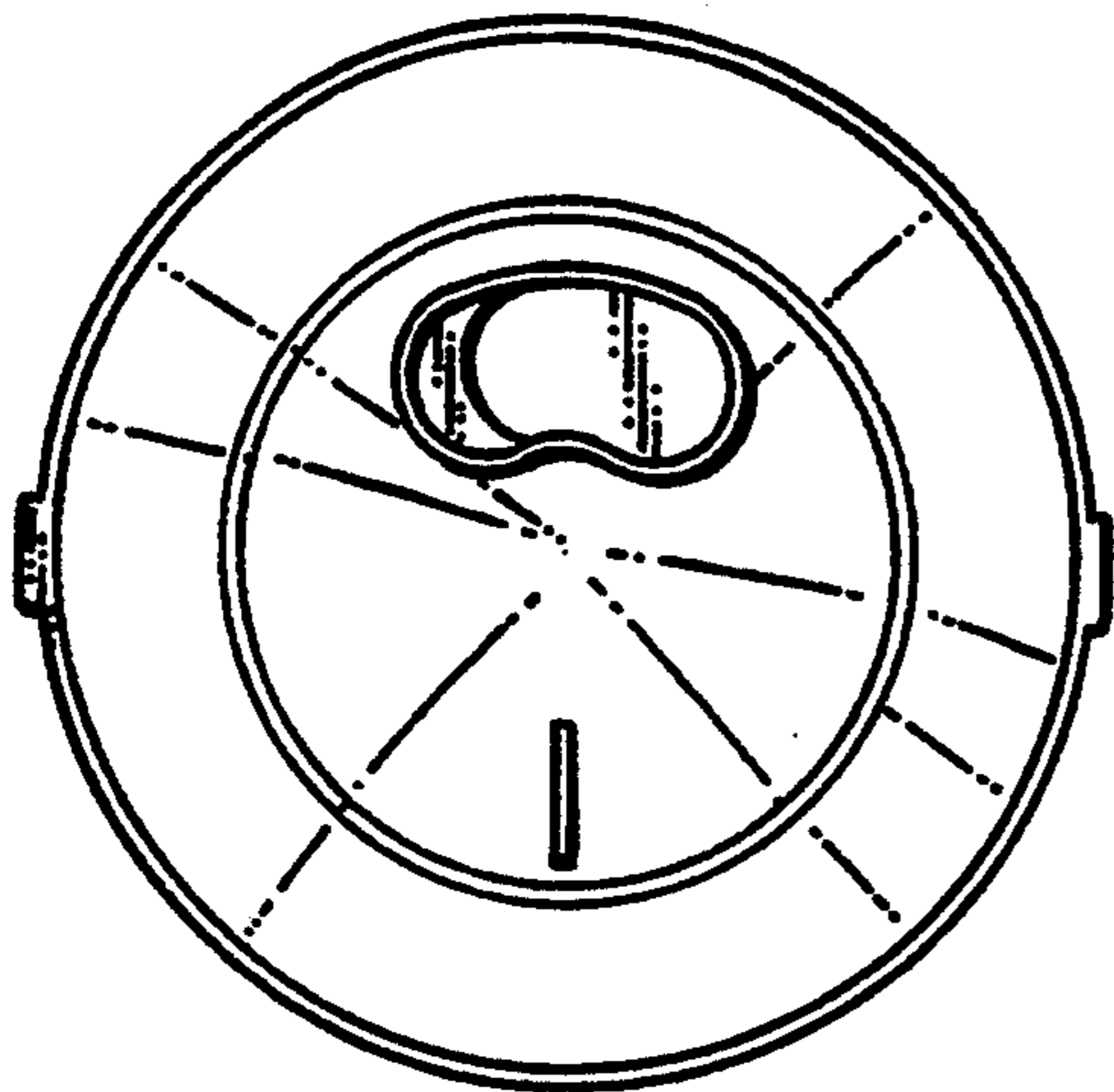


FIG. 2.

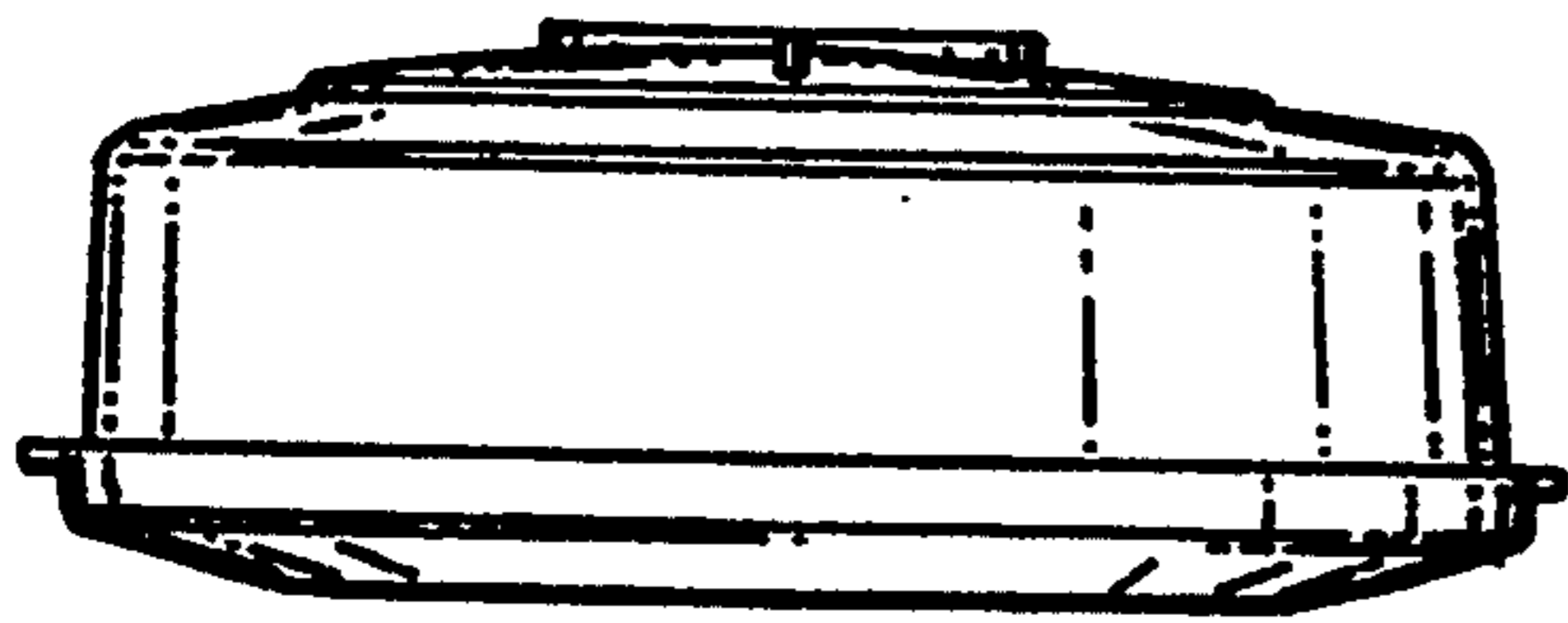


FIG. 3.

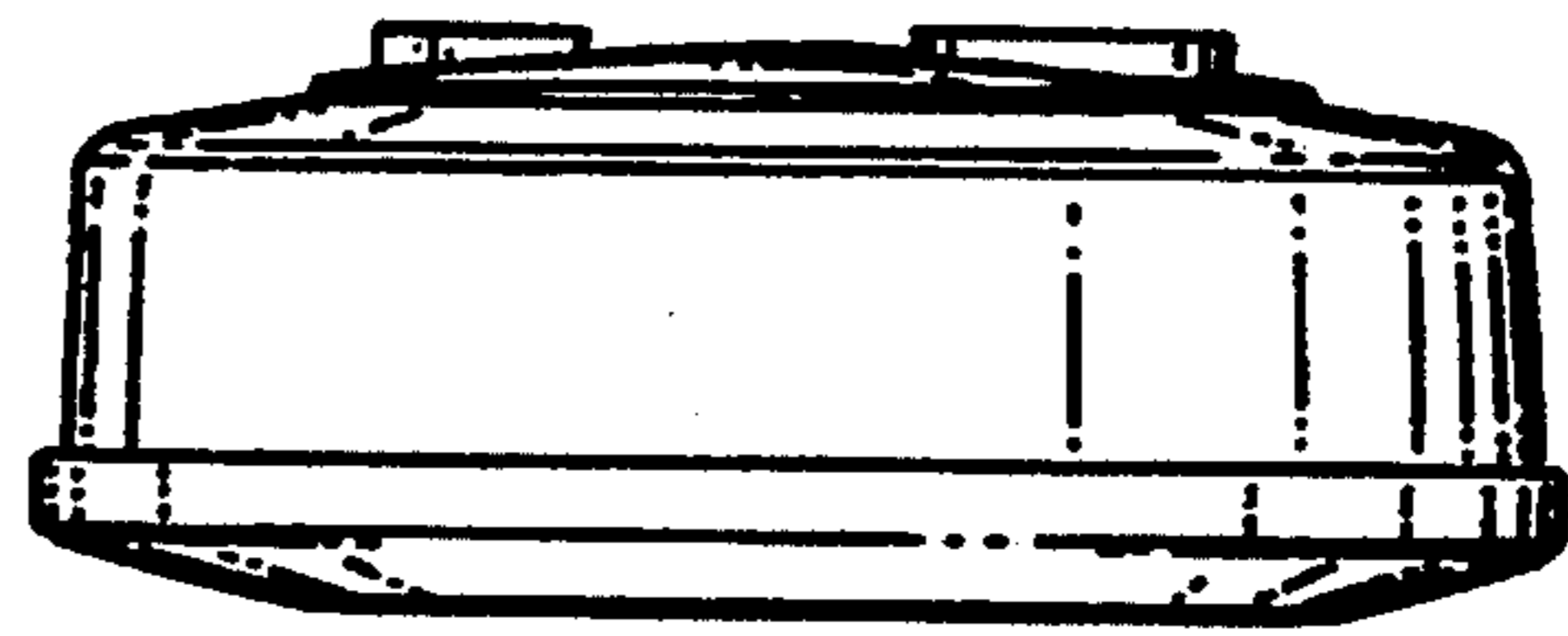


FIG. 4.

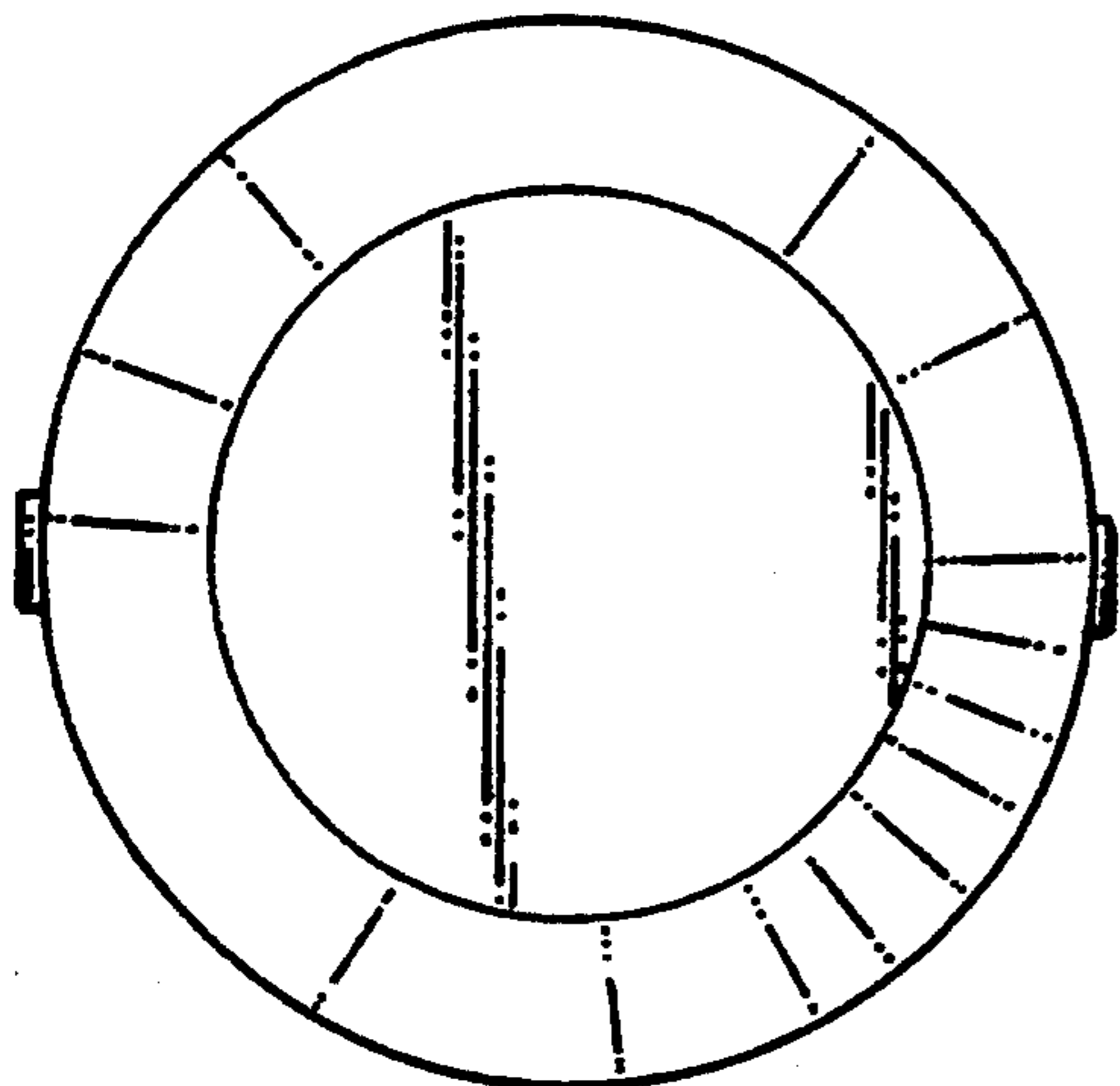


FIG. 6.

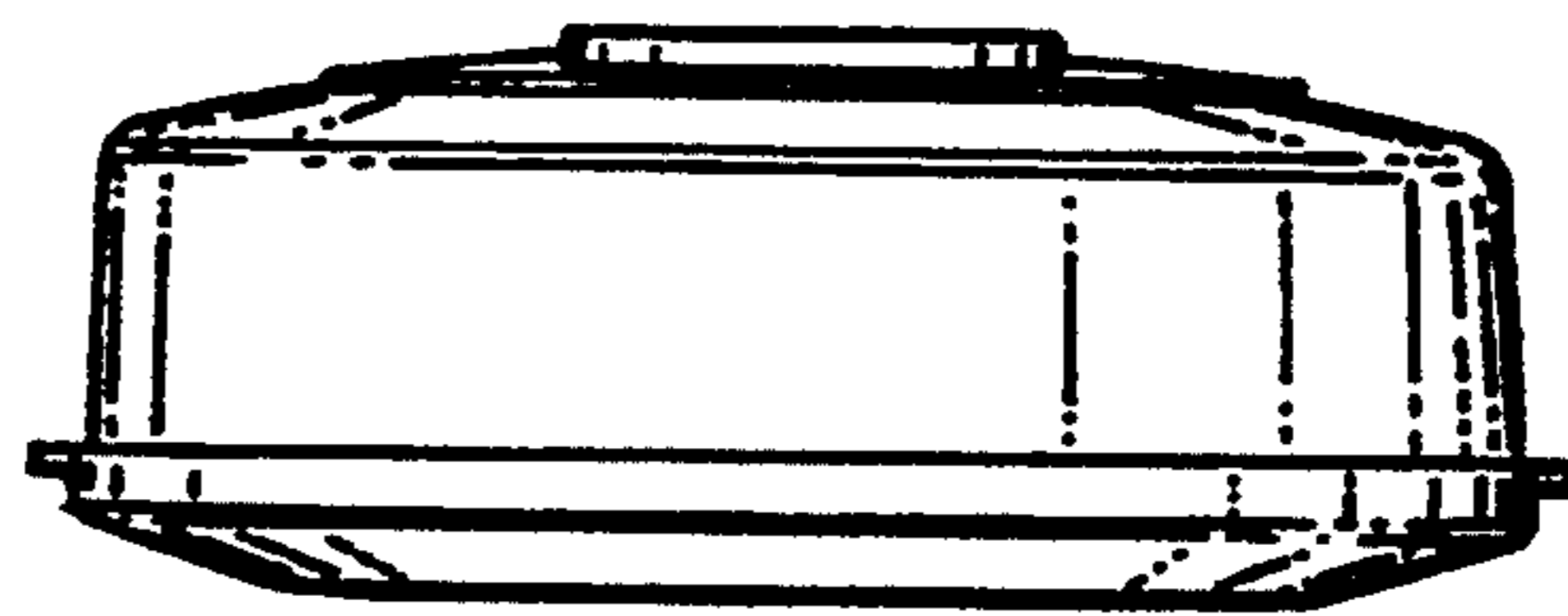


FIG. 5.