



US00D354677S

United States Patent [19]

[11] Patent Number: **Des. 354,677**

Troyer

[45] Date of Patent: **** Jan. 24, 1995**

[54] **CLIP FOR A FLASHLIGHT**

[76] Inventor: **Larry D. Troyer, 457 Troyer Ct.,
Wooster, Ohio 44691-3657**

[**] Term: **14 Years**

[21] Appl. No.: **8,960**

[22] Filed: **Jun. 1, 1993**

[52] U.S. Cl. **D8/396; D26/138**

[58] Field of Search **D26/138, 140; D8/394,
D8/395, 396; 248/225.31, 229, 230, 231, 231.6,
231.8, 309.1, 313, 316.1, 316.7; 362/190, 191,
396; 24/343, 543, 563, 455**

2,589,126 3/1952 Payne 24/343 X
 3,067,322 12/1962 Sala 240/6.4
 3,069,539 12/1962 Kidd 240/60
 3,249,271 5/1966 Allbritton 224/25
 3,769,663 11/1973 Perl 362/191
 4,406,040 9/1983 Cannone 24/3 J
 4,967,323 10/1990 Johnson et al. 362/103
 5,008,785 4/1991 Maglica et al. 362/183

Primary Examiner—Susan J. Lucas
Assistant Examiner—Cynthia Ramirez
Attorney, Agent, or Firm—Renner, Kenner, Greive,
 Bobak, Taylor & Weber

[56] **References Cited**

U.S. PATENT DOCUMENTS

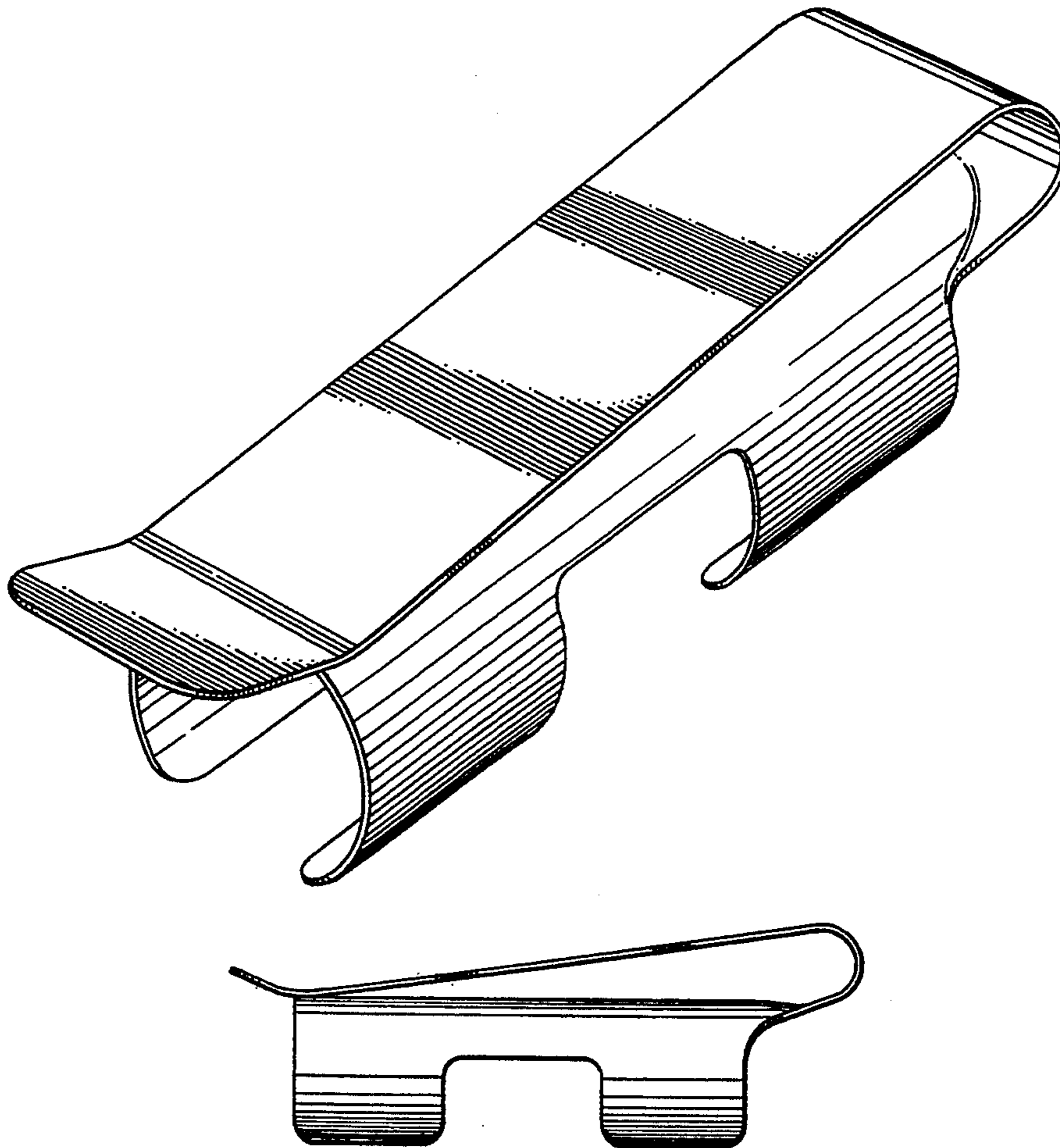
D. 50,607 4/1917 Carter D8/395
 D. 244,907 7/1977 Link D8/395
 D. 281,393 11/1985 Karnhag et al. D8/396
 D. 298,739 11/1988 Richards, Jr. D8/395
 475,286 5/1892 Moore .
 811,090 1/1906 Ritchie 24/343
 1,222,458 4/1917 Peterson 248/316.7
 1,269,904 6/1918 Cathrill 362/105
 2,136,855 11/1938 Lancaster 240/52.5
 2,524,881 10/1950 Chambers 240/10.6

[57] **CLAIM**

The ornamental design for a clip for a flashlight, as shown and described.

DESCRIPTION

FIG. 1 is a perspective view of a clip for a flashlight embodying my new design;
 FIG. 2 is a top plan view thereof;
 FIG. 3 is a bottom plan view thereof;
 FIG. 4 is a side elevational view thereof, the other side being a mirror image of FIG. 4;
 FIG. 5 is a front elevational view thereof; and,
 FIG. 6 is a rear elevational view thereof.



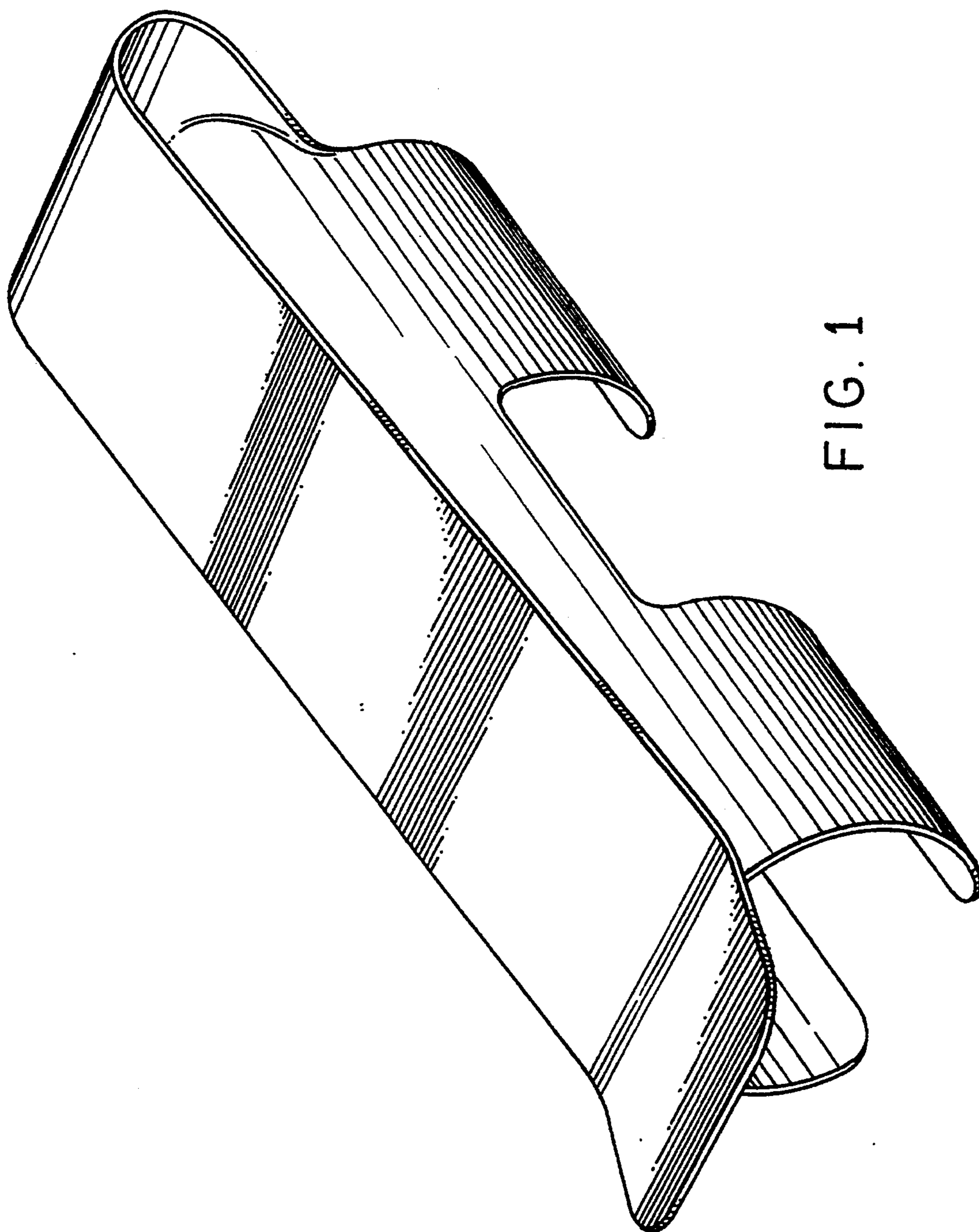


FIG. 1

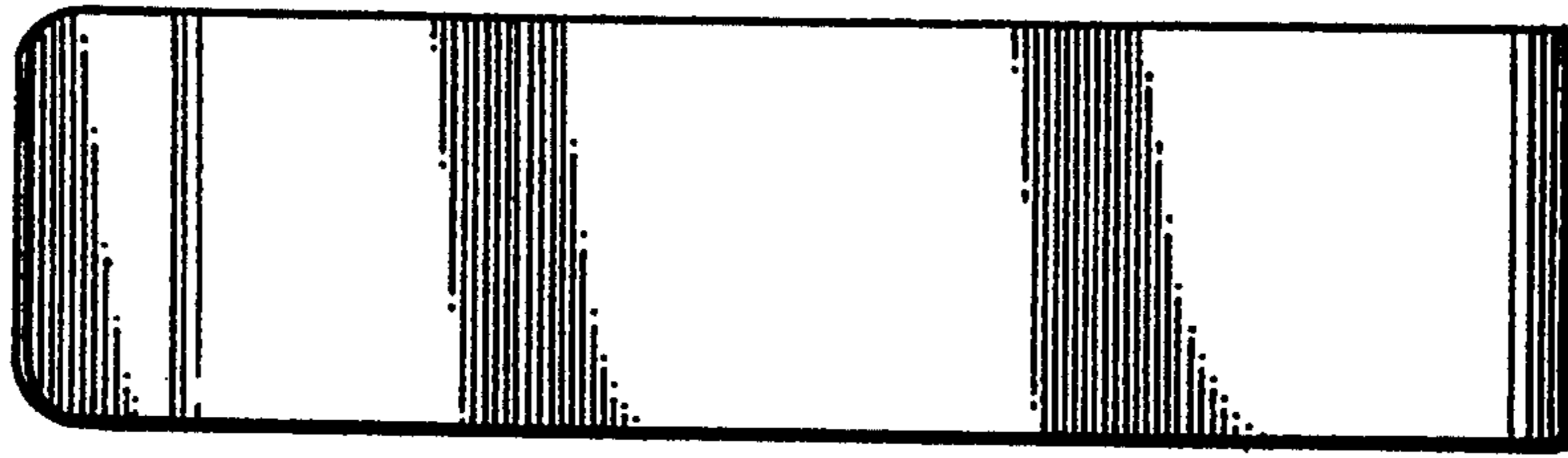


FIG. 2

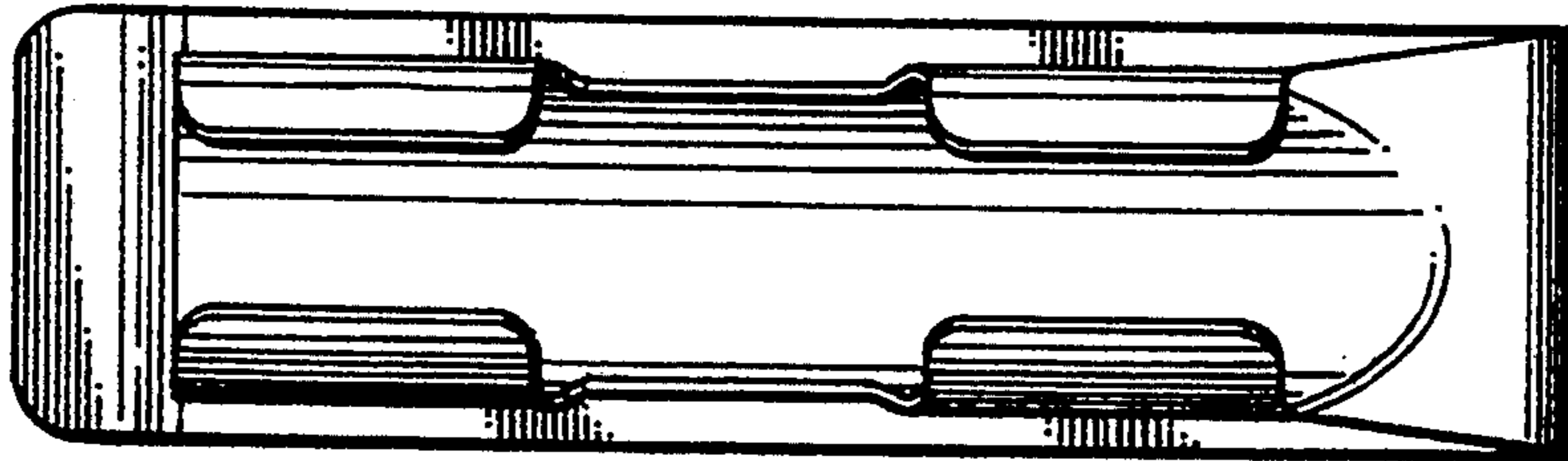


FIG. 3

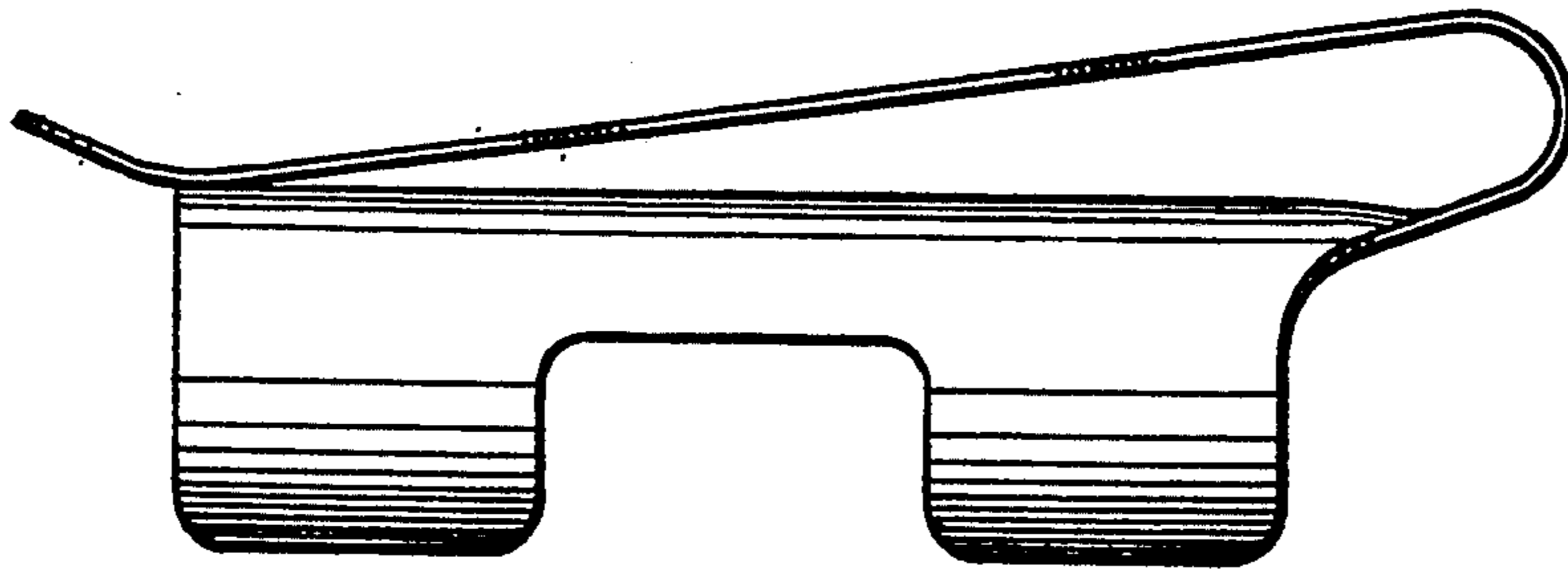


FIG. 4

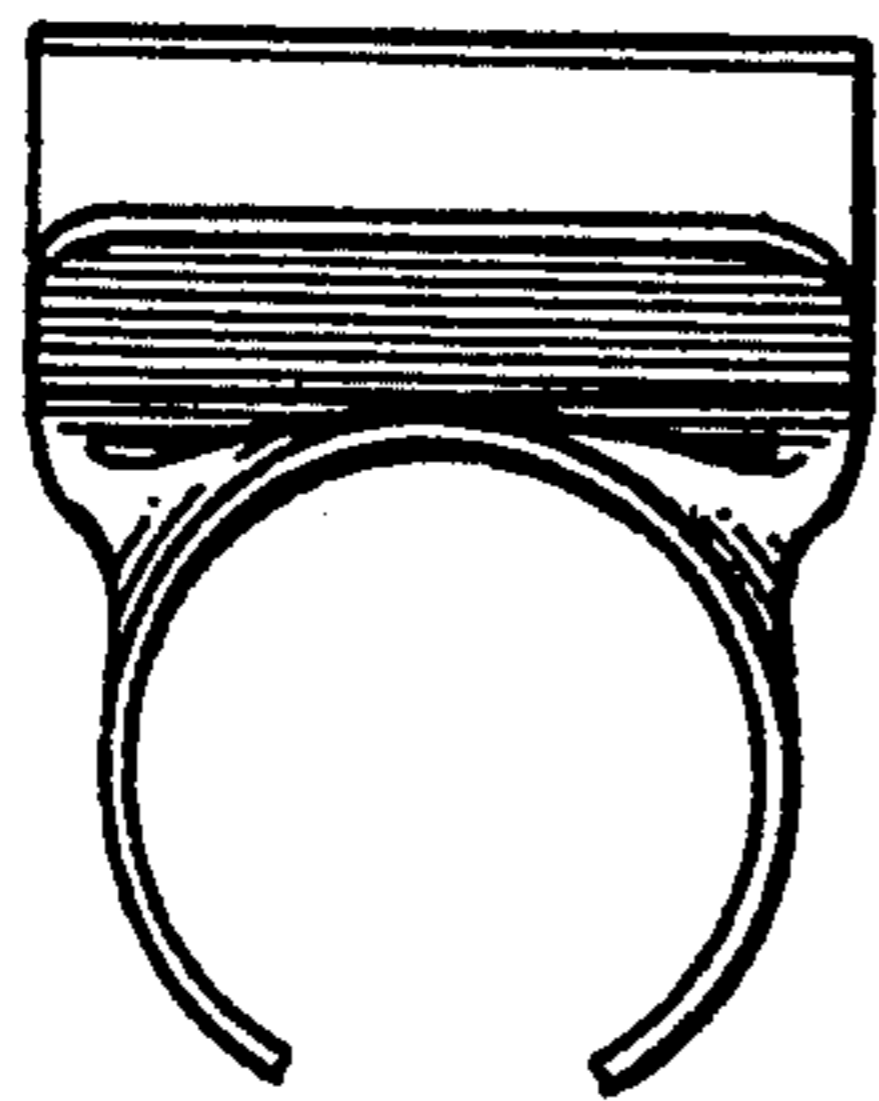


FIG. 5

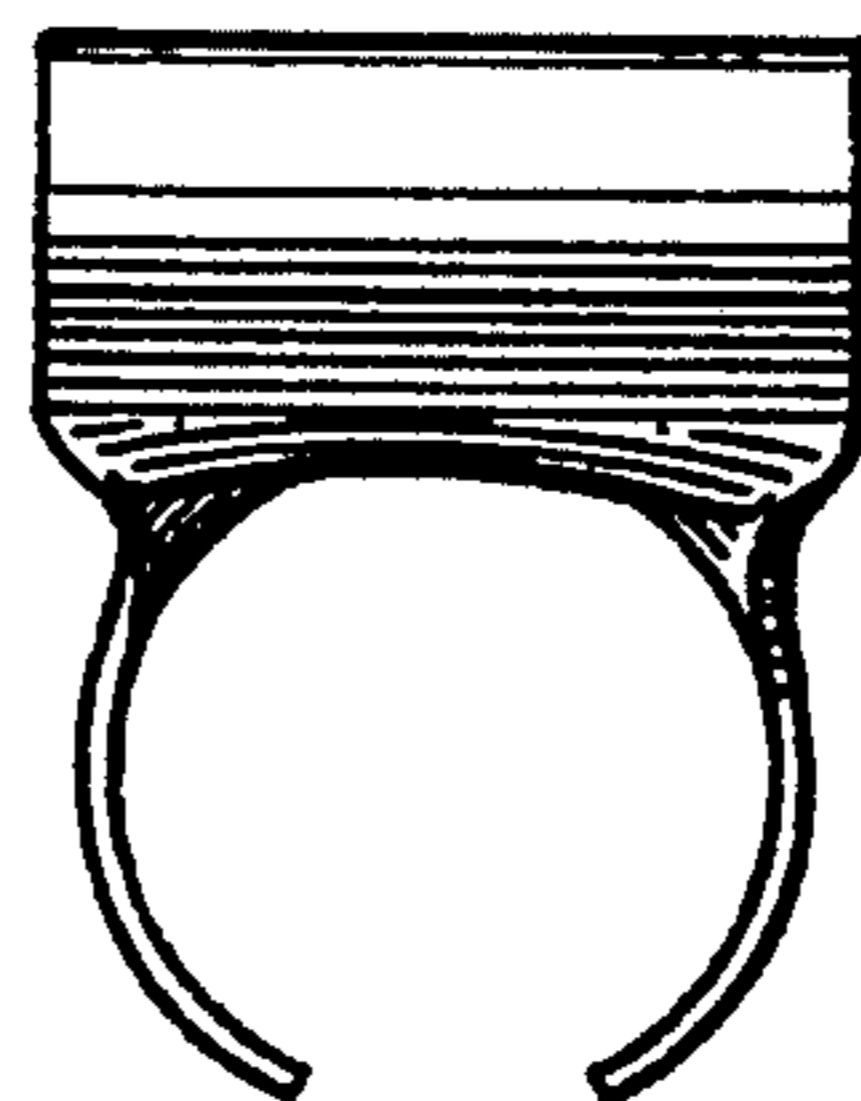


FIG. 6