



US00D354673S

United States Patent [19]

[11] Patent Number: **Des. 354,673**

Gavin

[45] Date of Patent: **** Jan. 24, 1995**

[54] **REBAR SPACER**

2215355 9/1989 United Kingdom 52/677

[76] Inventor: **Norman W. Gavin, 2545 Ridge Rd.,
N. Haven, Conn. 06511**

Primary Examiner—Wallace R. Burke
Assistant Examiner—H. Baynham
Attorney, Agent, or Firm—Robert A. Seemann

[**] Term: **14 Years**

[57] **CLAIM**

[21] Appl. No.: **8,073**

The ornamental design for a rebar spacer, as shown and described.

[22] Filed: **May 7, 1993**

[52] U.S. Cl. **D8/354**

DESCRIPTION

[58] Field of Search **D8/354; 52/677, 685-686,
52/693, 695**

FIG. 1 is an end view of a rebar spacer showing my new design;

[56] **References Cited**

U.S. PATENT DOCUMENTS

3,280,529 10/1966 Reuss 52/677
3,292,335 12/1966 Stober 52/677

FIG. 2 is a side view thereof;

FIG. 3 is a perspective view thereof;

FIG. 4 is a top plan view thereof;

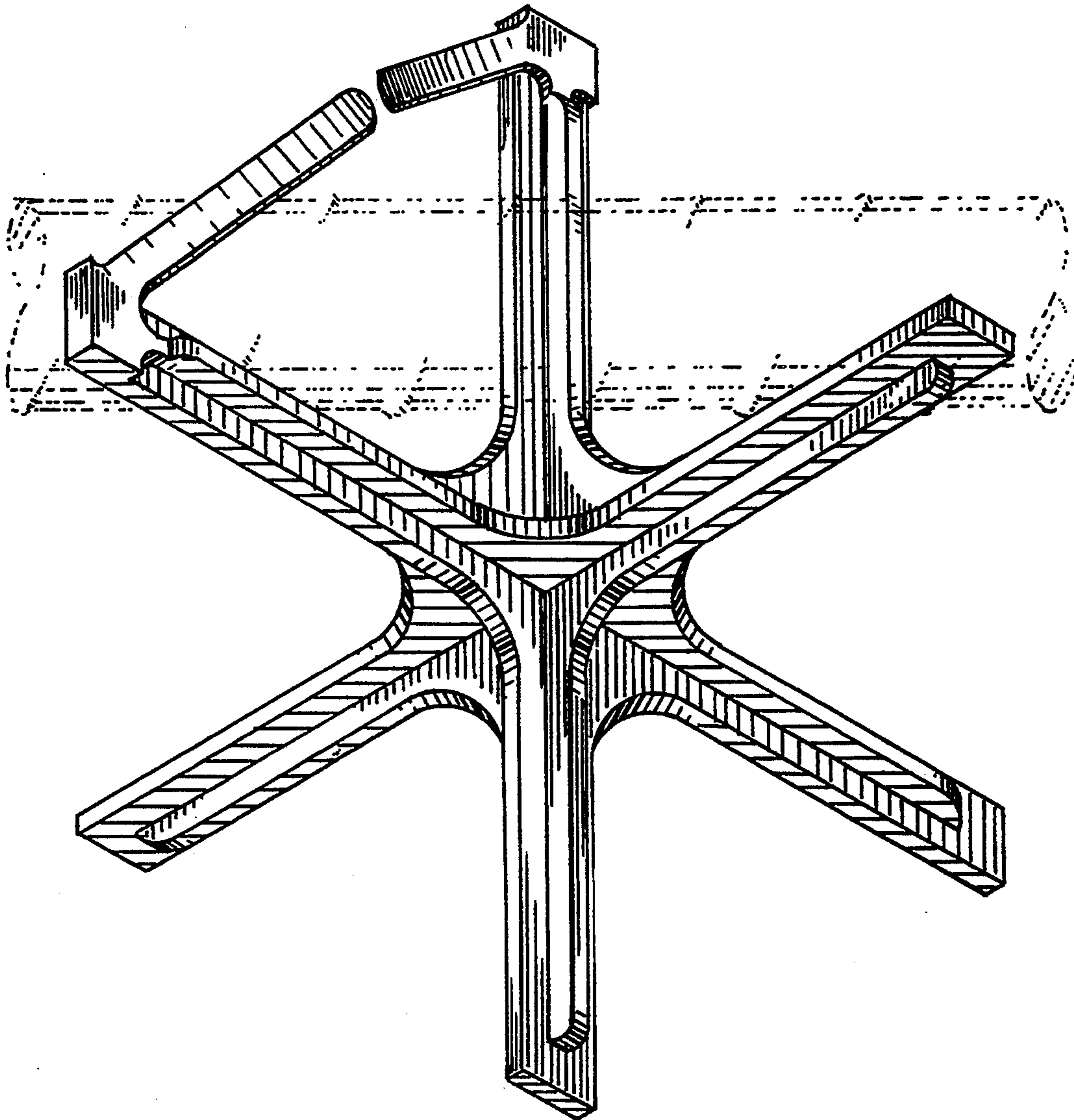
FIG. 5 is a 45 degree rotated side view thereof; and,

FIG. 6 is a right side, end perspective view thereof.

FOREIGN PATENT DOCUMENTS

1375489 9/1964 France 52/677

The broken line showing of reinforcement bar is for illustrative purposes only and forms no part of the claimed design.



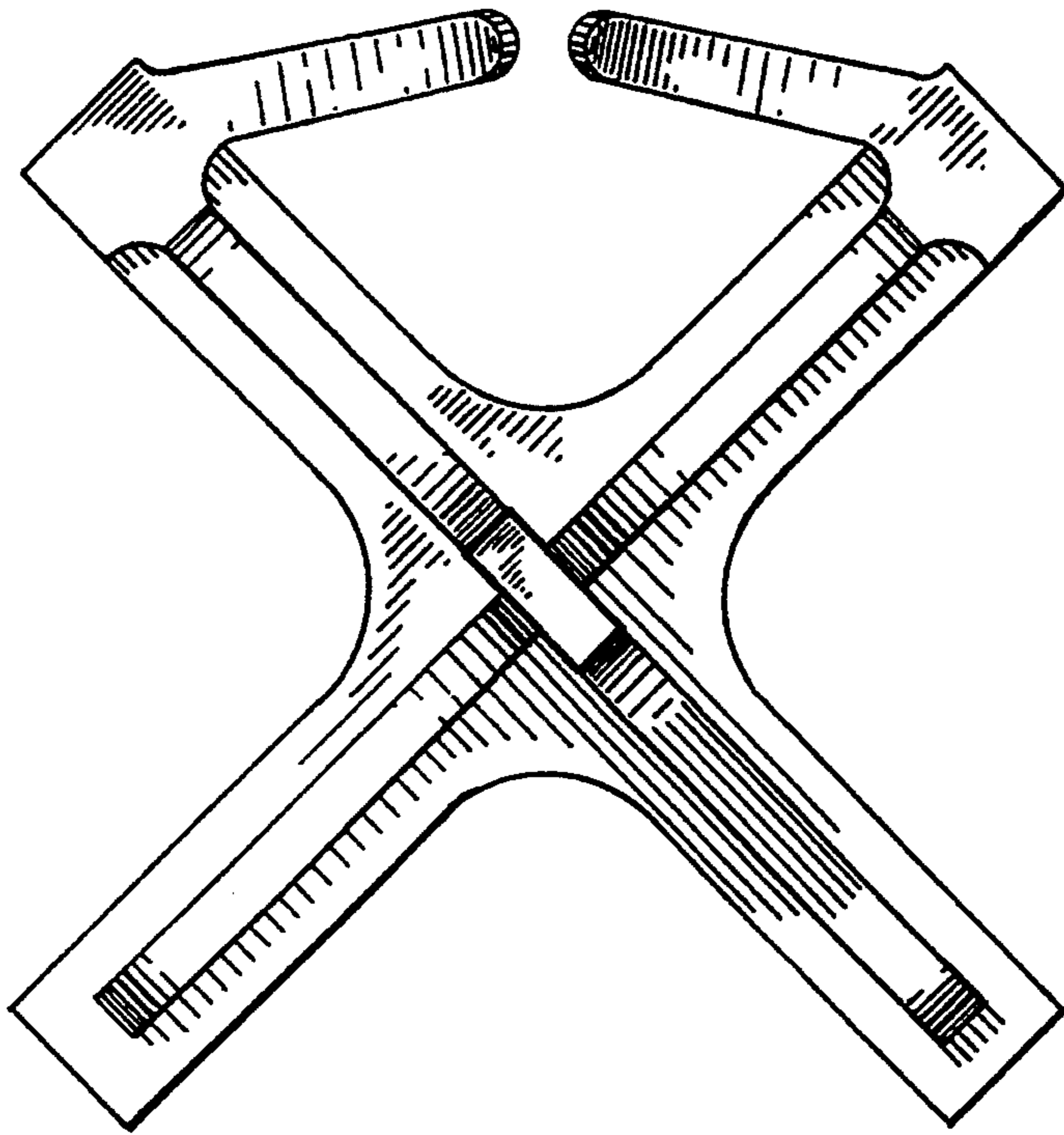


FIG. 1

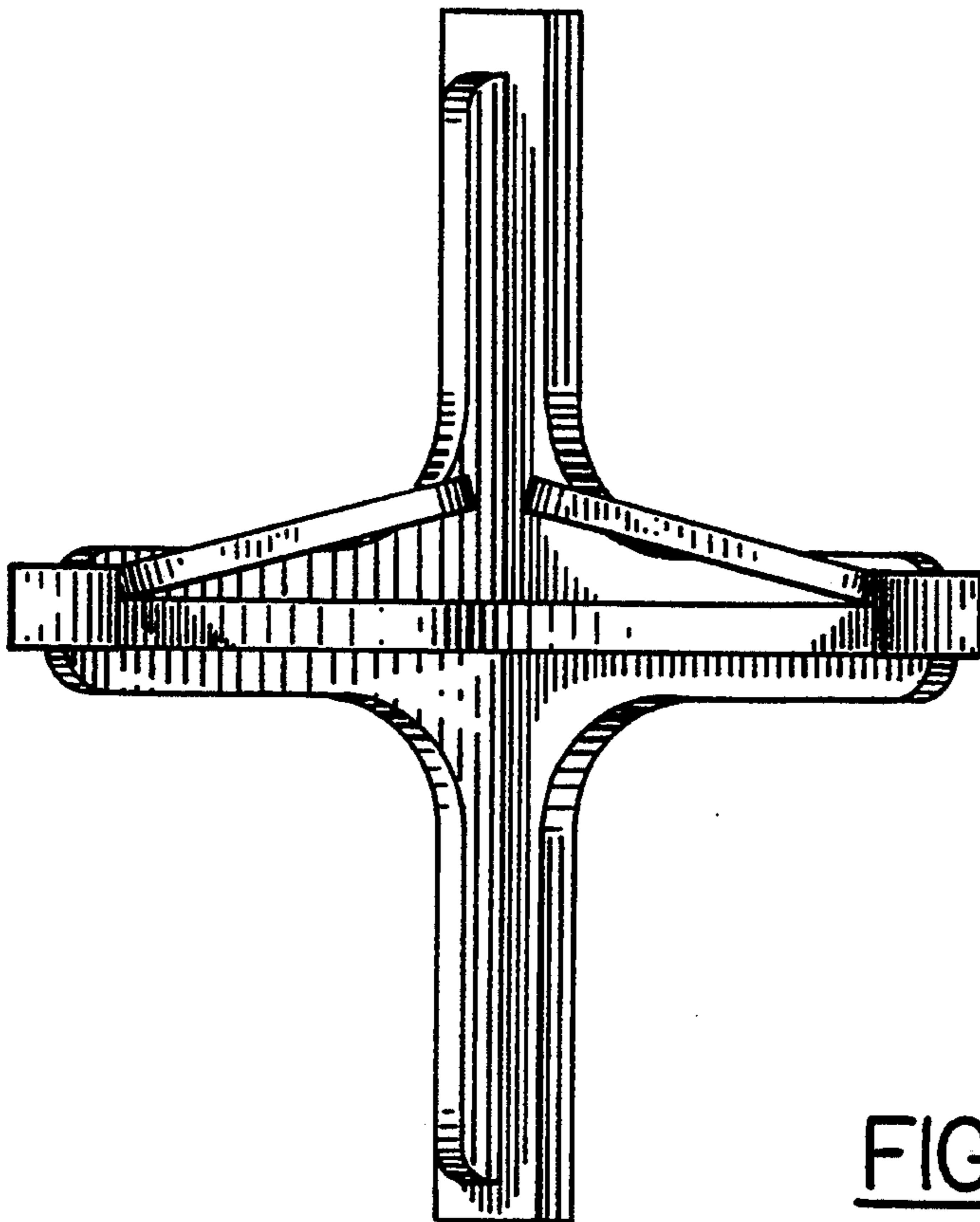


FIG. 2

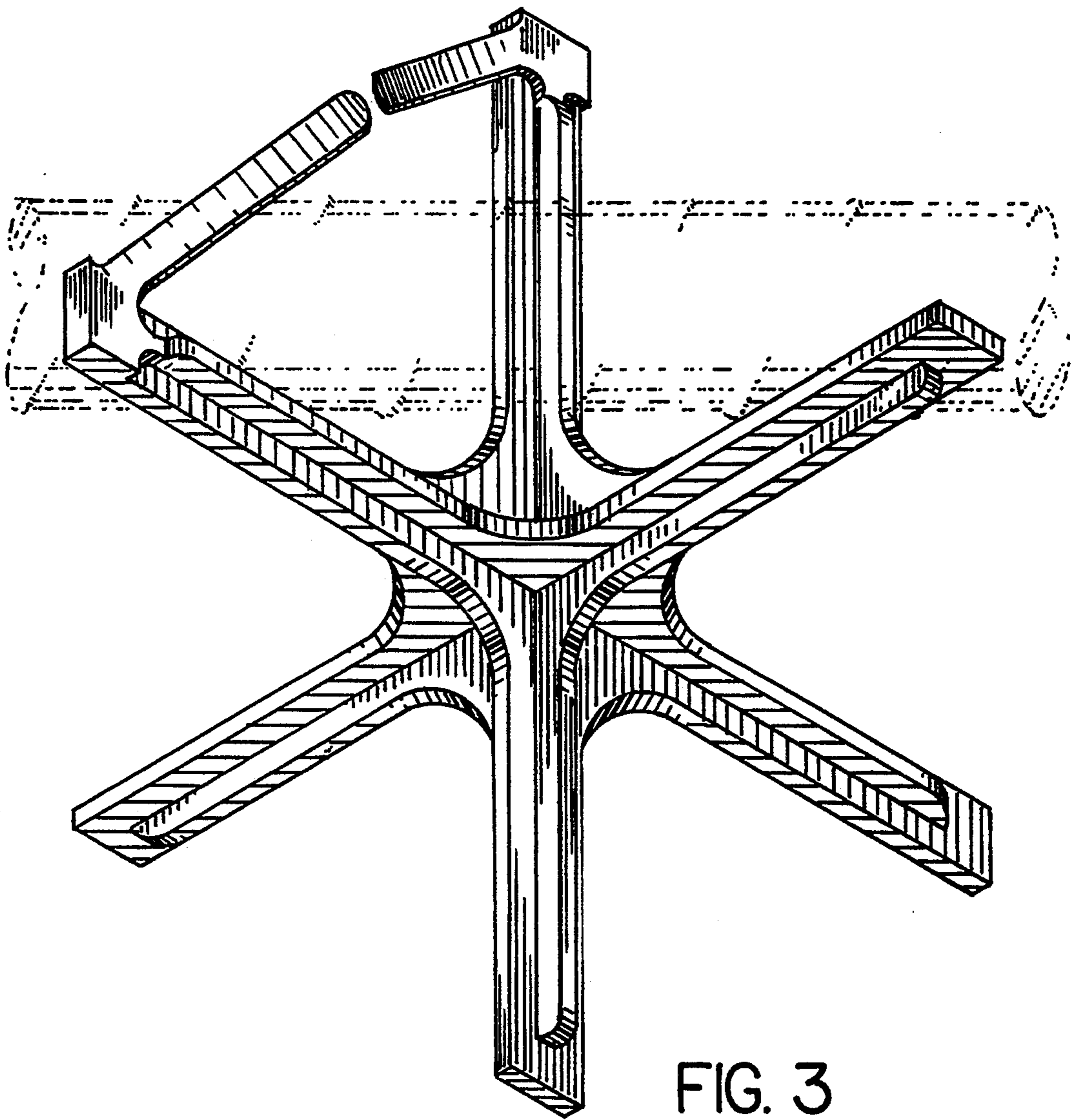


FIG. 3

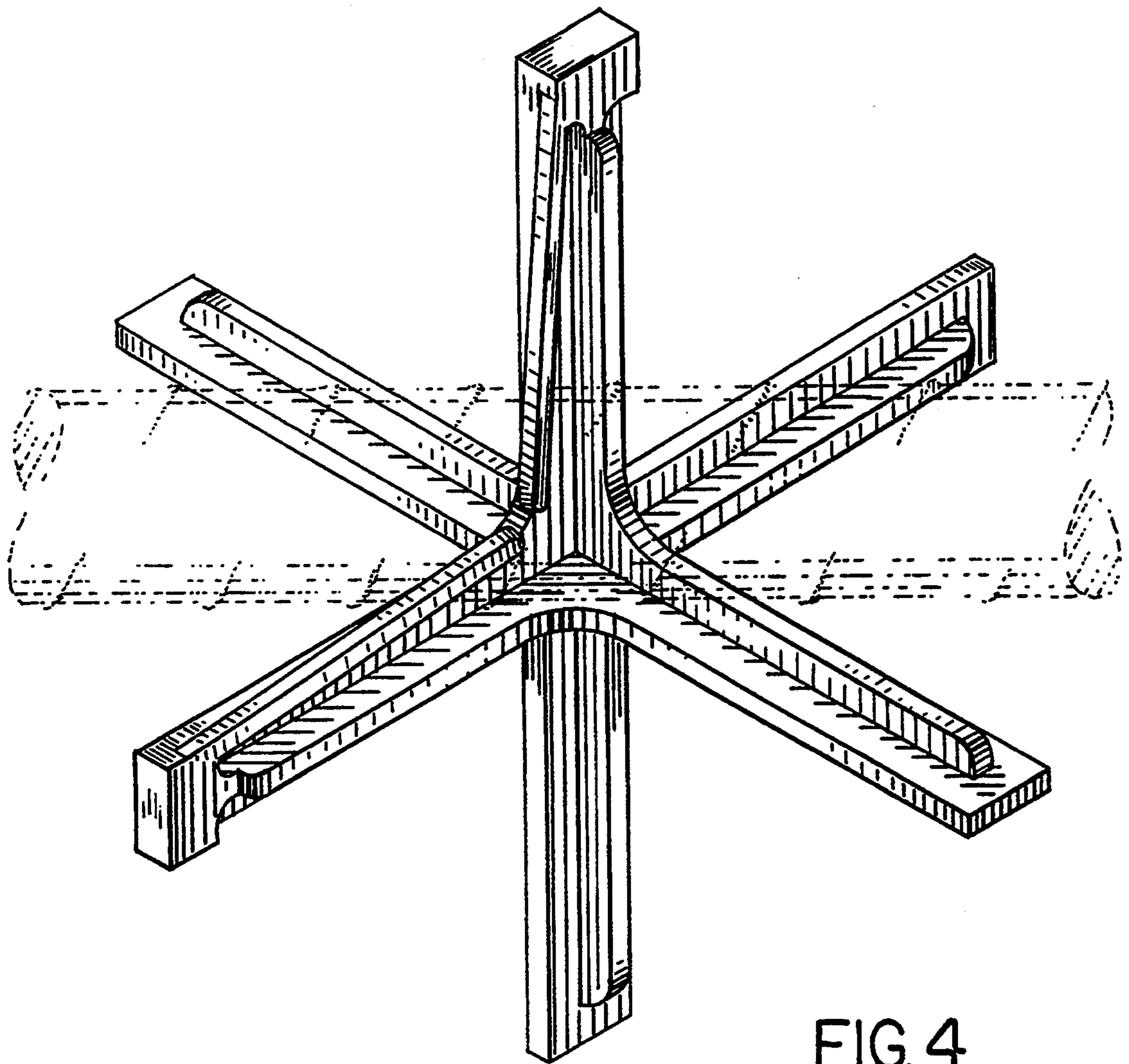


FIG. 4

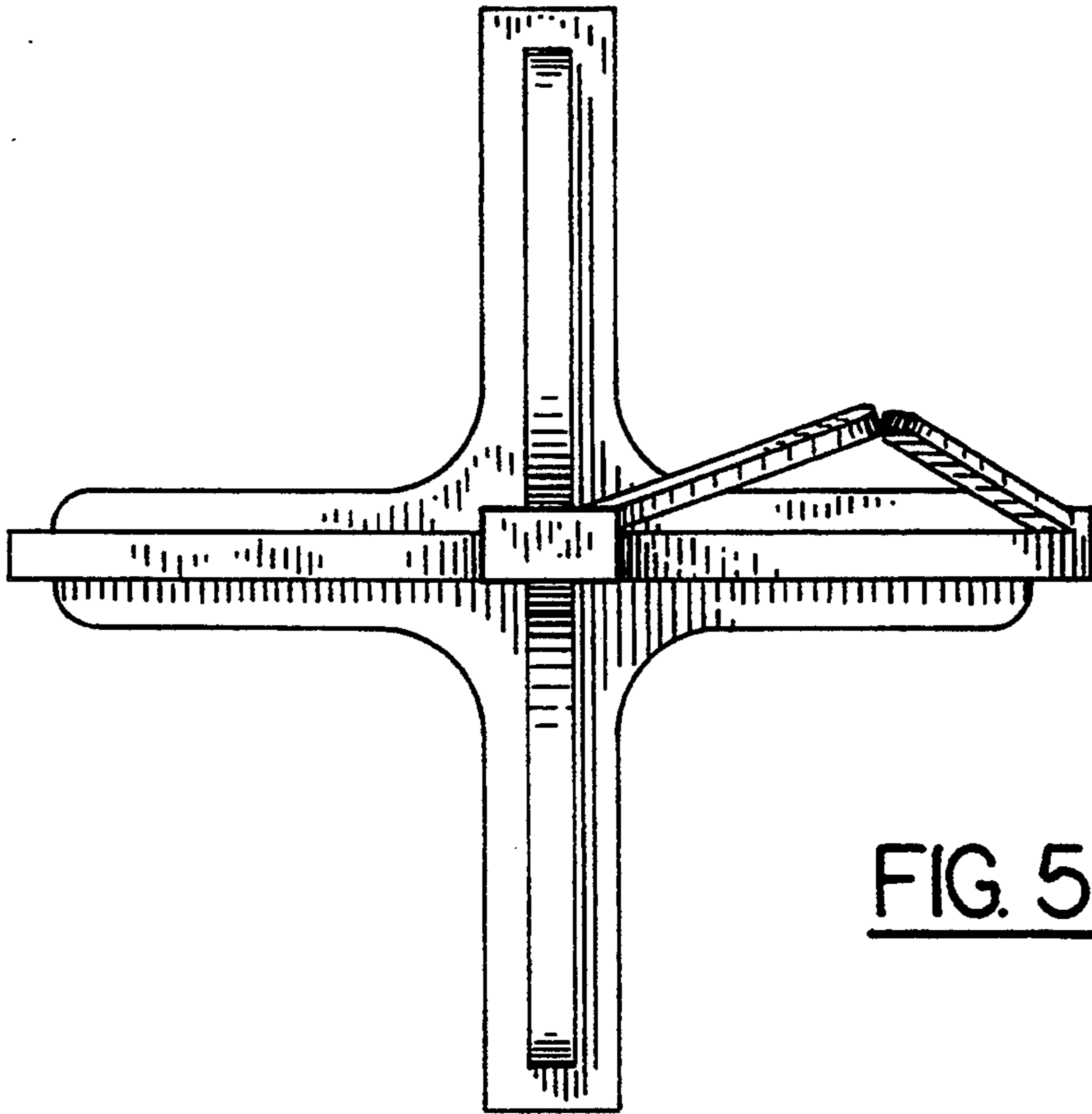


FIG. 5

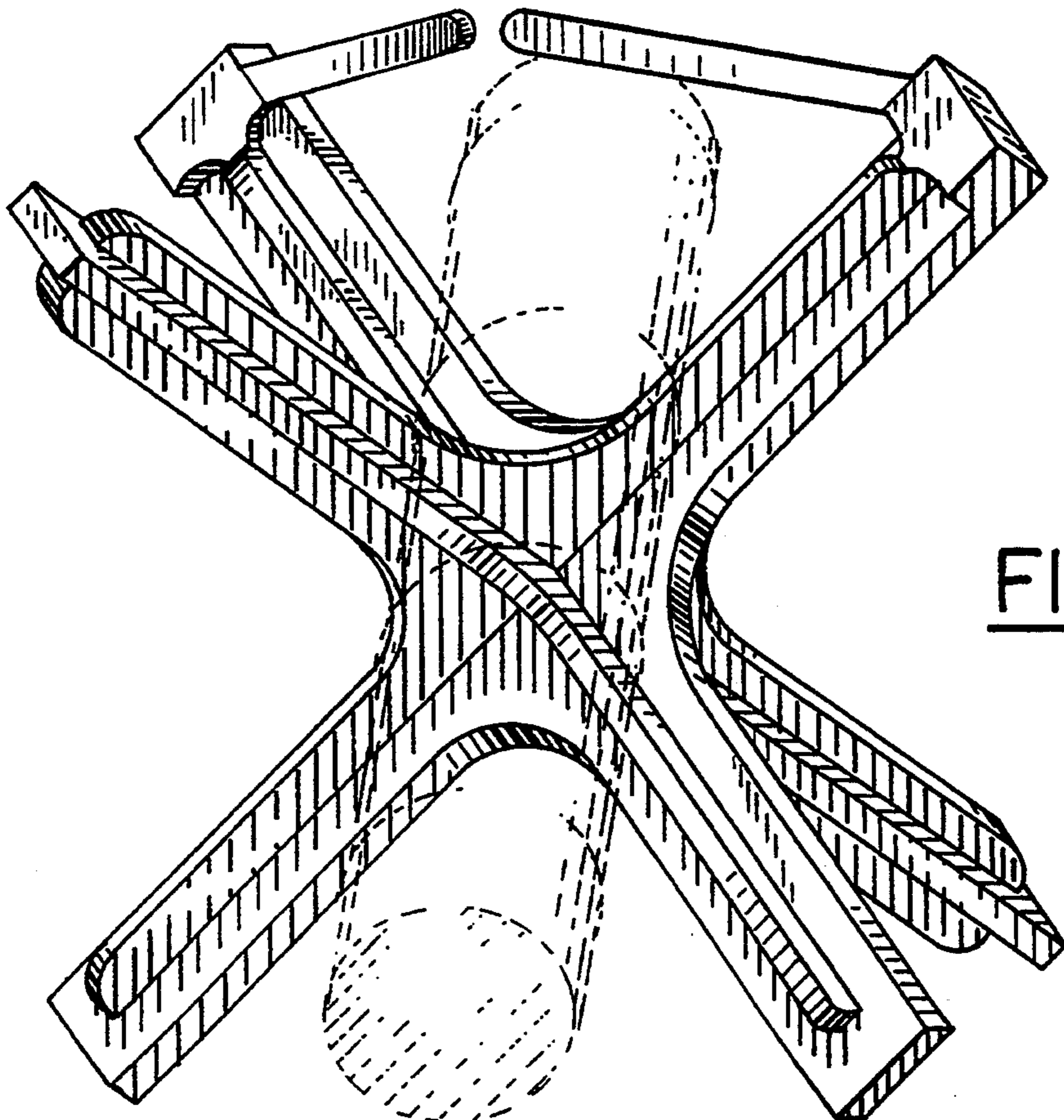


FIG. 6