



US00D354667S

United States Patent [19]
Rundell

[11] **Patent Number: Des. 354,667**

[45] **Date of Patent: ** Jan. 24, 1995**

[54] **COMBINED KNIFE HANDLE AND HOLDER**

[76] **Inventor: Joseph D. Rundell, 6198 W. Frances Rd., Clio, Mich. 48420**

[**] **Term: 14 Years**

[21] **Appl. No.: 915,535**

[22] **Filed: Jul. 20, 1992**

[52] **U.S. Cl. D8/98**

[58] **Field of Search D8/98, 99; D22/118; 30/156, 151, 161, 163**

[56] **References Cited**

U.S. PATENT DOCUMENTS

D. 172,723	7/1954	Polk	D8/99
D. 172,725	7/1954	Polk	D8/99
D. 172,726	7/1954	Polk	D8/99
D. 218,729	9/1970	Laughlin	D8/99
D. 223,401	4/1972	Meisner	D8/99
4,389,775	6/1983	Collins	30/156
4,481,712	11/1984	Phelps	30/156

OTHER PUBLICATIONS

The Cristy Knife Advertisement, Sep. 1949, p. 48, Knives in Boxes.

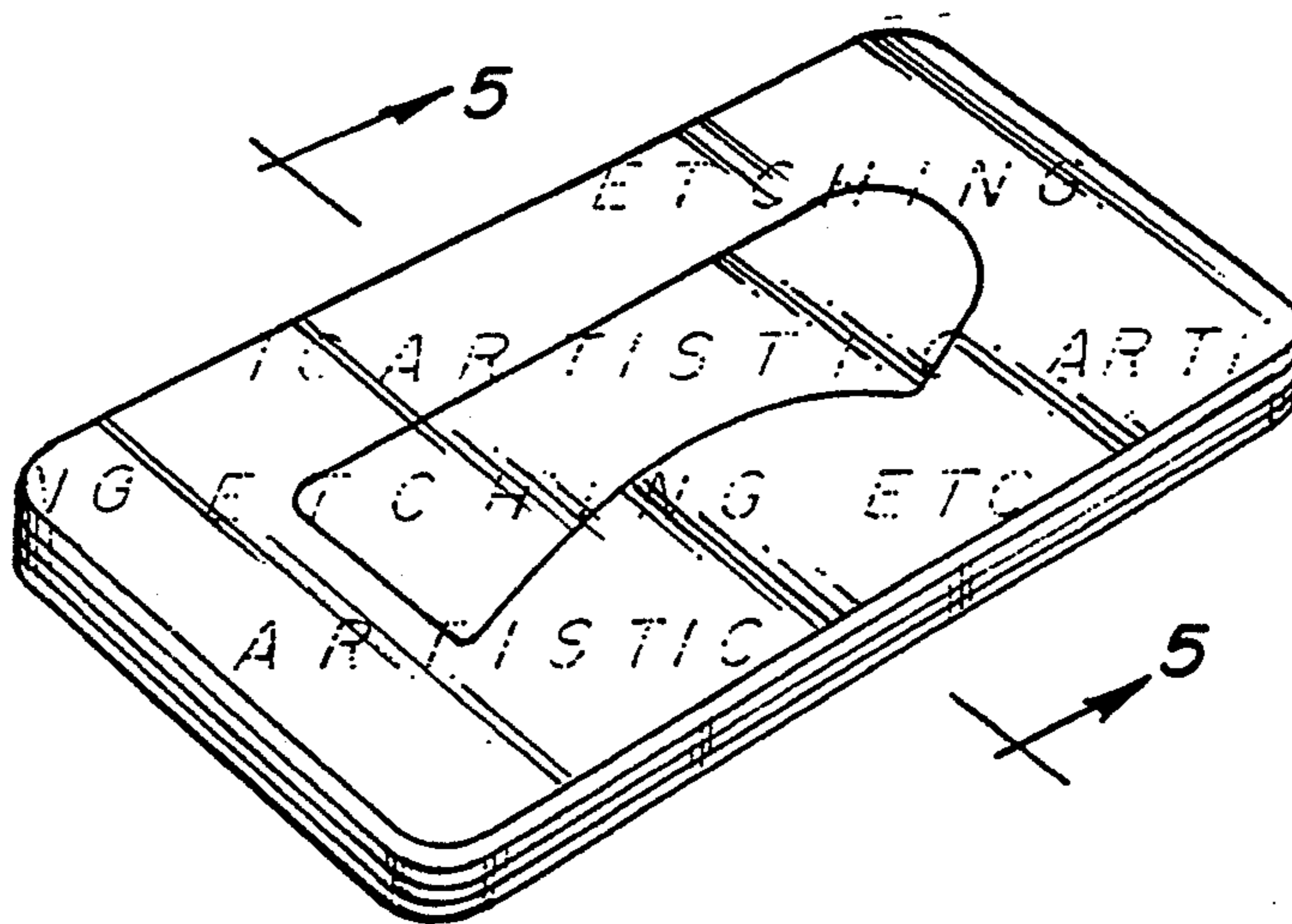
Primary Examiner—Bernard Ansher
Assistant Examiner—Philip Hyder
Attorney, Agent, or Firm—Gifford, Groh, Sprinkle, Patmore and Anderson

[57] **CLAIM**

The ornamental design for a combined knife handle and holder, as shown.

DESCRIPTION

FIG. 1 is a perspective view of a combined knife handle and holder showing my new design;
FIG. 2 is an exploded perspective view showing the front side of the knife out of the holder and the top and the bottom layers of the holder;
FIG. 3 is a side view thereof;
FIG. 4 is a bottom plan view thereof;
FIG. 5 is an enlarged cross section view taken along line 5—5 of FIG. 1; and,
FIG. 6 is a rear view of the knife handle, the top and bottom layers of the holder being omitted from the view for clarity of illustration.
The broken line showing of indicia is for illustrative purposes only and forms no part of the claimed design.



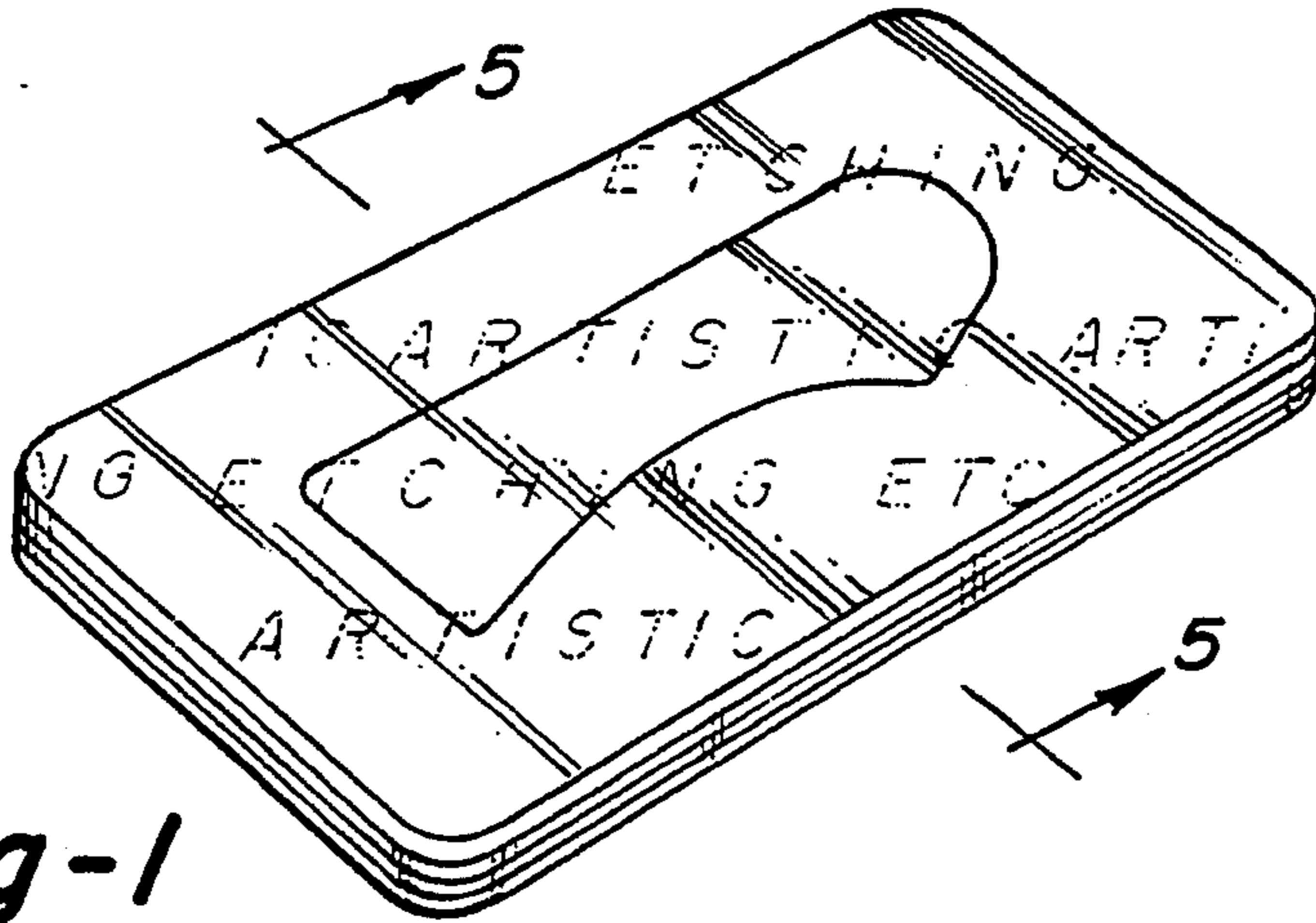


Fig-1

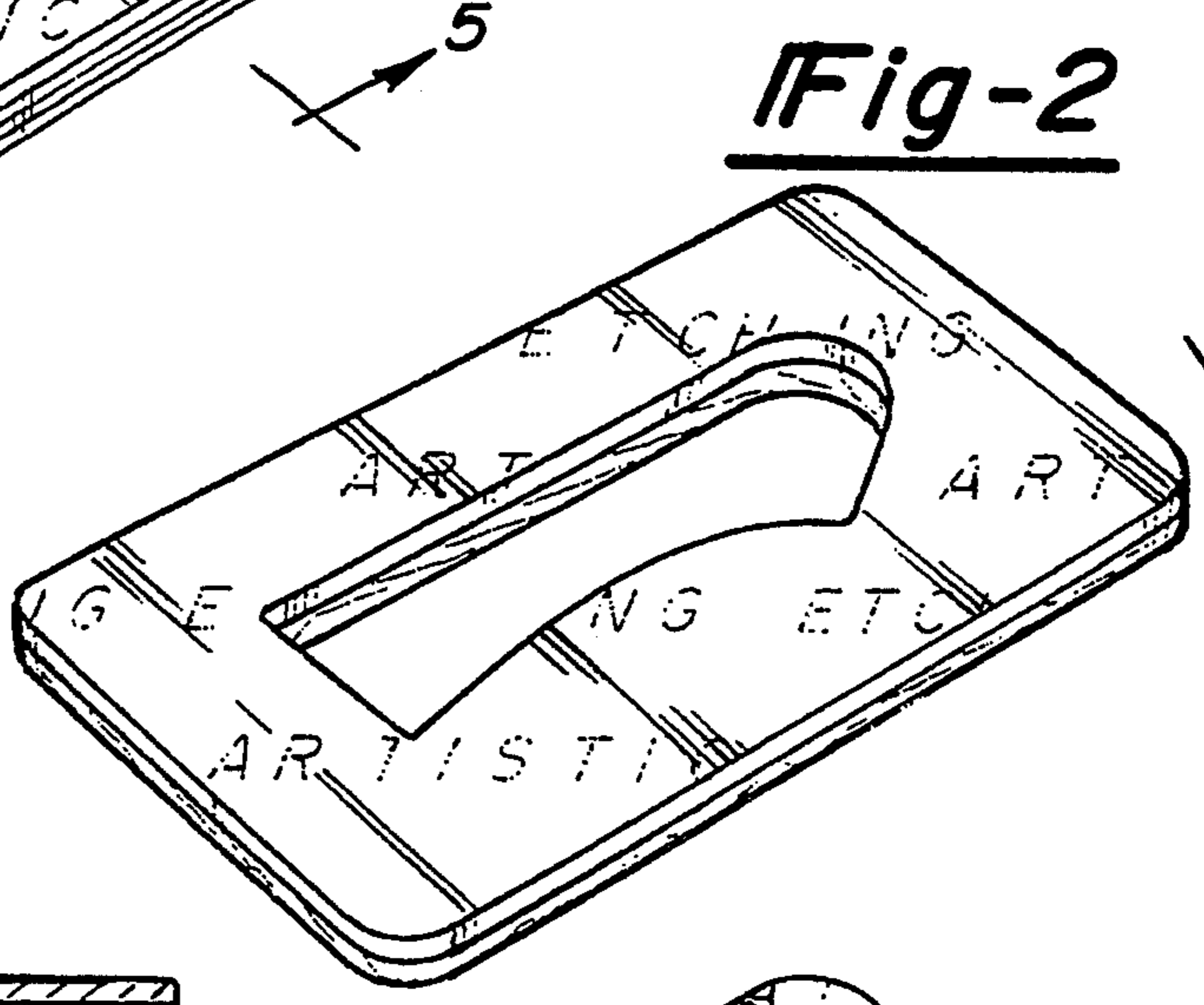


Fig-2

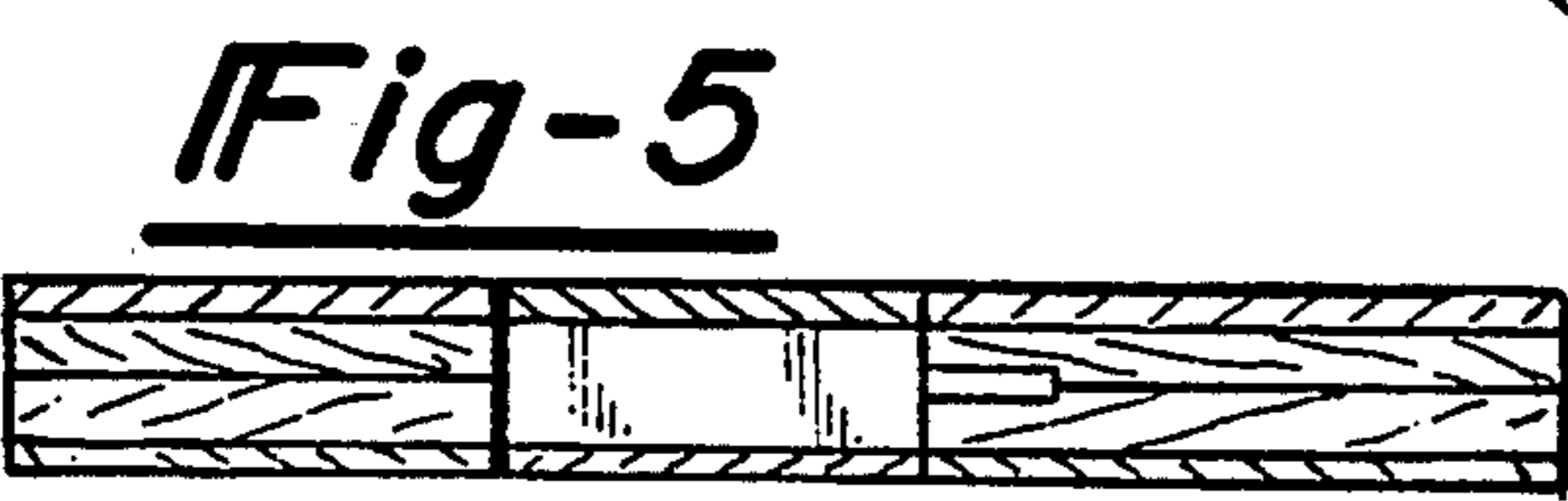


Fig-5

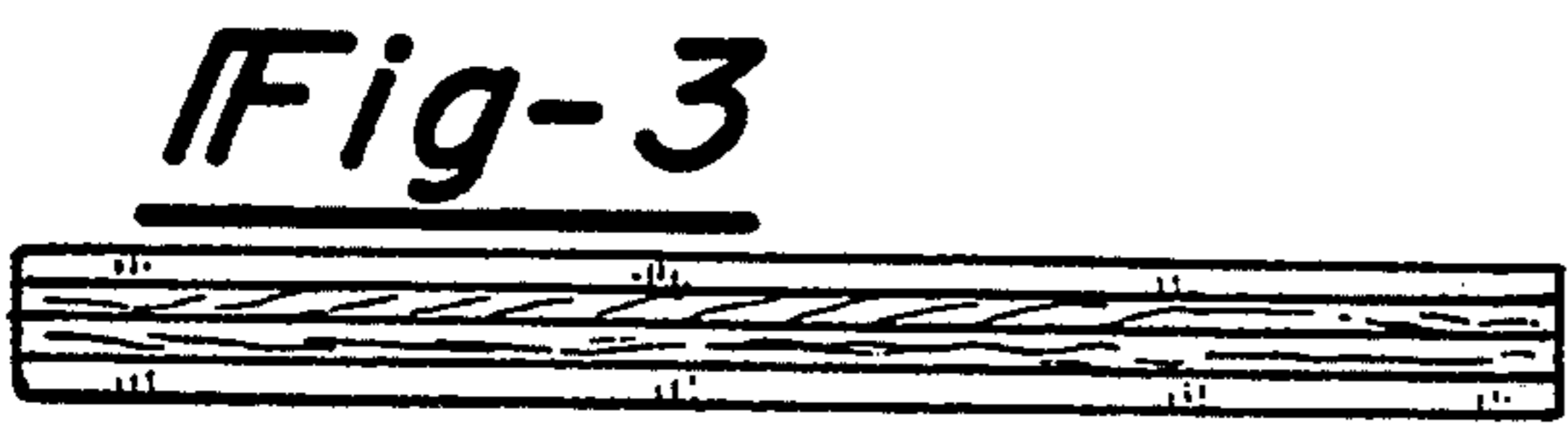


Fig-3

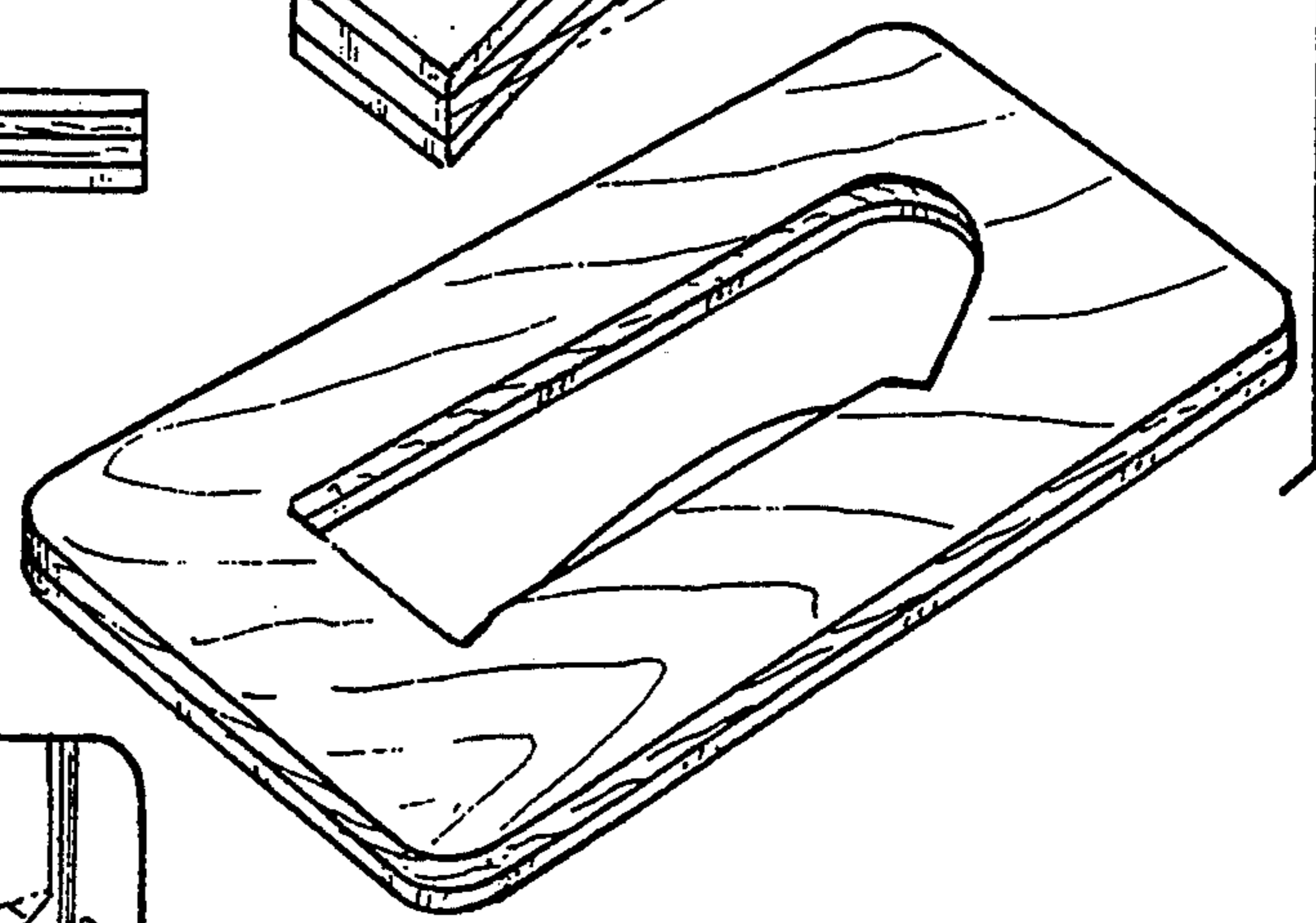
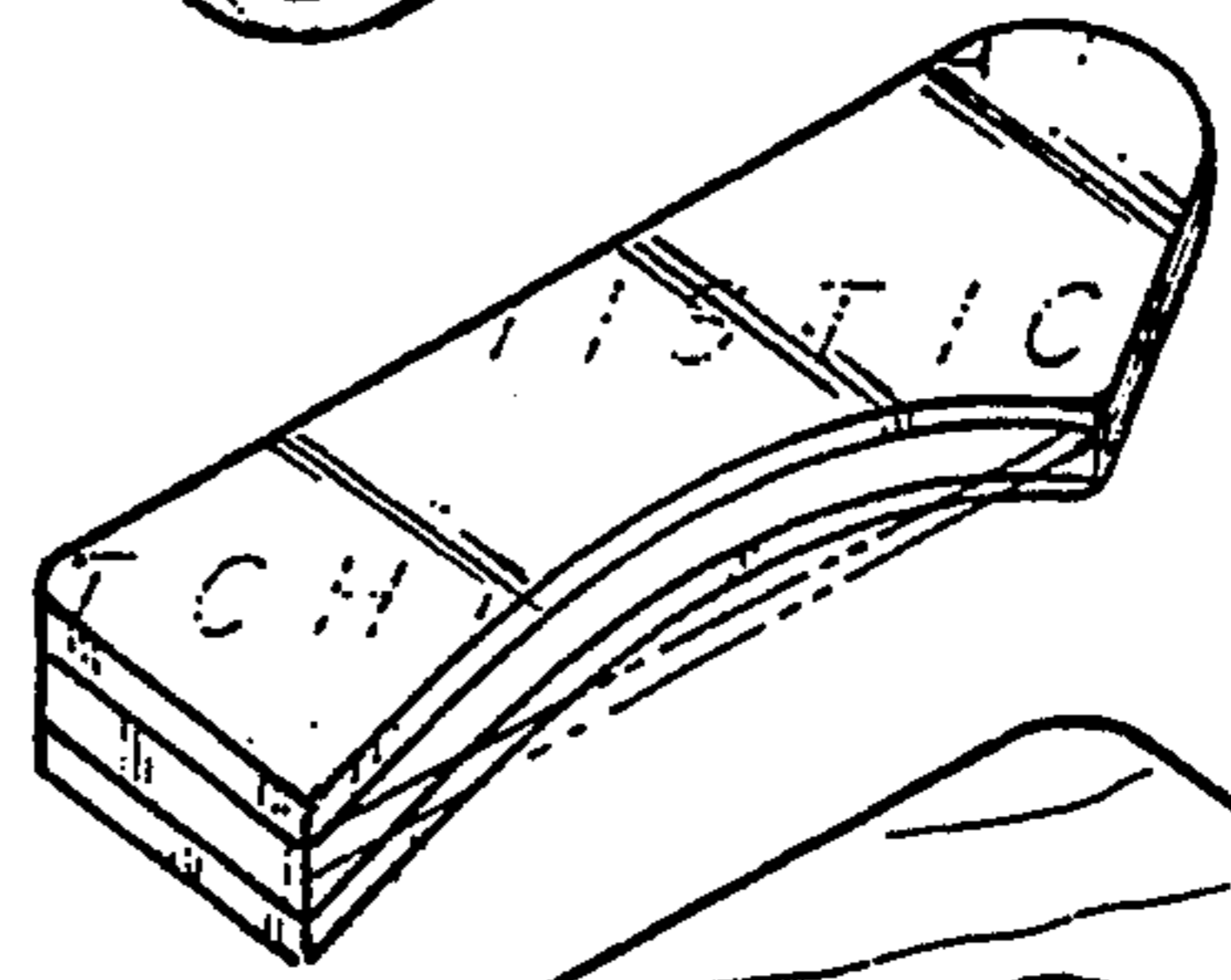


Fig-4

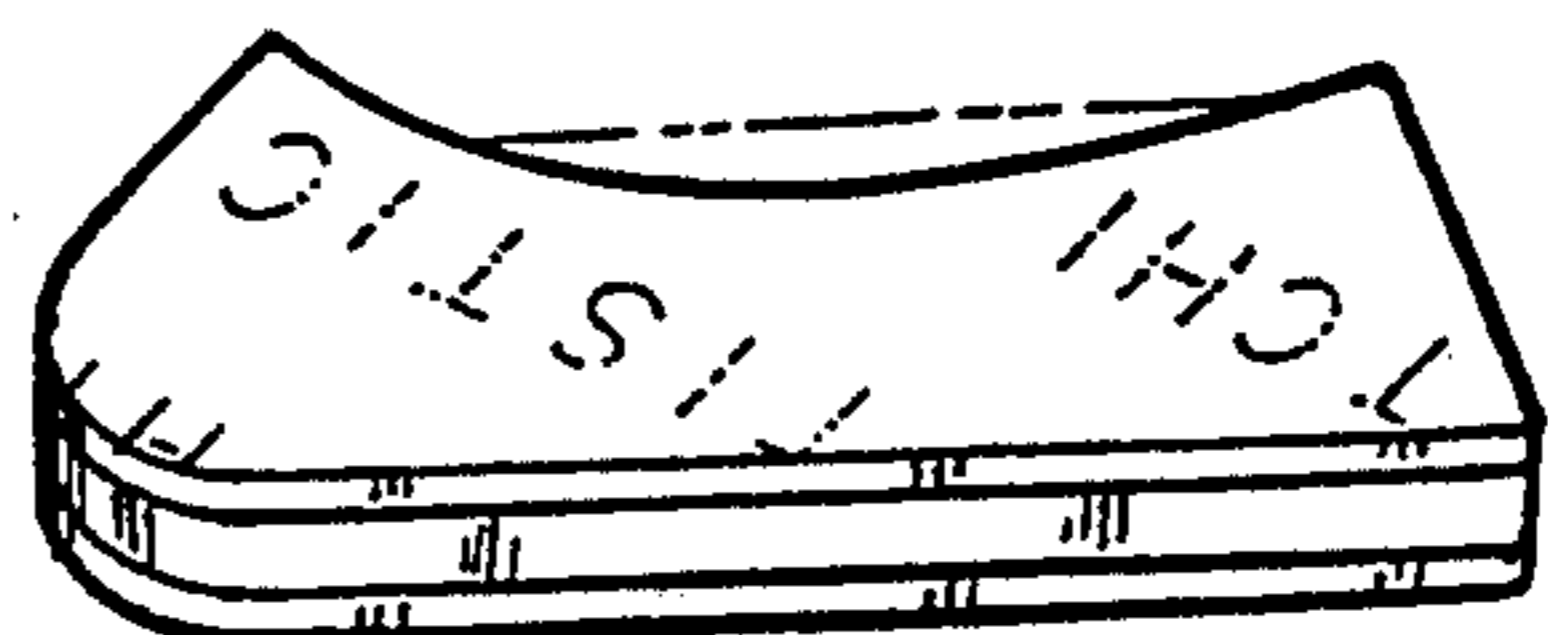
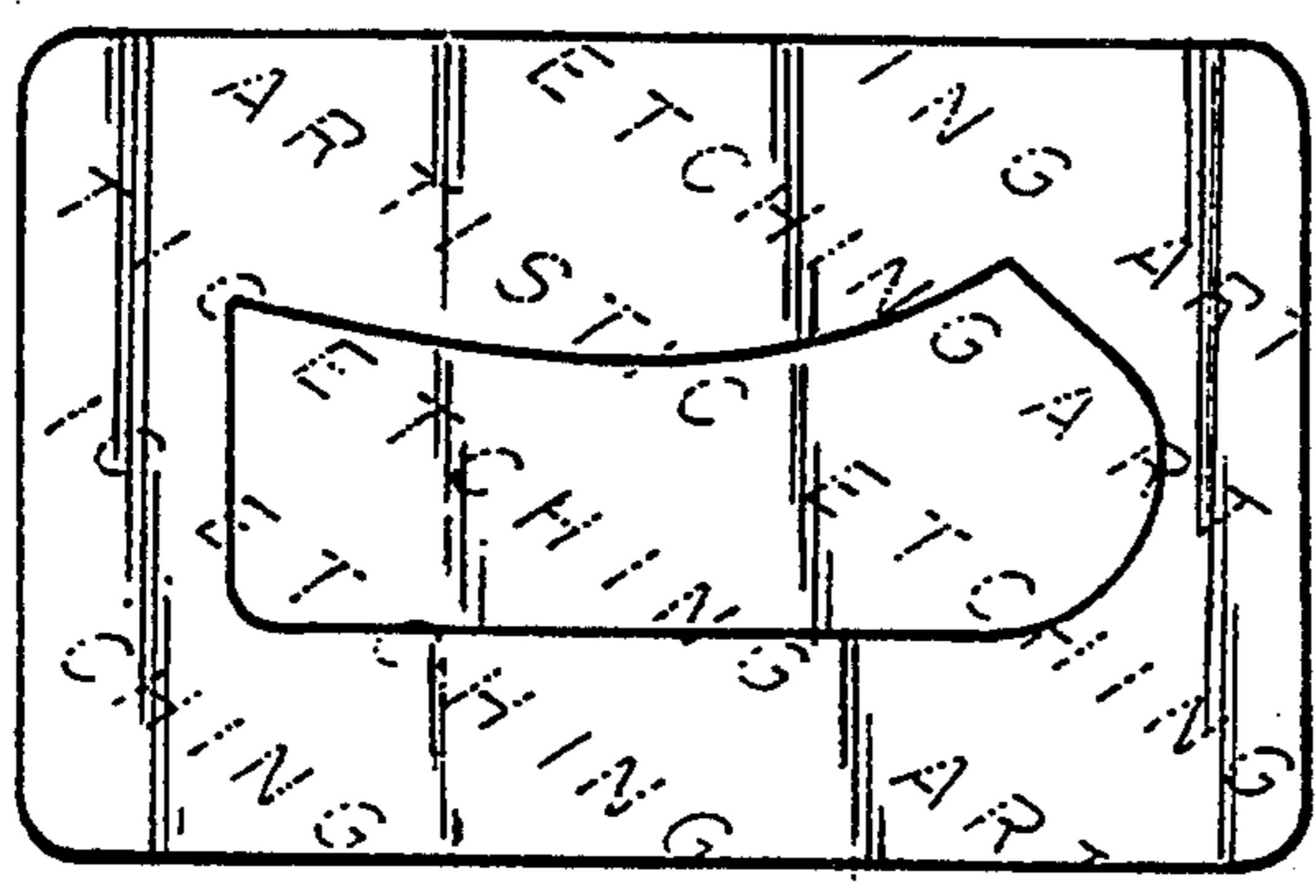


Fig-6