



US00D354666S

United States Patent [19] Kriebel

[11] Patent Number: **Des. 354,666**
[45] Date of Patent: **** Jan. 24, 1995**

[54] **DUSTLESS DRYWALL SANDER**
[76] Inventor: **Mark E. Kriebel, 991 Flanders Ave., Akron, Ohio 44314**
[**] Term: **14 Years**
[21] Appl. No.: **13,355**
[22] Filed: **Sep. 23, 1993**
[52] U.S. Cl. **D8/90**
[58] Field of Search **D8/14, 51, 90, 91, 92; 51/391, 392, 390, 180, 170, 273**

4,974,371 12/1990 Conboy 51/180
5,007,206 4/1991 Paterson 51/180
5,036,627 8/1991 Walters 51/180
5,193,313 3/1993 Sanchez et al. 51/392

Primary Examiner—Bernard Ansher
Assistant Examiner—Philip Hyder
Attorney, Agent, or Firm—Terry M. Gernstein

[57] CLAIM

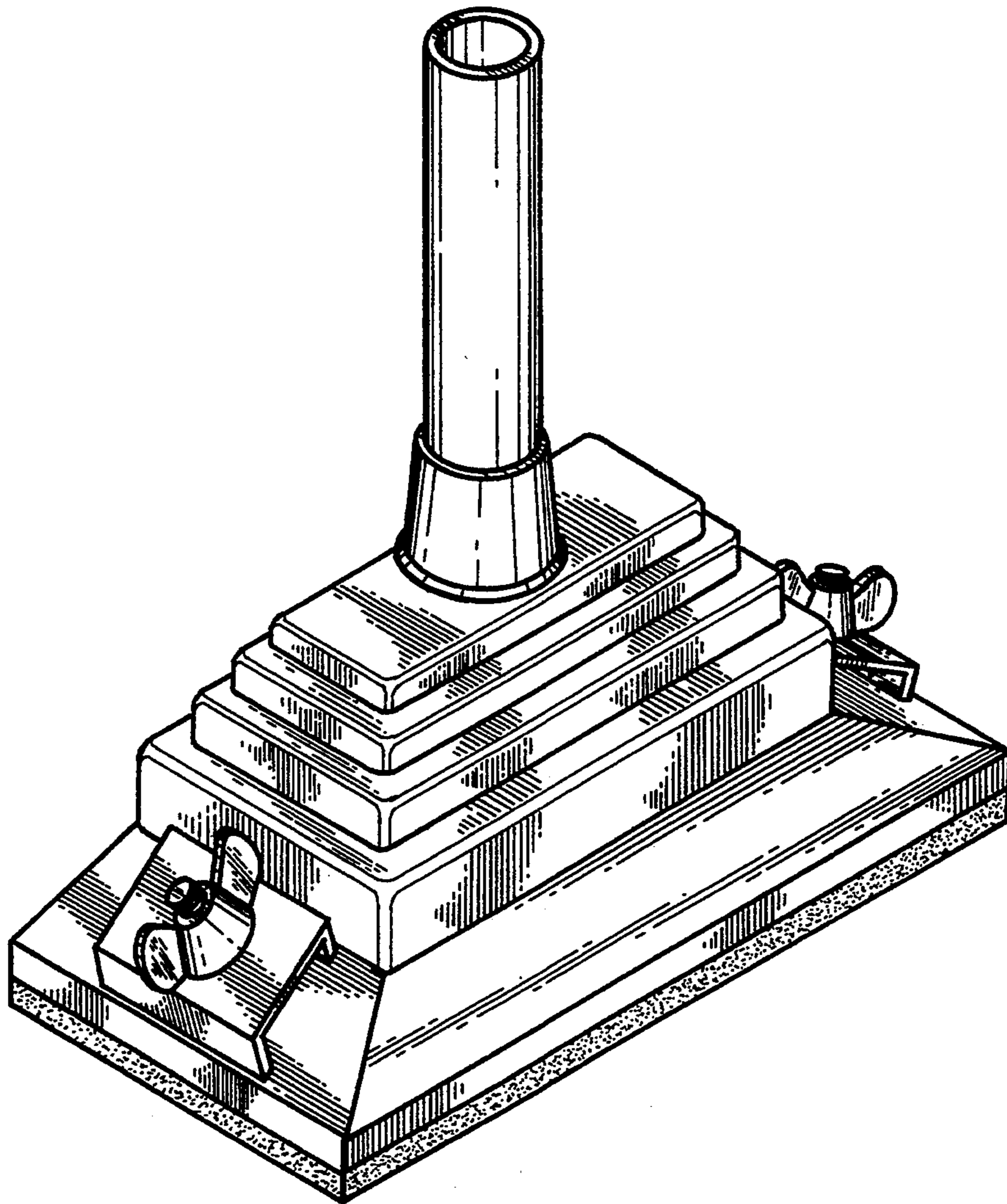
The ornamental design for a dustless drywall sander, as shown and described.

DESCRIPTION

FIG. 1 is a front, top and side perspective view of the dustless drywall sander showing my new design; FIG. 2 is a front elevational view thereof, the rear being a mirror image of the front shown in FIG. 2; FIG. 3 is a side elevational view thereof, the side opposite being a mirror image of the side shown in FIG. 3; FIG. 4 is a top plan view thereof; and, FIG. 5 is a bottom plan view thereof.

[56] References Cited U.S. PATENT DOCUMENTS

D. 310,012	8/1990	Henke et al.	D8/90
D. 344,003	2/1994	Milkie	D8/90
4,320,601	3/1982	Haney	51/391
4,759,155	7/1988	Shaw	51/392
4,937,984	7/1990	Taranto	51/392
4,964,243	10/1990	Reiter	51/392



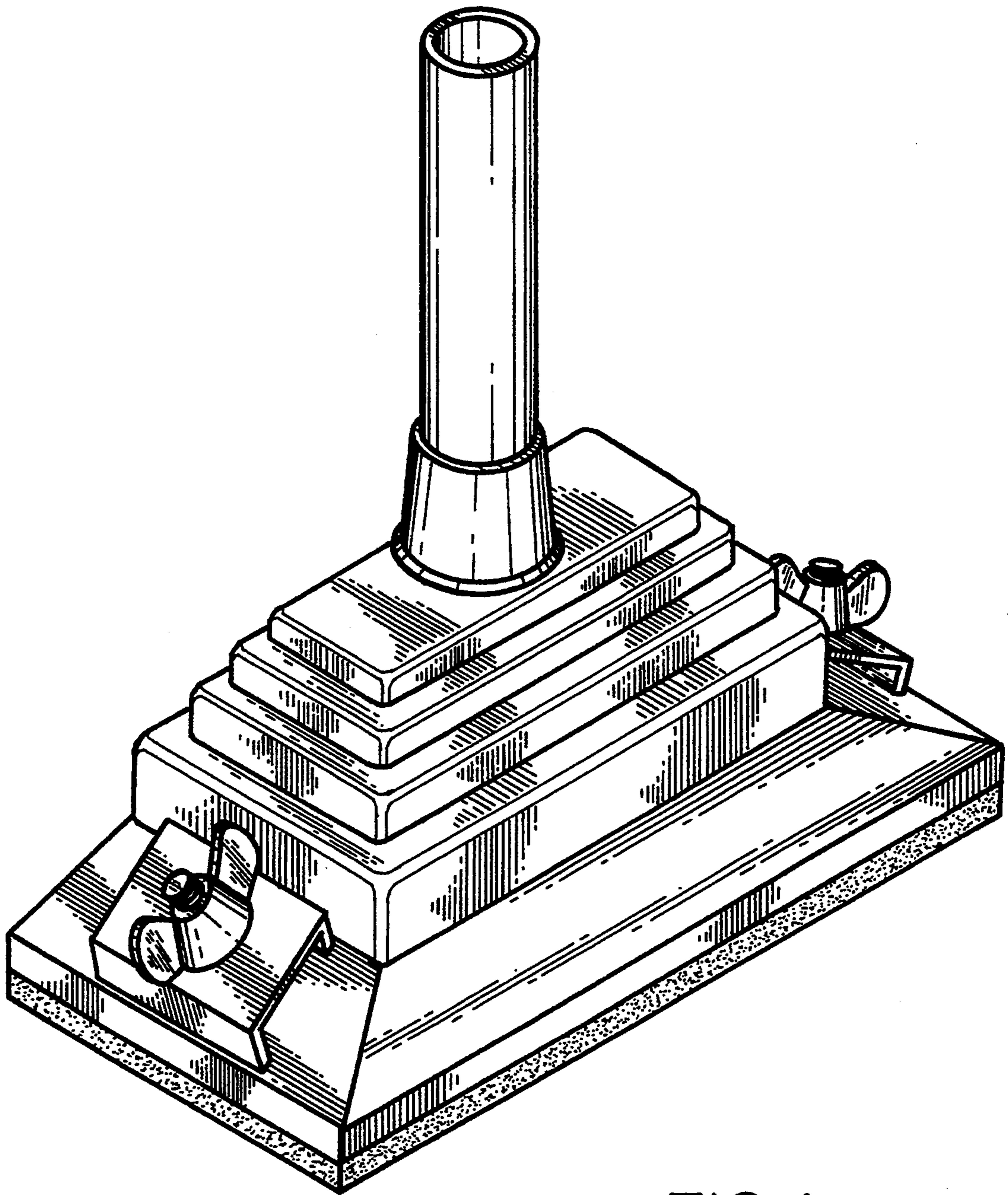


FIG. 1

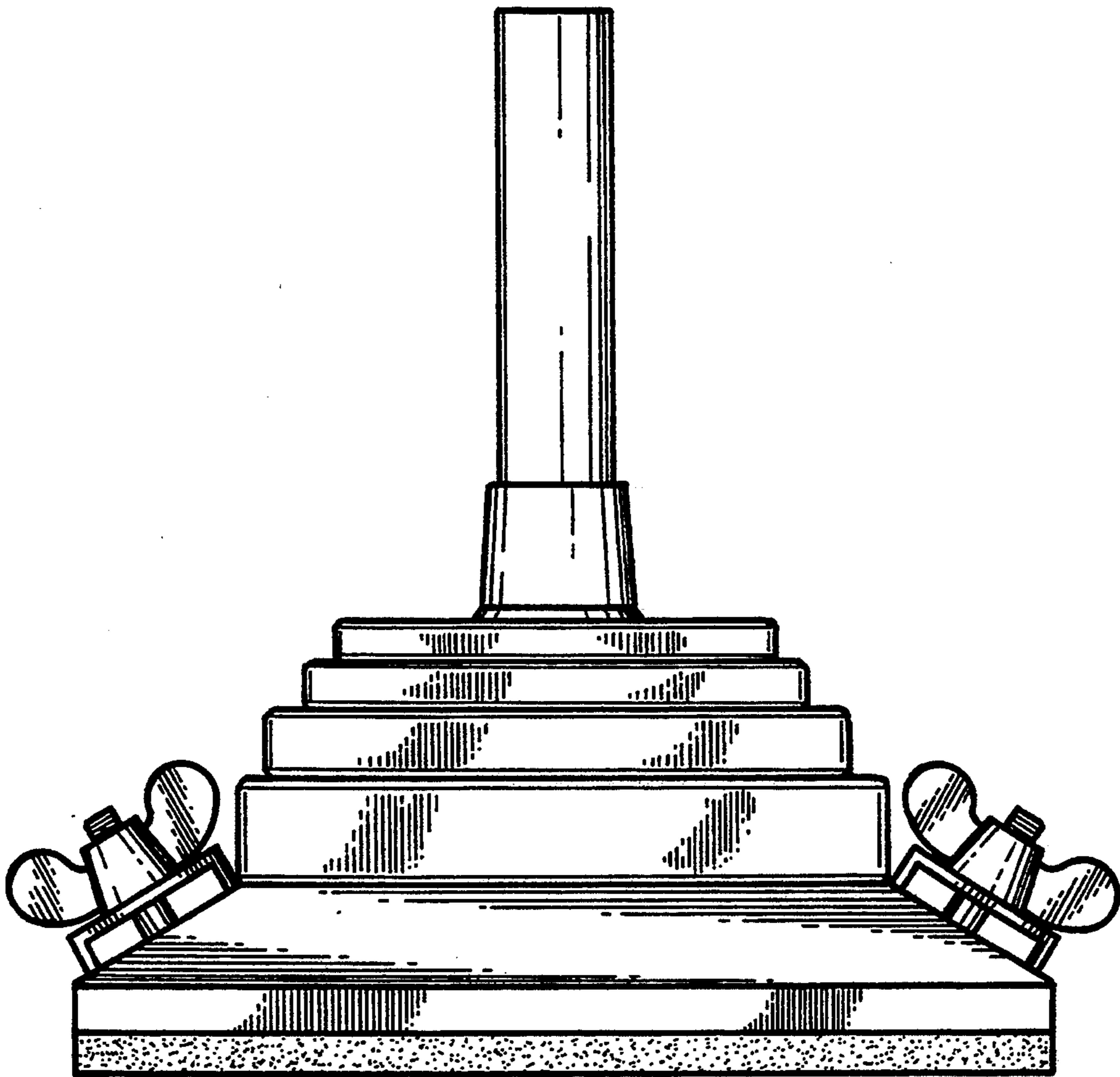


FIG. 2

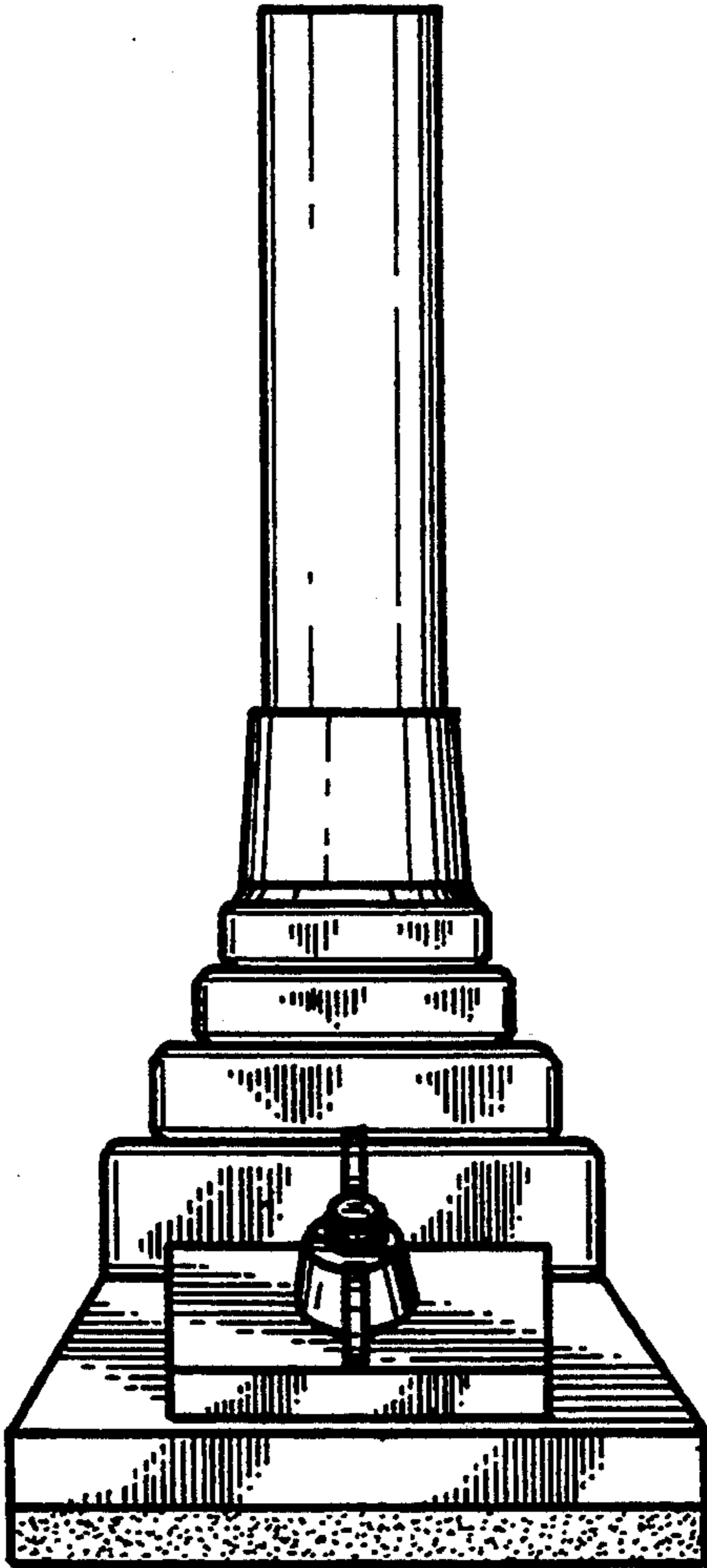


FIG. 3

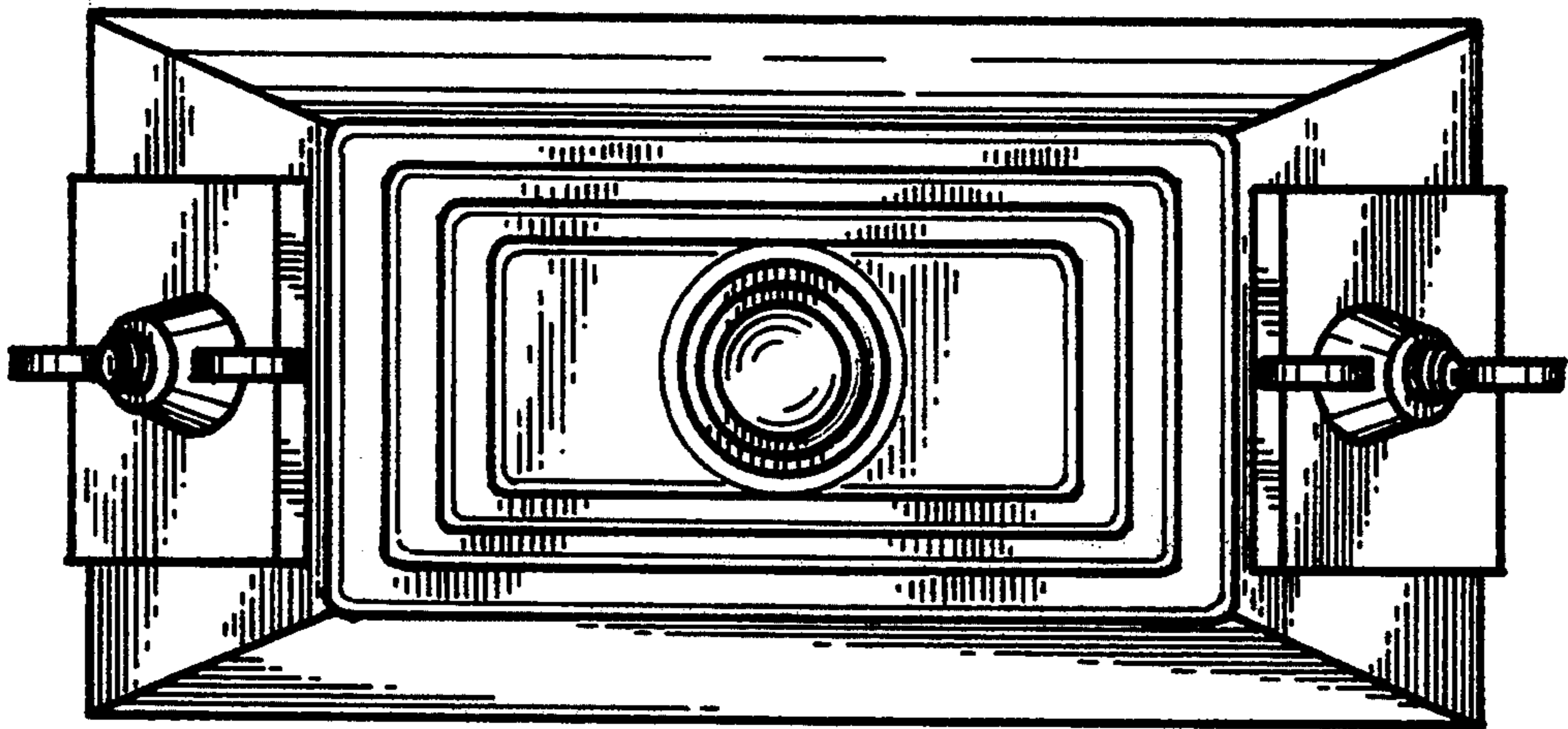


FIG. 4

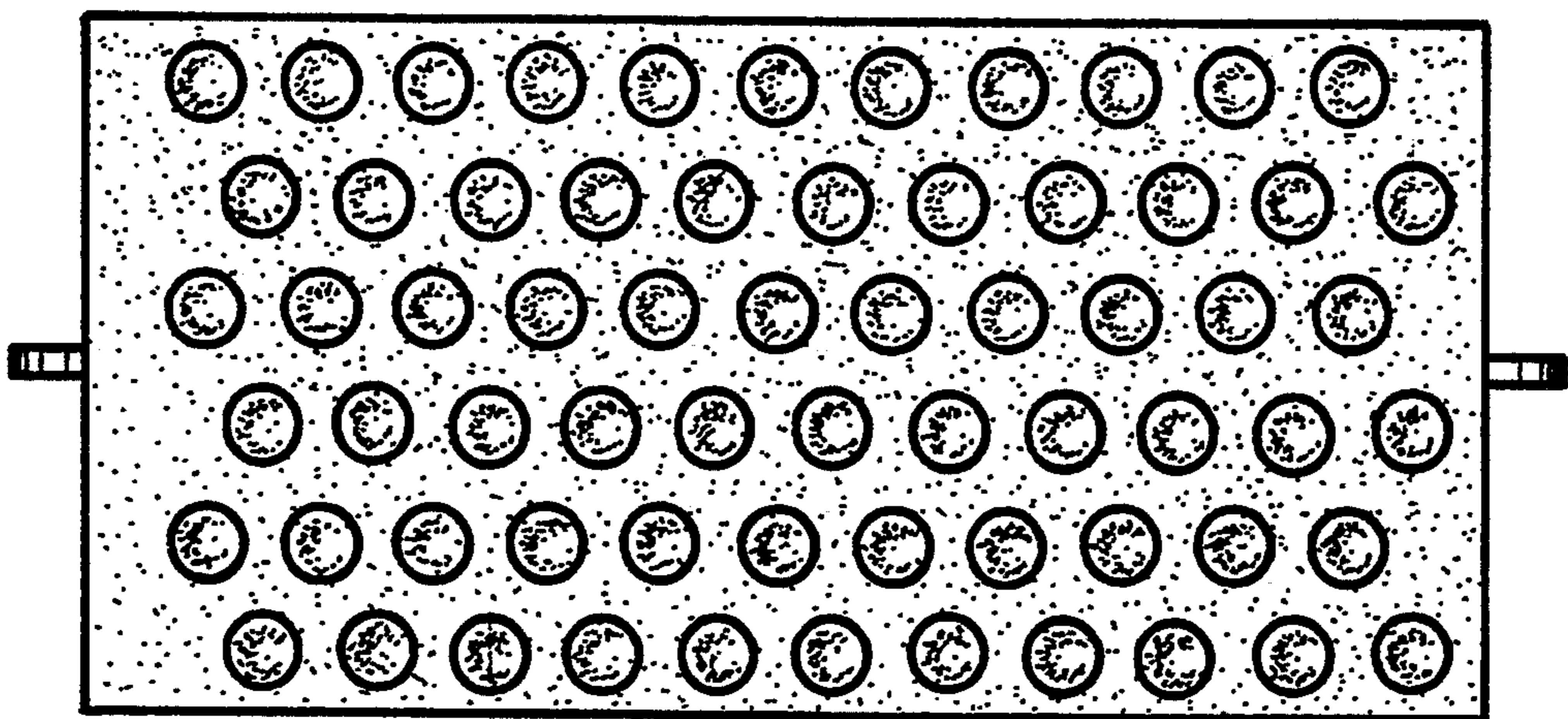


FIG. 5