



US00D354664S

United States Patent [19]

[11] Patent Number: **Des. 354,664**

Harrison

[45] Date of Patent: **** Jan. 24, 1995**

[54] **COMBINED FURNITURE FRAME AND SPRING STRETCHER TOOL**

[76] Inventor: **Leonard Harrison, 4278 Hillary Cir., West Palm Beach, Fla. 33406**

[**] Term: **14 Years**

[21] Appl. No.: **12,460**

[22] Filed: **Sep. 2, 1993**

[52] U.S. Cl. **D8/51**

[58] Field of Search **D8/14, 51, 44, 88, 89; 24/68 CT; 254/256, 258**

3,982,737	9/1976	Platt	267/102
4,280,432	7/1981	Dessel	254/258
4,422,218	12/1983	Brasseur	24/68 CT
4,500,073	2/1985	Smith	254/258
4,693,097	9/1987	Rivera	24/68 CT
5,025,968	6/1991	Nasiatka	227/31

Primary Examiner—Bernard Ansher
Assistant Examiner—Philip Hyder
Attorney, Agent, or Firm—Terry M. Gernstein

[57] **CLAIM**

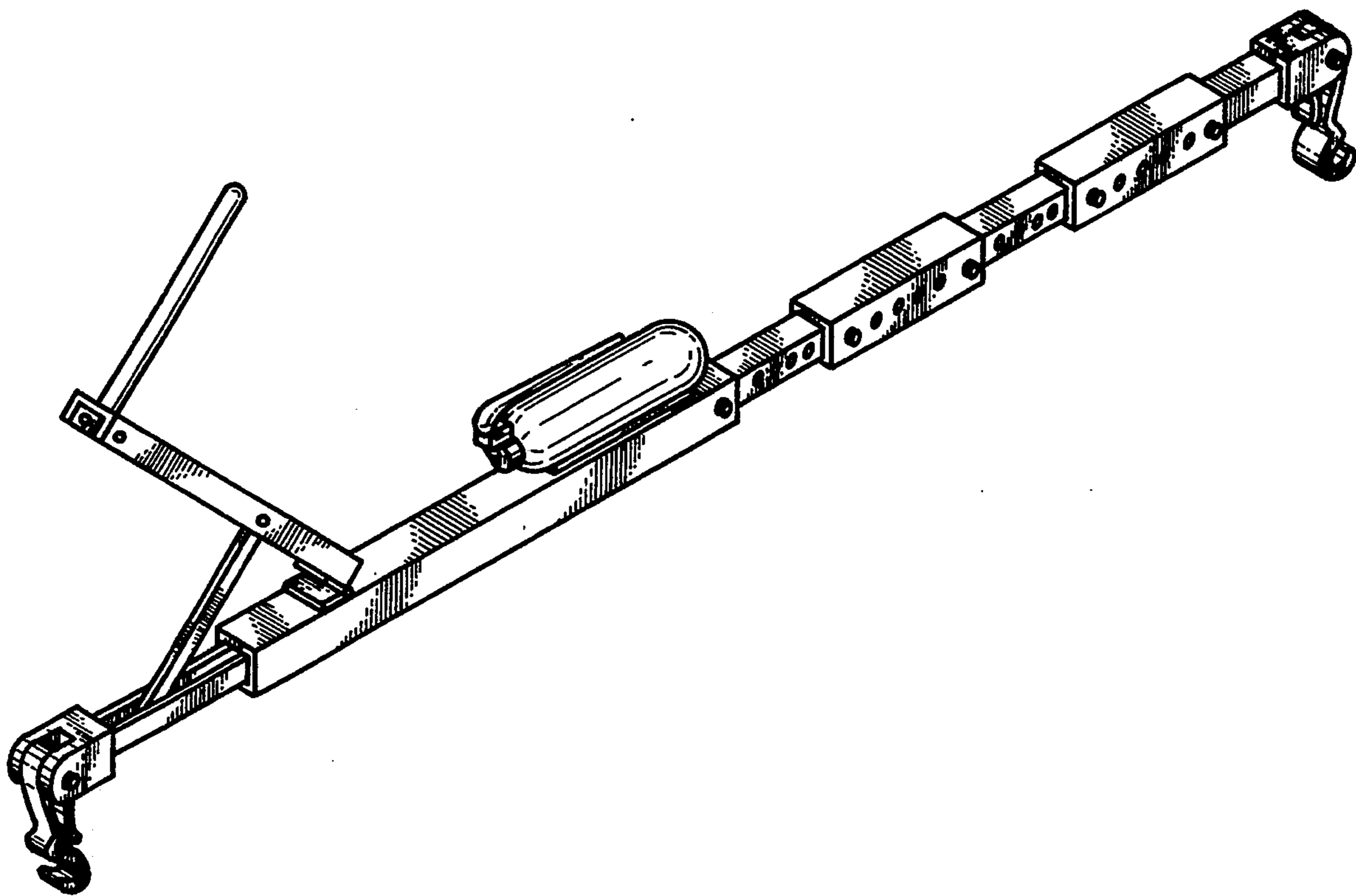
The ornamental design for a combined furniture frame and spring stretcher tool, as shown and described.

DESCRIPTION

FIG. 1 is a front, top and side perspective view of the combined furniture frame and spring stretcher tool showing my new design;
FIG. 2 is a front elevational view thereof, the rear being a mirror image of the front shown in FIG. 2;
FIG. 3 is a left side elevational view thereof;
FIG. 4 is a right side elevational view thereof;
FIG. 5 is a top plan view thereof; and,
FIG. 6 is a bottom plan view thereof.

[56] **References Cited**
U.S. PATENT DOCUMENTS

D. 289,134	4/1987	Hodges	D8/51
D. 309,854	8/1990	Smith	D8/51
D. 310,159	8/1990	Priola	D8/51
1,972,346	9/1934	Juline	24/68 CT
2,298,115	10/1942	Felton et al.	24/68 CT
3,179,373	4/1965	Cochran	254/258
3,862,742	1/1975	James	254/258
3,908,974	9/1975	Riddle	267/102



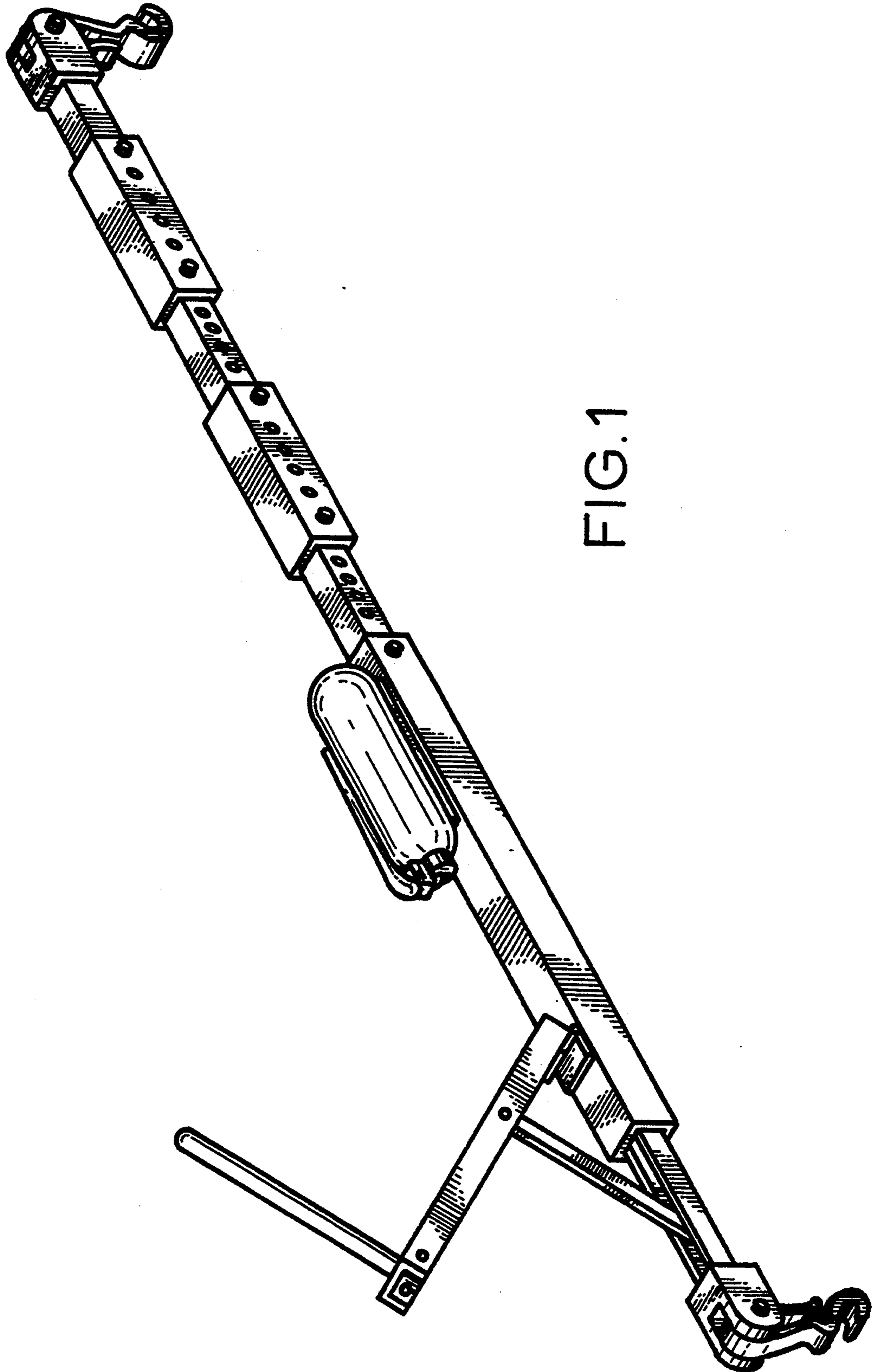


FIG. 1

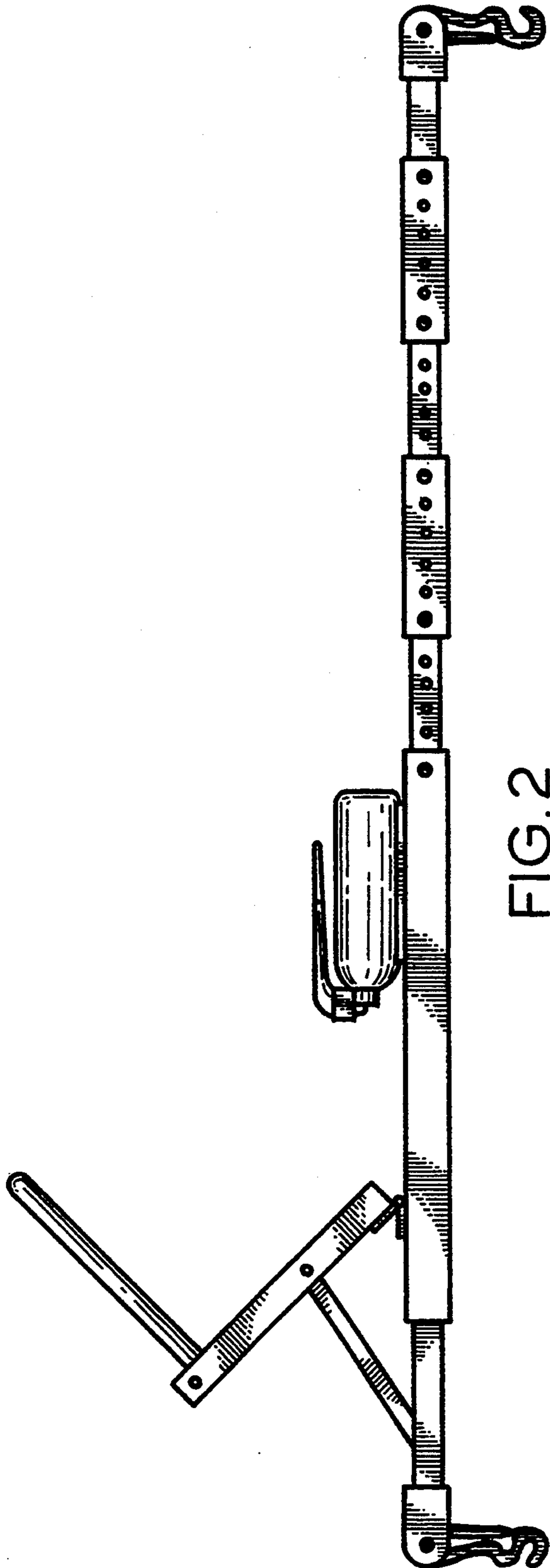


FIG. 2



FIG. 5



FIG. 6



FIG. 4

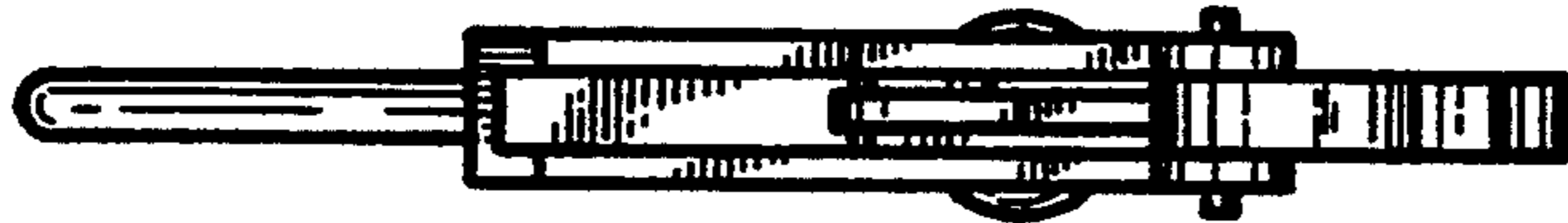


FIG. 3