



US00D354660S

# United States Patent [19]

Lilley

[11] Patent Number: **Des. 354,660**

[45] Date of Patent: **\*\* Jan. 24, 1995**

[54] **LANDSCAPE BORDER**

[76] Inventor: **Eugene H. Lilley, 1049 Palmyra Dr., Tega Cay, S.C. 29715**

[\*\*] Term: **14 Years**

[21] Appl. No.: **837,436**

[22] Filed: **Feb. 14, 1992**

[52] U.S. Cl. .... **D8/1**

[58] Field of Search ..... **D8/1; 47/33; 52/233; D25/113-119, 164**

[56] **References Cited**

**U.S. PATENT DOCUMENTS**

- D. 292,474 10/1987 Young ..... D8/1
- D. 316,951 5/1991 Groves ..... D8/1

*Primary Examiner*—James M. Gandy  
*Assistant Examiner*—H. Baynham

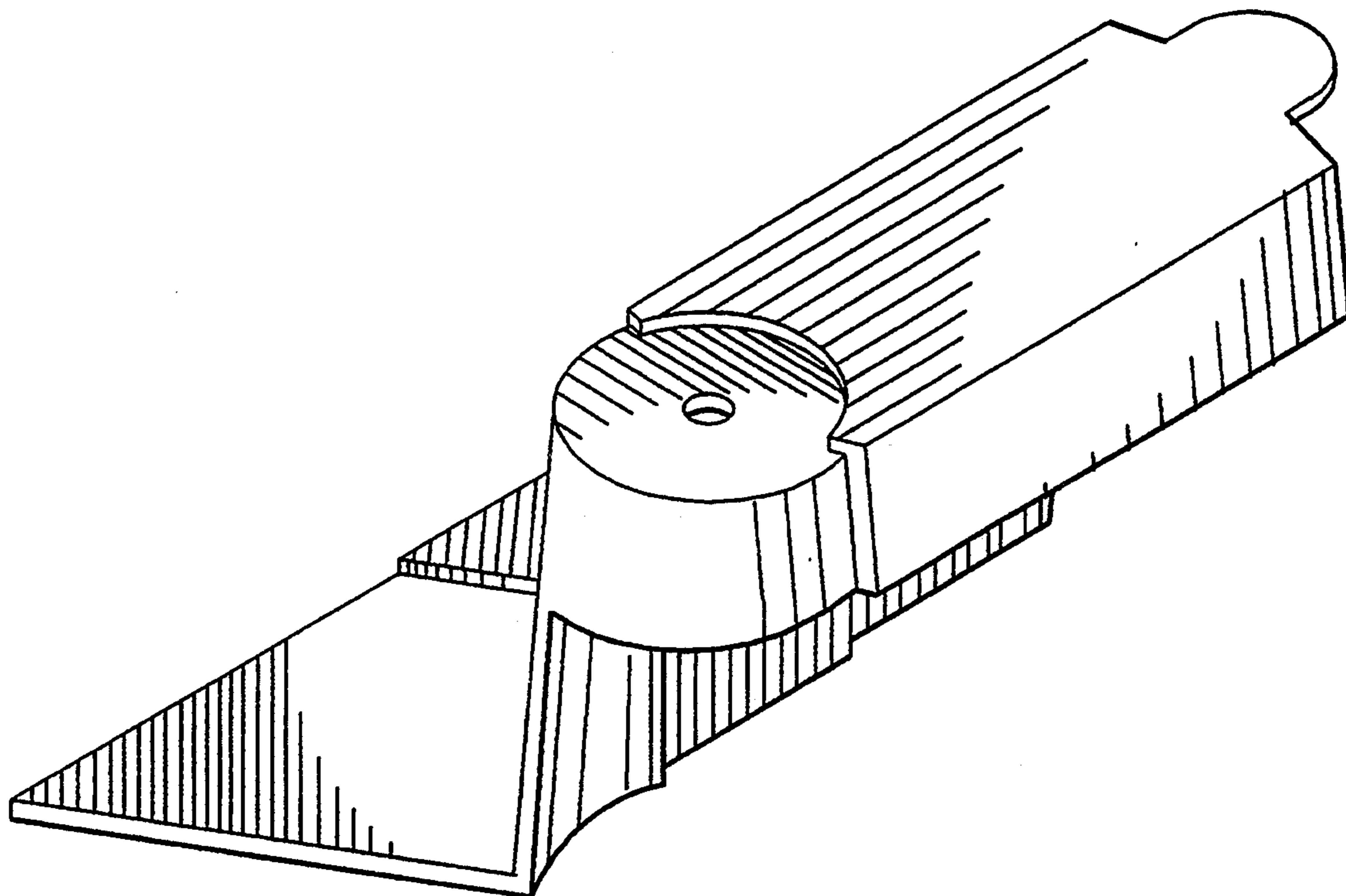
*Attorney, Agent, or Firm*—Ralph H. Dougherty

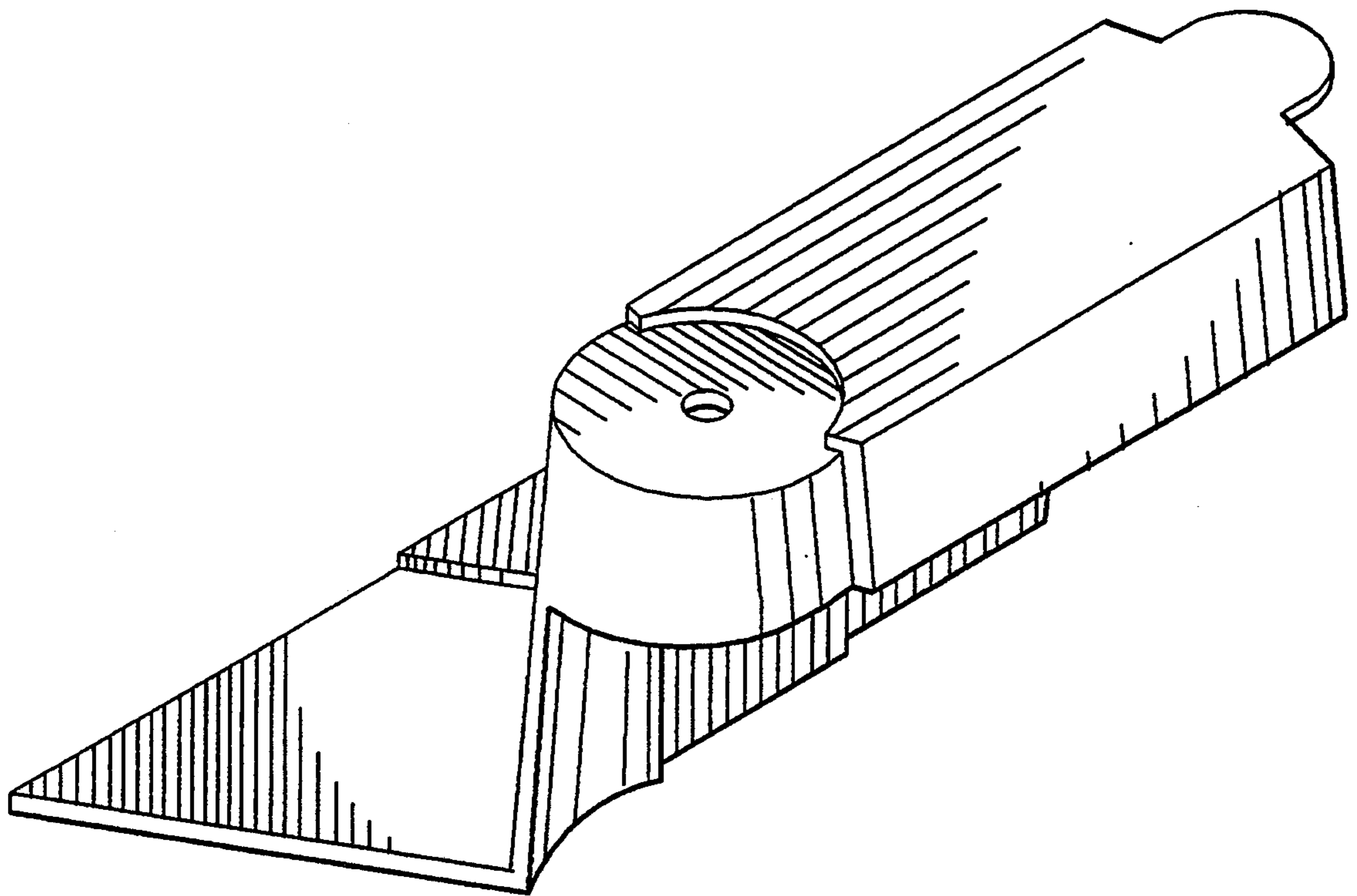
[57] **CLAIM**

The ornamental design for a landscape border, as shown and described.

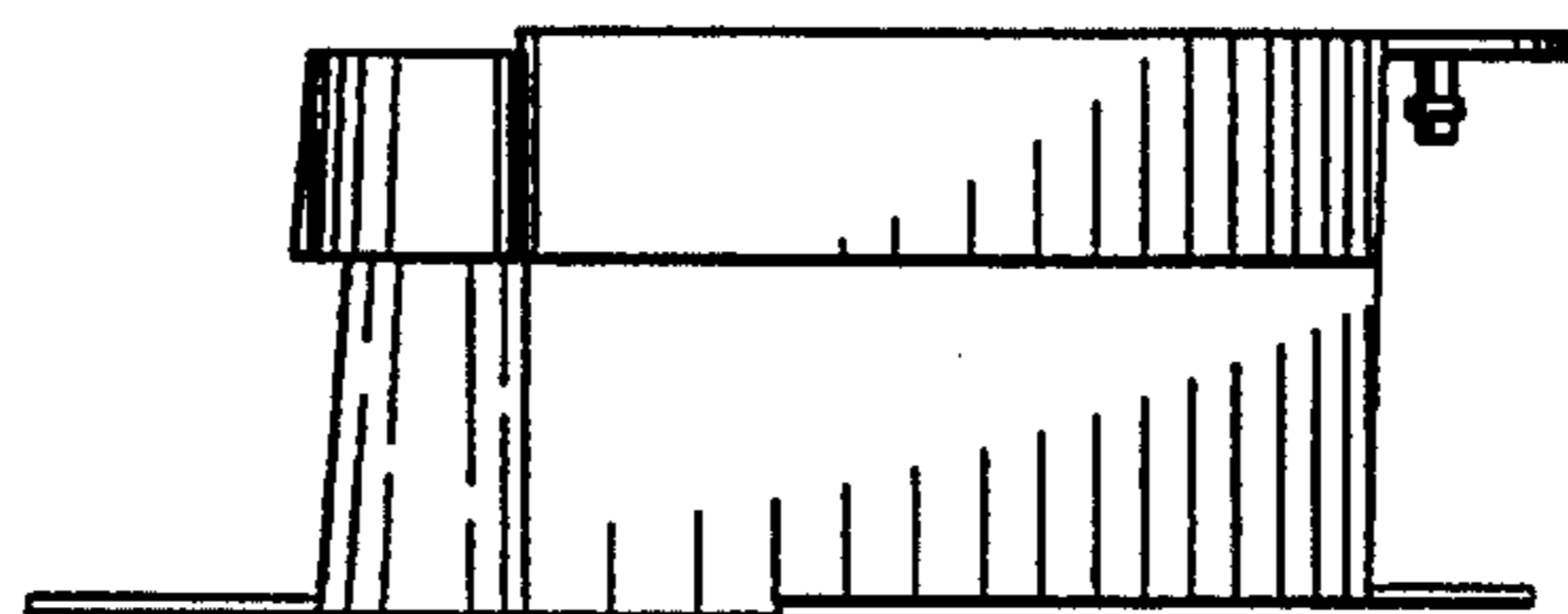
**DESCRIPTION**

FIG. 1 is an isometric view of a landscape border showing my new design;  
 FIG. 2 is a rear view of the invented landscape border;  
 FIG. 3 is a top view of the invented landscape border;  
 FIG. 4 is a left end view of the invented landscape border according to FIG. 3;  
 FIG. 5 is a front elevational view of the invented landscape border;  
 FIG. 6 is a right end view of the invented landscape border according to FIG. 3; and,  
 FIG. 7 is a bottom view of the invented landscape border.

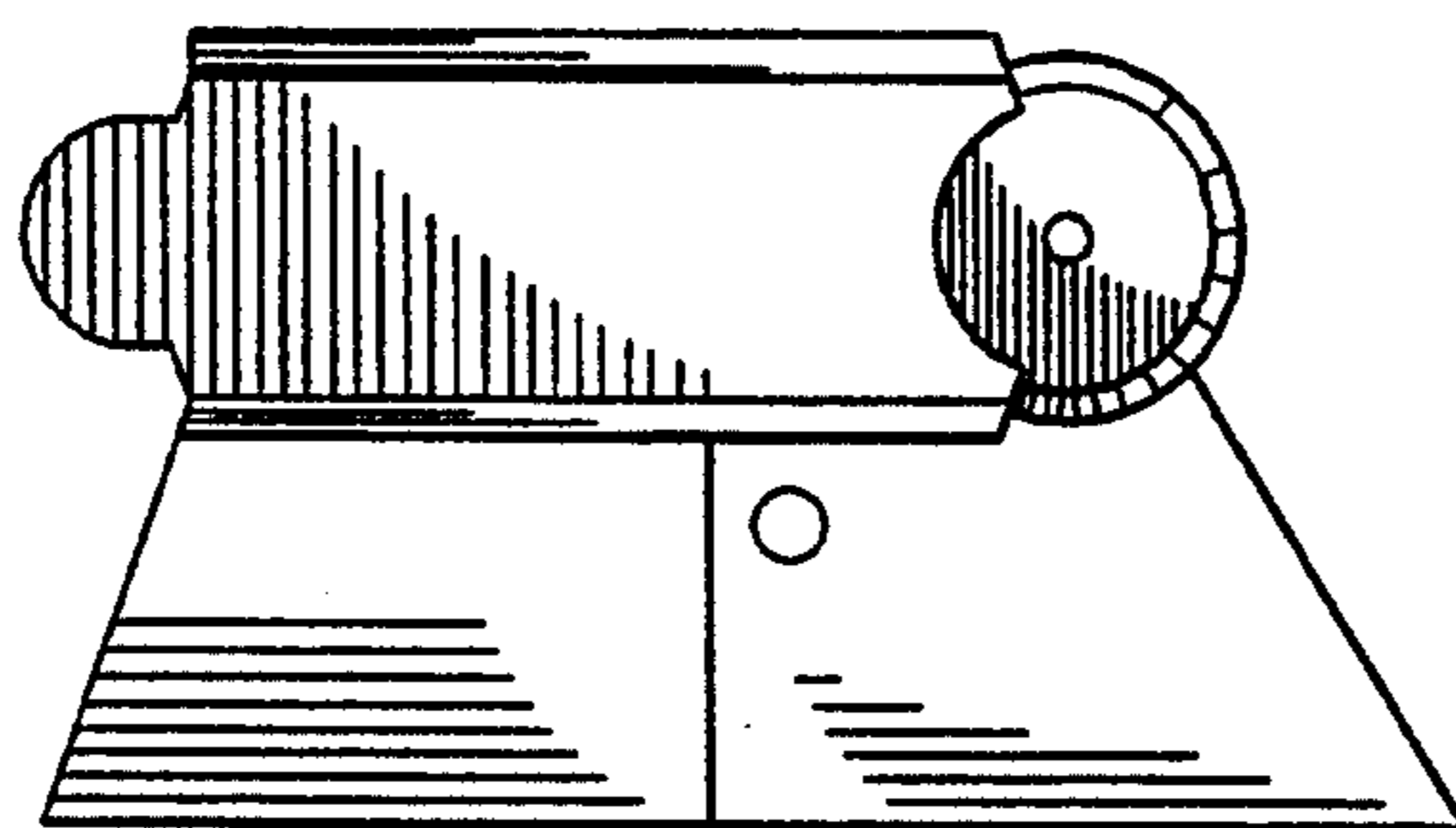




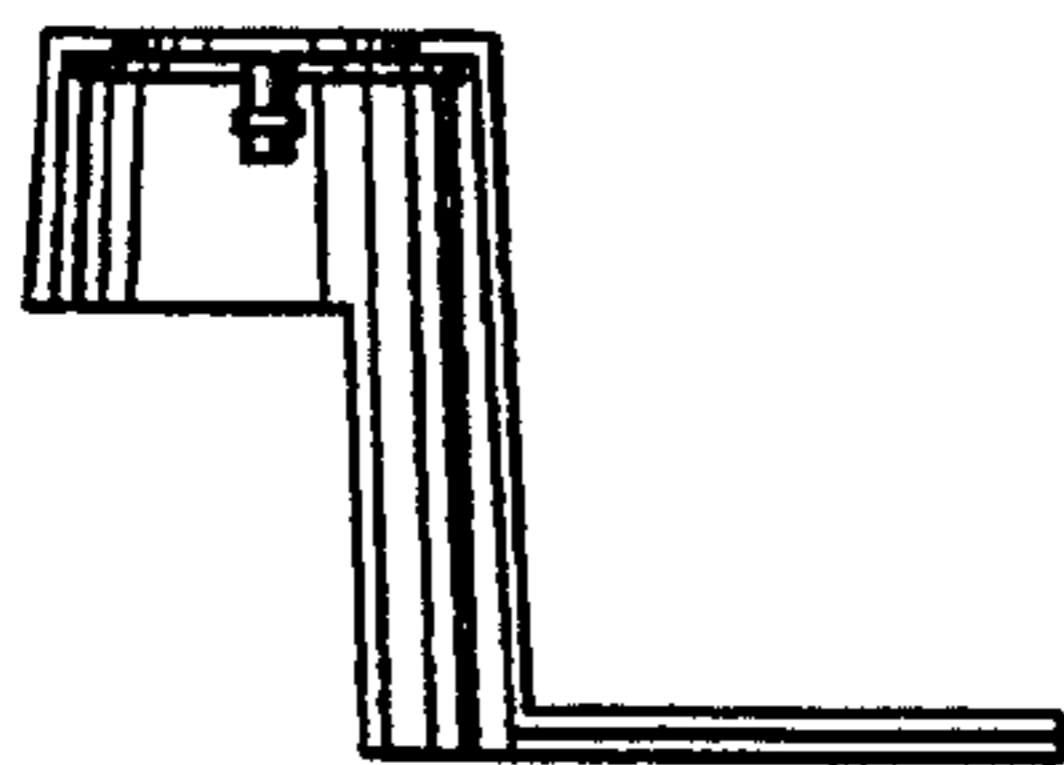
*Fig. 1*



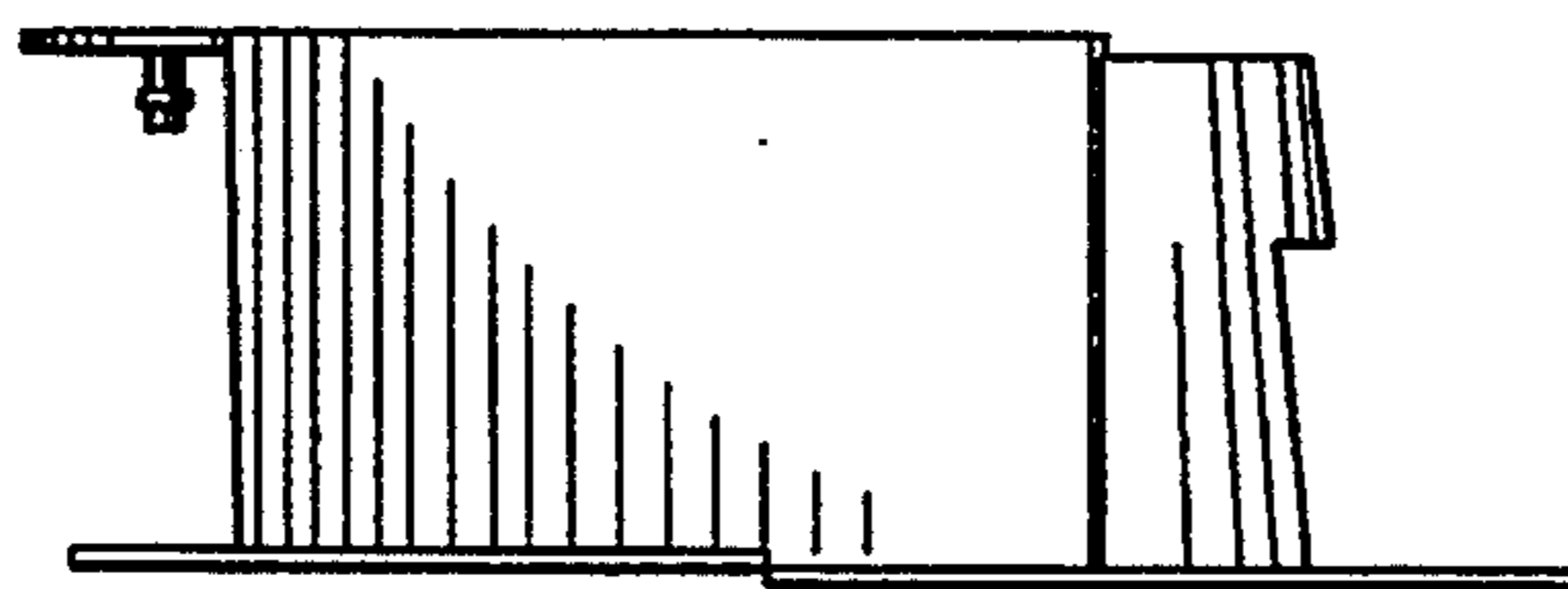
*Fig. 2*



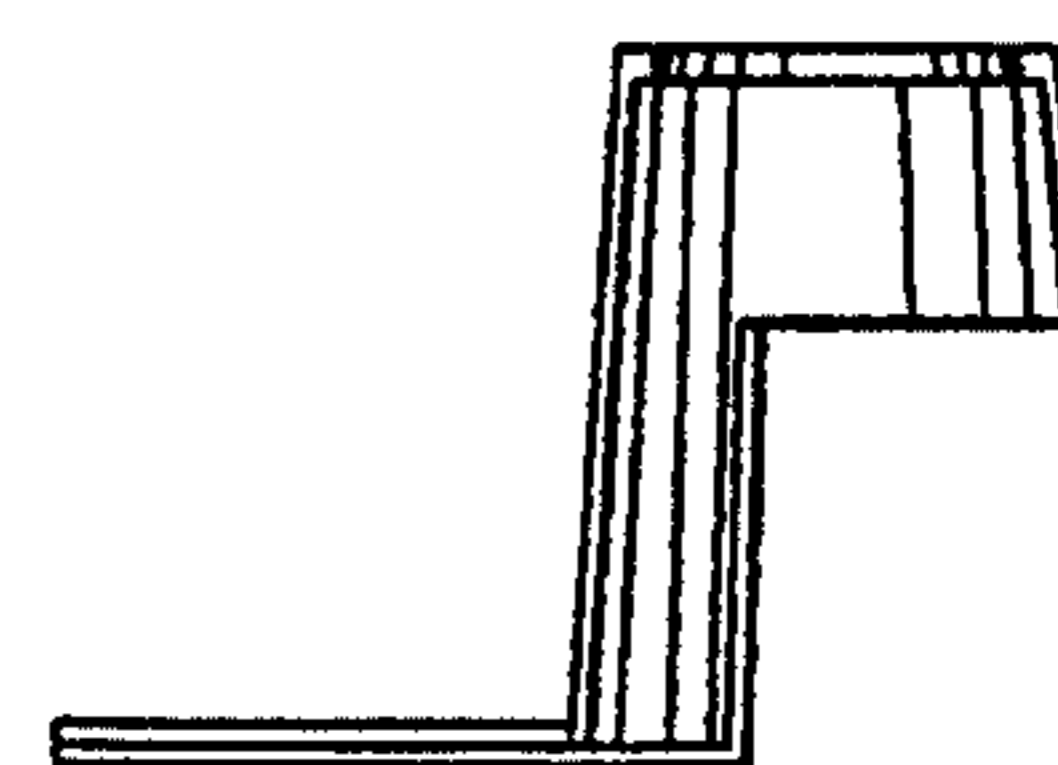
*Fig. 3*



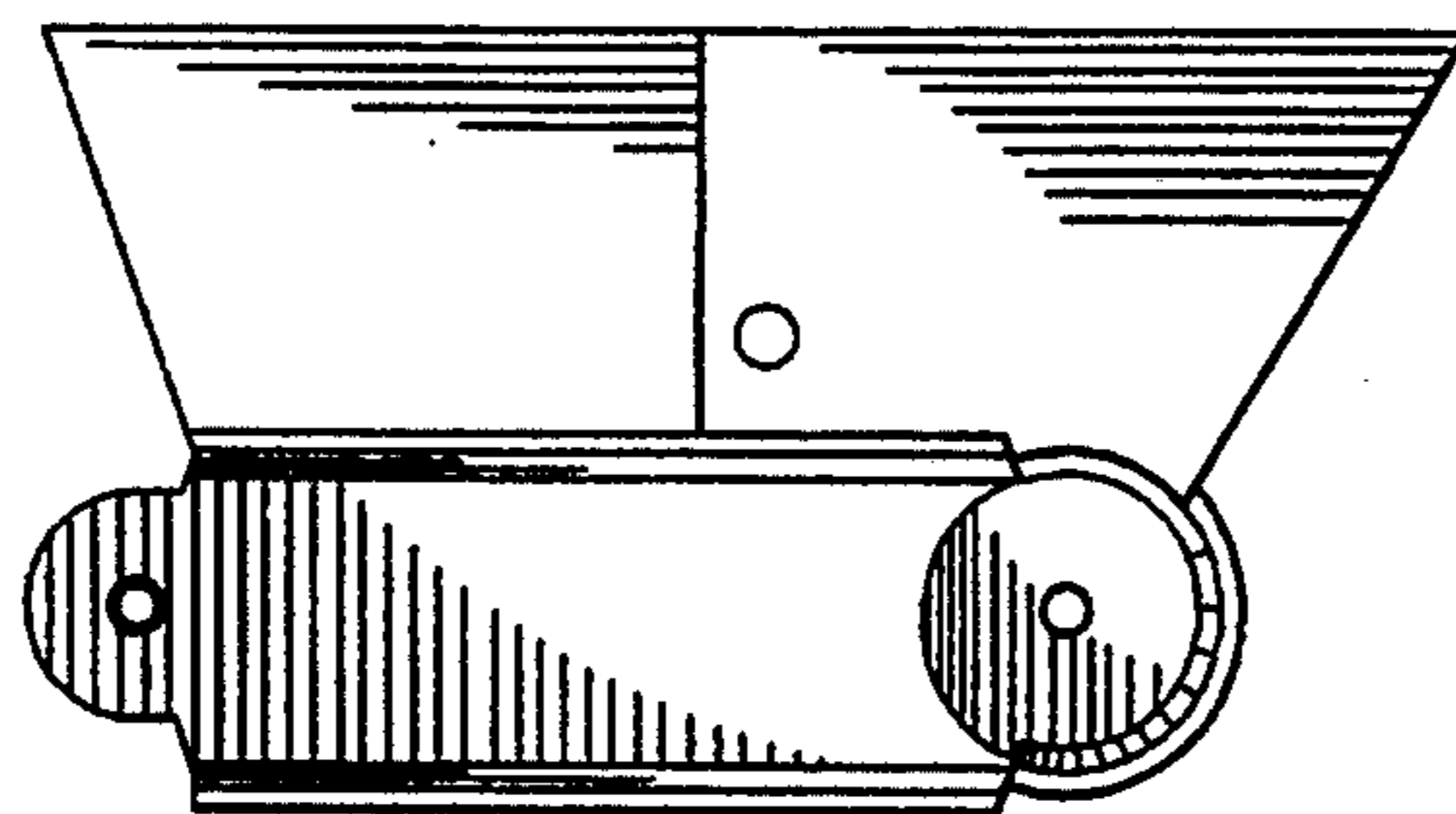
*Fig. 4*



*Fig. 5*



*Fig. 6*



*Fig. 7*