



US00D354659S

United States Patent [19]

[11] Patent Number: **Des. 354,659**

Dornbush et al.

[45] Date of Patent: **** Jan. 24, 1995**

[54] **BREAD SLICER**

[75] Inventors: **David A. Dornbush, Prior Lake; Andrew L. Von Duyke, Greenwood; Neal P. Barnes, Maple Grove, all of Minn.**

[73] Assignee: **Alternative Pioneering Systems, Inc., Chaska, Minn.**

[**] Term: **14 Years**

[21] Appl. No.: **15,435**

[22] Filed: **Nov. 17, 1993**

[52] U.S. Cl. **D7/673**

[58] Field of Search **D7/672-673; 83/761-765, 454-455, 467.1, 468.6; 269/289 R, 291-292, 295**

[56] **References Cited**

U.S. PATENT DOCUMENTS

- 2,814,113 11/1957 Morlacchi D7/673 X
- 4,085,642 4/1978 Birmingham .
- 4,964,323 10/1990 Fortney .
- 5,115,704 5/1992 Hyman .

OTHER PUBLICATIONS

Hansaloy ® Corporation, Bread and Bun Slicer Blades brochure, Secondary Bevel E Edge, Parallel Ground Blades H22 Edge, H27 Edge, "V" Tooth Bun Blades Full Tooth, Flat Tooth, Hansaloy ® Corporation, 820

West 35th Street, Davenport, Iowa 52806. Date unknown.

Hansaloy ® Corporation, The Slicing Package from Hansaloy brochure, Hansaloy ® Corporation, 820 West 35th Street, Davenport, Iowa 52806. Date unknown.

Perfect Slices brochure, Perfect Slices, 6421 Keelson Drive, Madison, Wisconsin 53705. Date unknown.

Oliver ® Mini-Supreme Bread Slicer, Model 709 brochure, Oliver ® Products Company, 445 Sixth Street, N.W., Grand Rapids, Michigan 49504-5298. Mar. 1993.

Easy Way to Order your Hansaloy Reciprocating Blades brochure, Hansaloy ® Corporation, 820 West 35th Street, Davenport, Iowa 52806. Date unknown.

Primary Examiner—Terry A. Wallace

Attorney, Agent, or Firm—Merchant, Gould, Smith, Edell, Welter & Schmidt

[57] **CLAIM**

The ornamental design for a bread slicer, as shown and described.

DESCRIPTION

FIG. 1 is a perspective view of a bread slicer showing our new design, the bread shown in broken lines for illustrative purposes only and forming no part of the claimed design;

FIG. 2 is a front elevational view thereof;

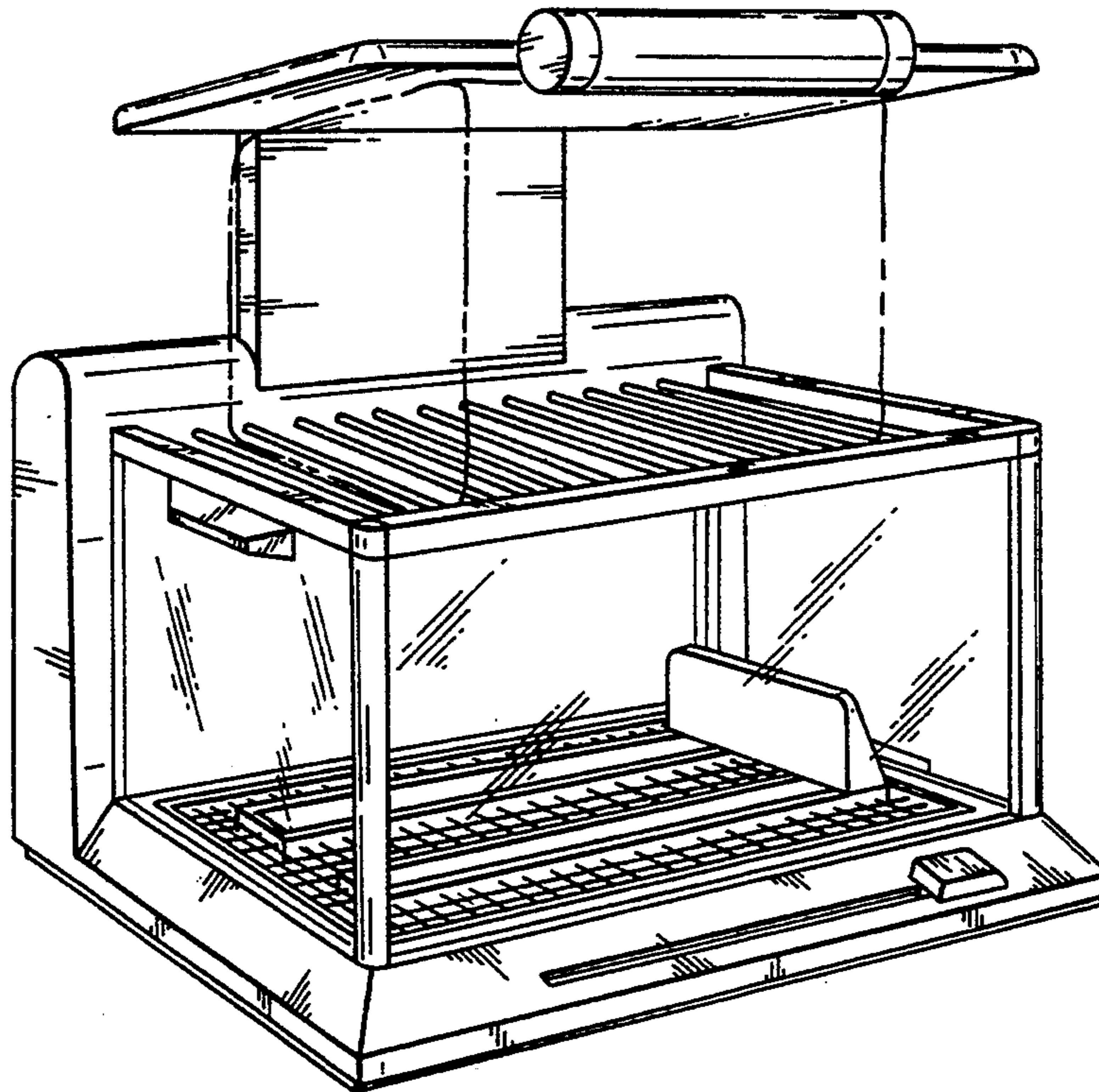
FIG. 3 is a rear elevational view thereof;

FIG. 4 is a top plan view thereof;

FIG. 5 is a bottom plan view thereof;

FIG. 6 is a left side elevational view thereof; and,

FIG. 7 is a right side elevational view thereof.



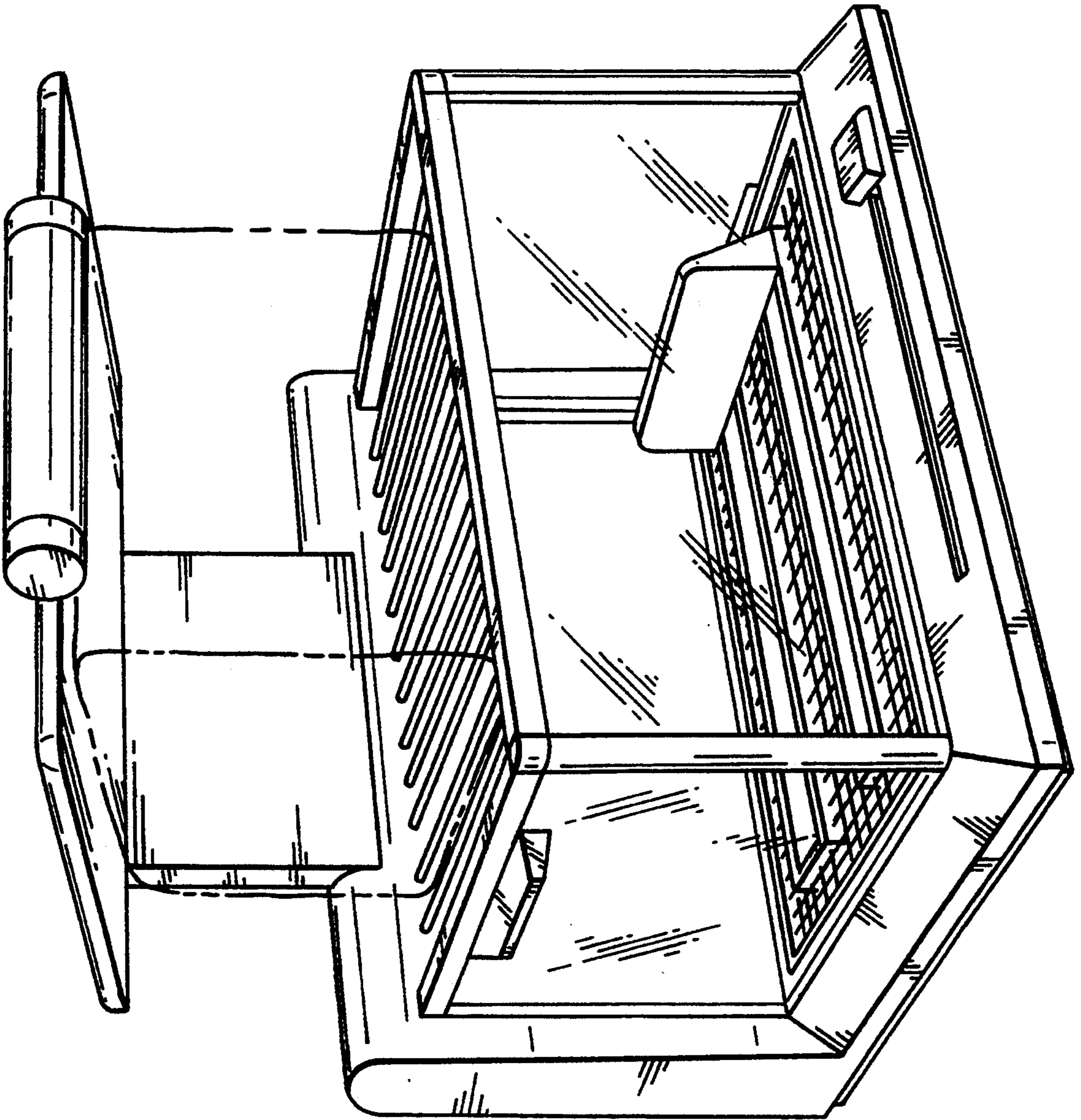


FIG. 1

FIG. 2

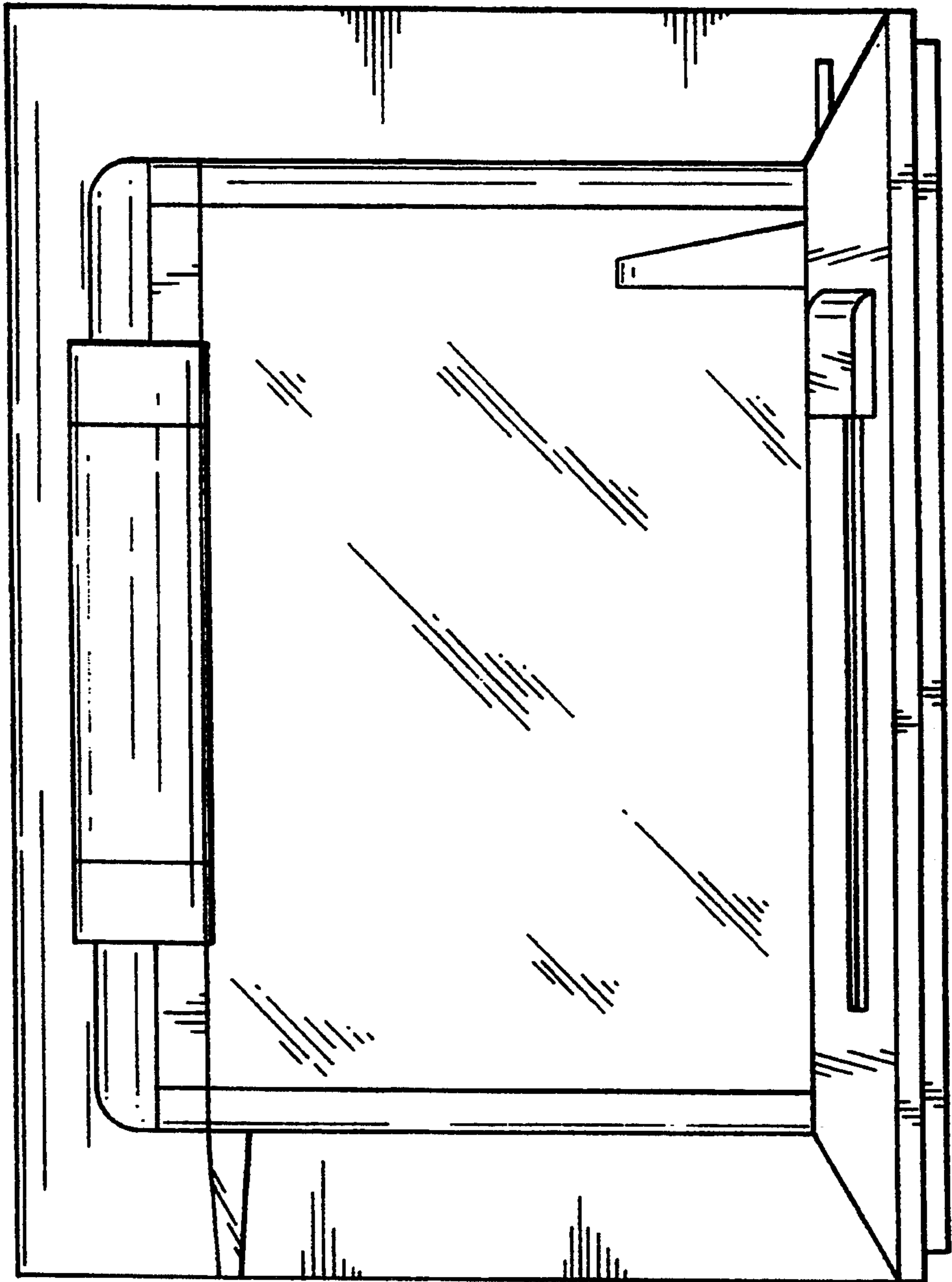
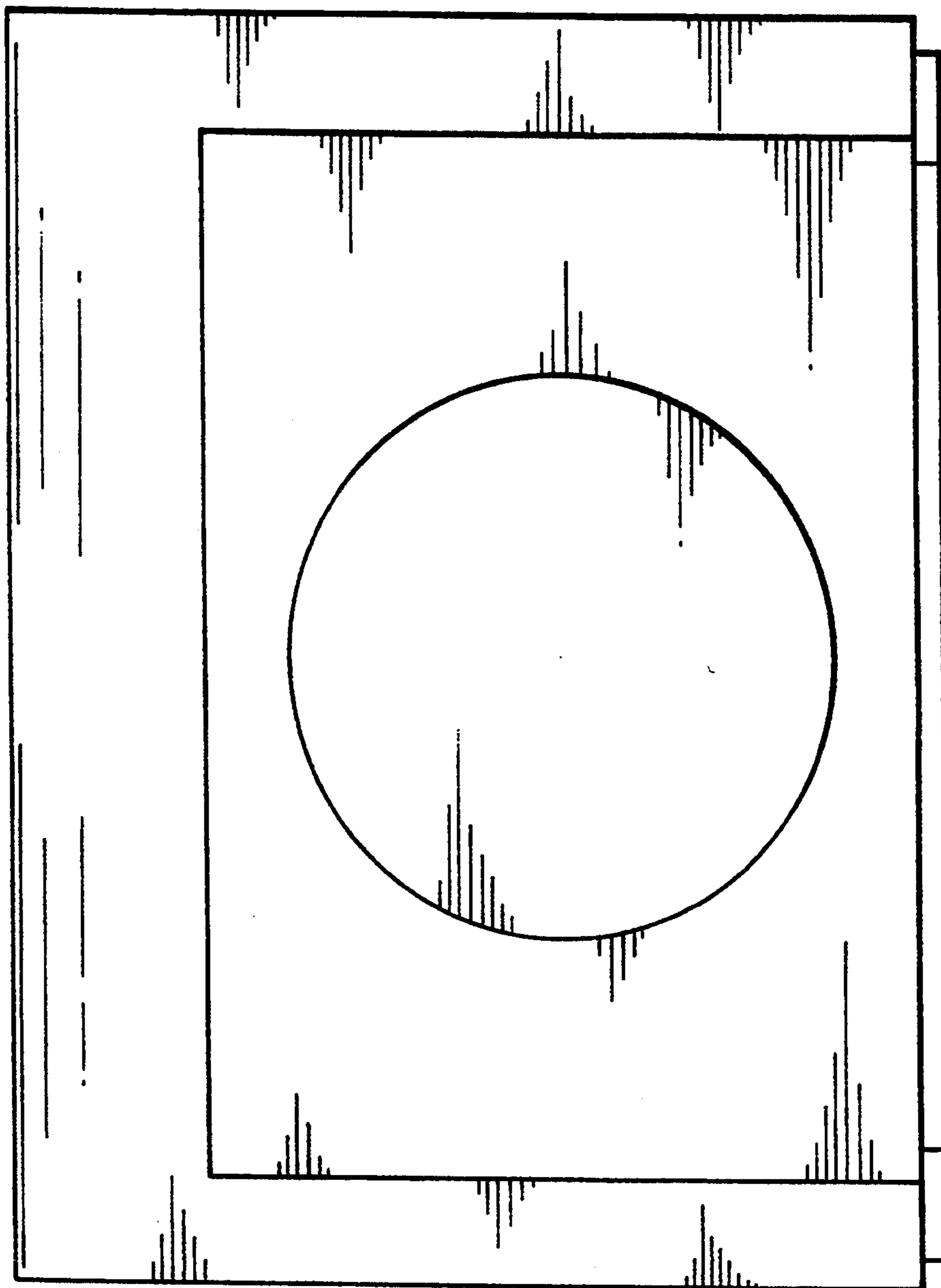


FIG. 3



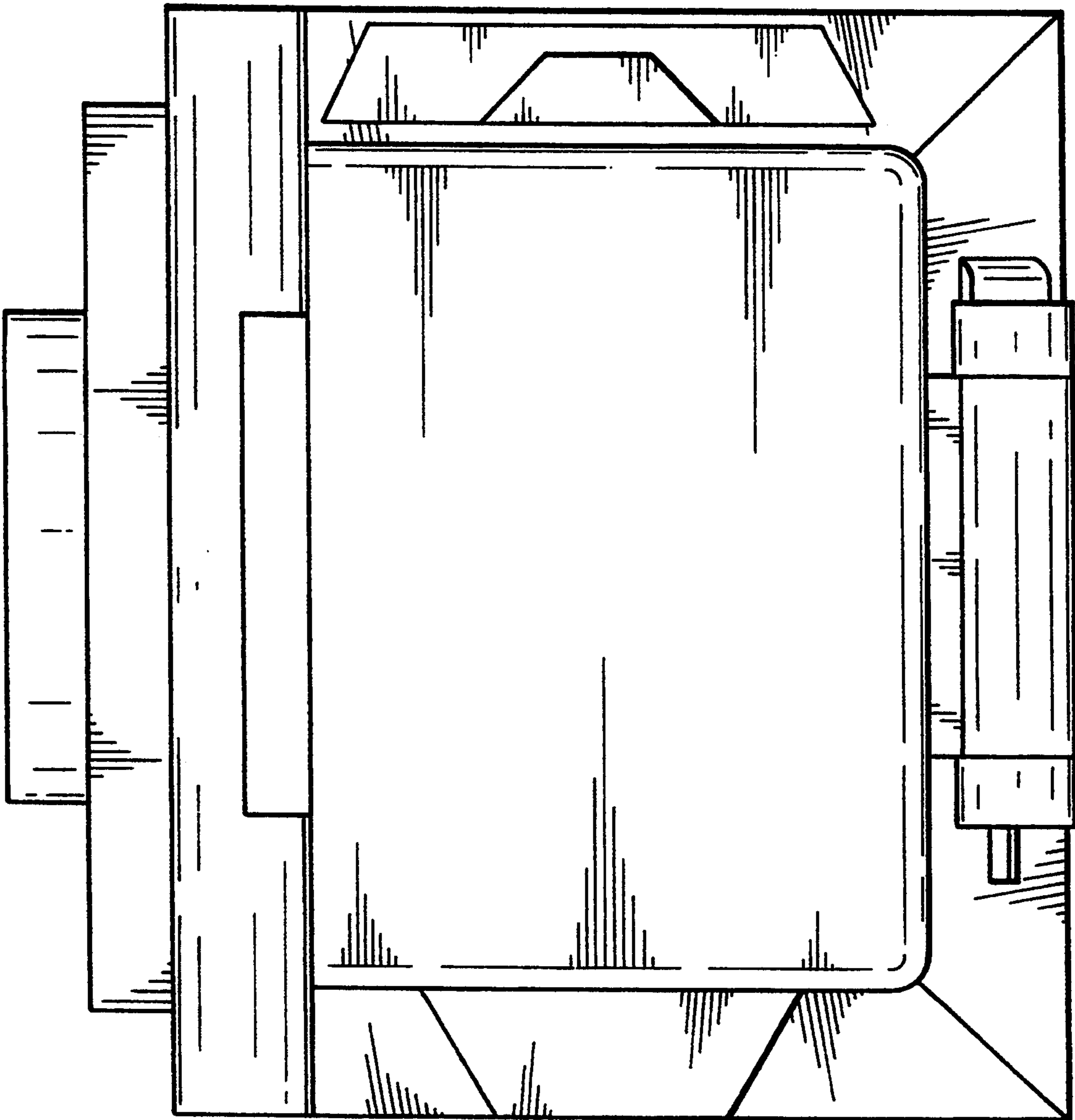


FIG. 4

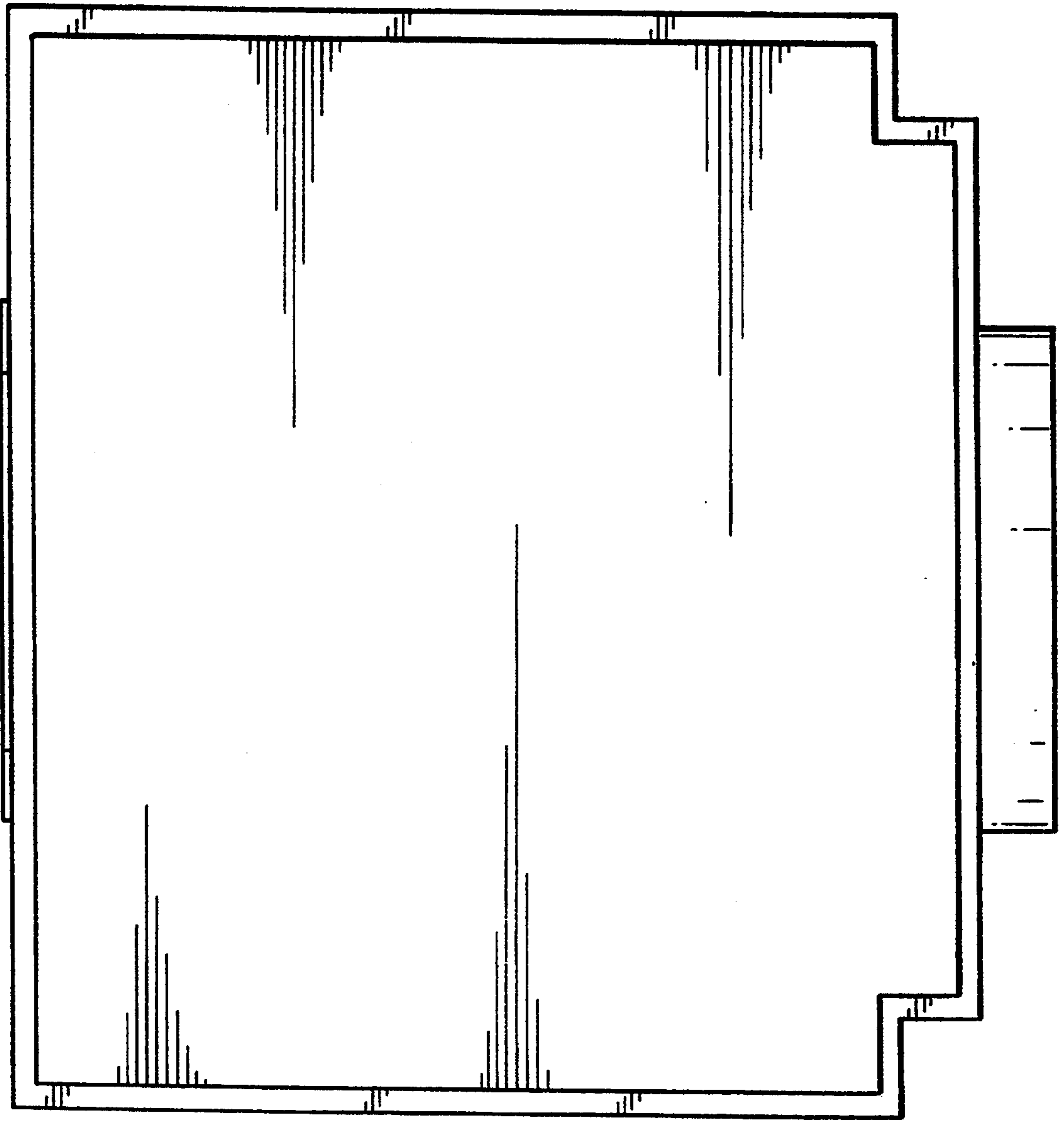


FIG. 5

FIG. 6

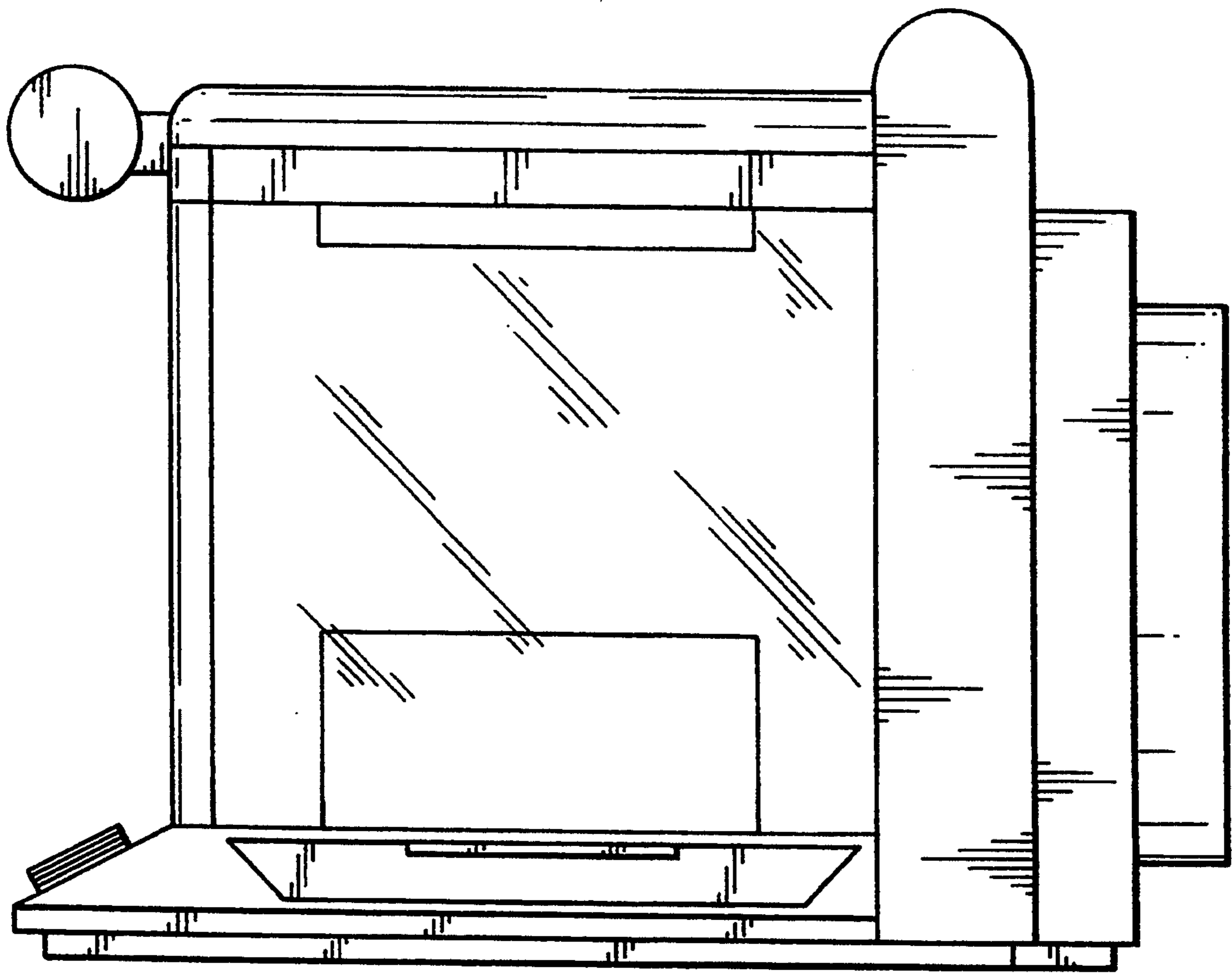


FIG. 7

