



US00D354658S

United States Patent [19]

Weber et al.

[11] Patent Number: **Des. 354,658**

[45] Date of Patent: **** Jan. 24, 1995**

[54] CONTAINER FOR CRACKERS

[76] Inventors: **Karen S. Weber; David J. Weber,**
both of 7790 Winding Way South,
Tipp City, Ohio 45371

[**] Term: **14 Years**

[21] Appl. No.: **10,224**

[22] Filed: **Jul. 2, 1993**

[52] U.S. Cl. **D7/629; D9/423**

[58] Field of Search **D7/629, 601, 609, 612;**
D3/272-273, 294, 201; D6/634; D9/414, 420,
423-424, 430-433; 220/4.21, 4.22; 229/906, 909

[56] **References Cited**

U.S. PATENT DOCUMENTS

- D. 158,352 5/1950 Ambrosino D3/294
- D. 218,678 9/1970 Current et al. D9/423
- D. 240,085 5/1976 Reisdorf D3/294 X
- D. 298,003 10/1988 Carloss .

- 4,009,818 3/1977 Rogers .
- 5,000,343 3/1991 Allen .
- 5,184,729 2/1993 Zalenski D9/423 X

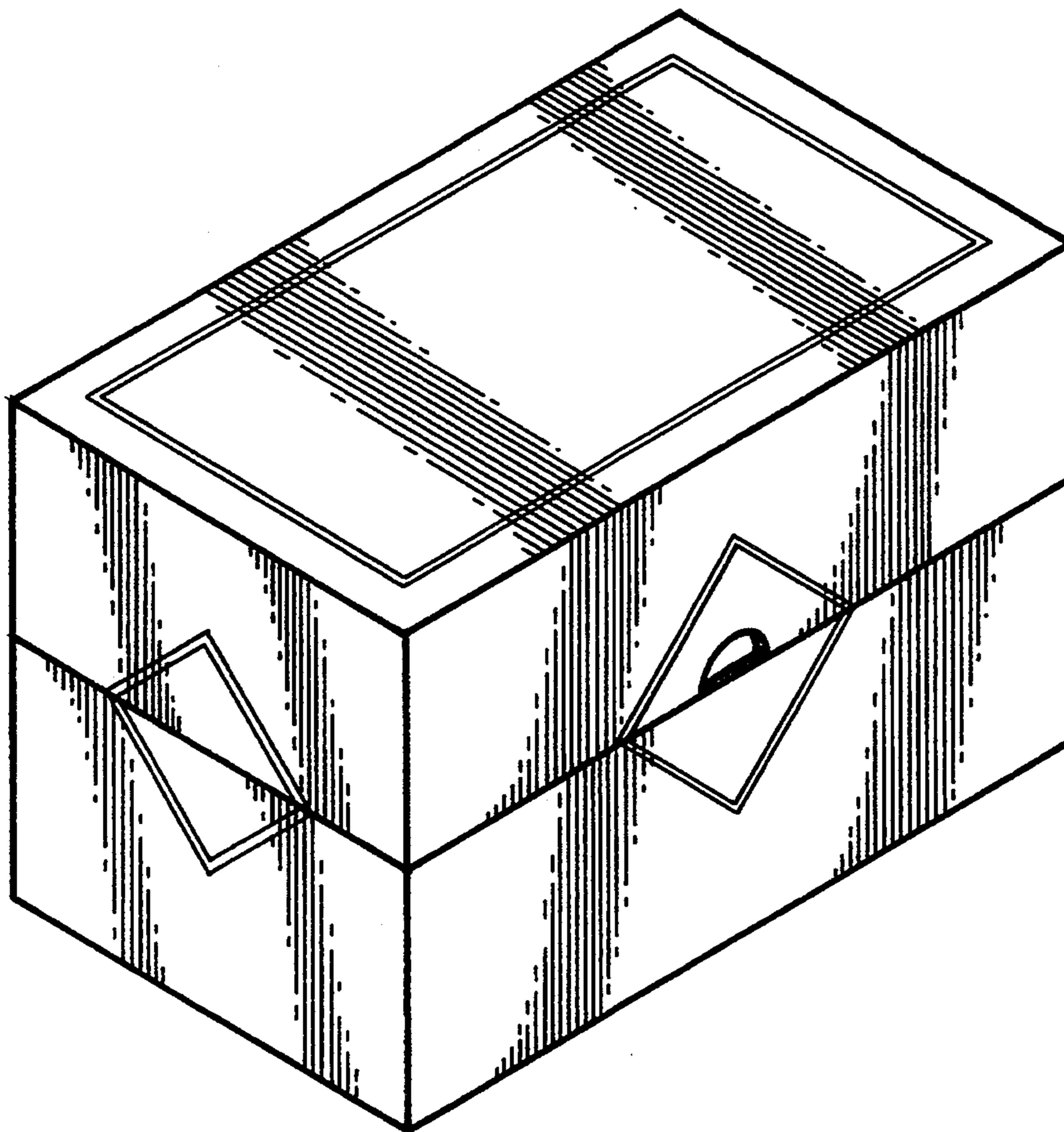
Primary Examiner—Terry A. Wallace
Attorney, Agent, or Firm—Terry M. Gernstein

[57] CLAIM

The ornamental design for a container for crackers, as shown and described.

DESCRIPTION

FIG. 1 is a front, top and side perspective view of the container for crackers embodying the design of the present invention;
 FIG. 2 is a front elevational view thereof;
 FIG. 3 is a rear elevational view thereof;
 FIG. 4 is an end elevational view thereof, the end opposite being a mirror image of the end shown in FIG. 4;
 FIG. 5 is a top plan view thereof; and,
 FIG. 6 is a bottom plan view thereof.



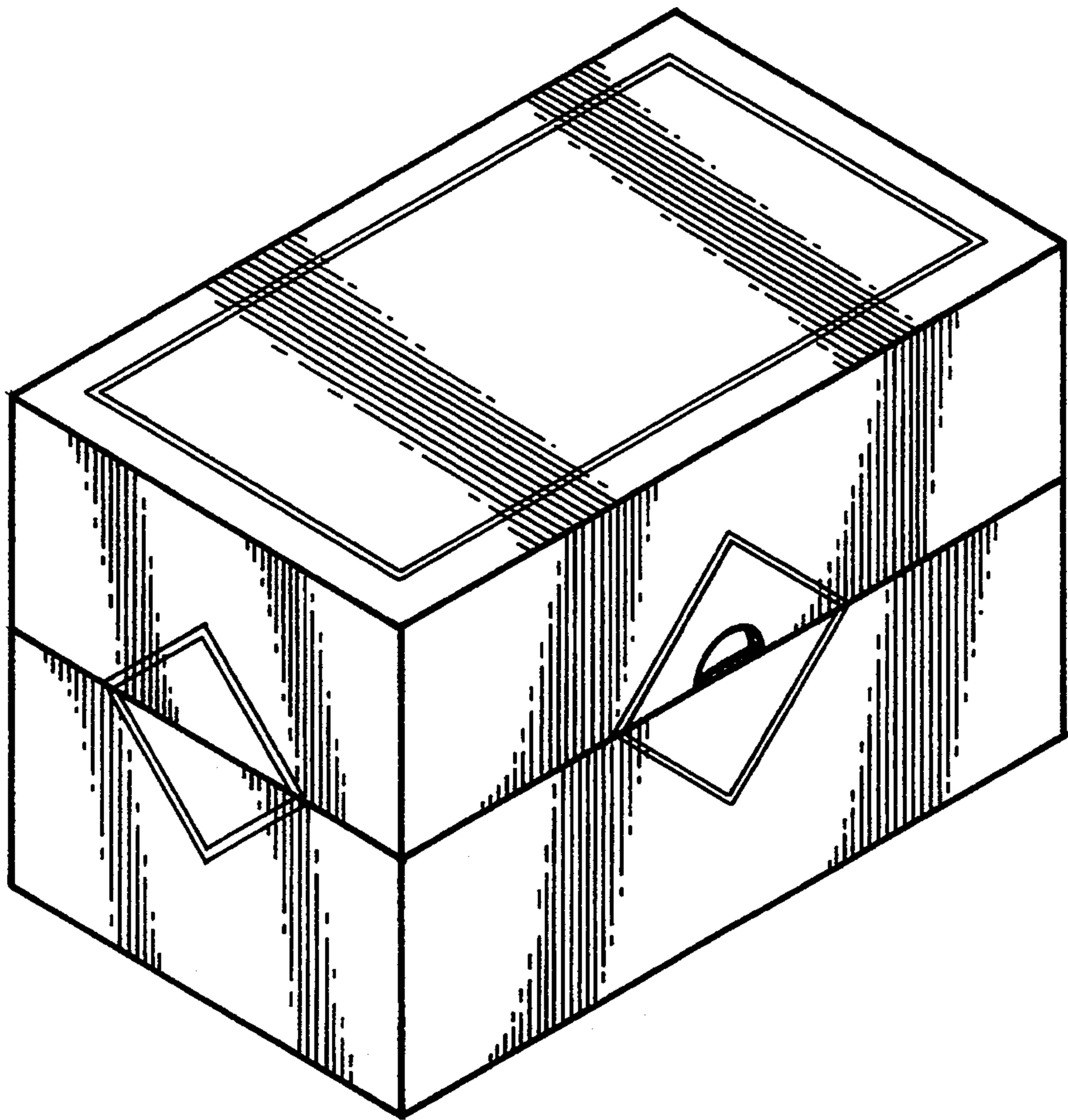


FIG.1

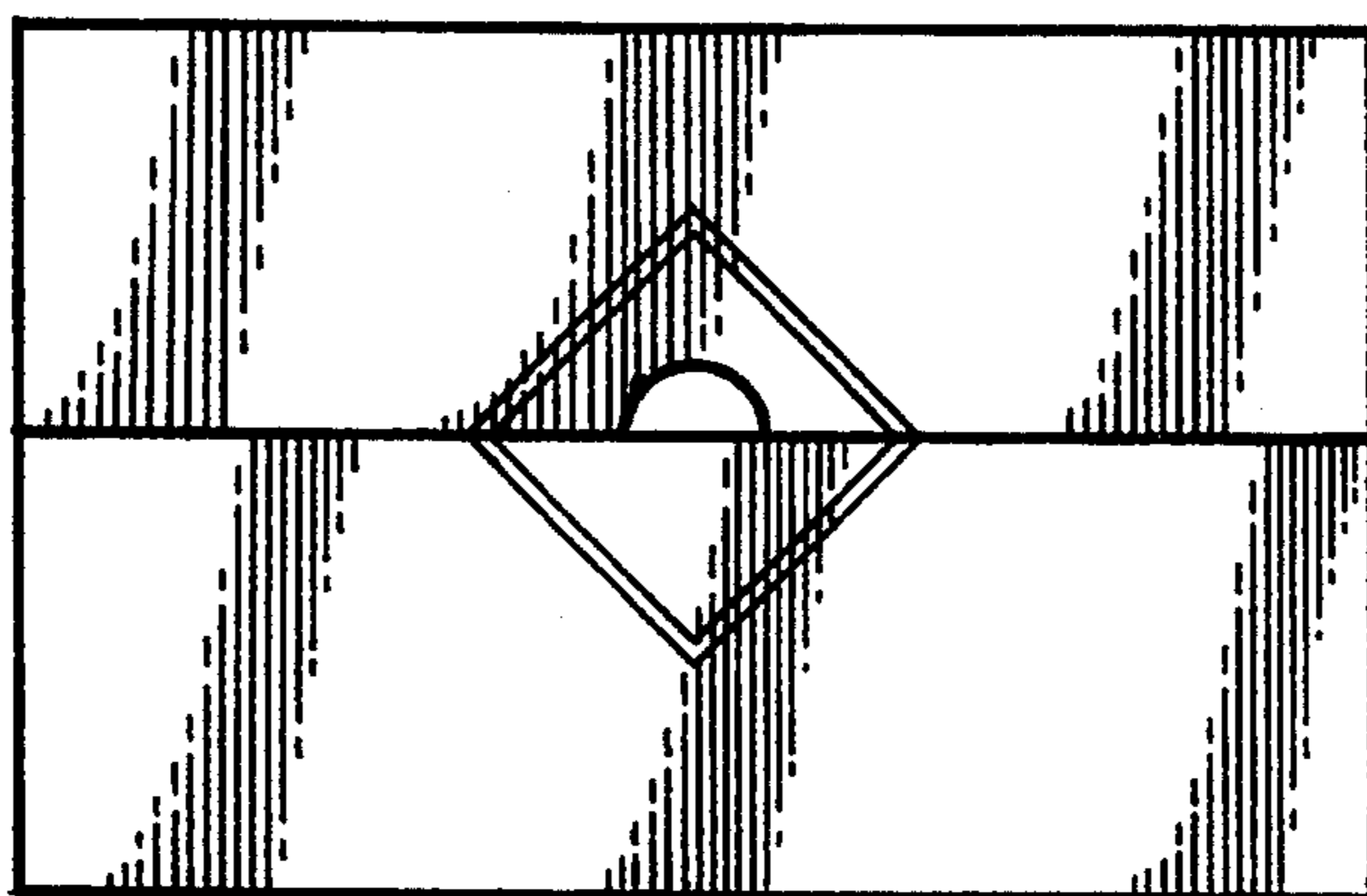


FIG. 2

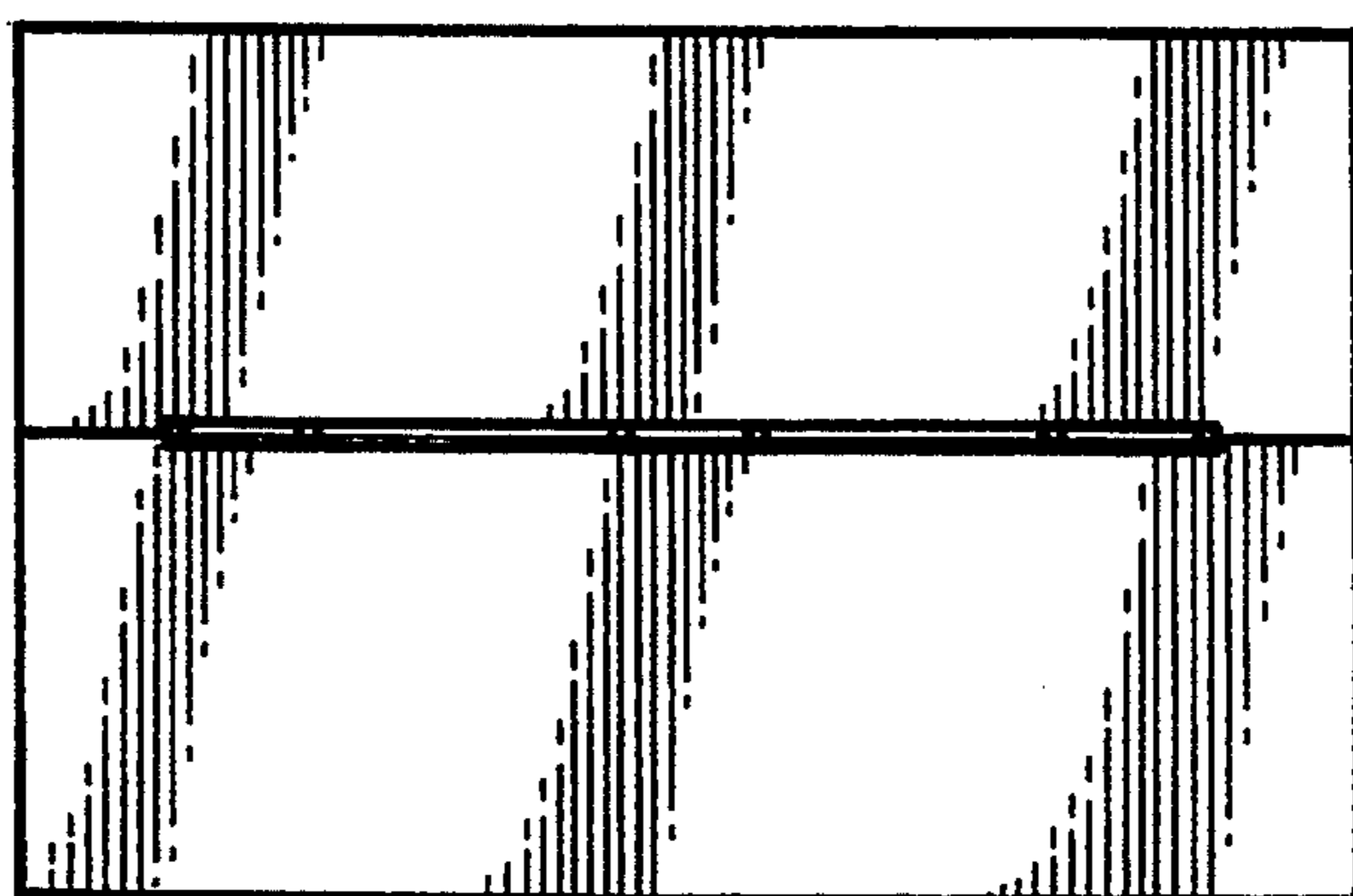


FIG. 3

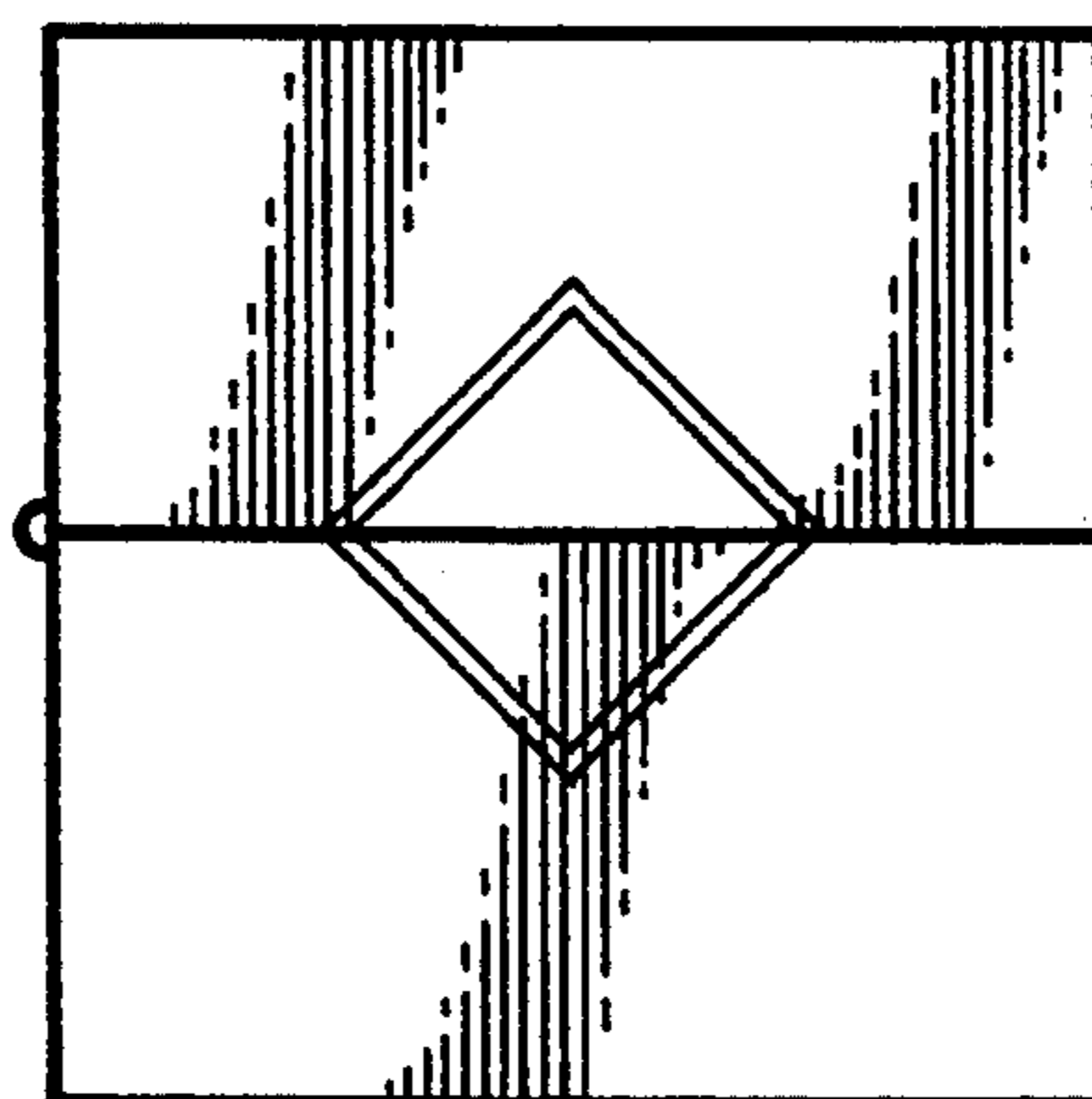


FIG. 4

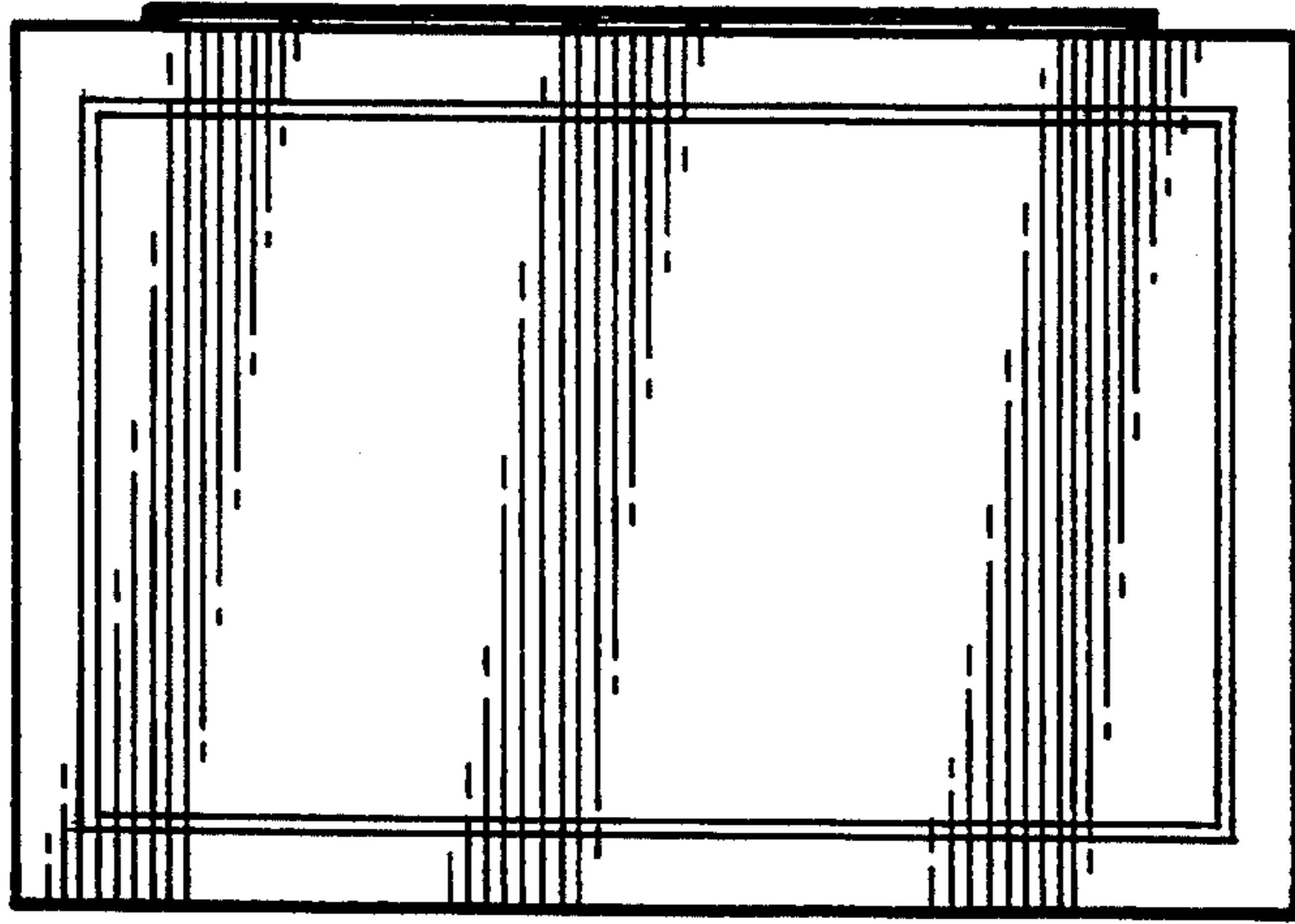


FIG. 5

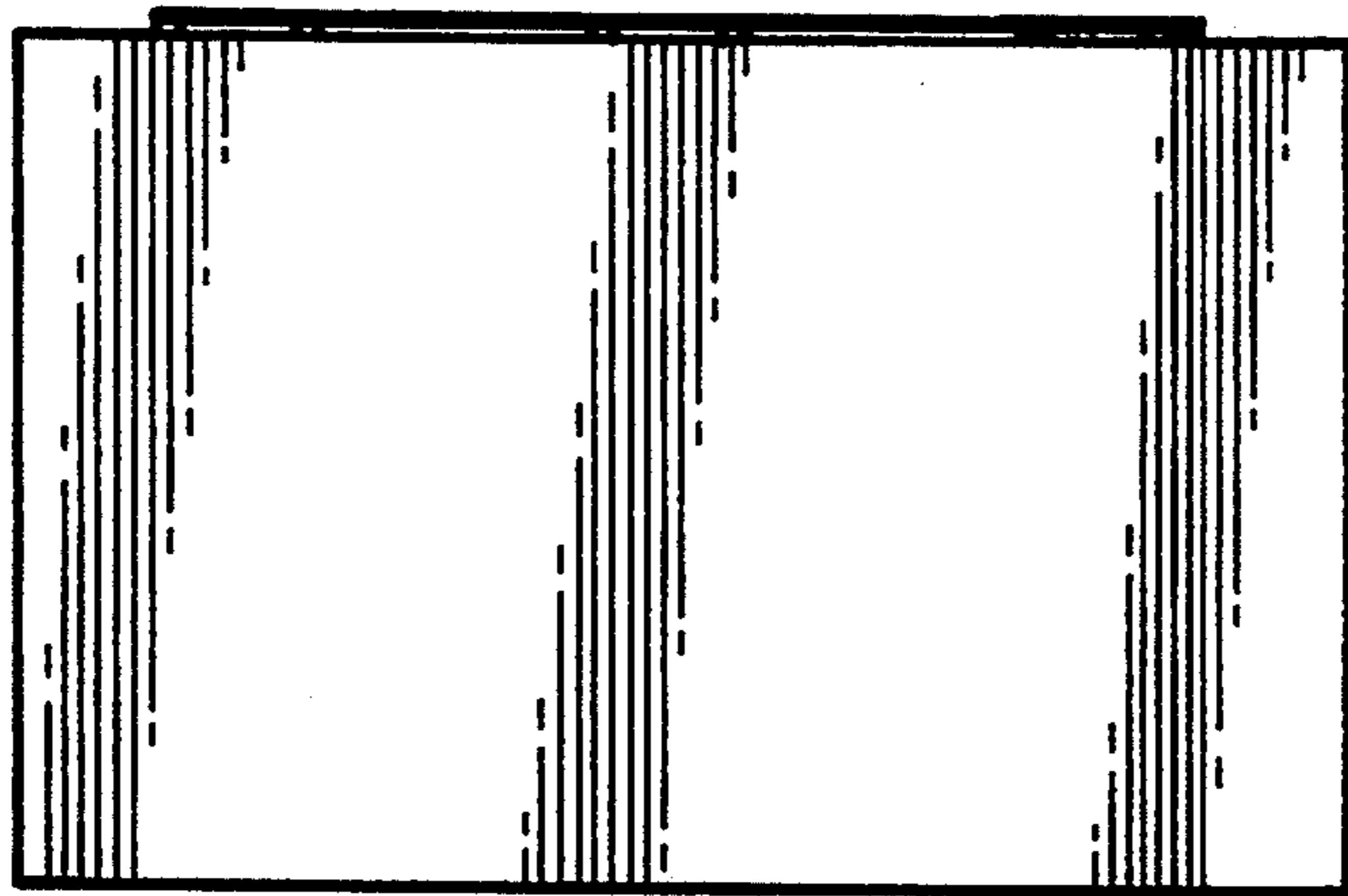


FIG. 6