



US00D354654S

# United States Patent [19] Mallen

[11] Patent Number: **Des. 354,654**

[45] Date of Patent: **\*\* Jan. 24, 1995**

[54] **SUPPORT FOR HANGING/DRYING  
SPORTS EQUIPMENT**

[75] Inventor: **Frank Mallen, Dollard Des  
Ormeaux, Canada**

[73] Assignee: **Malenger Inc., Dollar-des-Ormeaux,  
Canada**

[\*\*] Term: **14 Years**

[21] Appl. No.: **15,918**

[22] Filed: **Dec. 2, 1993**

[30] **Foreign Application Priority Data**

Jun. 4, 1993 [CA] Canada ..... 406935

[52] U.S. Cl. .... **D6/552; D6/411**

[58] Field of Search ..... **D6/552, 410, 411;  
D32/58-59; 211/13, 30, 181, 195, 204-206;  
248/127, 176, 175**

[56] **References Cited**

**U.S. PATENT DOCUMENTS**

74,299	8/1896	Deaner .	
D. 320,898	10/1991	Dyess .....	D6/411
D. 327,993	7/1992	Brunner .....	D6/411
2,919,818	1/1960	Clegg et al. ....	211/181 X
3,532,224	10/1970	Grubb et al. ....	211/206
4,545,514	10/1985	Toy .	

*Primary Examiner*—Brian N. Vinson  
*Attorney, Agent, or Firm*—McFadden, Fincham

[57] **CLAIM**

The ornamental design for a support for hanging/drying sports equipment, as shown.

**DESCRIPTION**

FIG. 1 is a top, front, and left side perspective view of a support for hanging/drying sports equipment showing my new design;

FIG. 2 is a front elevational view thereof;

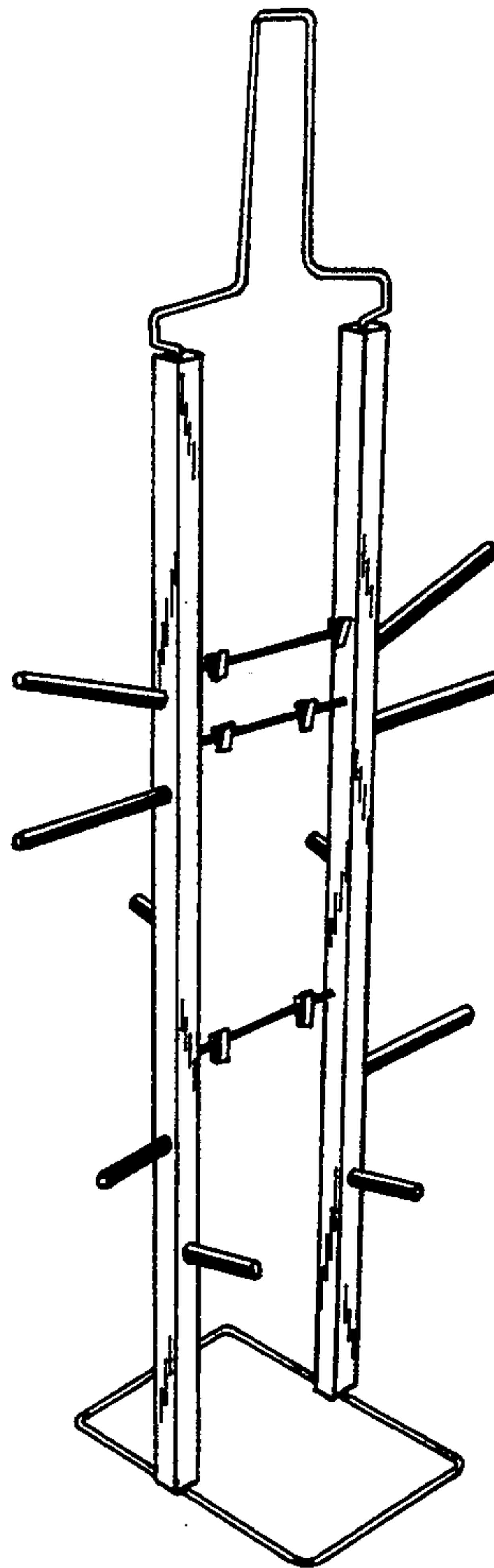
FIG. 3 is a rear elevational view thereof;

FIG. 4 is a right side elevational view thereof;

FIG. 5 is a left side elevational view thereof;

FIG. 6 is a top plan view thereof; and,

FIG. 7 is a bottom plan view thereof.



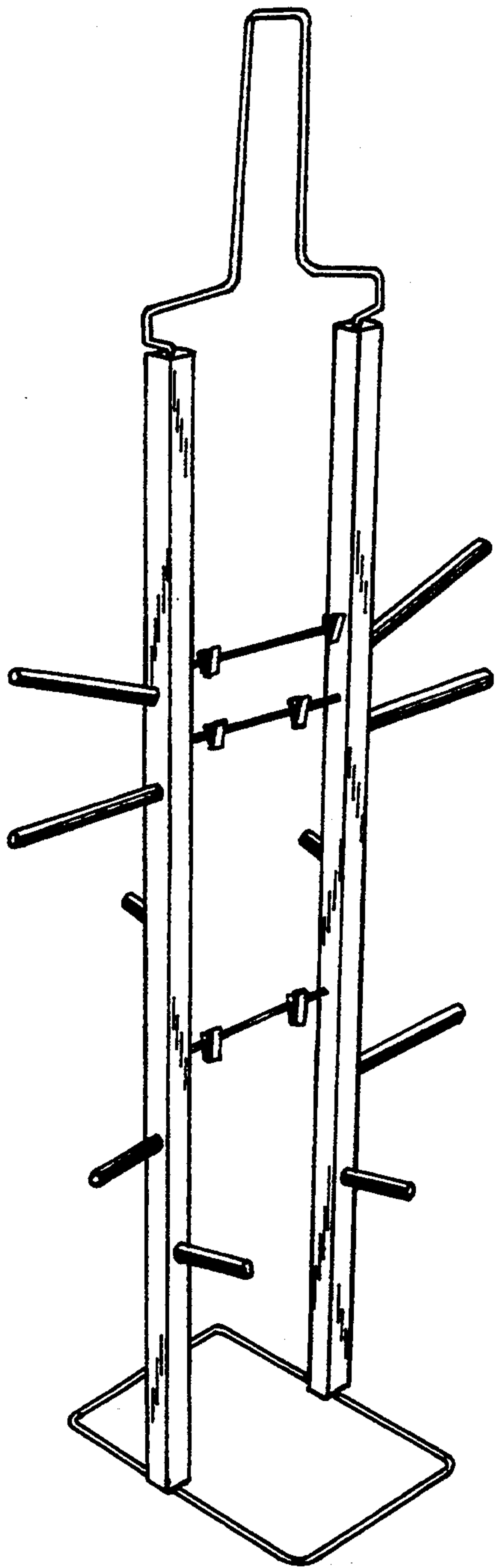


Fig. 1

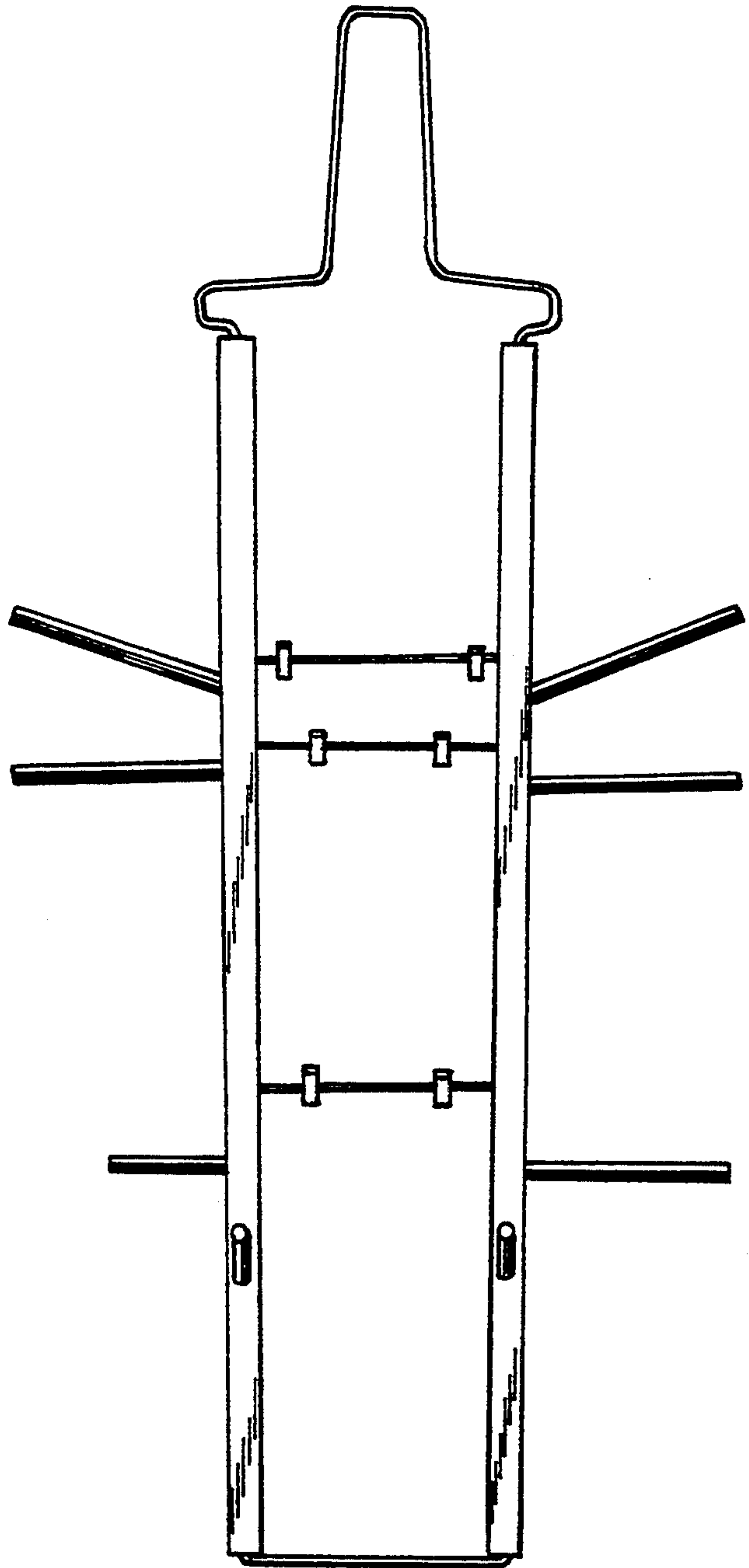


Fig. 2

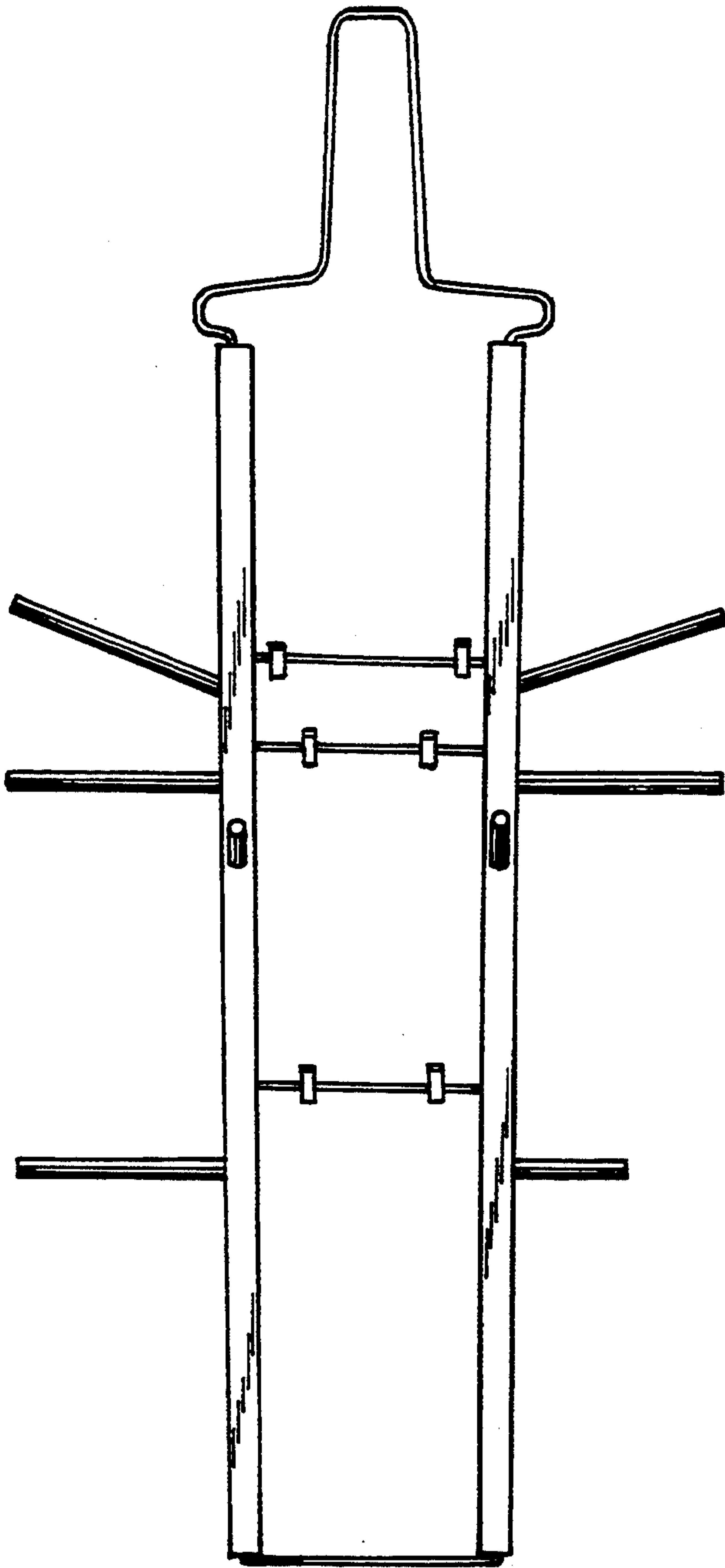


Fig. 3

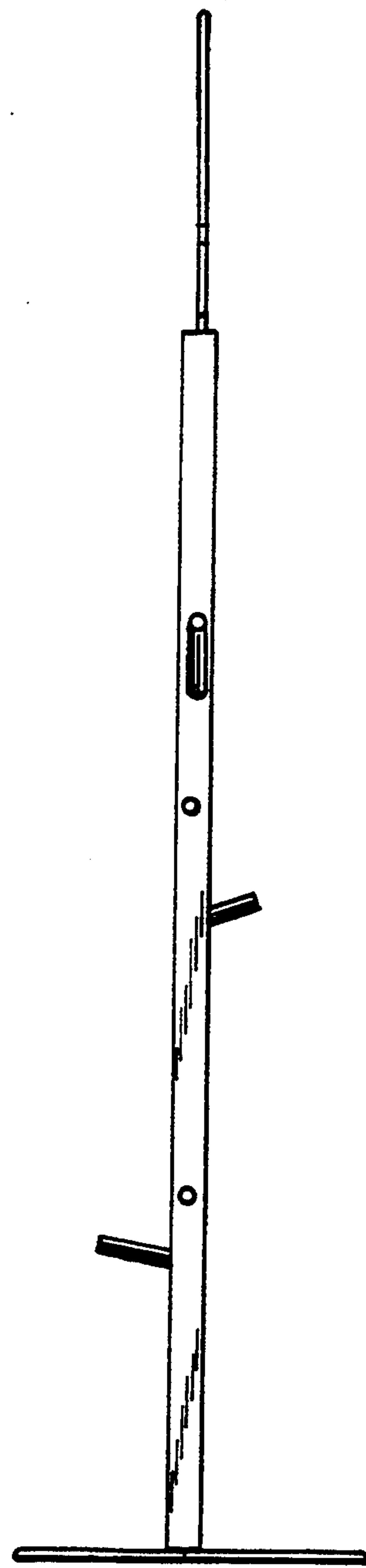


Fig. 4

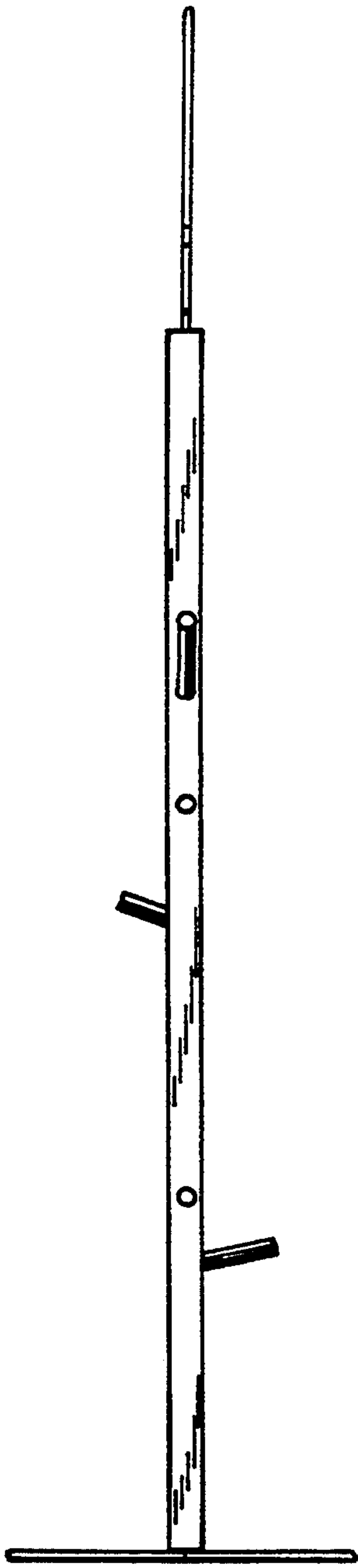


Fig. 5

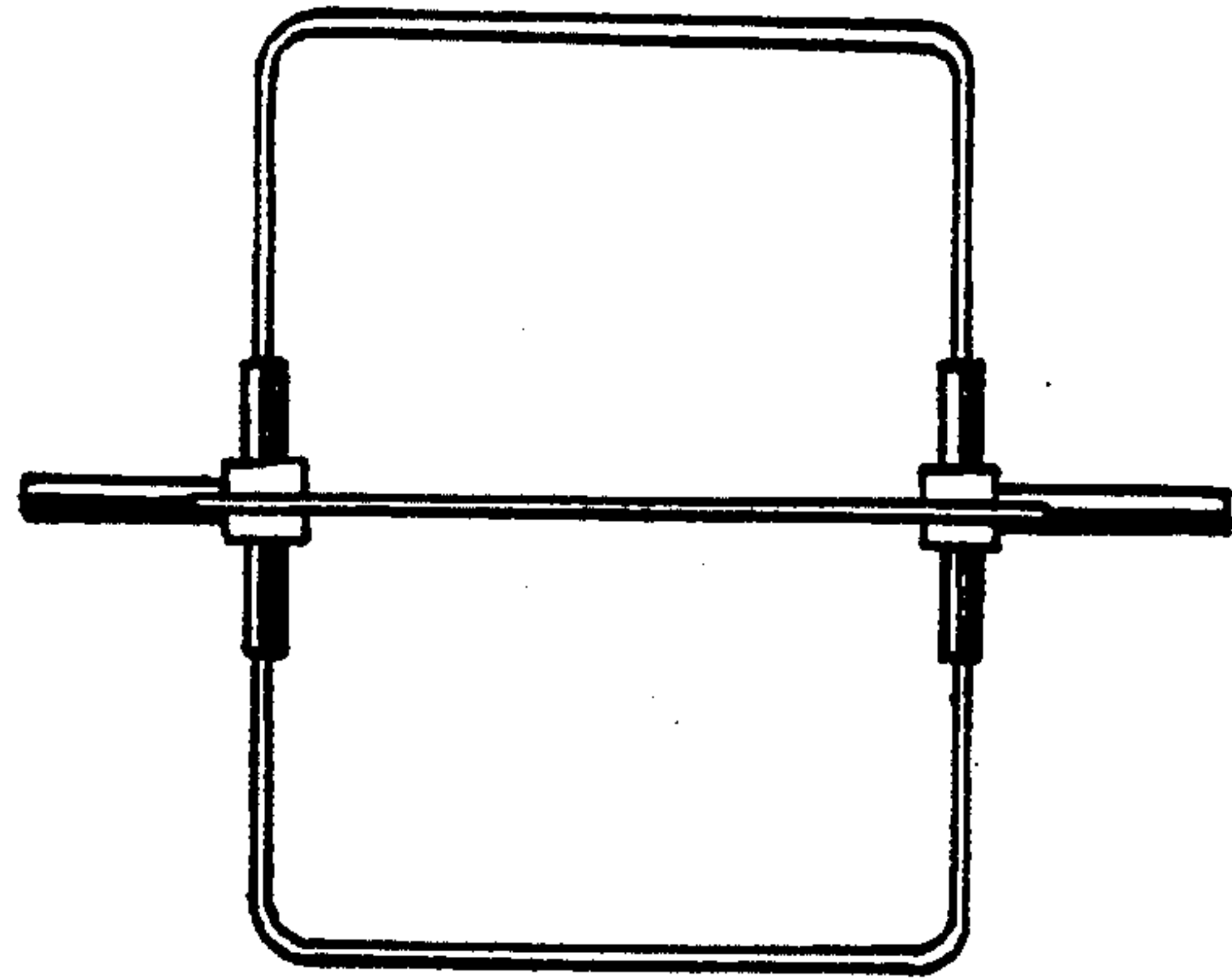


Fig. 6

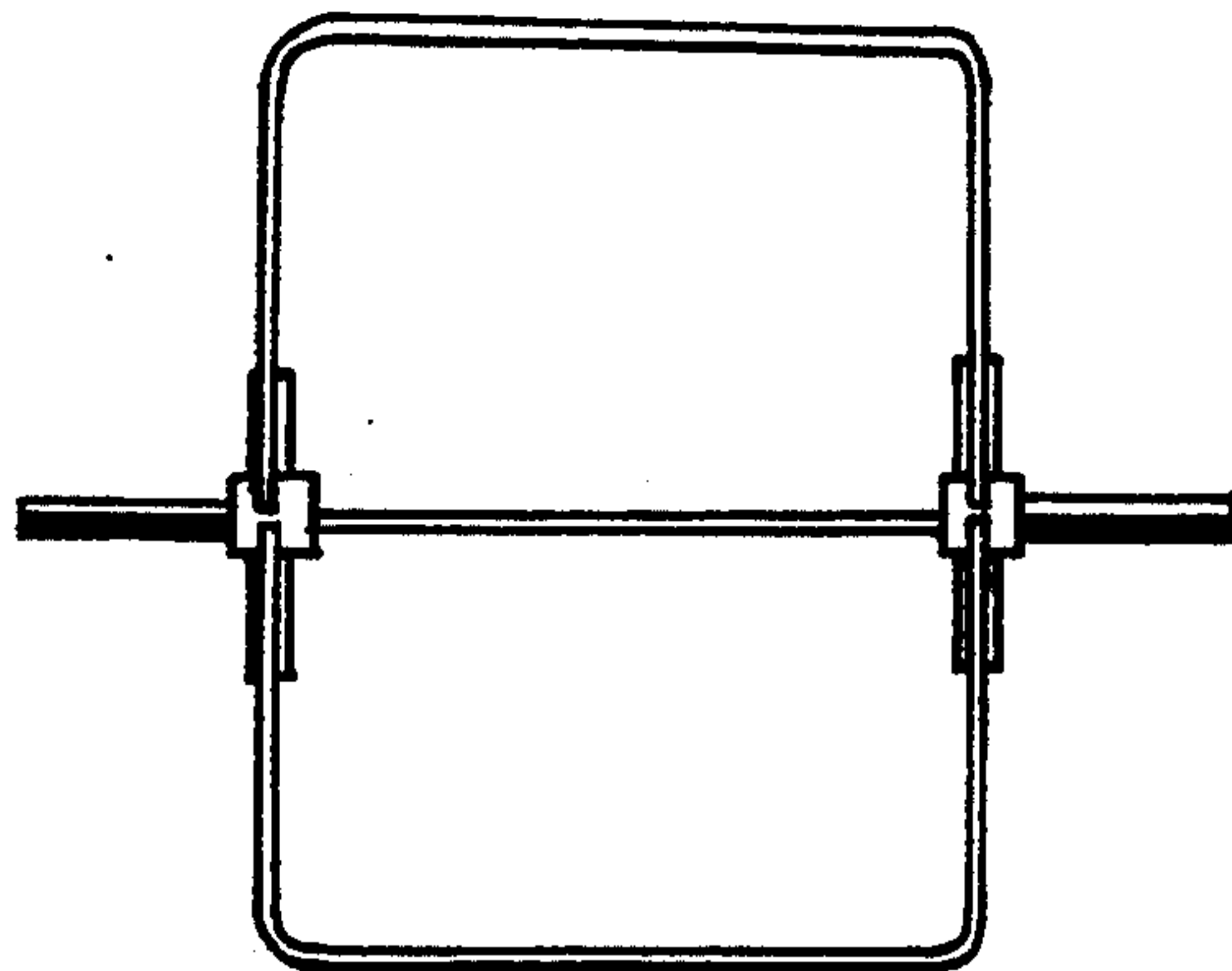


Fig. 7