



US00D354652S

United States Patent [19] Sanders

[11] Patent Number: **Des. 354,652**

[45] Date of Patent: **** Jan. 24, 1995**

[54] **CASE FOR DISKETTES**

[76] Inventor: **Mark A. Sanders**, 16 Green Lane,
Windsor, Berkshire SL4 3SA,
England

[**] Term: **14 Years**

[21] Appl. No.: **1,231**

[22] Filed: **Nov. 6, 1992**

[30] **Foreign Application Priority Data**

May 6, 1992 [GB] United Kingdom 2022701

[52] U.S. Cl. **D6/632; D6/629**

[58] Field of Search **D3/30.1, 33; 206/387,
206/444; D6/407, 626, 629, 632, 634, 635**

[56] **References Cited**

U.S. PATENT DOCUMENTS

- D. 209,035 10/1967 Robert D3/35
- D. 231,641 5/1974 Christiansen D3/33
- D. 314,213 1/1991 Bishop D3/30.1
- D. 316,180 4/1991 Hines D3/30.1

Primary Examiner—C. A. Murphy
Assistant Examiner—Celia A. Murphy
Attorney, Agent, or Firm—Davis, Bujold & Streck

[57] **CLAIM**

The ornamental design for a case for diskettes, as shown and described.

DESCRIPTION

FIG. 1 is a top, front, left end perspective view of a case for diskettes embodying my new design;

FIG. 2 is a top, front, left and perspective view of the case for diskettes of FIG. 1, in an open position;

FIG. 3 is a bottom plan view of the open case for diskettes of FIG. 2;

FIG. 4 is a left end elevational view of the case for diskettes shown in FIG. 1, the right end view being a mirror image thereof;

FIG. 5 is a rear elevational view of the case for diskettes of FIG. 1; and,

FIG. 6 is a front elevational view of the case for diskettes of FIG. 1.

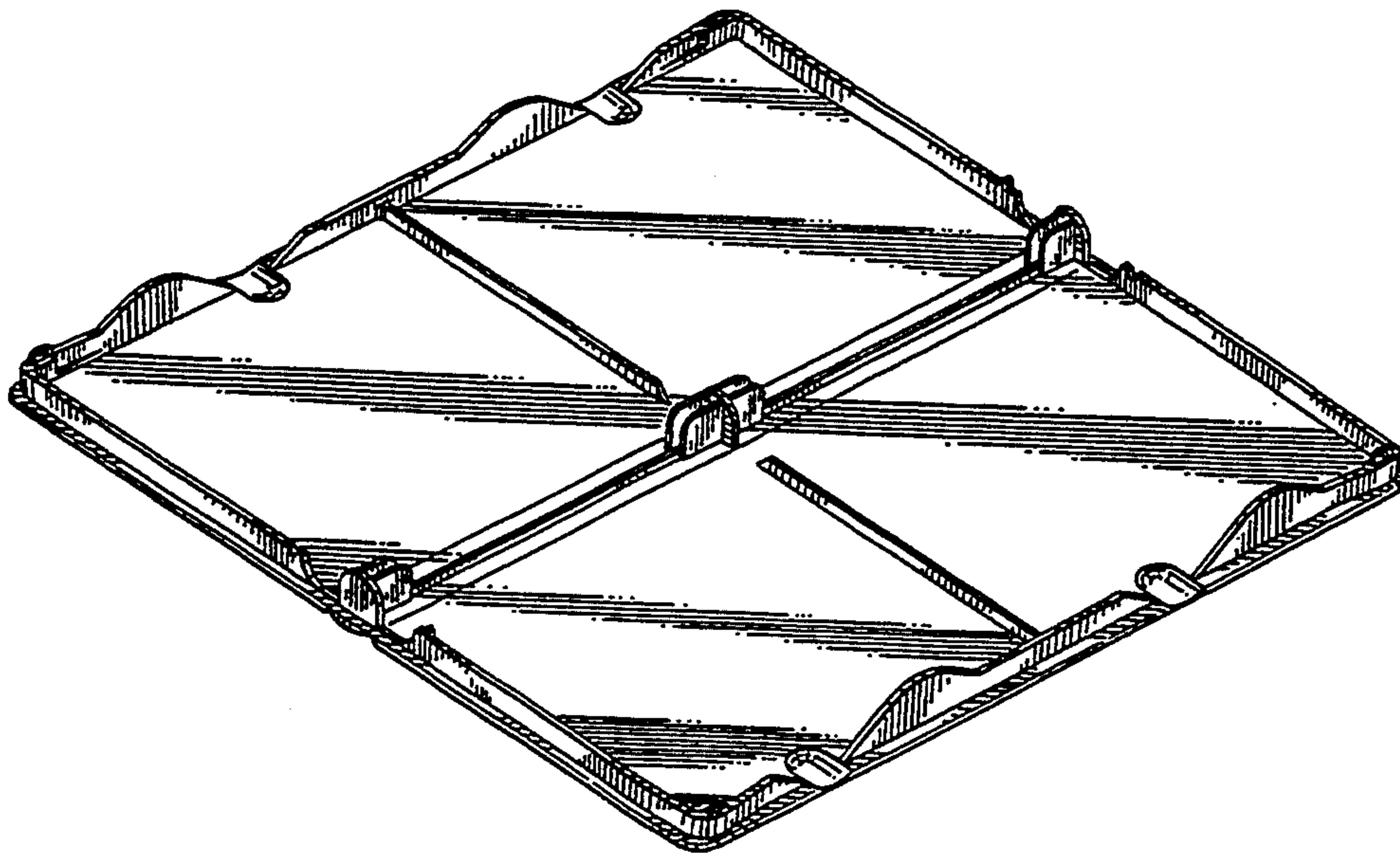
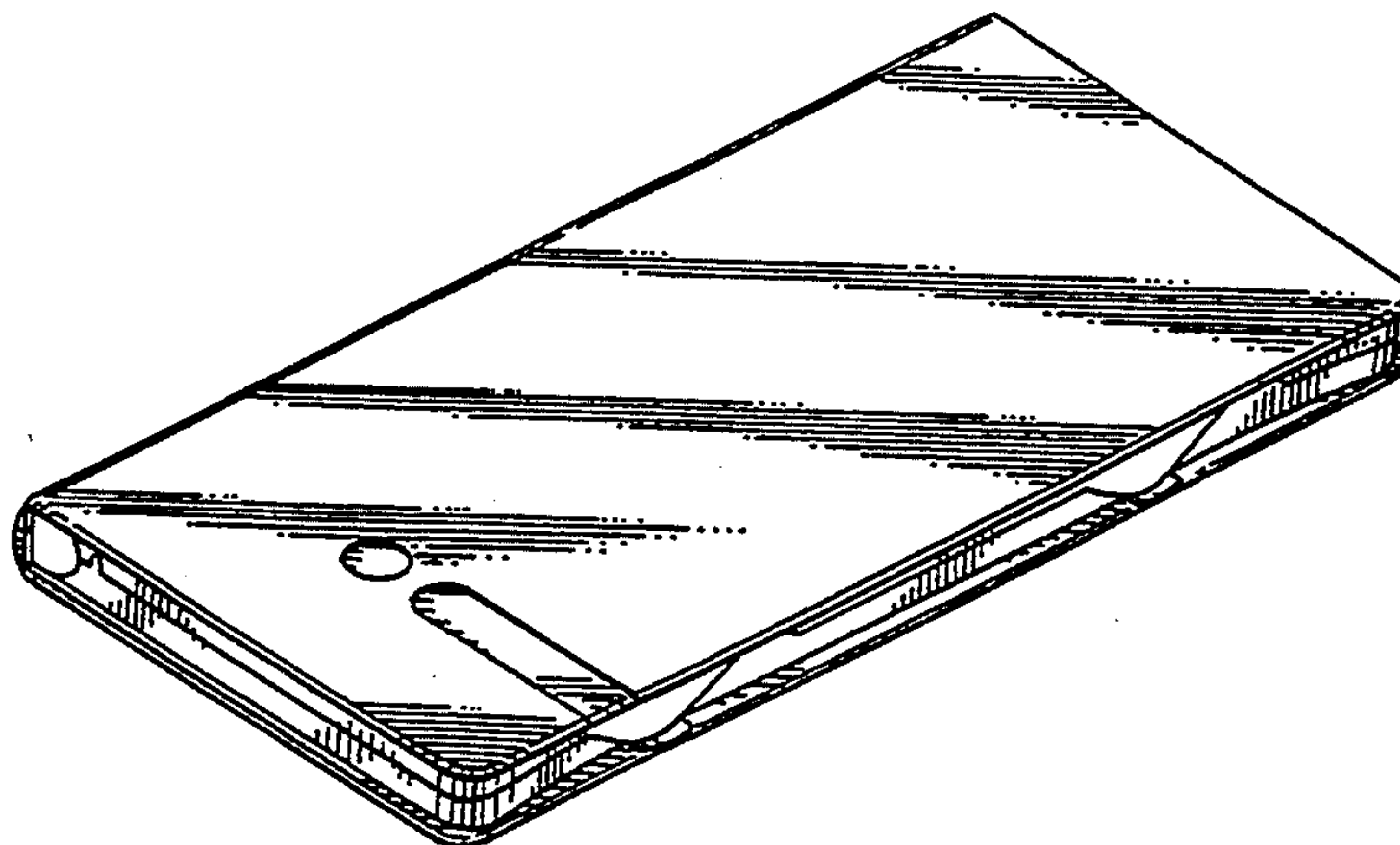


FIG. 1

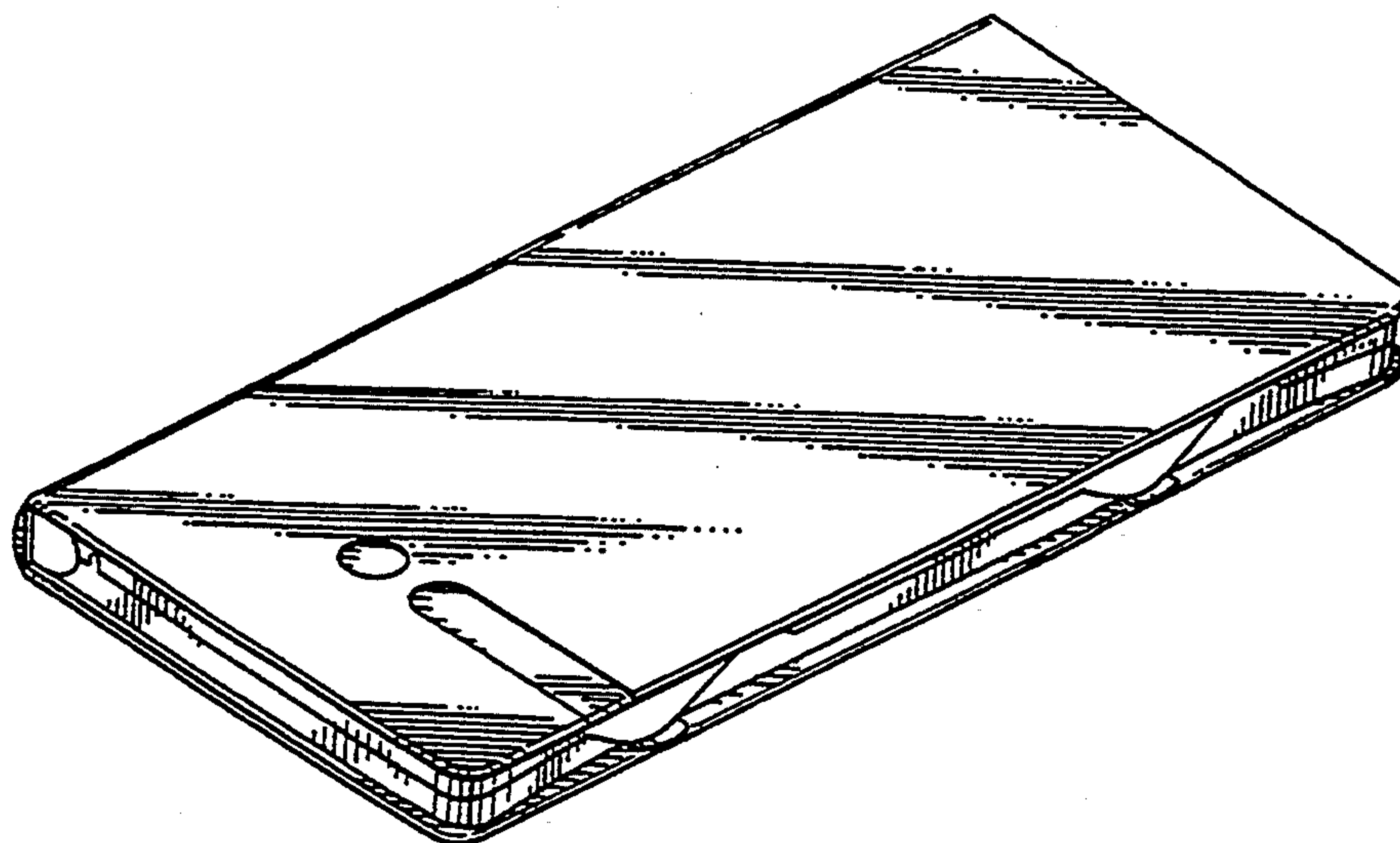


FIG. 2

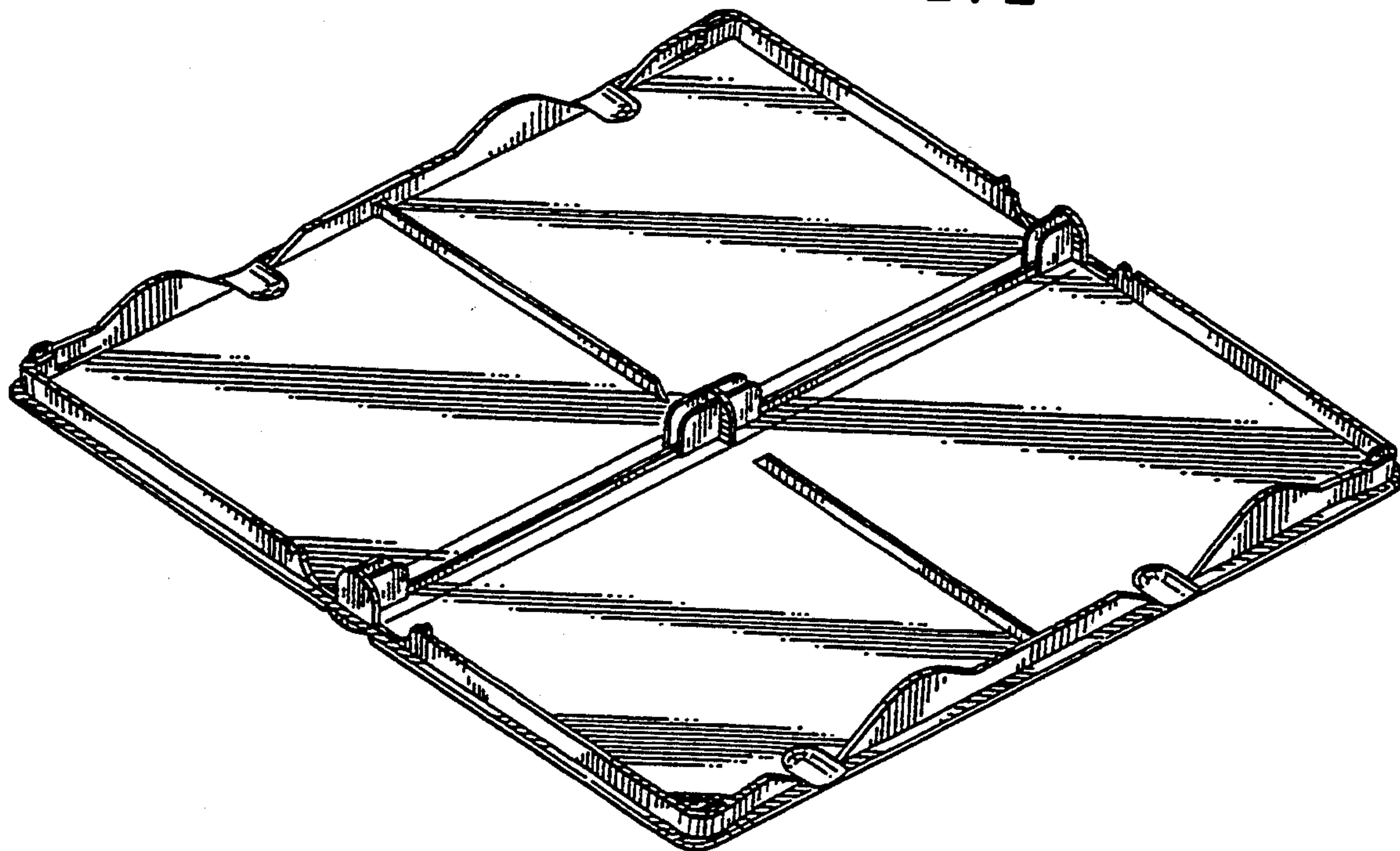


FIG. 3

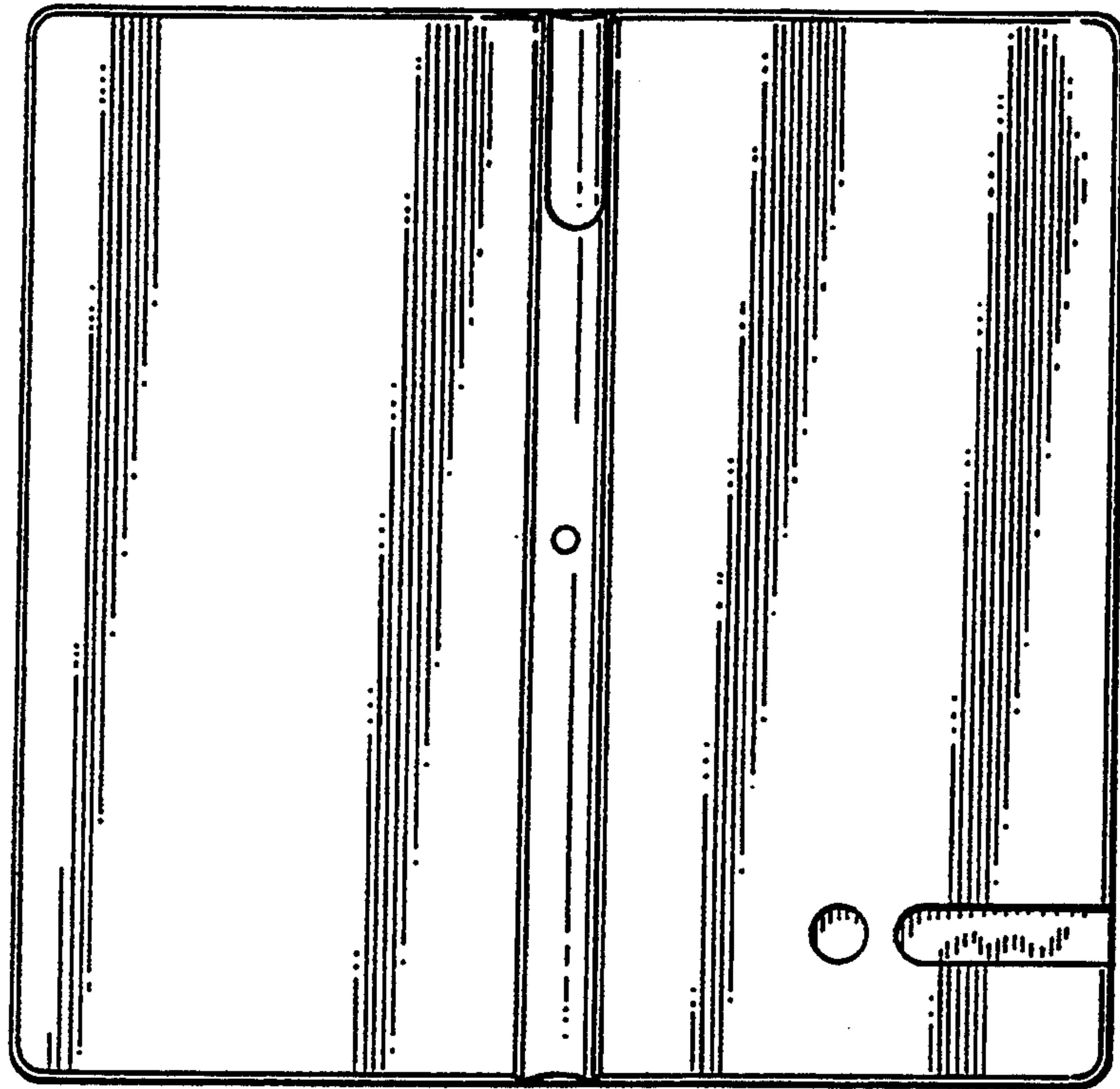


FIG. 4



FIG. 5



FIG. 6

