



US00D354646S

# United States Patent [19]

Weinstein

[11] Patent Number: **Des. 354,646**

[45] Date of Patent: **\*\* Jan. 24, 1995**

[54] **BROCHURE RACK**

[75] Inventor: **Jeffrey Weinstein, Berkeley, Calif.**

[73] Assignee: **Plastic Works Inc., Berkeley, Calif.**

[\*\*] Term: **14 Years**

[21] Appl. No.: **8,802**

[22] Filed: **May 26, 1993**

[52] U.S. Cl. .... **D6/567; D6/570; D6/571**

[58] Field of Search ..... **D6/512, 515, 553, 567; 211/13, 50, 59.2, 88; 221/22, 33, 45, 92, 282-283; 312/198**

[56] **References Cited**

**U.S. PATENT DOCUMENTS**

D. 279,638	7/1985	Kellogg	.....	D6/553 X
D. 279,745	7/1985	Kellogg	.....	D6/553 X
D. 326,789	6/1992	Davis	.....	D6/567
D. 339,014	9/1993	Giugiaro	.....	D6/518
3,626,150	12/1971	Kress	.....	211/59.2

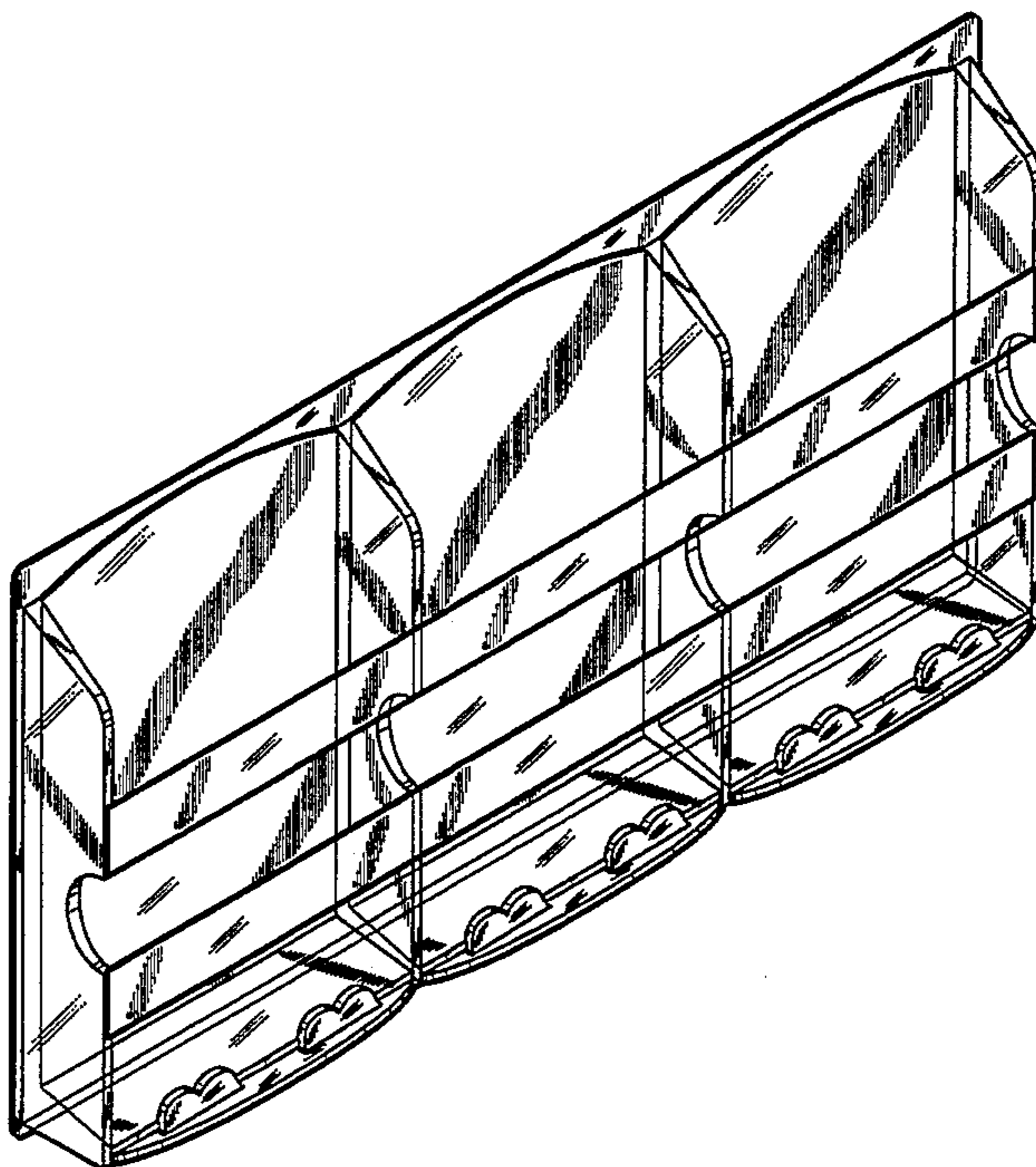
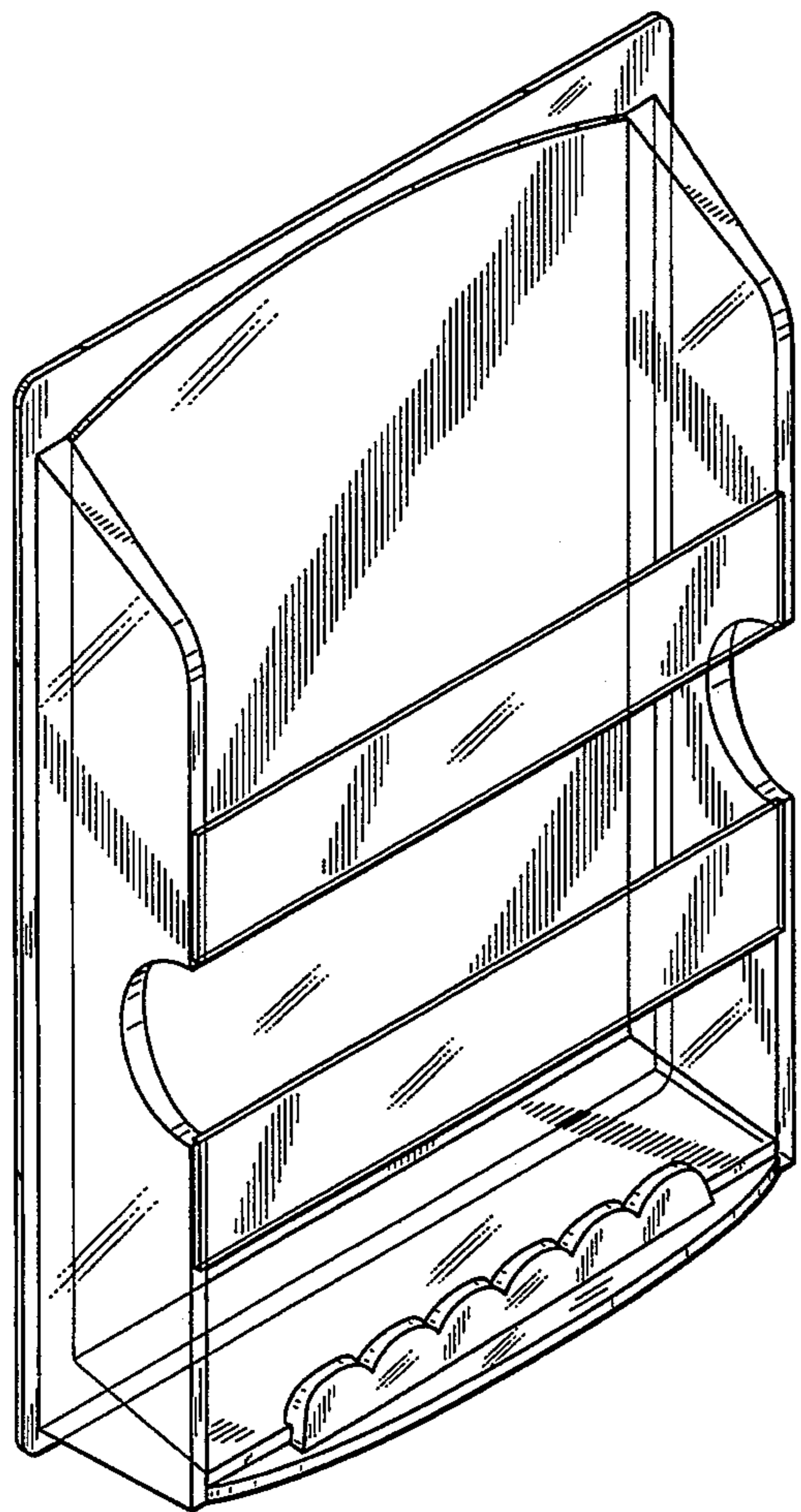
*Primary Examiner*—Brian N. Vinson

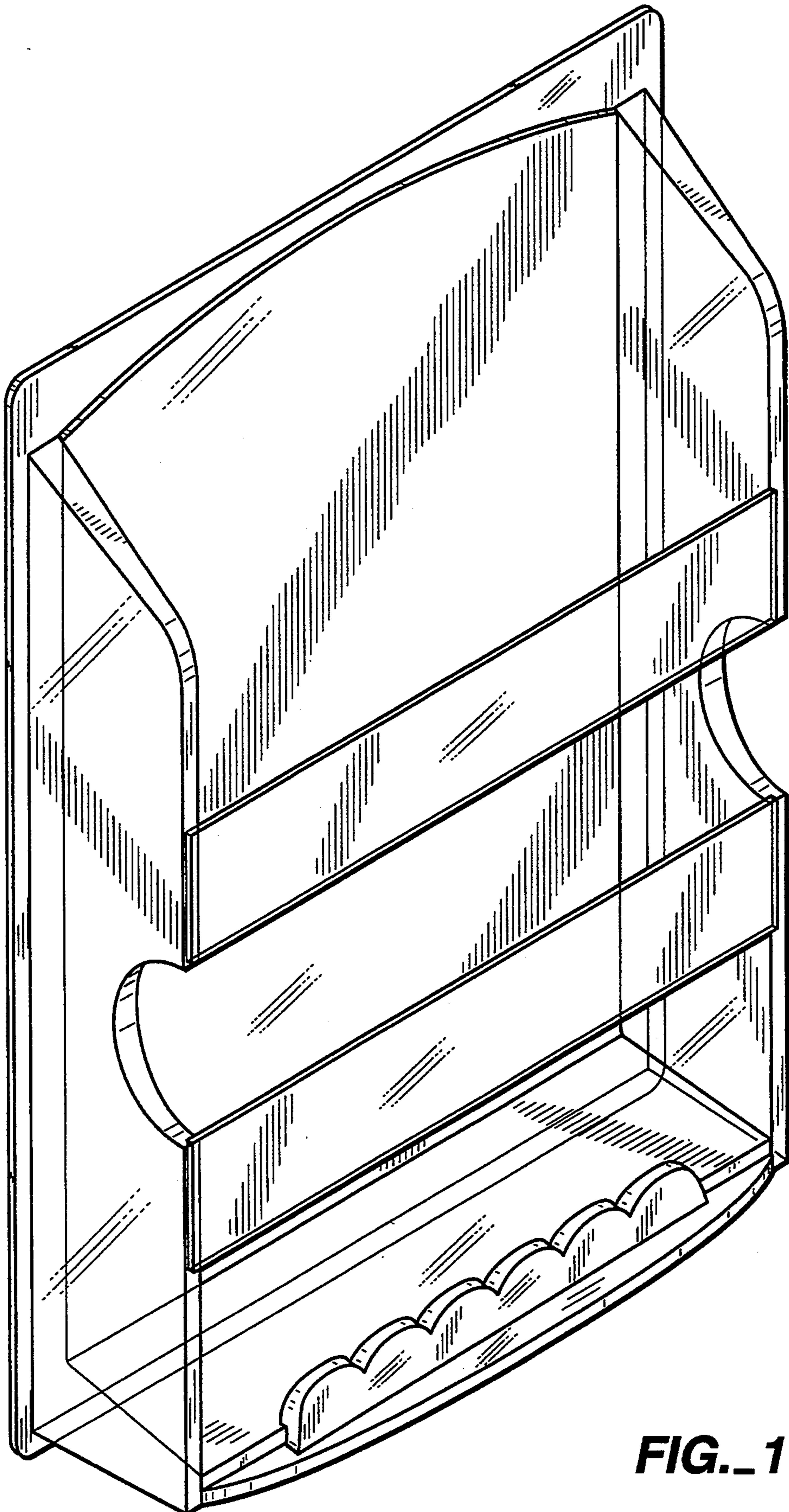
[57] **CLAIM**

The ornamental design for a brochure rack, as shown and described.

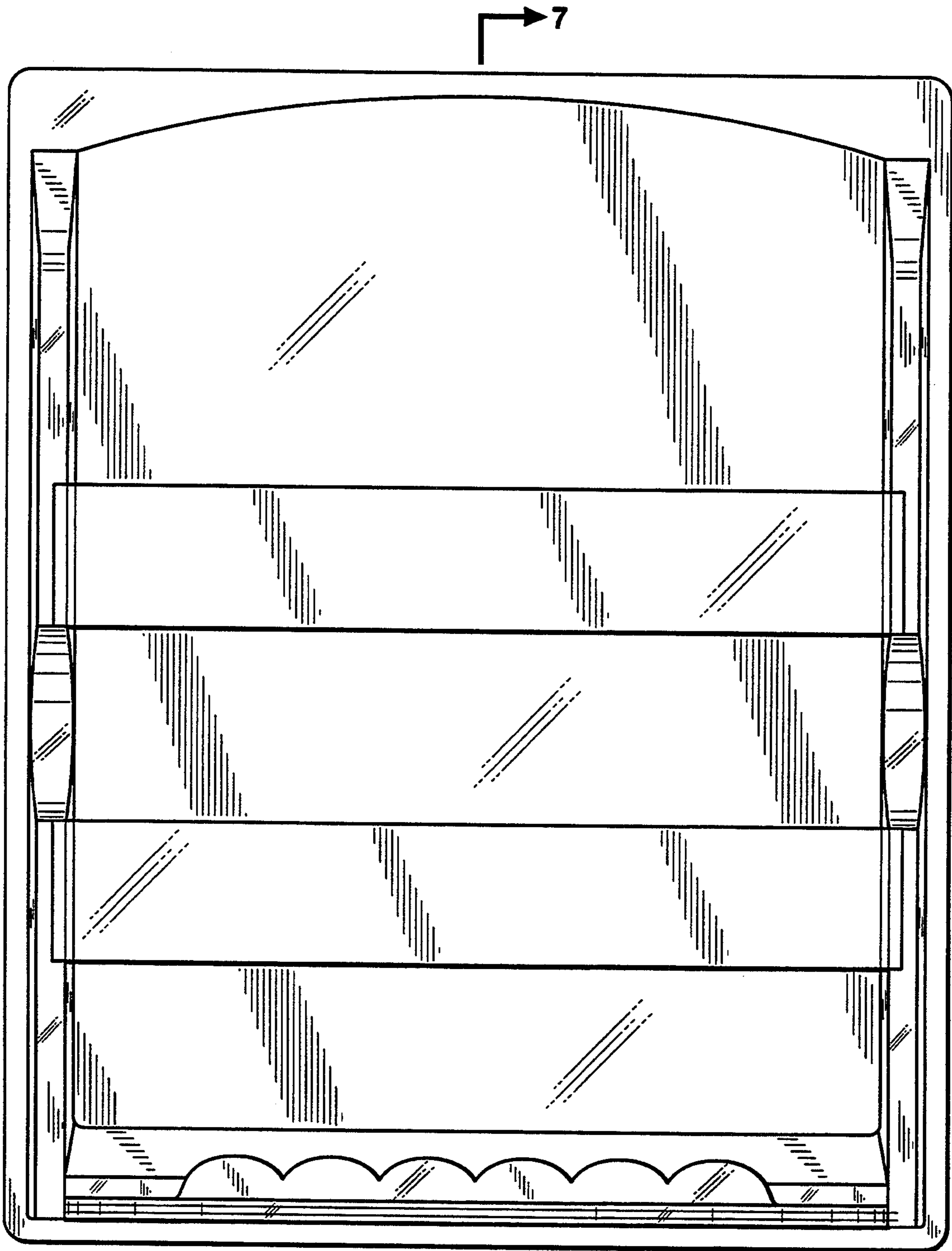
**DESCRIPTION**

FIG. 1 is a perspective view of a brochure rack showing my new design;  
 FIG. 2 is a front view;  
 FIG. 3 is a section view taken along the line A-A of FIG. 2;  
 FIG. 4 is a top view;  
 FIG. 5 is a bottom view;  
 FIG. 6 is a rear view;  
 FIG. 7 is a left side view, the right side view is identical;  
 FIG. 8 is a front view of a second embodiment of the design which is identical to the design of FIG. 1 except for the restraining members at the front of the interior bottom panel;  
 FIG. 9 is a perspective view of a third embodiment of the design in which multiple racks of the design of FIG. 8 are aligned side-by-side; and,  
 FIG. 10 is a front view of a fourth embodiment of the design in which multiple racks of the design of FIG. 1 are aligned one on top of the other.

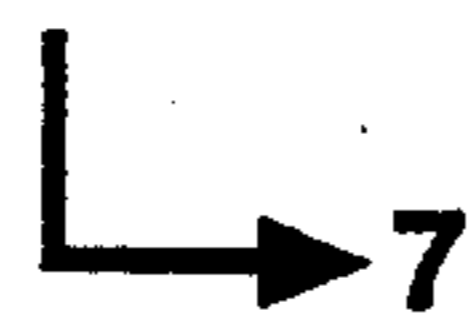


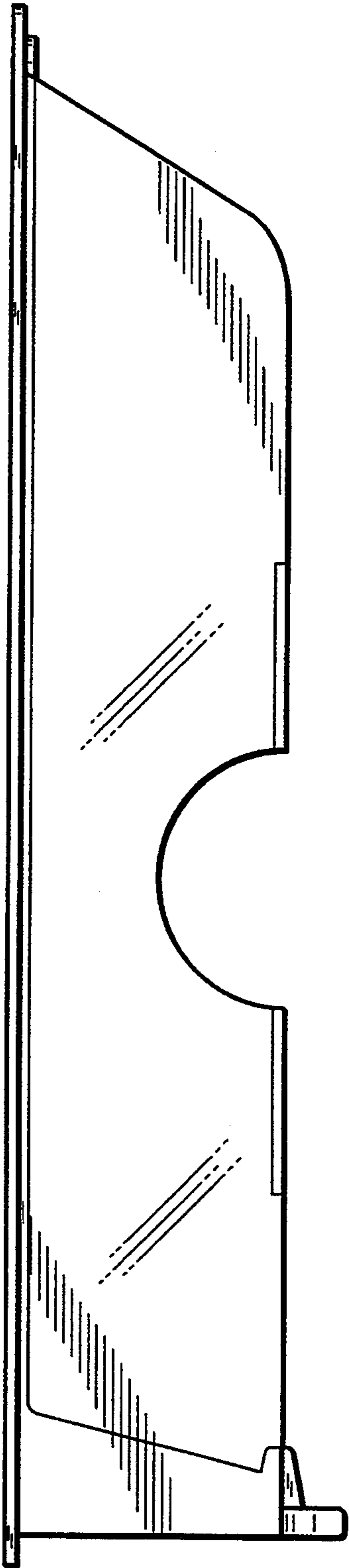


**FIG. 1**

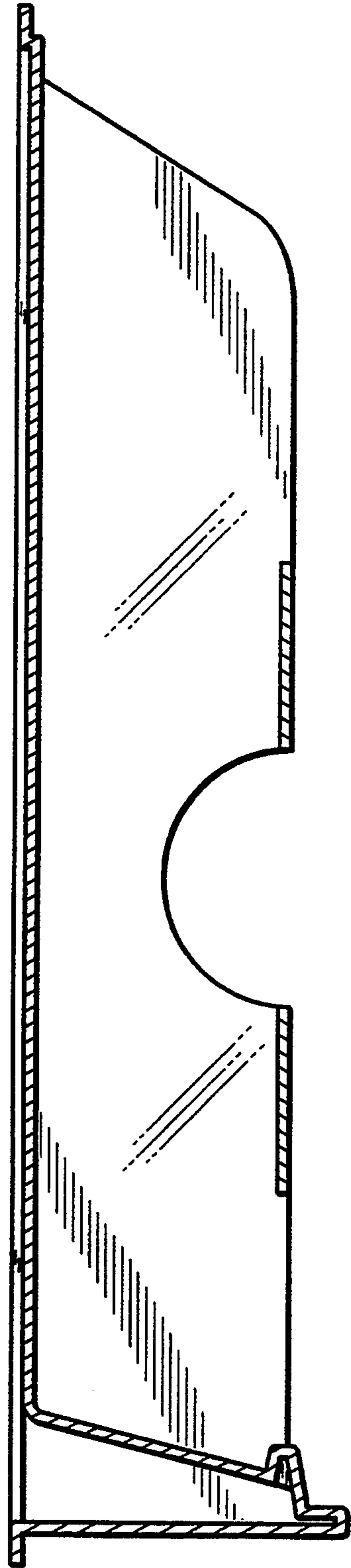


**FIG. 2**

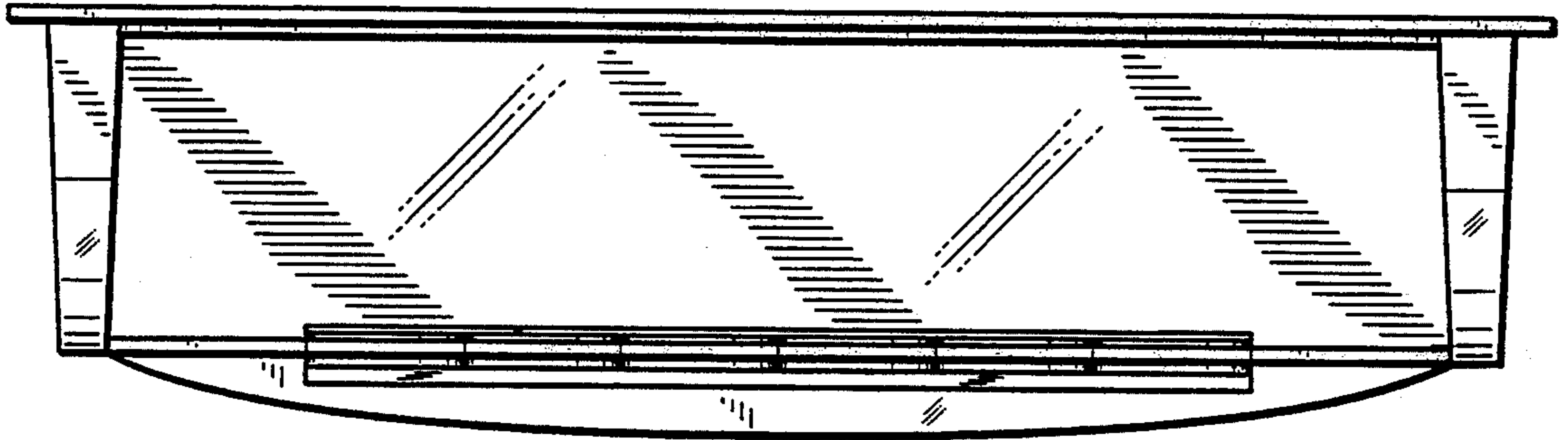




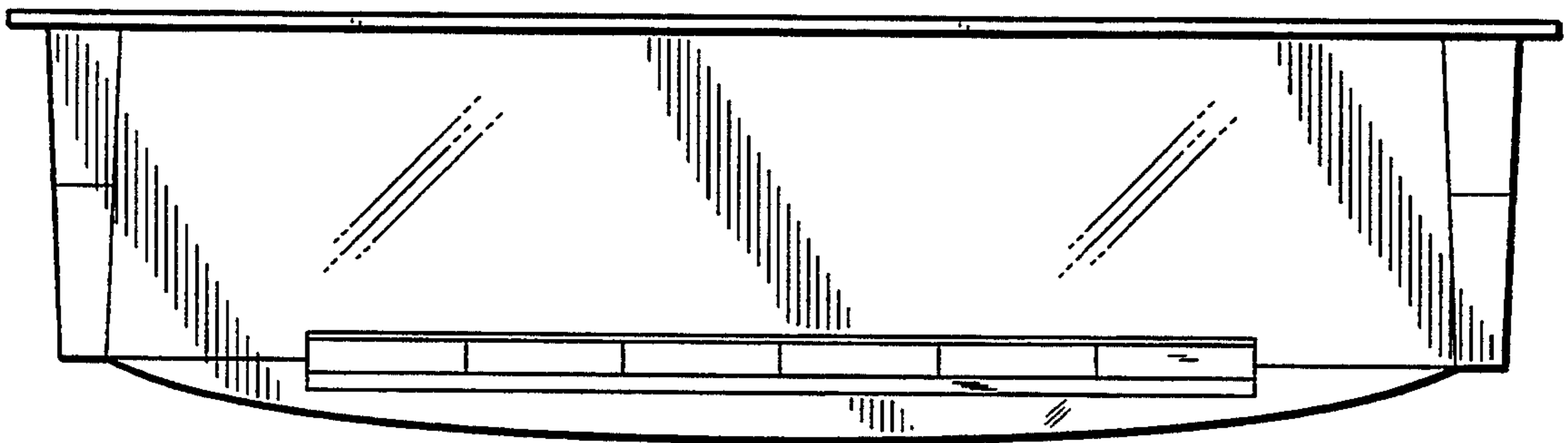
**FIG. 3**



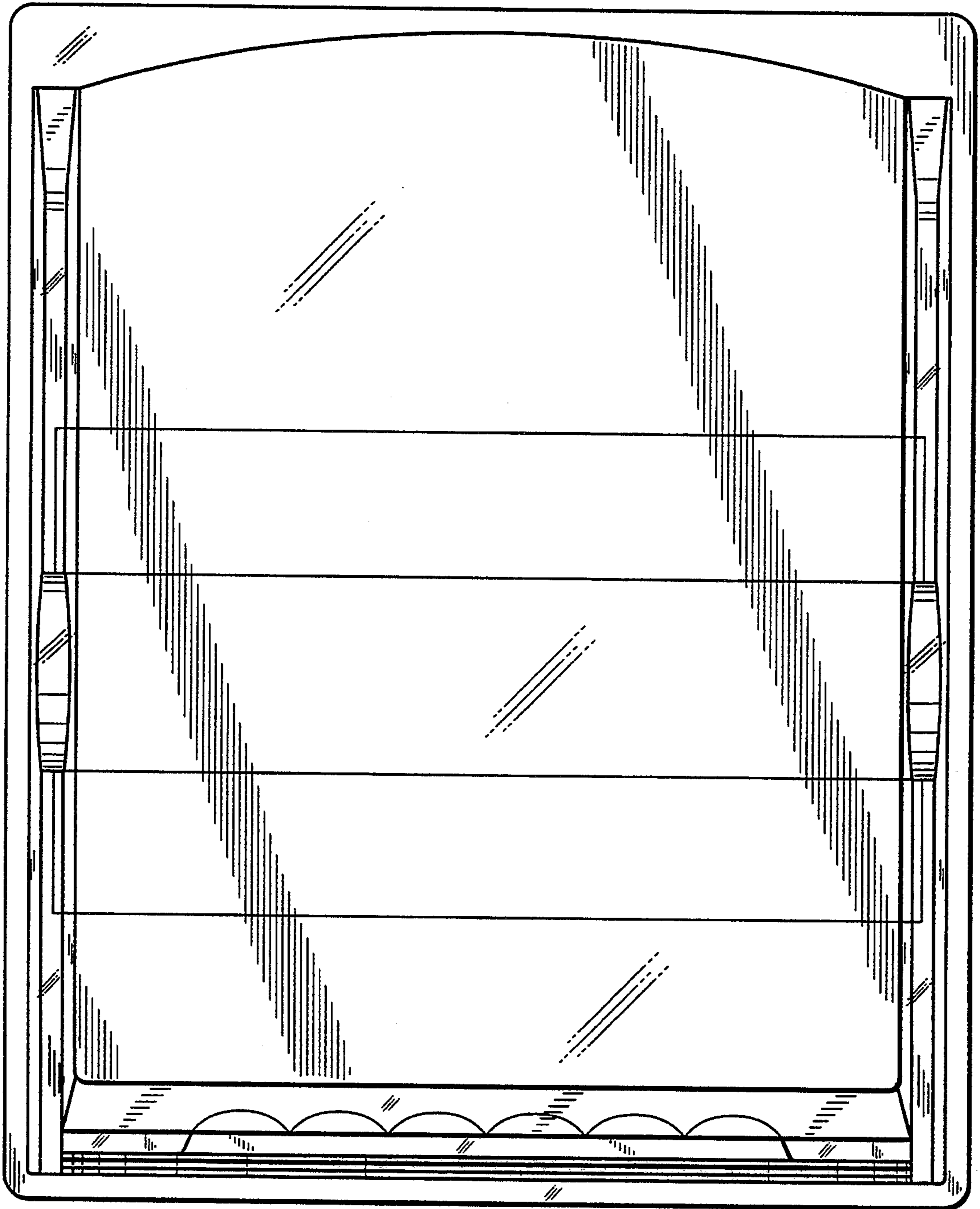
**FIG. 7**



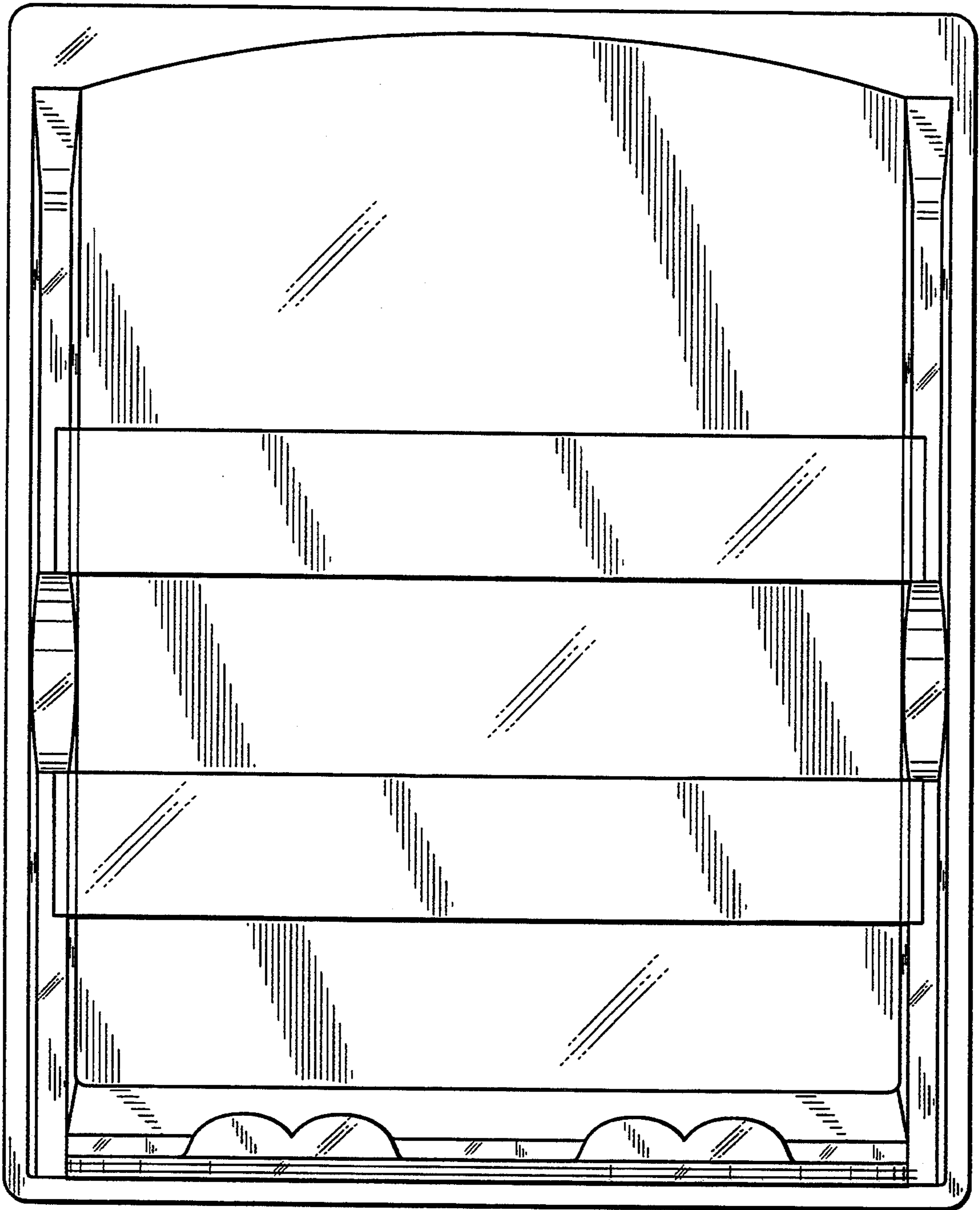
**FIG. 4**



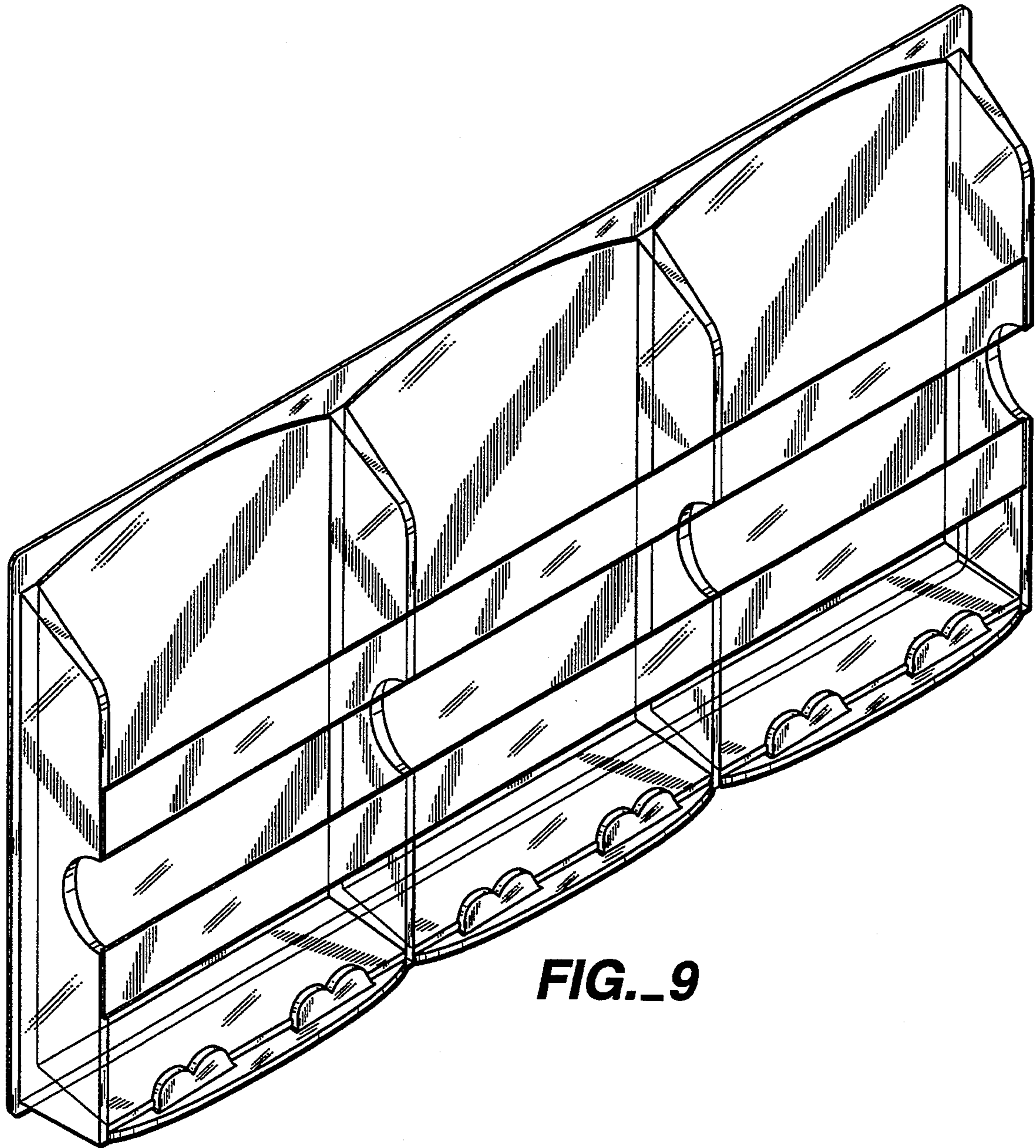
**FIG. 5**



**FIG. 6**

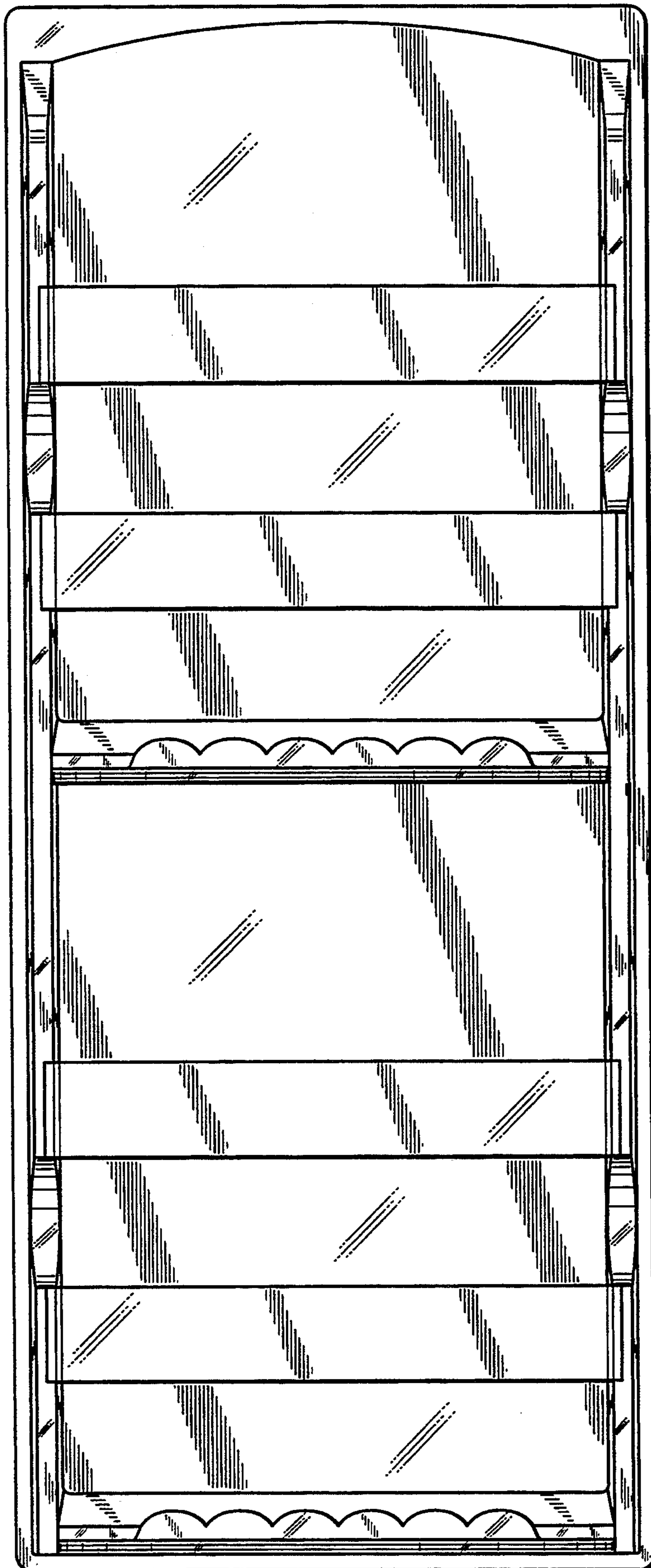


**FIG. 8**



**FIG. 9**





**FIG. 10**