



US00D354643S

United States Patent [19]

[11] Patent Number: **Des. 354,643**

Hänsel et al.

[45] Date of Patent: **** Jan. 24, 1995**

[54] TABLE

[75] Inventors: **Detlef Hänsel,**
Lippstadt-Dedinghausen; Horst
Schiermeier, Paderborn, both of
Germany

[73] Assignee: **Gesika Büromöbelwerk GmbH &**
Co., Geseke, Germany

[**] Term: **14 Years**

[21] Appl. No.: **7,031**

[22] Filed: **Apr. 14, 1993**

[30] **Foreign Application Priority Data**

Oct. 14, 1992 [DE] Germany 9207562

[52] U.S. Cl. **D6/484**

[58] Field of Search **D6/480-489,**
D6/495, 498, 499, 451, 422, 427, 429; 108/144,
153, 156, 161; 312/194, 196; 248/188, 188.1,
188.7, 188.8

[56] **References Cited**

U.S. PATENT DOCUMENTS

D. 271,354 11/1983 Lerner et al. D6/480
D. 278,289 4/1985 Sottsass et al. D6/487
D. 330,644 11/1992 Bellini et al. D6/483 X
D. 331,163 11/1992 Bellini et al. D6/480
D. 332,363 1/1993 Hollein D6/487 X
5,280,753 1/1994 Kavanagh et al. 108/144 X

OTHER PUBLICATIONS

Fixtures Furn. Jan. 1991, List Price Wkbook p. 112
#01776 at top right.

Domus —Dec. 1992 p. XXXVI table at top.

Primary Examiner—Janice E. Seeger

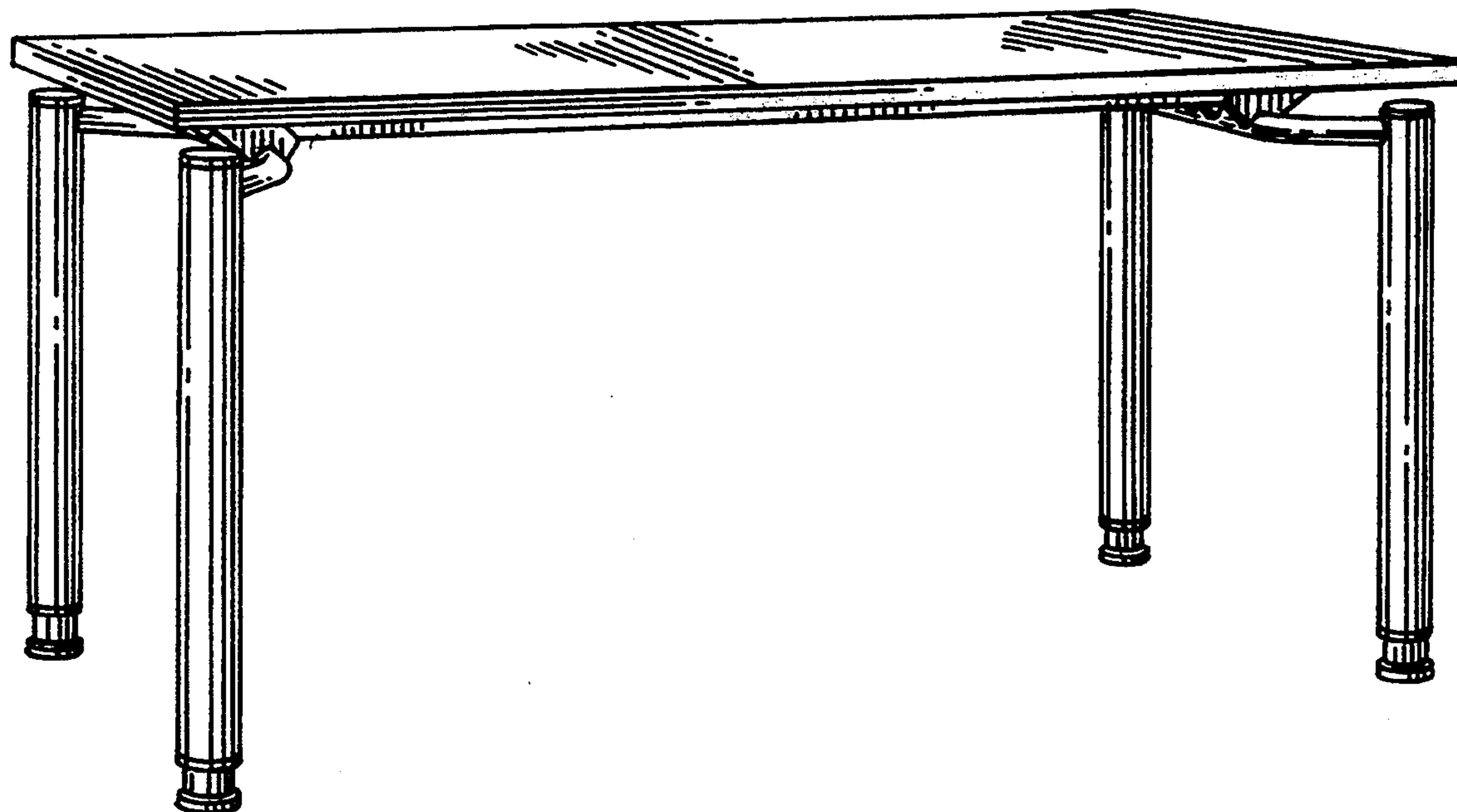
Attorney, Agent, or Firm—Pollock, Vande Sande &
Priddy

[57] **CLAIM**

The ornamental design for a table, as shown and de-
scribed.

DESCRIPTION

FIG. 1 is a perspective view of a table showing our new
design;
FIG. 2 is a front, side view thereof;
FIG. 3 is a bottom view thereof; and,
FIG. 4 is an end side view thereof.



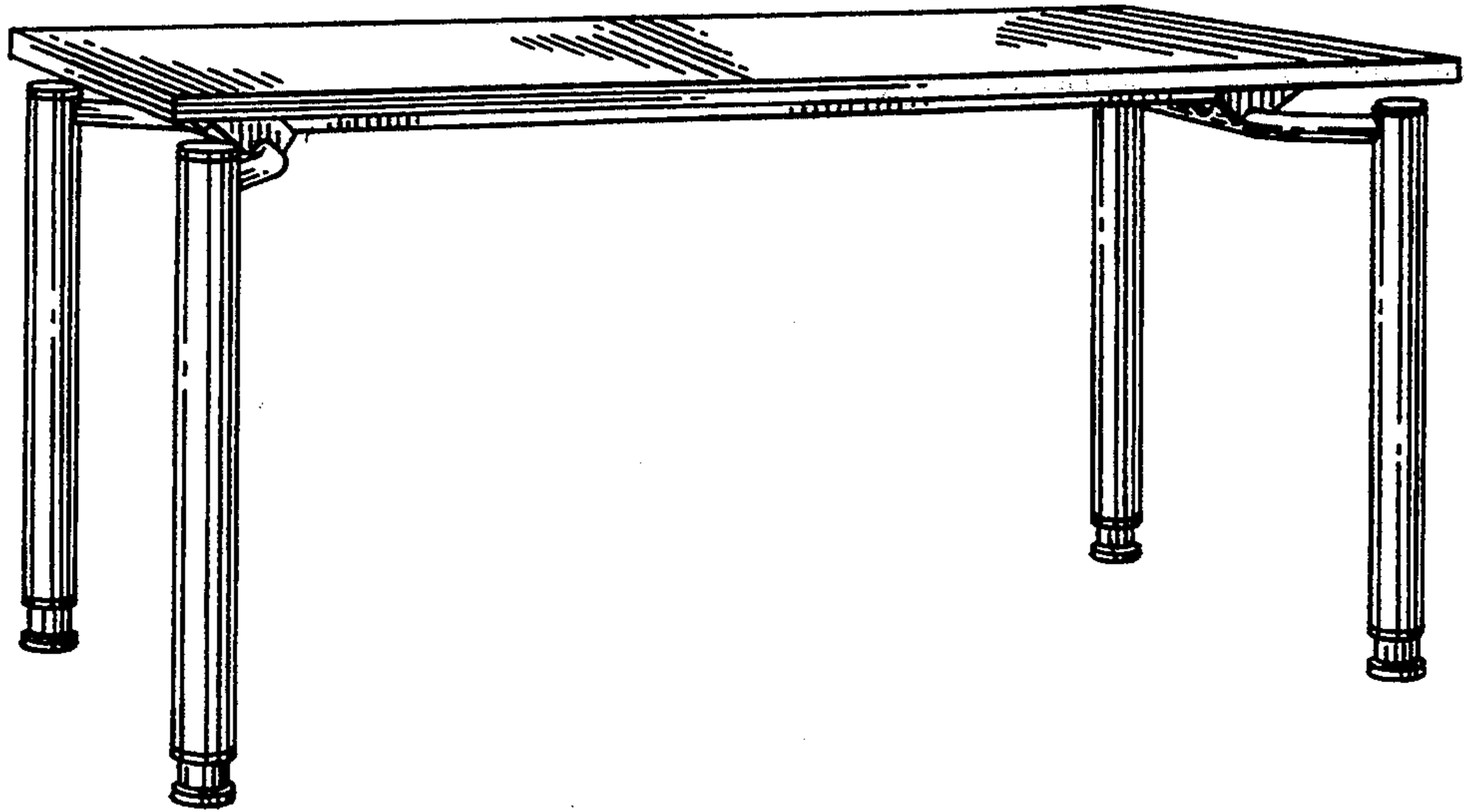


FIG. 1

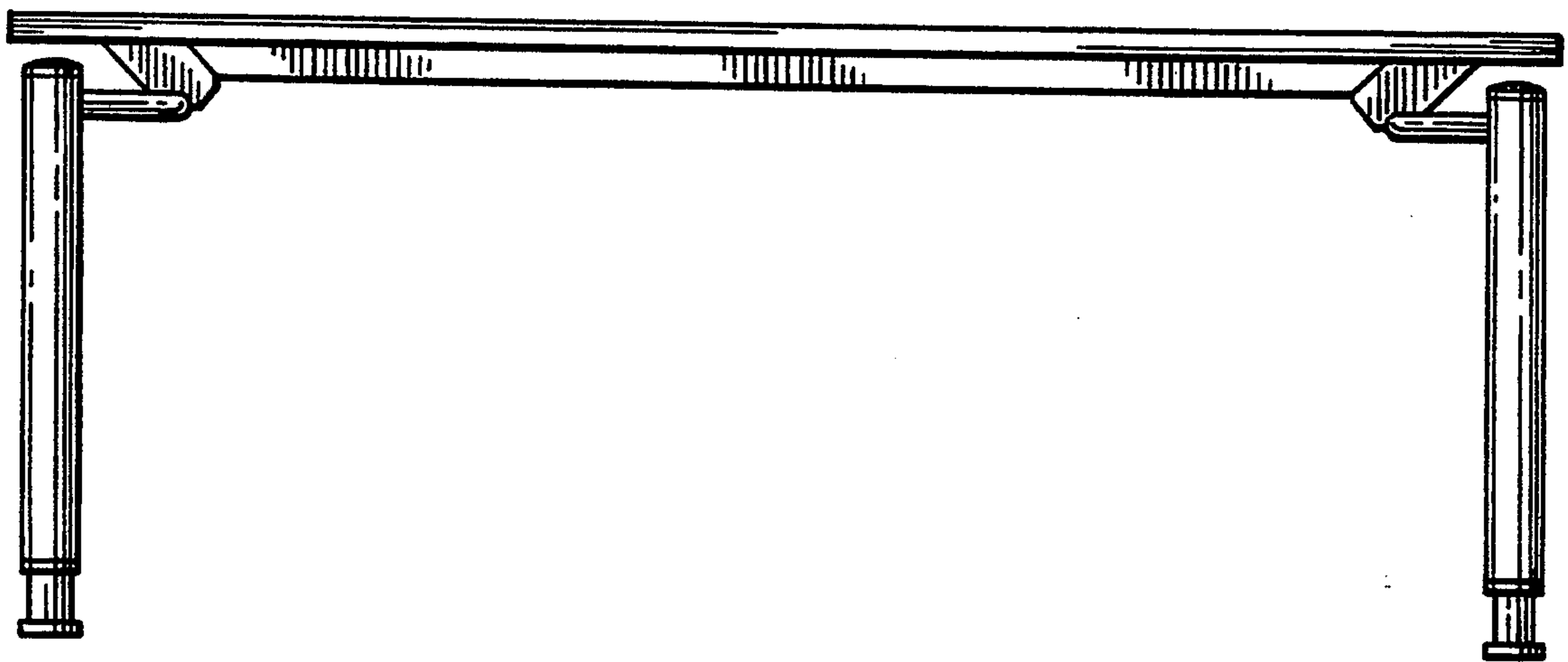


FIG. 2

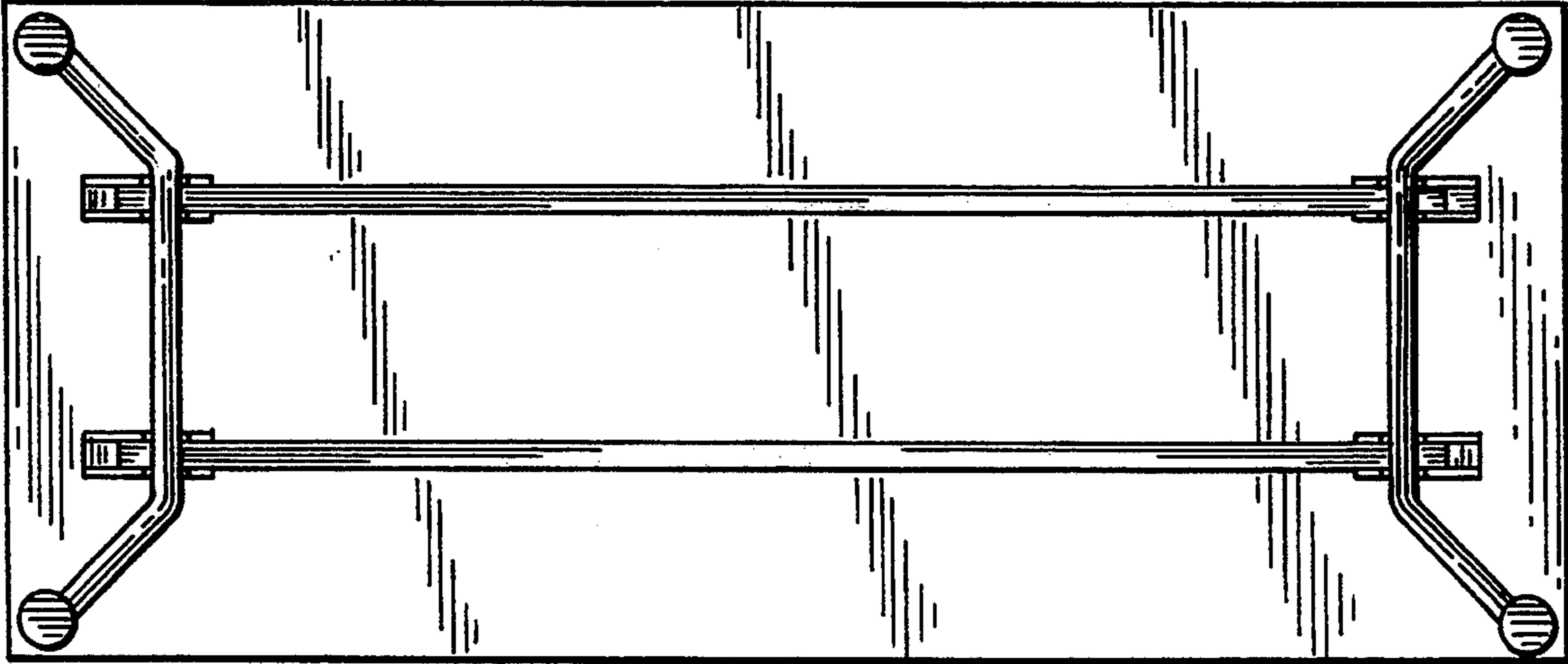


FIG. 3

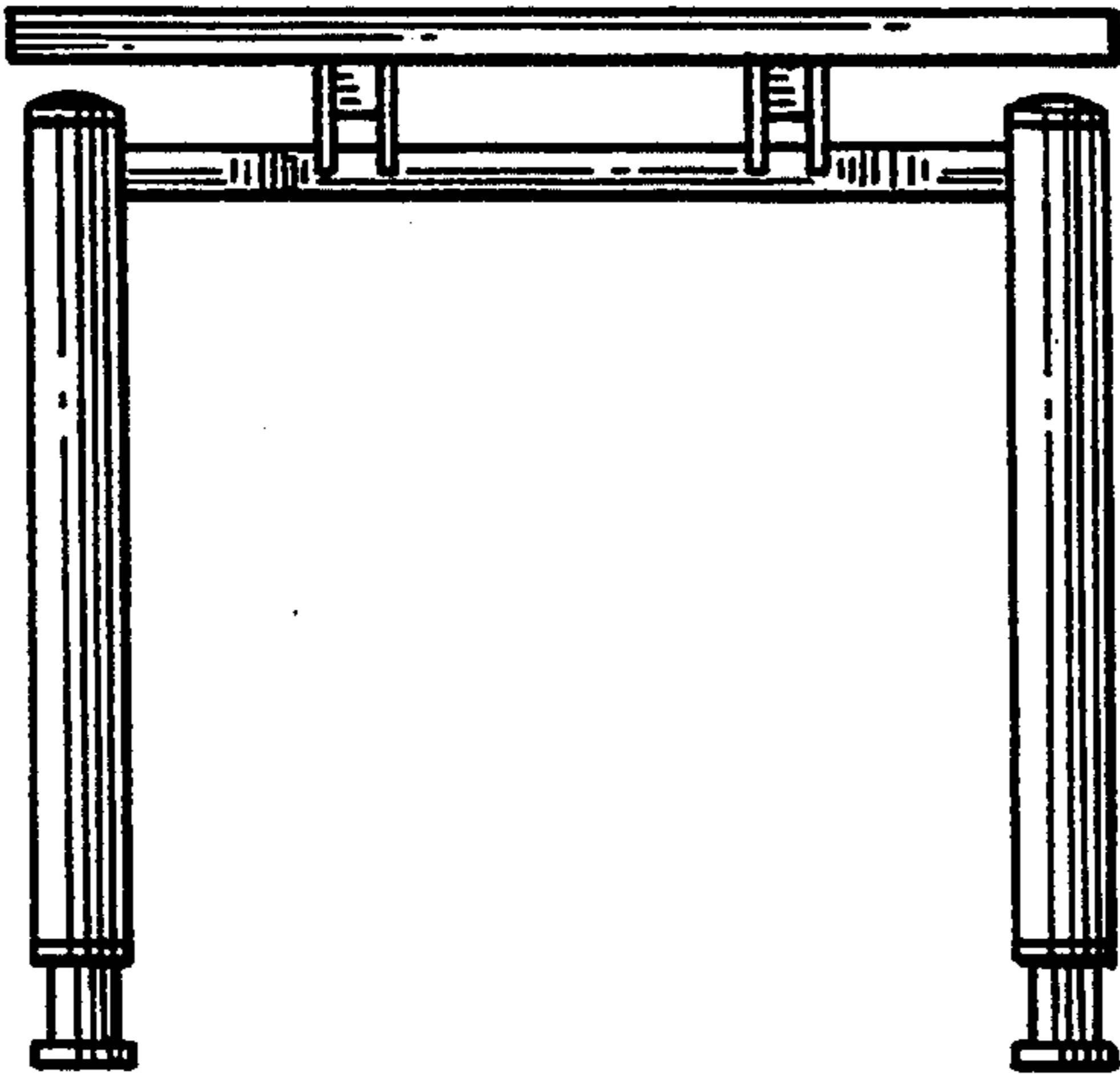


FIG. 4