



US00D354638S

United States Patent [19]

Todd et al.

[11] Patent Number: **Des. 354,638**

[45] Date of Patent: **** Jan. 24, 1995**

[54] ENTERTAINMENT CENTER

[76] Inventors: **John M. Todd**, 30 Purdon Drive, Downsview, Ontario, Canada, M3H 4X1; **James A. Grieve**, 248C Broadway Avenue, Toronto, Ontario, Canada, M4P 1V9

[**] Term: **14 Years**

[21] Appl. No.: **906,513**

[22] Filed: **Jun. 30, 1992**

[52] U.S. Cl. **D6/433; D6/436; D6/446**

[58] Field of Search **D6/432-448; 312/204, 297**

[56] References Cited

U.S. PATENT DOCUMENTS

D. 25,847	7/1896	Coman	D6/433
D. 116,281	8/1939	Dillon	D6/436
D. 229,262	11/1973	Pearson	D6/433
D. 331,161	11/1992	Liao	D6/433

FOREIGN PATENT DOCUMENTS

525327 1/1954 Belgium 312/297

Primary Examiner—Nelson C. Holtje

Assistant Examiner—Jeffrey Asch

Attorney, Agent, or Firm—Rockey, Rifkin and Ryther

[57] CLAIM

The ornamental design for an entertainment center, as shown and described.

DESCRIPTION

FIG. 1 is a perspective view of an entertainment center showing our new design;

FIG. 2 is a perspective view with the upper doors in the open position and the lower doors partially open;

FIG. 3 is a perspective view with both the upper and lower doors in the open position;

FIG. 4 is a front elevational view thereof;

FIG. 5 is a rear elevational view thereof;

FIG. 6 is a right side elevational view thereof;

FIG. 7 is a top plan view thereof; and,

FIG. 8 is a bottom plan view thereof.

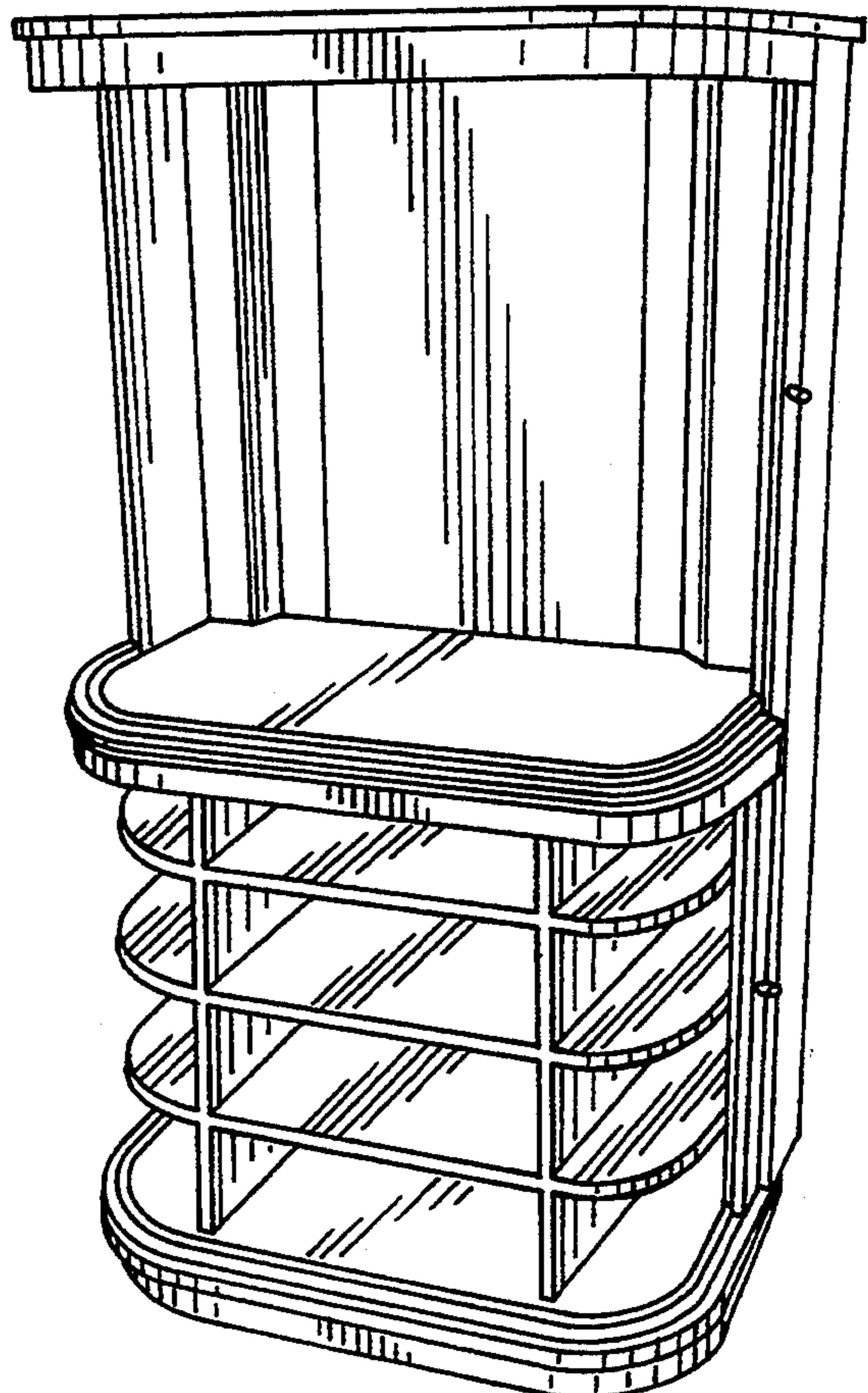
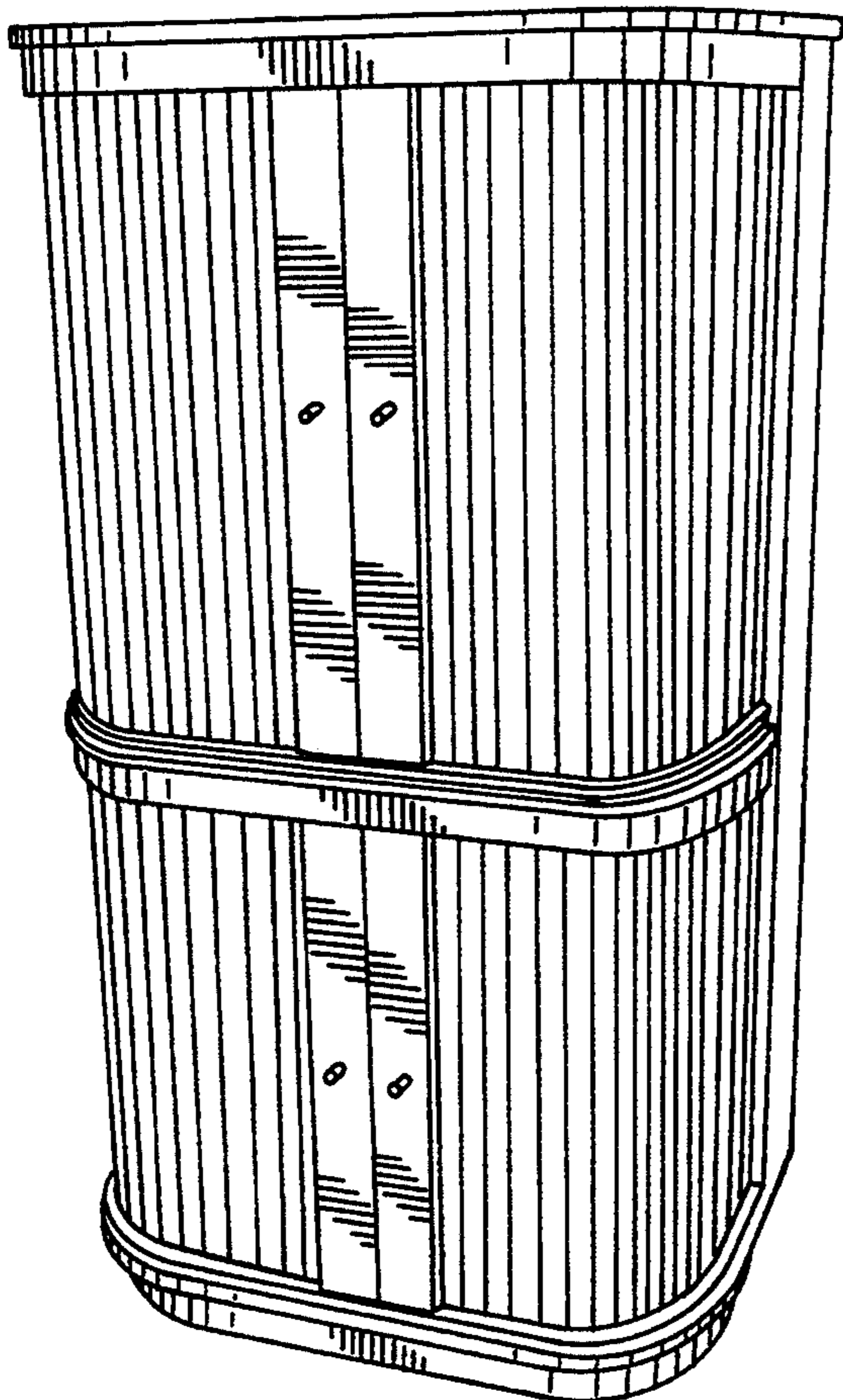


FIG. 3

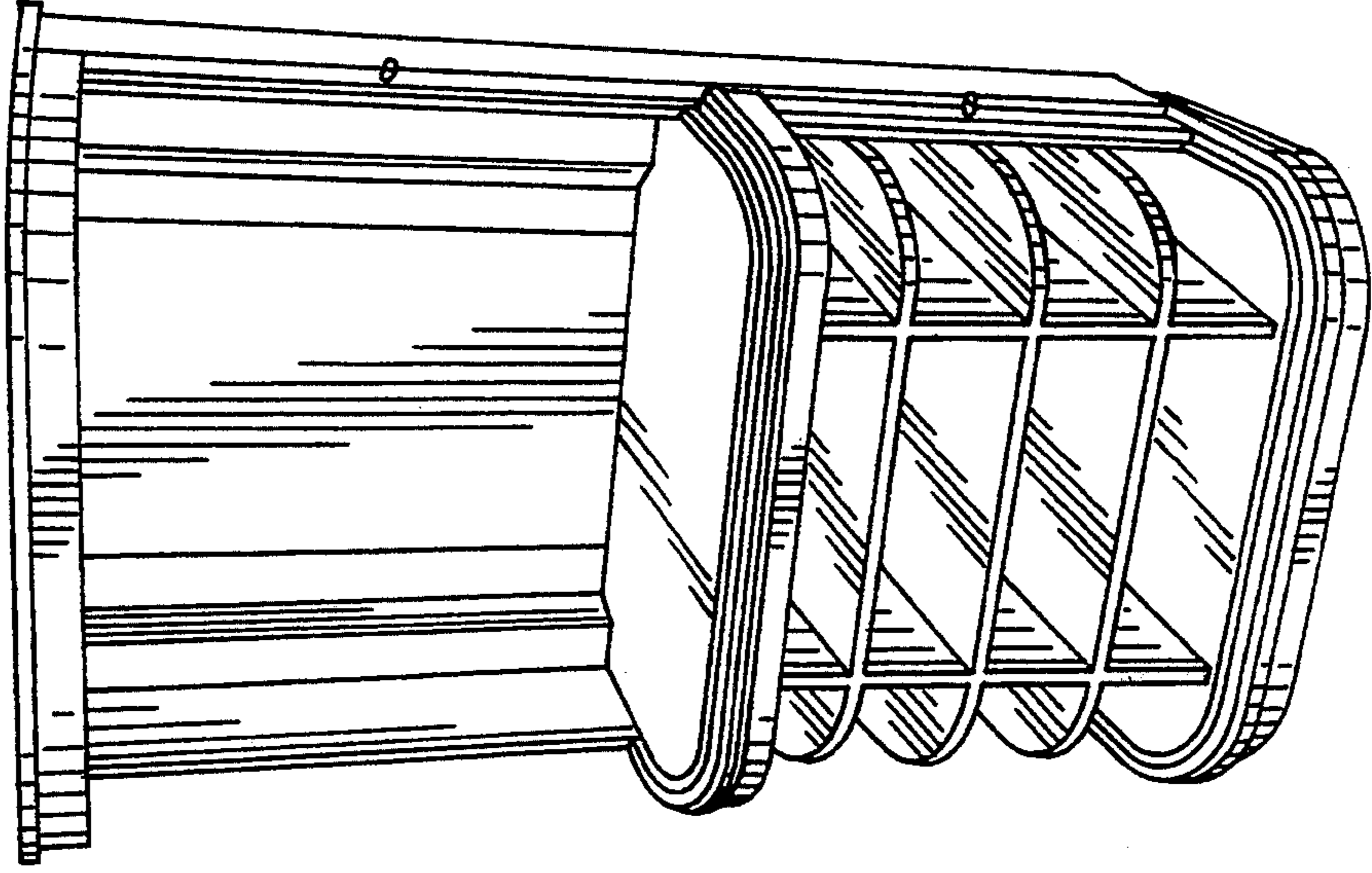


FIG. 2

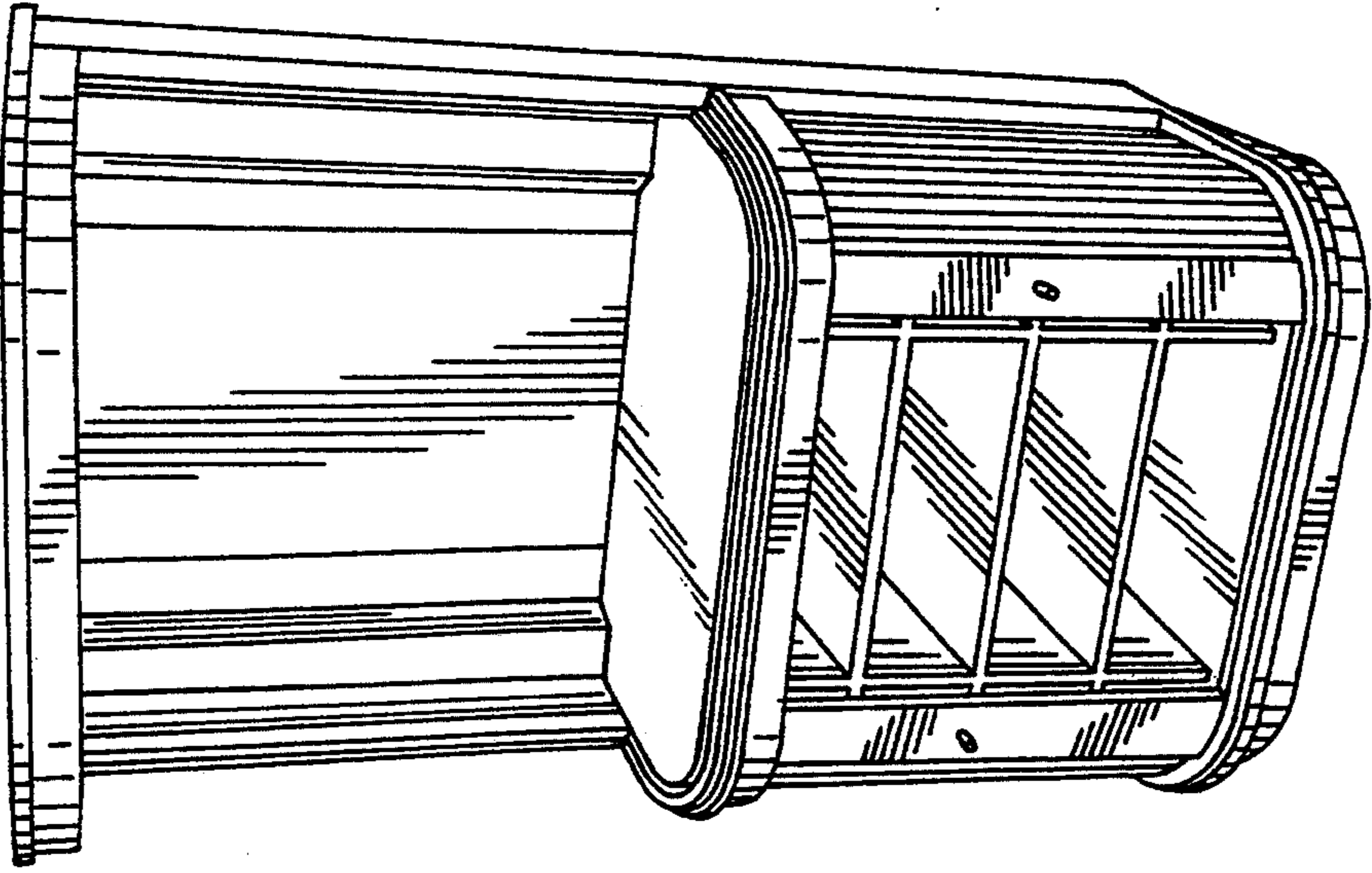


FIG. 1

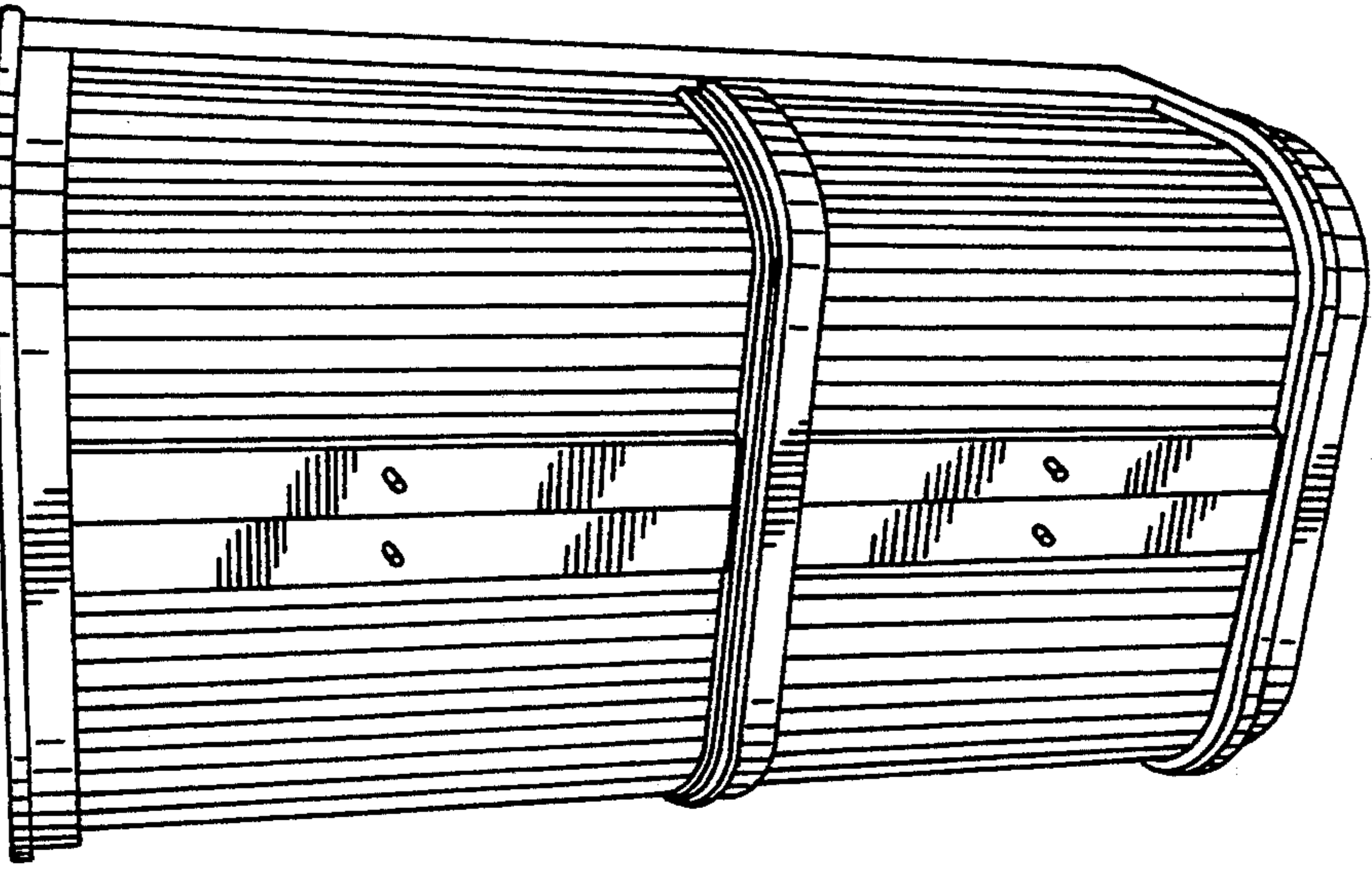


FIG. 4

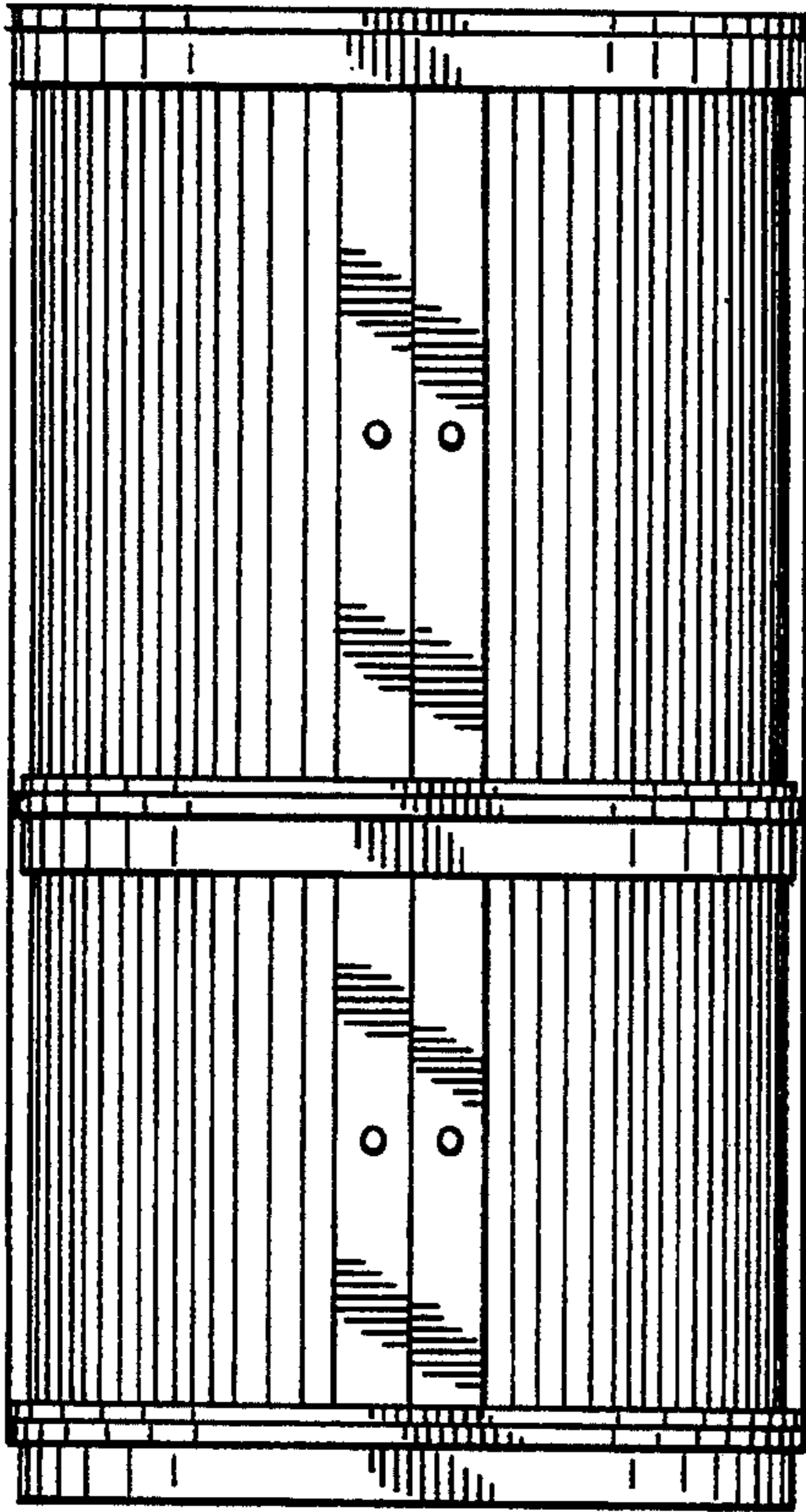


FIG. 5

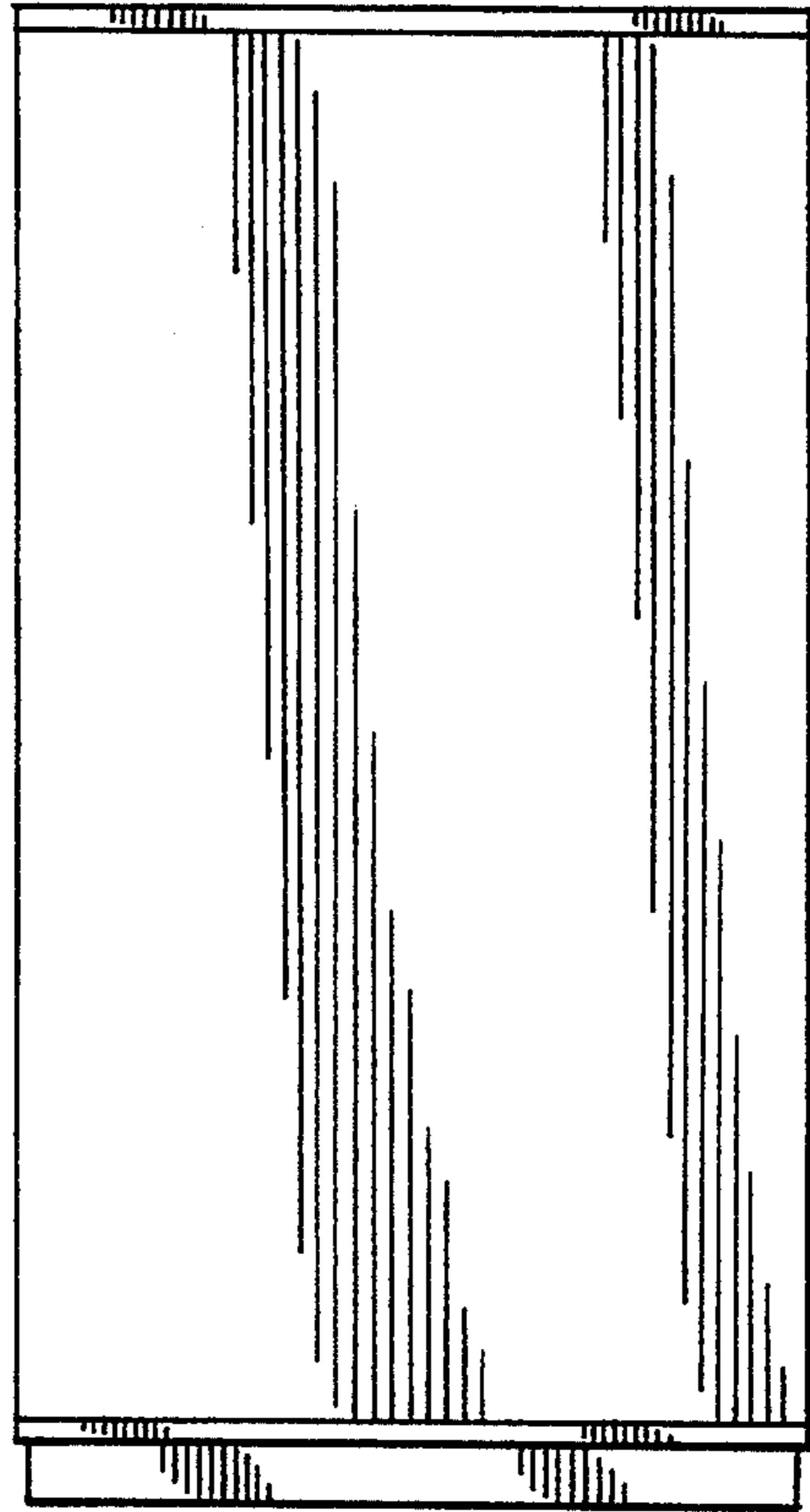


FIG. 6

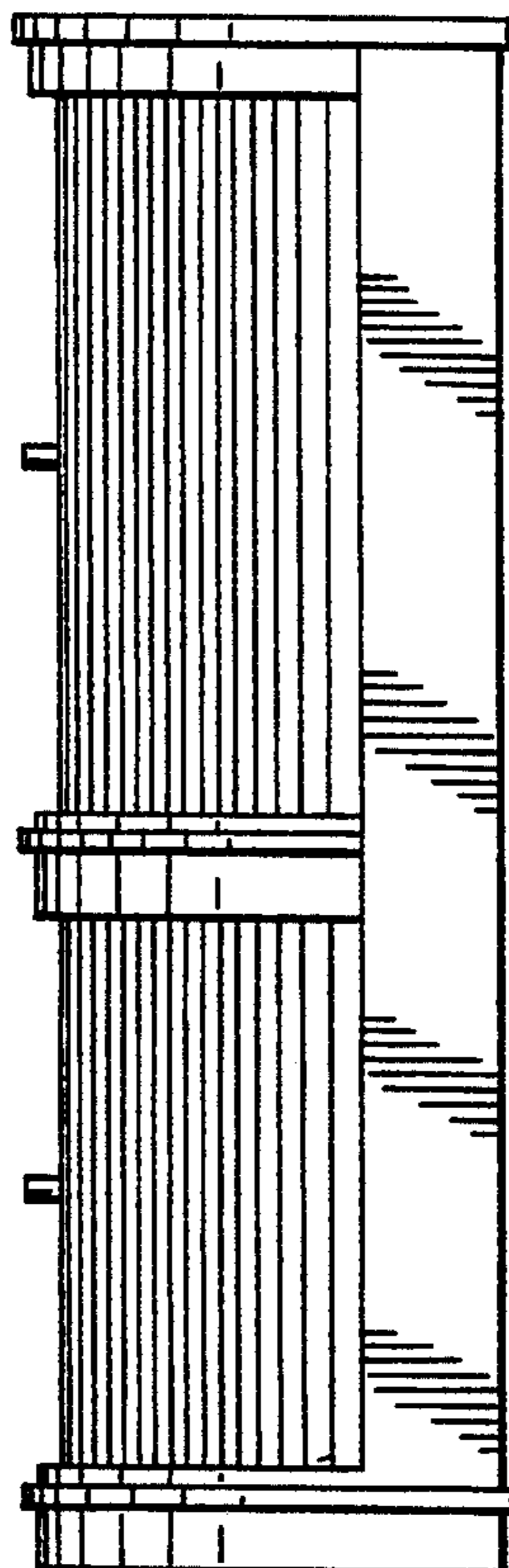


FIG. 7

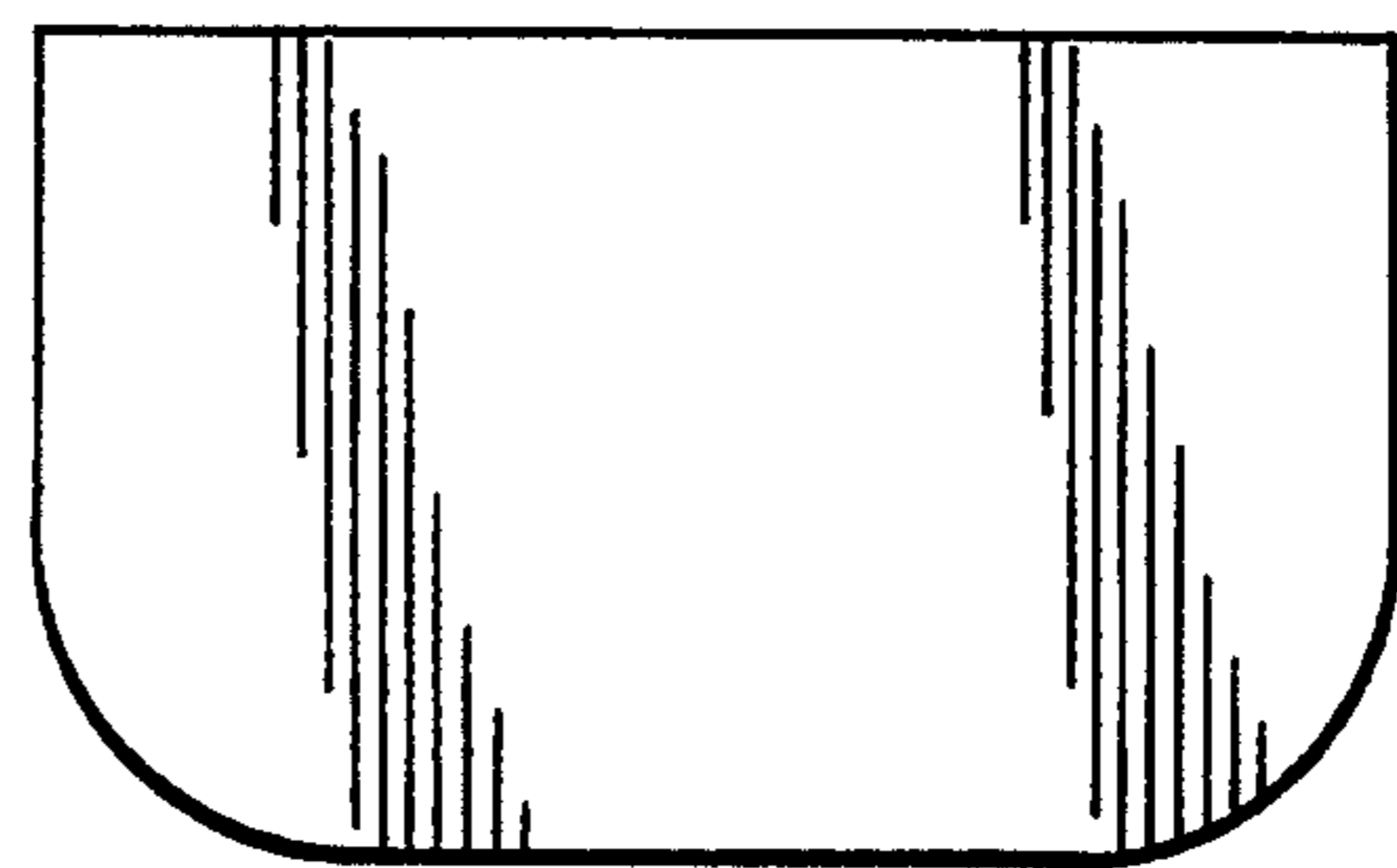


FIG. 8

