



US00D354637S

United States Patent [19]

Jarrett

[11] Patent Number: Des. 354,637

[45] Date of Patent: ** Jan. 24, 1995

[54] CABINET BASE FOR A SLOT MACHINE

[75] Inventor: John J. Jarrett, Newport, Minn.

[73] Assignee: D-Zin Inc., Osseo, Minn.

[**] Term: 14 Years

[21] Appl. No.: 3,809

[22] Filed: Jan. 15, 1993

[52] U.S. Cl. D6/432

[58] Field of Search D21/38; 273/138 A, 138 R, 273/143 R, 144 R, 269; D6/432, 448, 481, 495; 312/263, 265.3-265.5, 326

3,352,615 11/1967 Sandin .
 3,722,971 3/1973 Zeischegg .
 3,736,035 5/1973 Brown et al. .
 4,614,342 9/1986 Takashima .
 5,113,990 5/1992 Gabrius et al. .
 5,120,060 6/1992 Parker et al. .

Primary Examiner—Terry A. Wallace
Attorney, Agent, or Firm—Haugen and Nikolai

[57] CLAIM

The ornamental design for the cabinet base for a slot machine, as shown and described.

DESCRIPTION

FIG. 1 is a top, front, left side perspective view of a cabinet base for a slot machine showing my new design. The undisclosed right side view is a mirror image of the left side and the rear and bottom views are unornamented.

[56] References Cited

U.S. PATENT DOCUMENTS

D. 327,793 7/1992 McGrory D6/432 X
 D. 342,966 1/1994 Carter D6/432 X
 3,301,622 1/1967 Dasovic et al. .

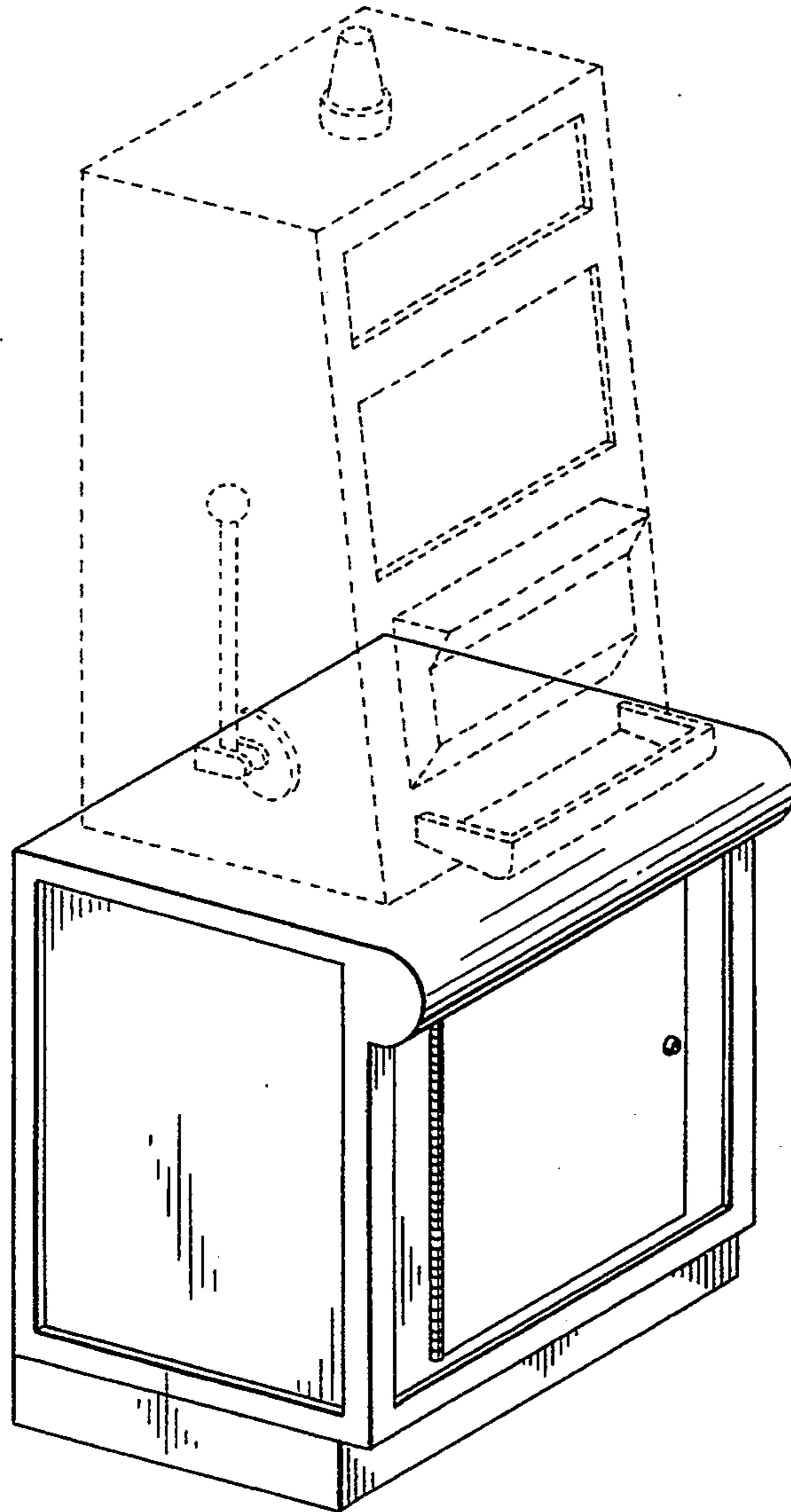


Fig.-1

