



US00D354634S

# United States Patent [19]

[11] Patent Number: **Des. 354,634**

Scheper et al.

[45] Date of Patent: **\*\* Jan. 24, 1995**

[54] CHAIR

[75] Inventors: **Robert M. Scheper; Bruce M. Smith,**  
both of Grand Rapids, Mich.

[73] Assignee: **Steelcase, Inc.,** Grand Rapids, Mich.

[\*\*] Term: **14 Years**

[21] Appl. No.: **18,412**

[22] Filed: **Feb. 4, 1994**

### Related U.S. Application Data

[62] Division of Ser. No. 711,439, Jun. 6, 1991.

[52] U.S. Cl. .... **D6/375; D6/379**

[58] Field of Search ..... **D6/334, 372, 374, 375,**  
**D6/379, 500, 501, 502; 297/411.42, 445**

### [56] References Cited

#### U.S. PATENT DOCUMENTS

- D. 180,558 7/1957 Jiranek .
- D. 205,353 7/1966 Masterson ..... D6/375
- D. 206,998 2/1967 Benjamin .
- D. 222,452 10/1971 Bertran .
- D. 224,191 7/1972 Strässle ..... D6/372
- D. 225,843 1/1973 Buhk .
- D. 227,831 7/1973 Andrus et al. .
- D. 240,374 7/1976 Buhk .
- D. 240,375 7/1976 Buhk .
- D. 240,780 8/1976 Dittert .
- D. 241,288 9/1976 Tacke .
- D. 244,188 5/1977 Leaver .
- D. 244,647 6/1977 Offredi ..... D6/372
- D. 244,892 7/1977 Koepke .
- D. 248,259 6/1978 Lande .
- D. 249,302 9/1978 Ruf .
- D. 250,374 11/1978 Prizlow et al. .
- D. 251,277 3/1979 Kelley .
- D. 253,205 10/1979 Buhk .
- D. 253,206 10/1979 Buhk .
- D. 254,640 4/1980 Deck et al. .
- D. 255,183 6/1980 Locher .
- D. 255,293 6/1980 Locher .
- D. 259,155 5/1981 Buhk .
- D. 259,750 7/1981 Buhk .
- D. 260,056 8/1981 Sapper .
- D. 260,205 8/1981 Buhk .
- D. 264,149 5/1982 Buhk ..... D6/372
- D. 267,371 12/1982 Lopez-Benitez .

- D. 267,838 2/1983 Buhk et al. .
- D. 267,989 2/1983 Buhk et al. .
- D. 267,990 2/1983 Buhk et al. .
- D. 269,743 7/1983 Müller-Deisig .
- D. 270,313 8/1983 Murry .
- D. 272,204 1/1984 DeBoer .
- D. 273,640 5/1984 Petitt .
- D. 277,525 2/1985 Buhk et al. .
- D. 278,582 4/1985 Kramer et al. .
- D. 278,869 5/1985 Bohl .
- D. 279,054 6/1985 Longley et al. .
- D. 279,947 8/1985 Ballarini .
- D. 285,629 9/1986 Franck et al. .
- D. 288,634 3/1987 Williams .
- D. 288,869 3/1987 Bitsch .
- D. 289,349 4/1987 Vanderminde ..... D6/379
- D. 291,509 8/1987 Sapper .

(List continued on next page.)

### FOREIGN PATENT DOCUMENTS

1277712 6/1972 United Kingdom .

### OTHER PUBLICATIONS

Iren brochure for "Collezione Class." Date unknown.

"Interiors" magazine excerpt, Feb., 1985, p. 131.

(List continued on next page.)

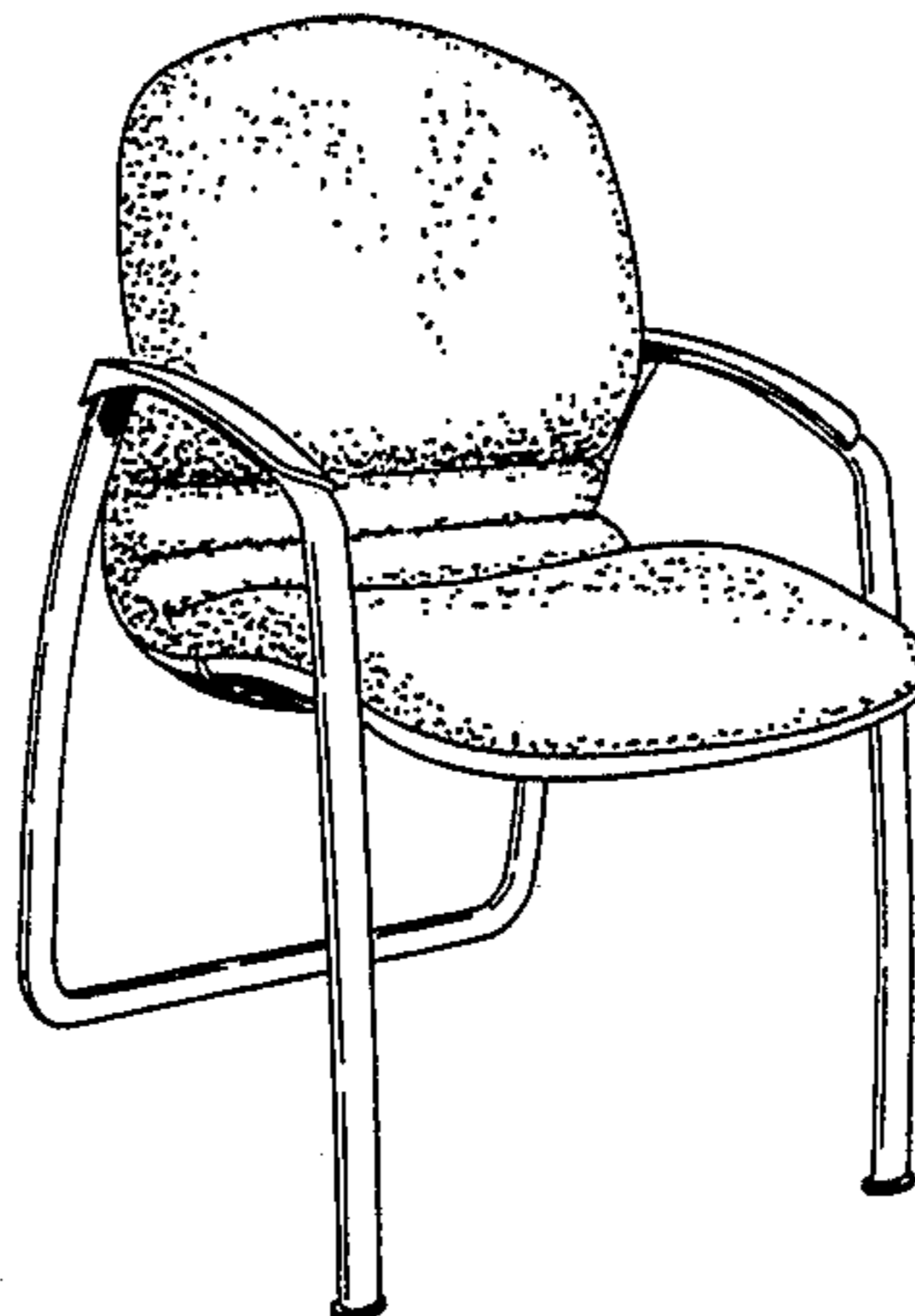
*Primary Examiner*—Nelson C. Holtje  
*Assistant Examiner*—Gary D. Watson  
*Attorney, Agent, or Firm*—Price, Heneveld, Cooper,  
DeWitt & Litton

### [57] CLAIM

The ornamental design for a chair, as shown and described.

### DESCRIPTION

FIG. 1 is a front perspective view of a chair, showing our new design;  
FIG. 2 is a rear perspective view;  
FIG. 3 is a right-hand side elevational view;  
FIG. 4 is a top plan view;  
FIG. 5 is a front elevational view;  
FIG. 6 is a rear elevational view; and,  
FIG. 7 is a bottom plan view.



U.S. PATENT DOCUMENTS

D. 292,655 11/1987 Hendrick .  
D. 293,517 1/1988 Bellini .  
D. 295,466 5/1988 Bellini .  
D. 295,467 5/1988 Bellini .  
D. 295,926 5/1988 Uredat .  
D. 297,687 9/1988 Uredat .  
D. 297,995 10/1988 Stulik .  
D. 298,188 10/1988 Hensel .  
D. 299,191 1/1989 Frinier .  
D. 300,090 3/1989 Frinier .  
D. 300,091 3/1989 Frinier .  
D. 300,189 3/1989 Frinier .  
D. 300,585 4/1989 Uredat .  
D. 301,662 6/1989 Vonhausen .  
D. 305,284 1/1990 Piretti .  
D. 305,285 1/1990 Piretti .  
D. 320,704 10/1991 Monesi .  
D. 339,244 9/1993 Fahnstrom et al. .... D6/375 X  
3,947,068 3/1976 Buhk .  
4,164,798 8/1979 Weber .  
4,703,974 11/1987 Bräuning .  
4,744,603 5/1988 Knoblock .

4,754,364 6/1988 Speet et al. .  
4,856,846 8/1989 Lohmeyer .

OTHER PUBLICATIONS

Krueger International product brochure, CN-07180/SL690, The Piretti Collection. Date unknown.  
Krueger International product brochure, CN-07170/SL689, The Piretti Collection. ©1989.  
"Design" magazine excerpt, Jan. 1987, p. 41.  
"Schöner wohnen" excerpt, Feb. 1985, p. 145.  
Martinstoll brochure for "Collection/C." Date unknown.  
Herman Miller brochure for "Aluminum Group" Copyright-1974.  
Supplement to "Abitare" magazine, Mar. 1979, p. 3.  
"Design" magazine excerpt, Sep. 1976, p. 35.  
Krueger International brochure (Piretti chairs). Date unknown.  
Domus, Dec. 1987, p. 689.

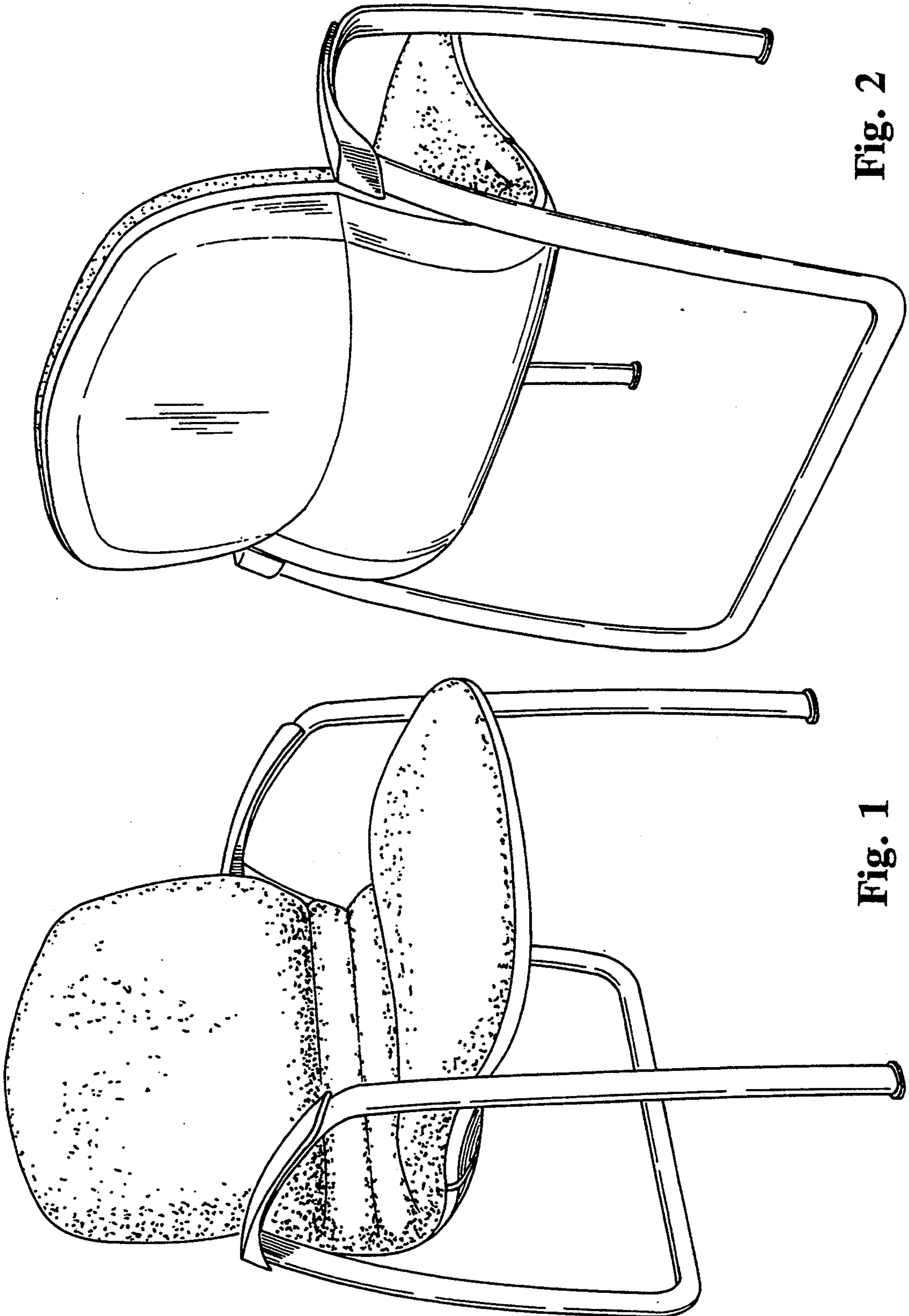


Fig. 2

Fig. 1

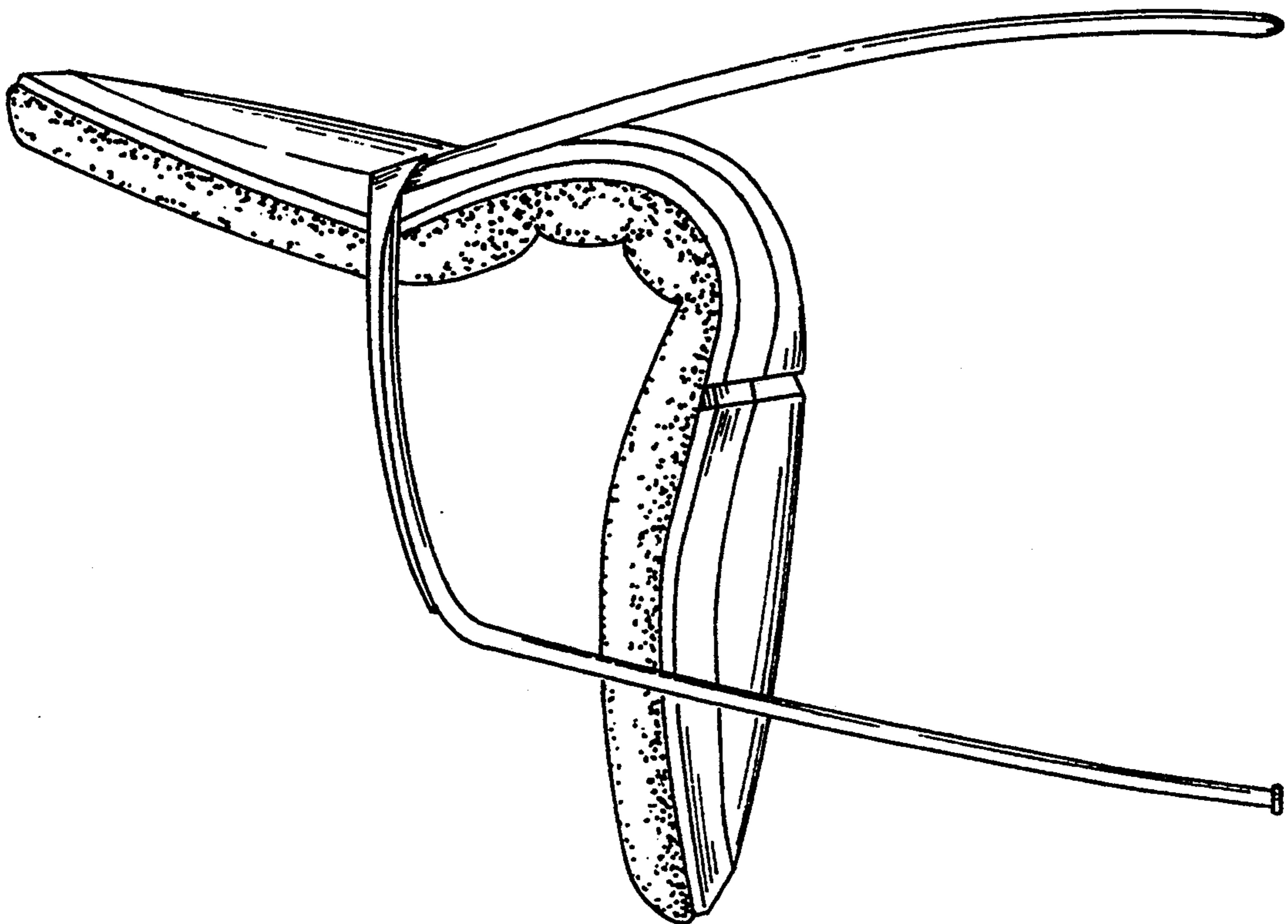


Fig. 3

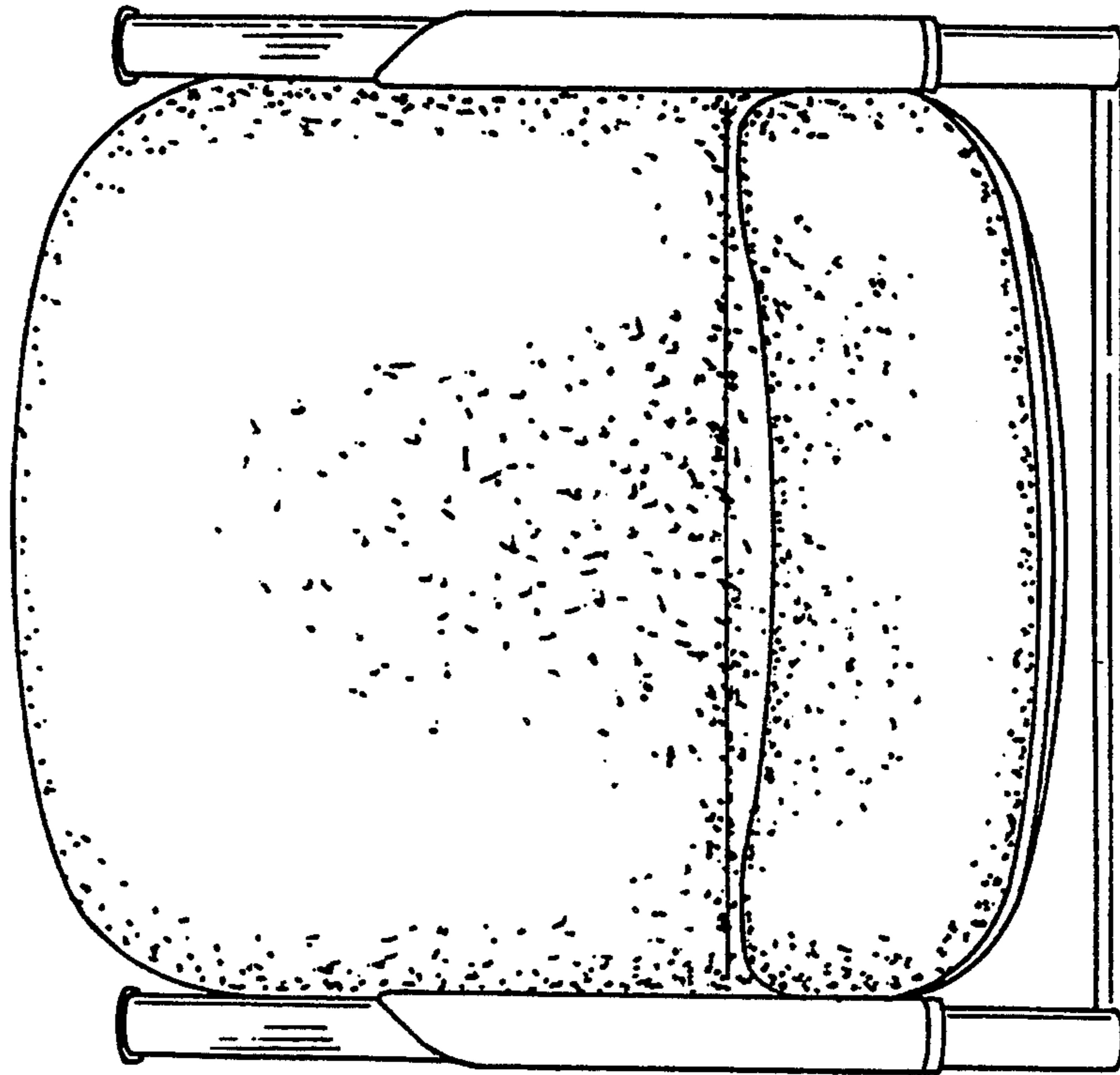


Fig. 4

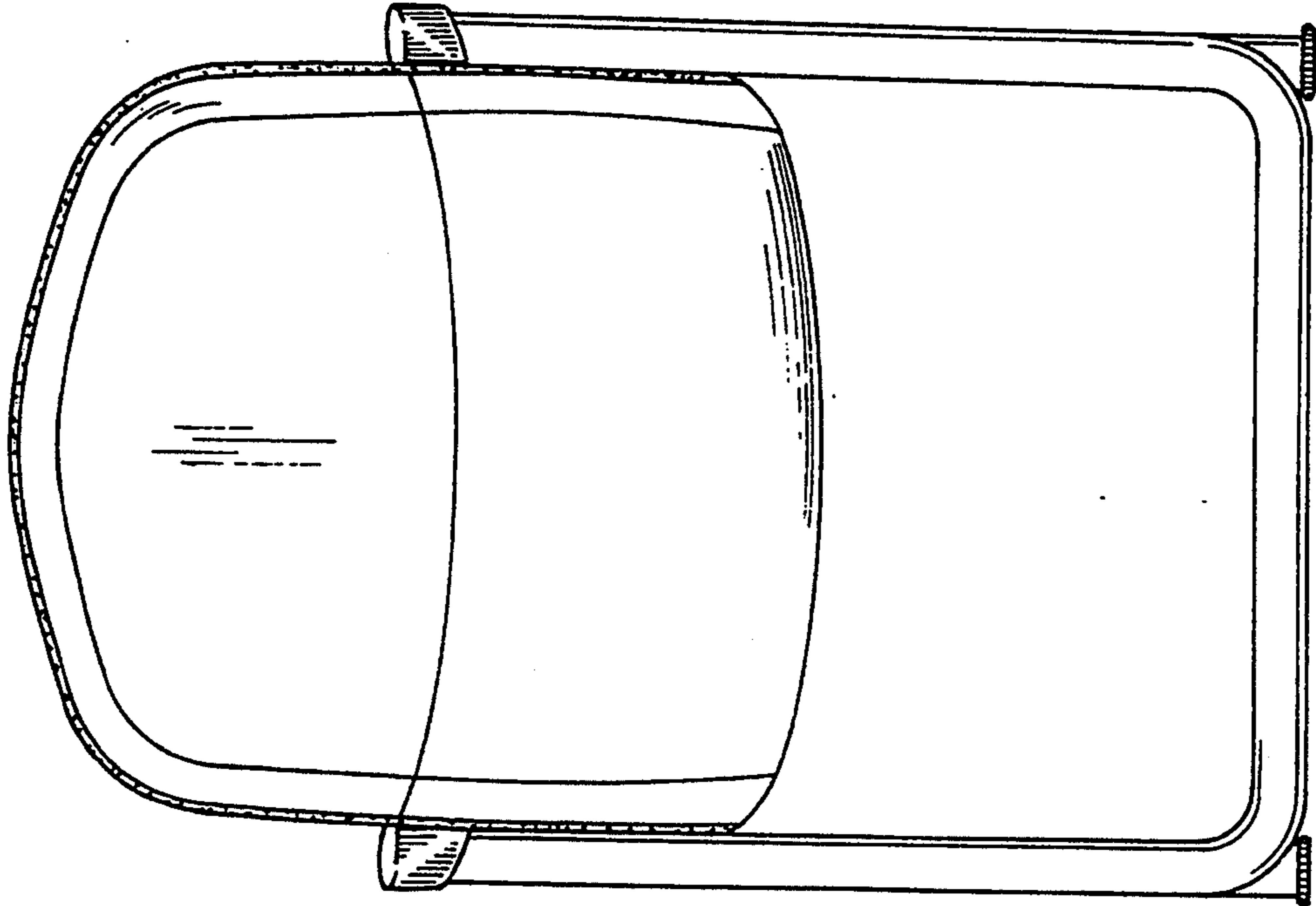


Fig. 6

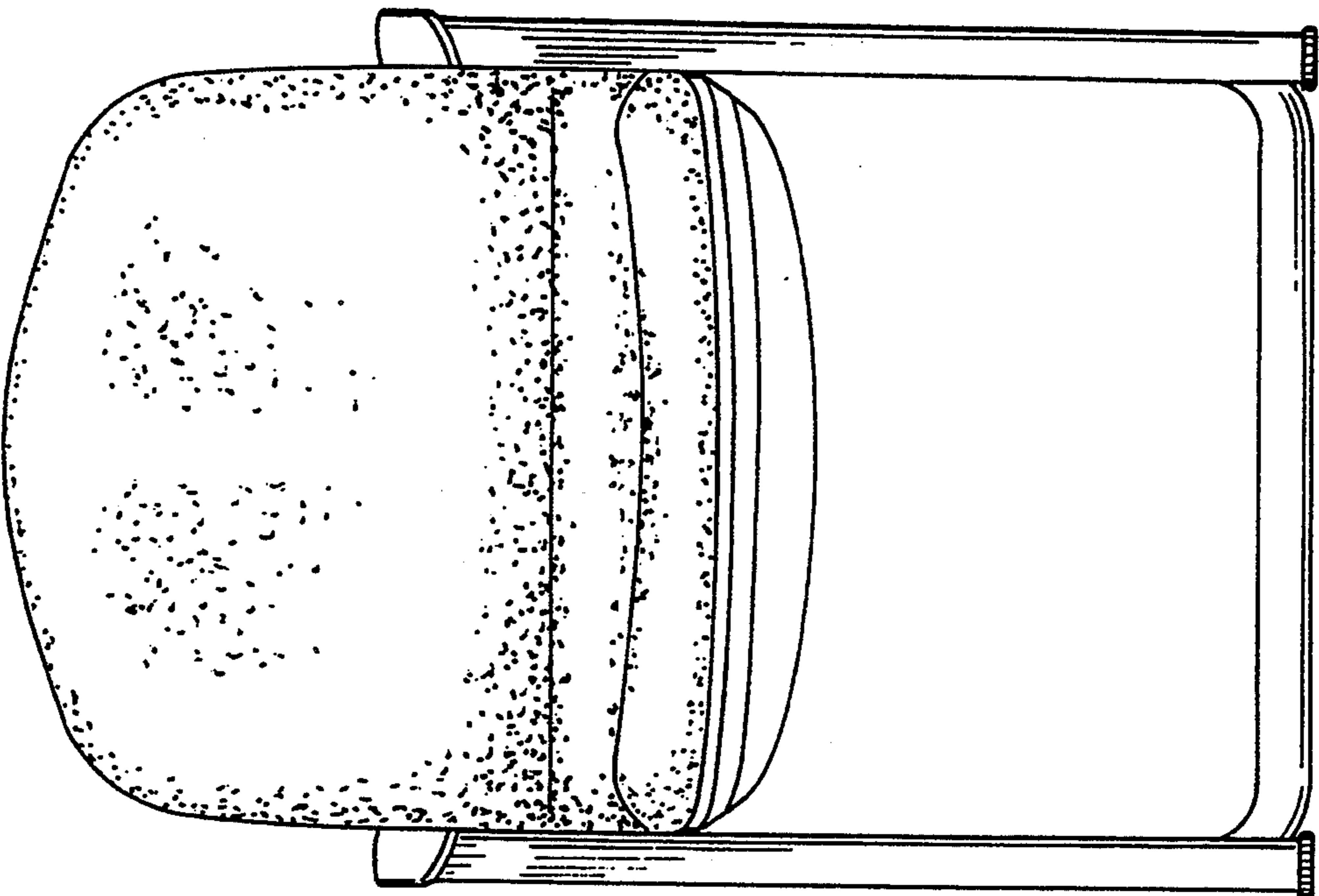


Fig. 5

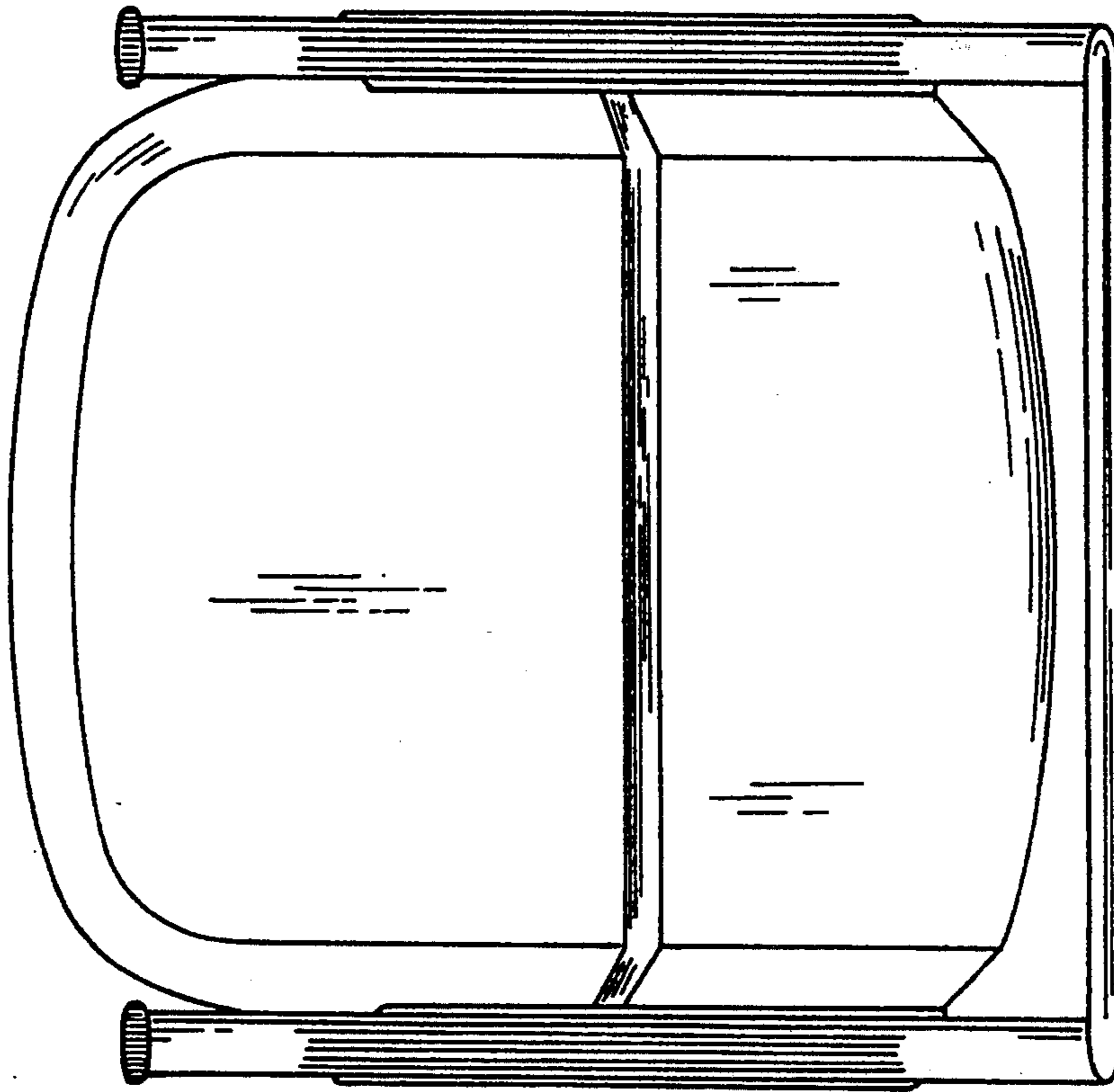


Fig. 7