



US00D354631S

# United States Patent [19]

Orlandini et al.

[11] Patent Number: **Des. 354,631**

[45] Date of Patent: **\*\* Jan. 24, 1995**

- [54] **CHAIR**
- [75] Inventors: **Paolo Orlandini; Roberto Lucci, both of Milan, Italy**
- [73] Assignee: **Westinghouse Electric Corporation, Pittsburgh, Pa.**
- [\*] Notice: **The portion of the term of this patent subsequent to Oct. 4, 2008 has been disclaimed.**
- [\*\*] Term: **14 Years**
- [21] Appl. No.: **4,295**
- [22] Filed: **Feb. 1, 1993**
- [52] U.S. Cl. .... **D6/366**
- [58] Field of Search ..... **D6/334, 365, 366, 379, D6/500, 501, 502; 297/411.44, 452.14**

- D. 336,380 6/1993 Roseen et al. .... D6/366
- D. 336,722 6/1993 Fahnstrom et al. .... D6/366

### OTHER PUBLICATIONS

Interiors, Sep. 1980, p. 83, Chair by Gunlocke Co. at top right.  
 Domus, Dec. 1987, Chair at right.  
*Primary Examiner*—Nelson C. Holtje  
*Assistant Examiner*—Gary D. Watson  
*Attorney, Agent, or Firm*—Carla J. Vrsansky

### [57] CLAIM

The ornamental design for a chair, as shown and described.

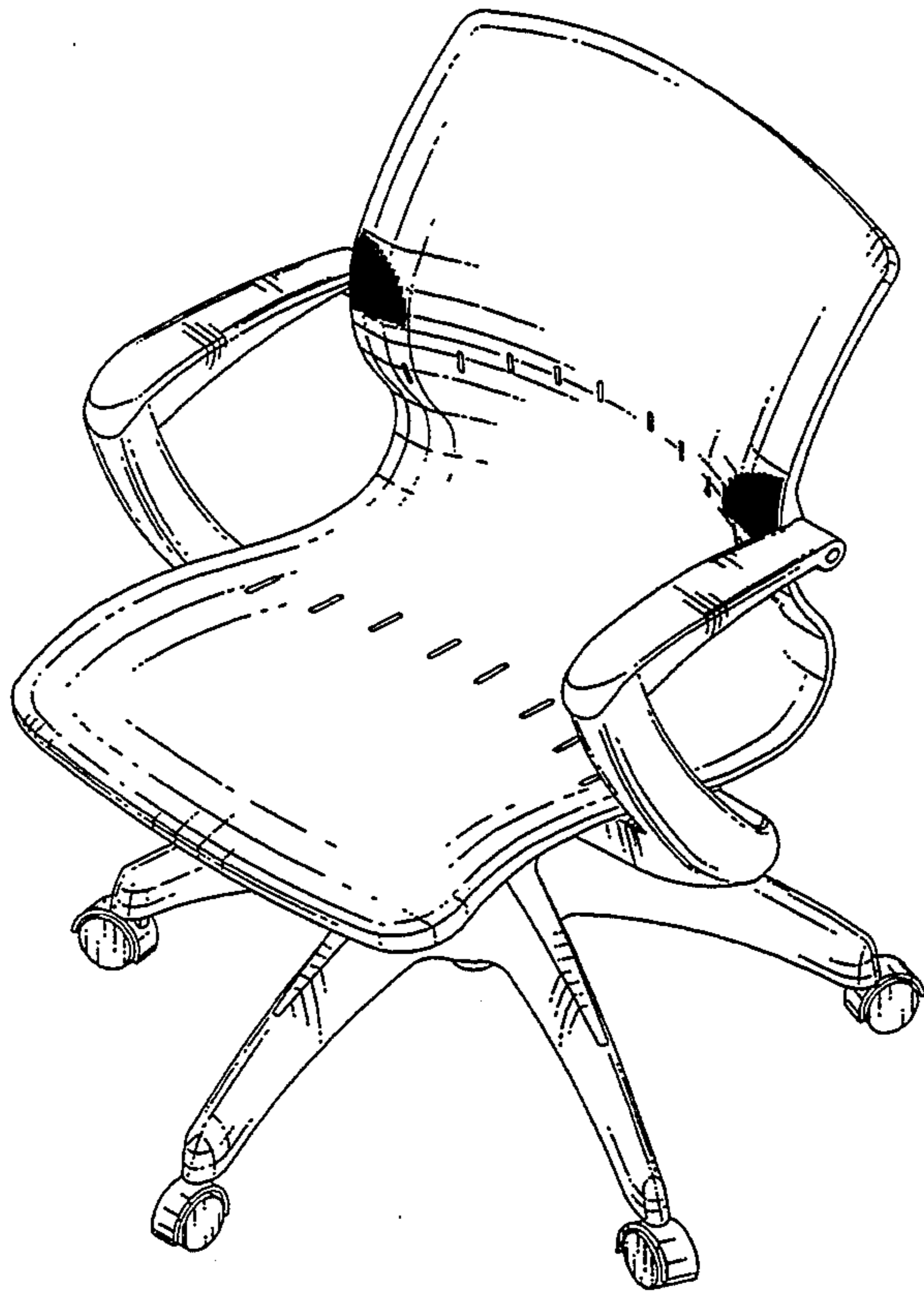
### DESCRIPTION

FIG. 1 is a perspective view of a chair having arms showing our new design;  
 FIG. 2 is a front elevation view thereof;  
 FIG. 3 is a rear elevation view thereof;  
 FIG. 4 is a left side elevation view thereof, the right side being a mirror image thereof;  
 FIG. 5 is a top plan view thereof;  
 FIG. 6 is a bottom plan view thereof;  
 FIG. 7 is a perspective view of an alternative embodiment of a chair without arms showing our new design;  
 FIG. 8 is a front elevation view thereof;  
 FIG. 9 is a rear elevation view thereof;  
 FIG. 10 is a left side elevation view thereof, the right side being a mirror image thereof;  
 FIG. 11 is a top plan view thereof; and,  
 FIG. 12 is a bottom plan view thereof.

### [56] References Cited

#### U.S. PATENT DOCUMENTS

- D. 108,890 3/1938 Powell ..... D6/366
- D. 240,375 7/1976 Buhk ..... D6/366
- D. 253,205 10/1979 Buhk ..... D6/366
- D. 255,293 6/1980 Locher ..... D6/366
- D. 288,869 3/1987 Bitsch ..... D6/365
- D. 296,161 6/1988 Bellini ..... D6/366
- D. 305,284 1/1990 Piretti ..... D6/366
- D. 311,286 10/1990 Muller-Deisig et al. .... D6/366
- D. 318,184 7/1991 Muller-Deisig et al. .... D6/366
- D. 320,507 10/1991 Shields ..... D6/366
- D. 326,369 5/1992 Buchacz ..... D6/366
- D. 333,044 2/1993 Caruso ..... D6/375 X



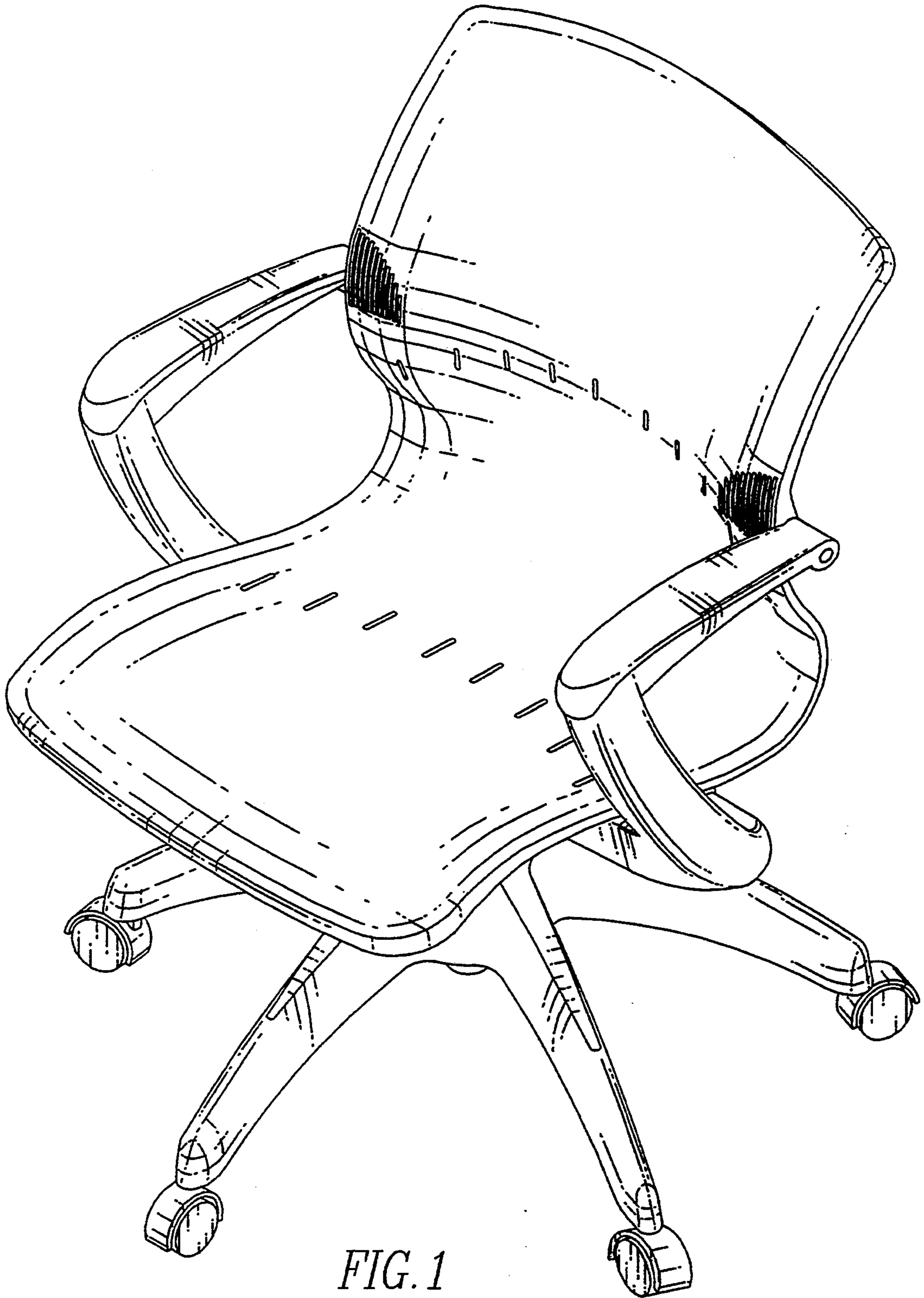


FIG. 1

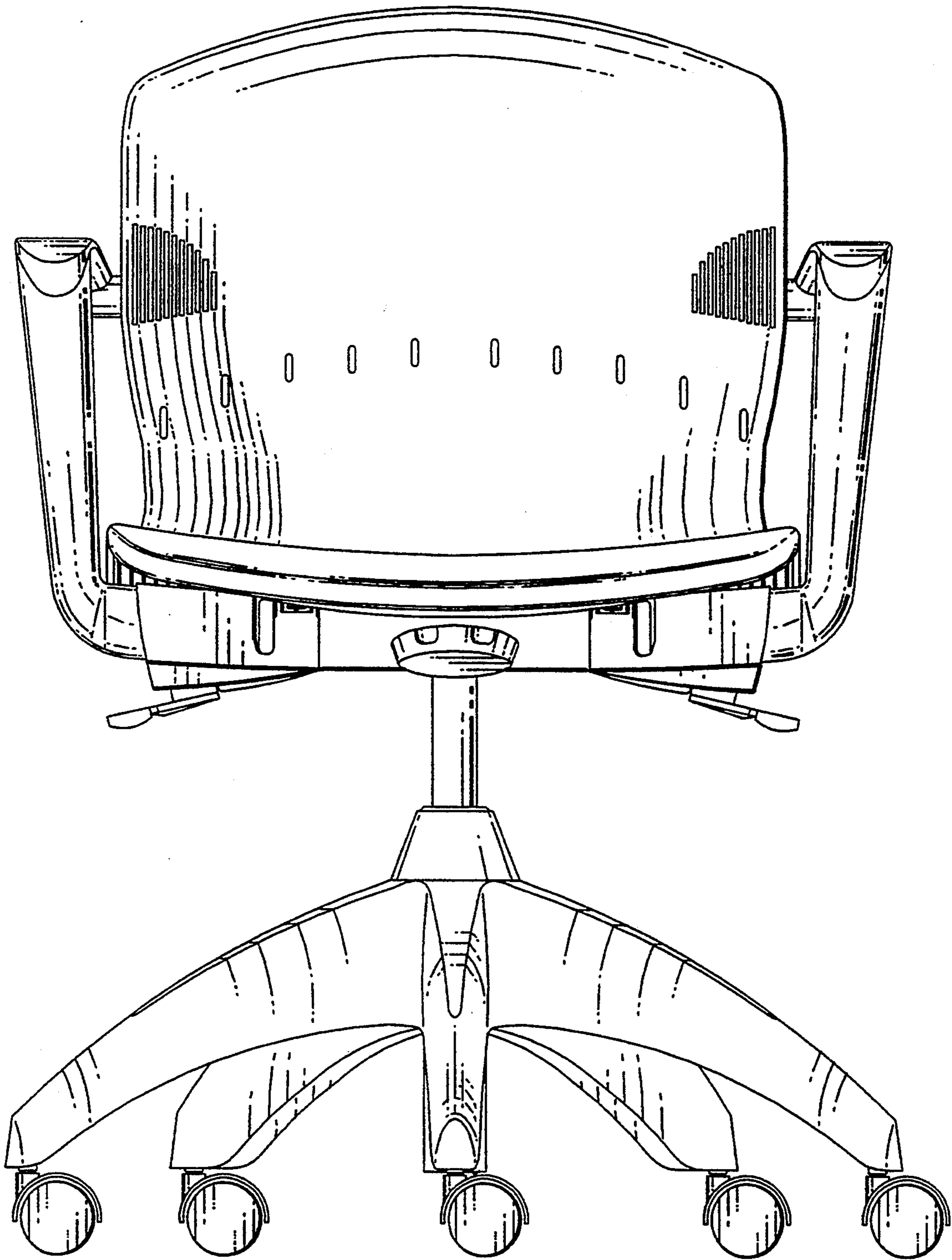


FIG. 2

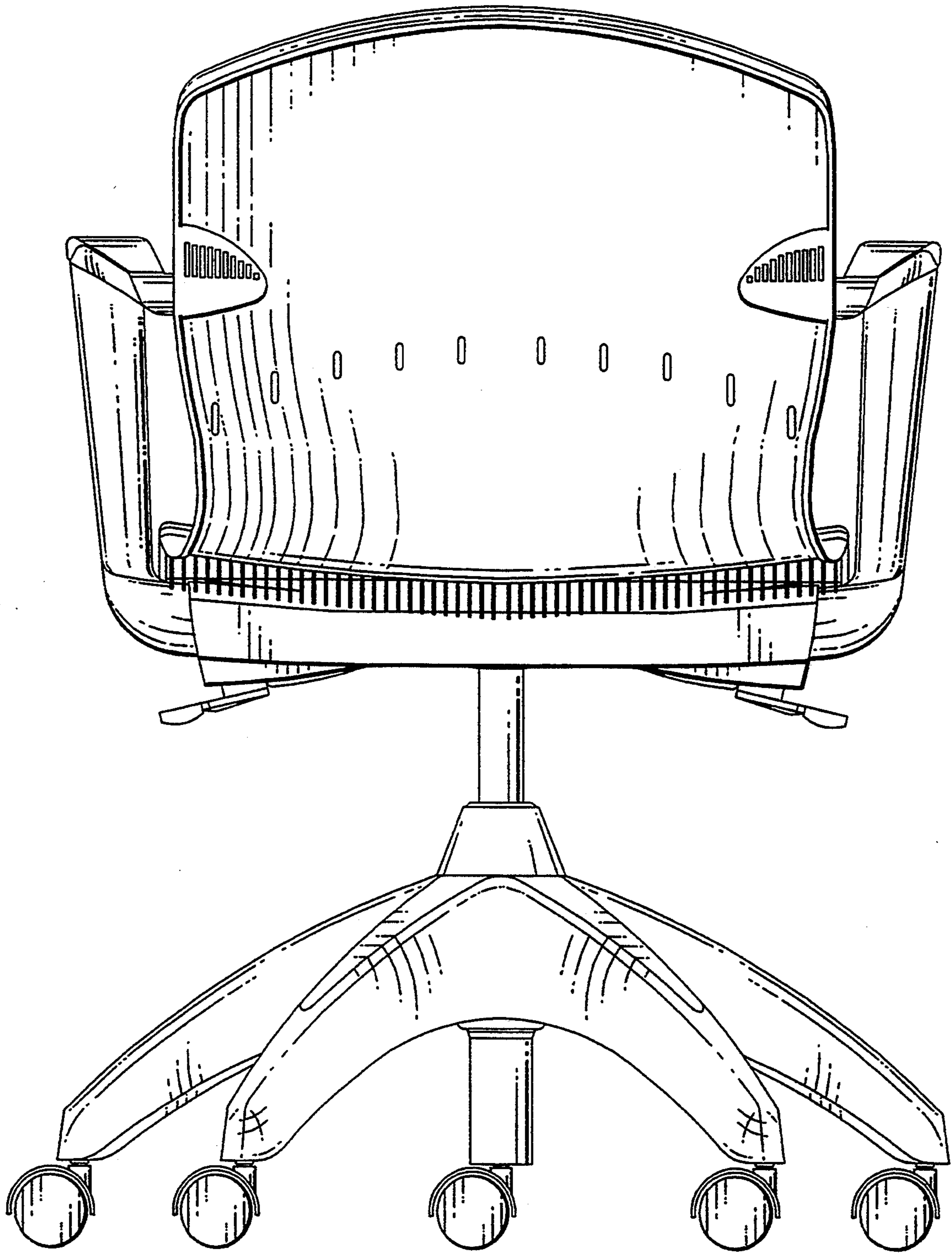


FIG. 3

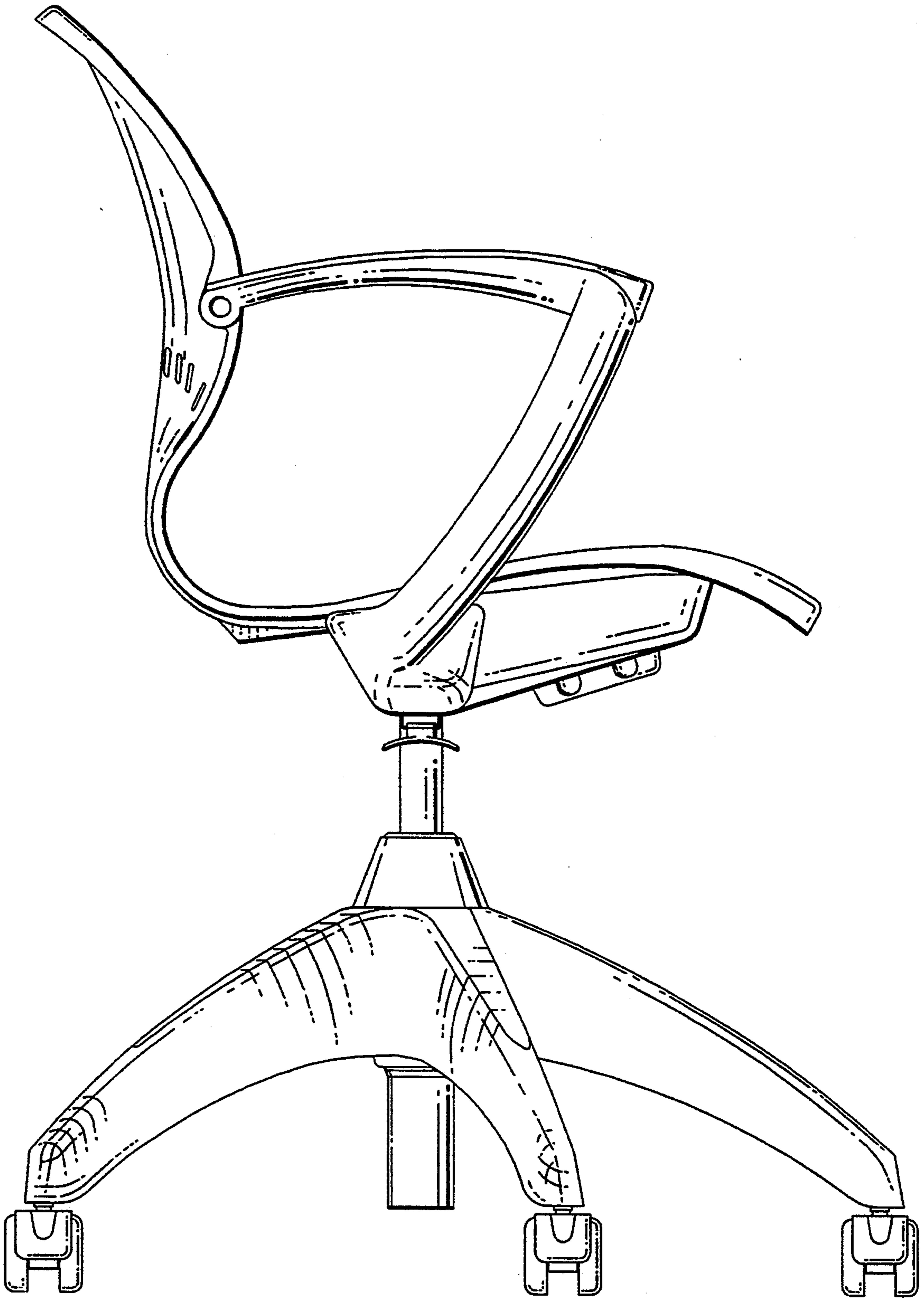


FIG. 4

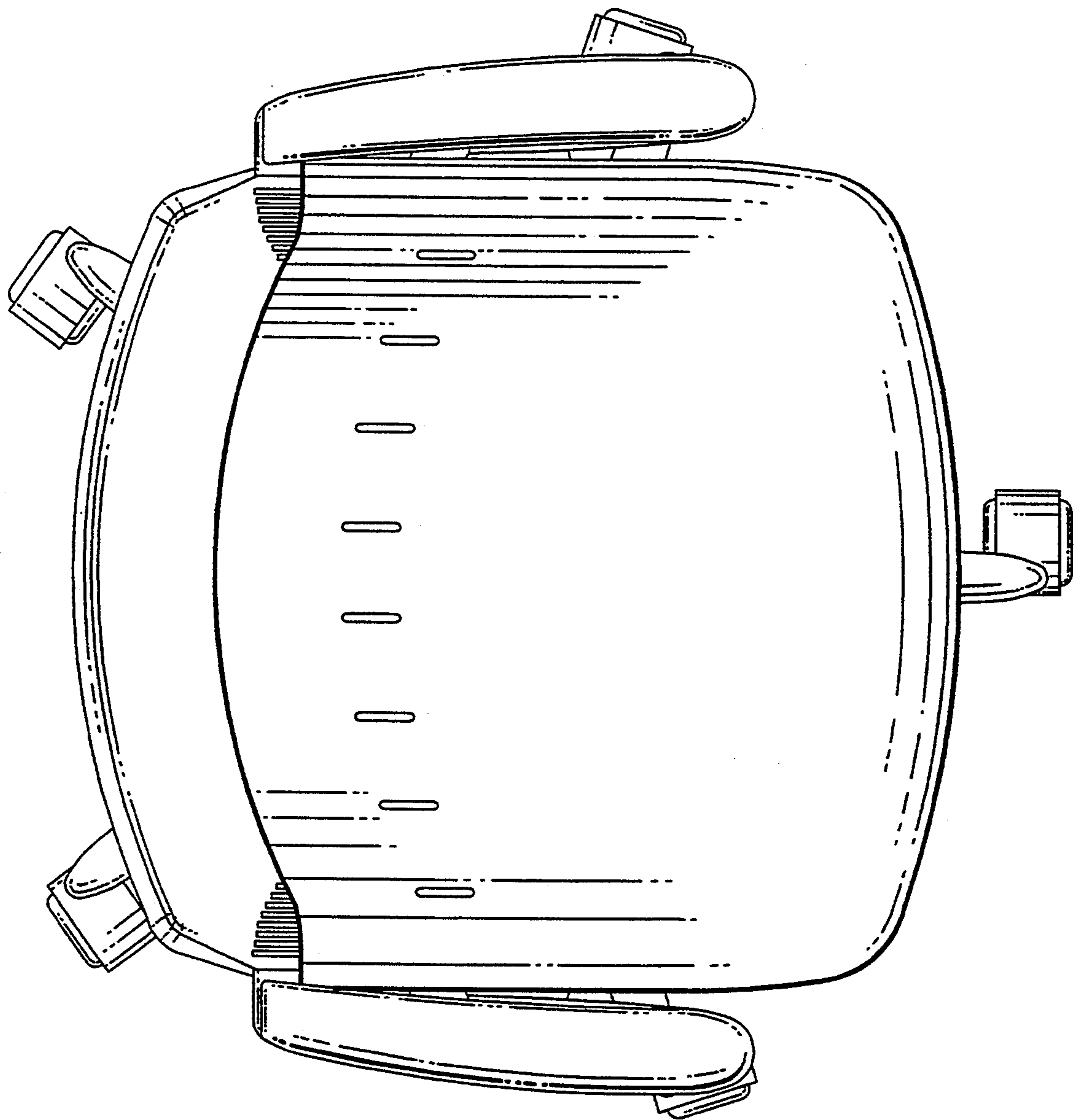


FIG. 5

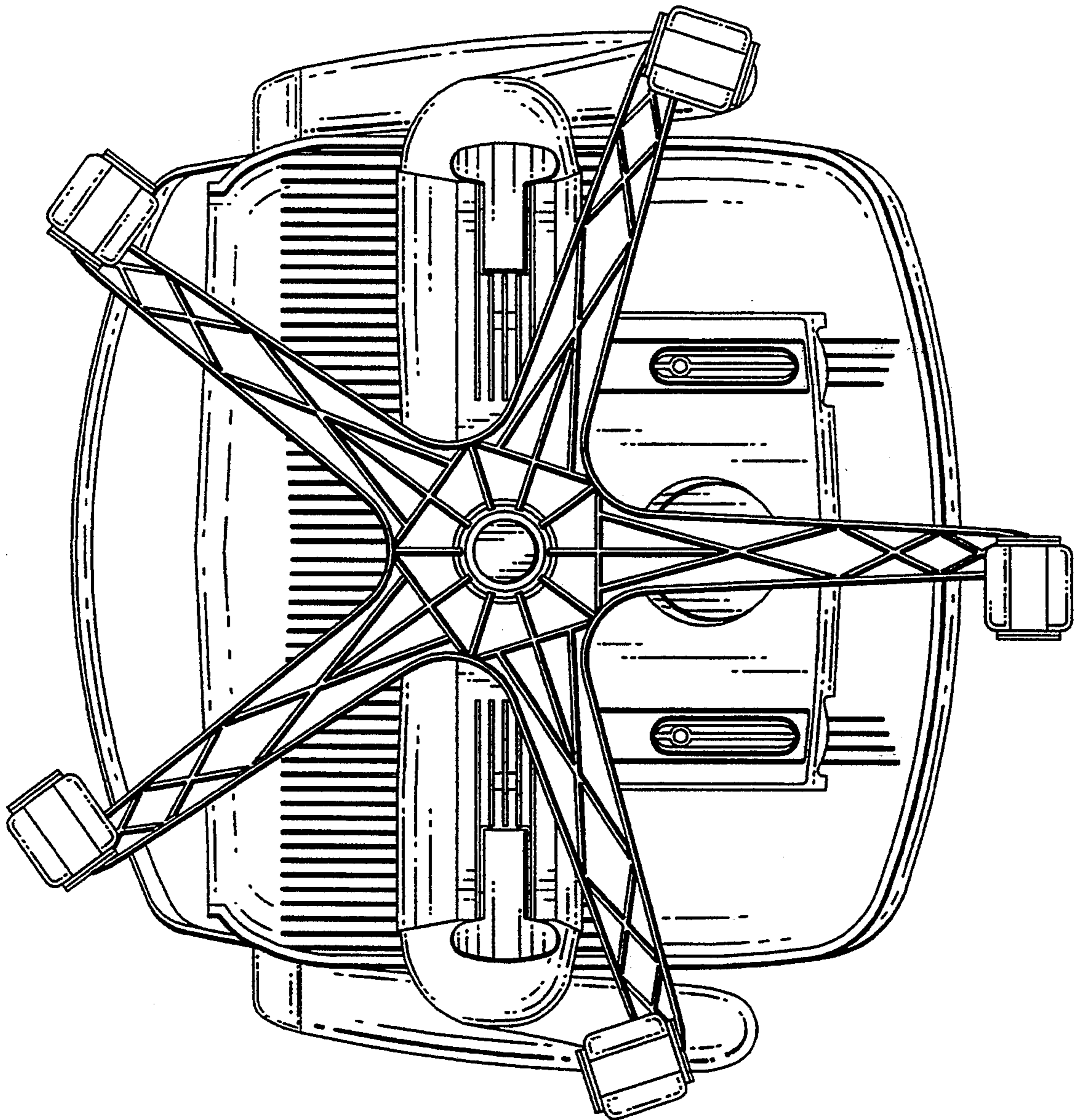


FIG. 6

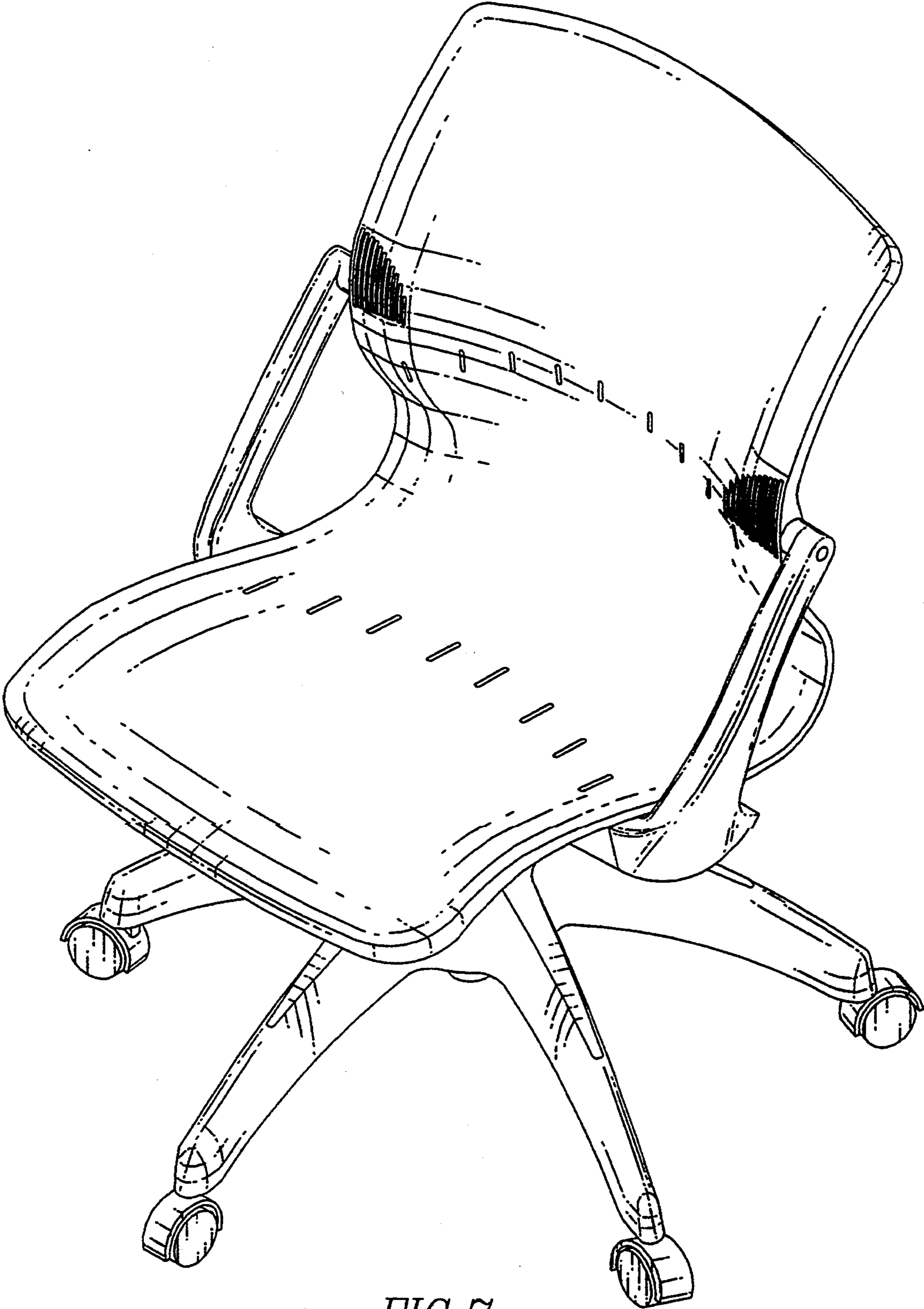


FIG. 7



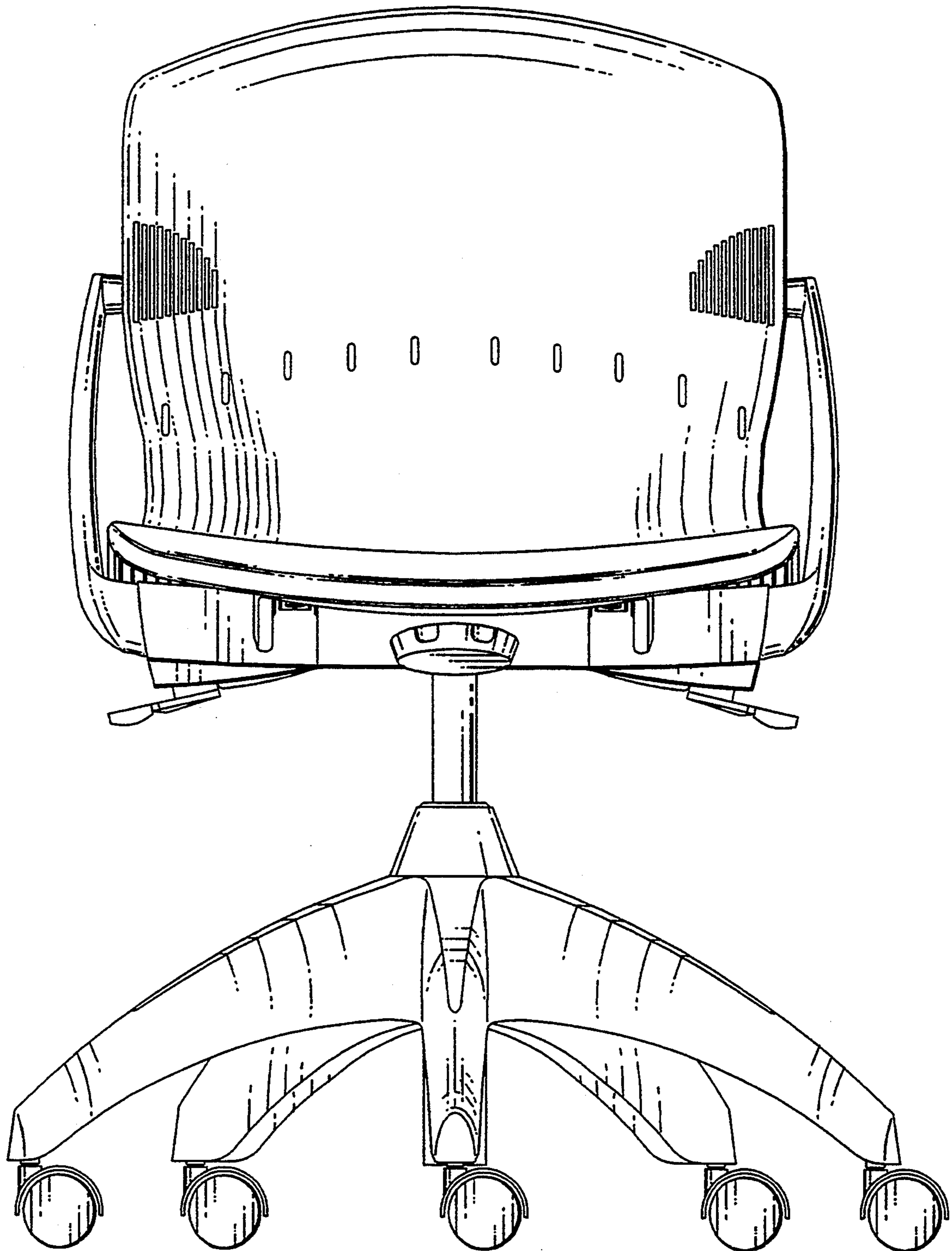


FIG. 8

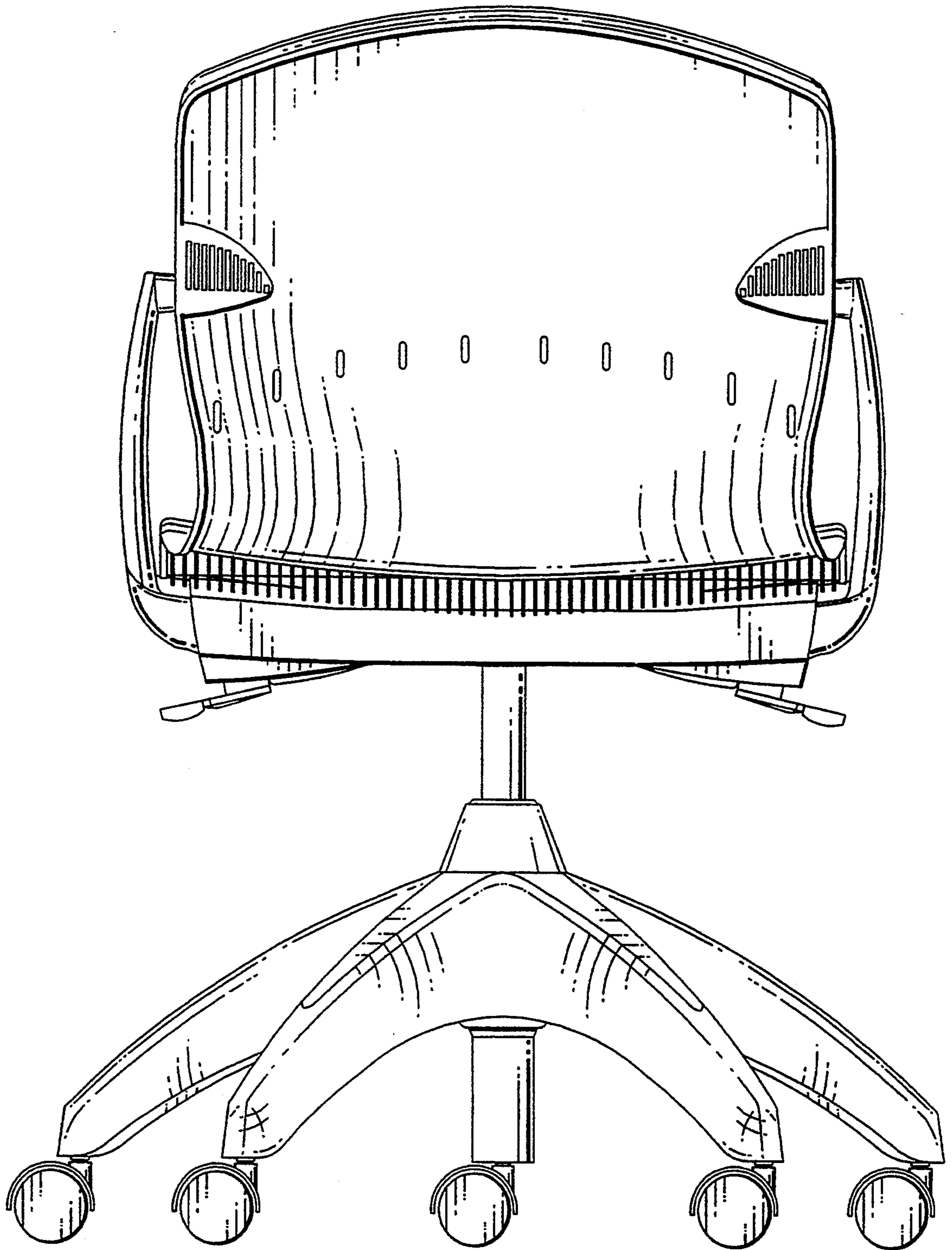


FIG. 9

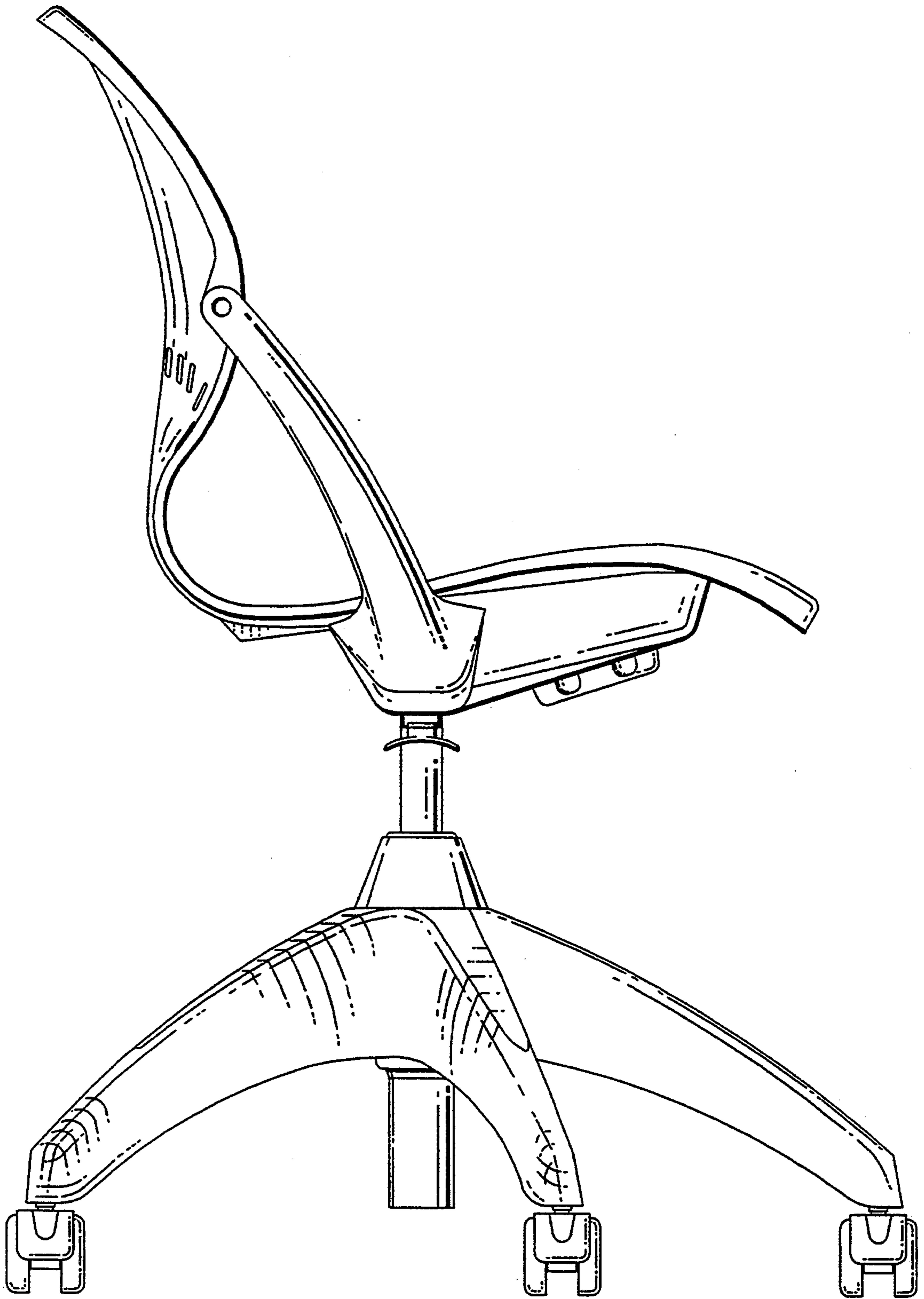


FIG. 10

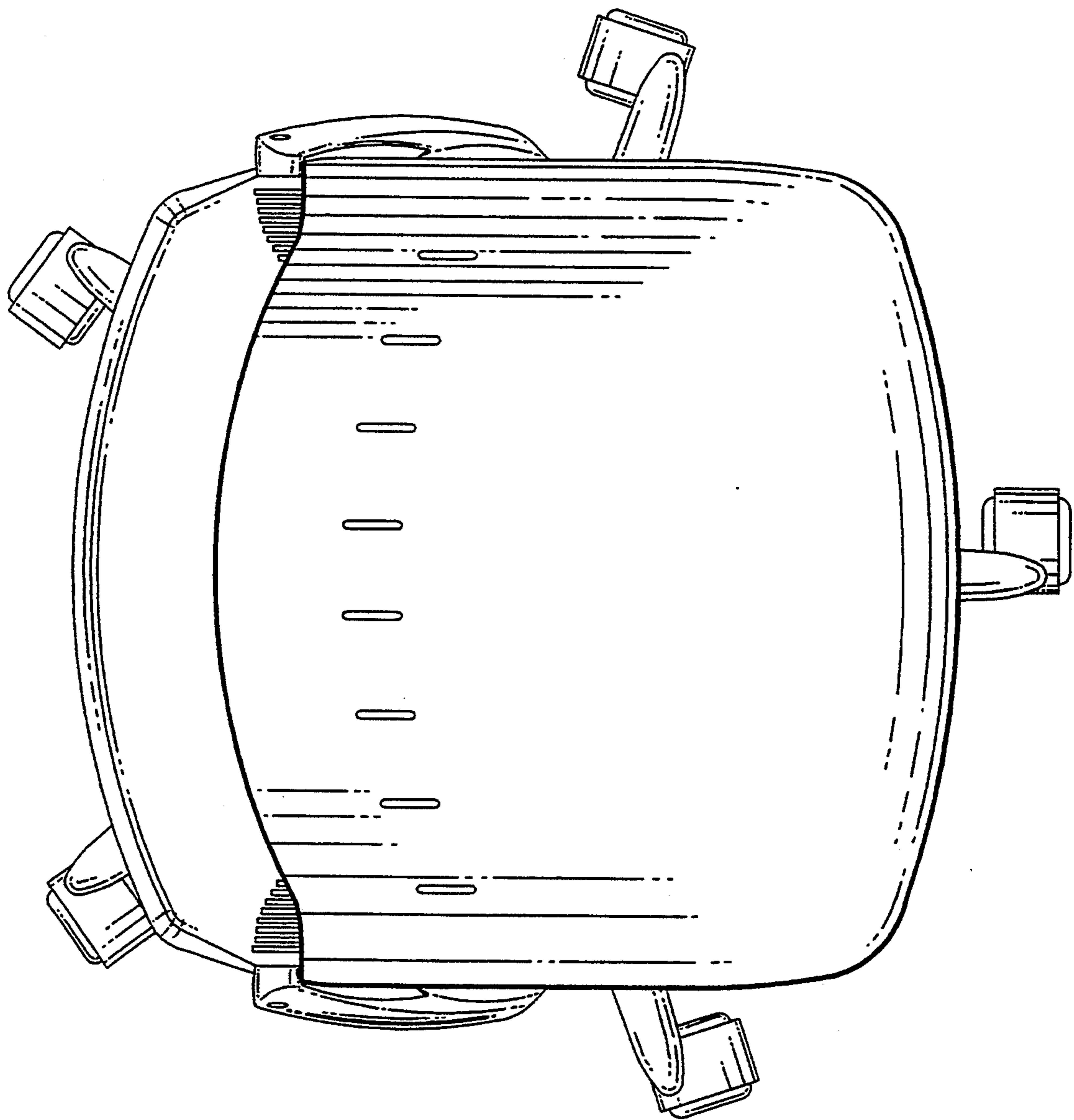


FIG. 11

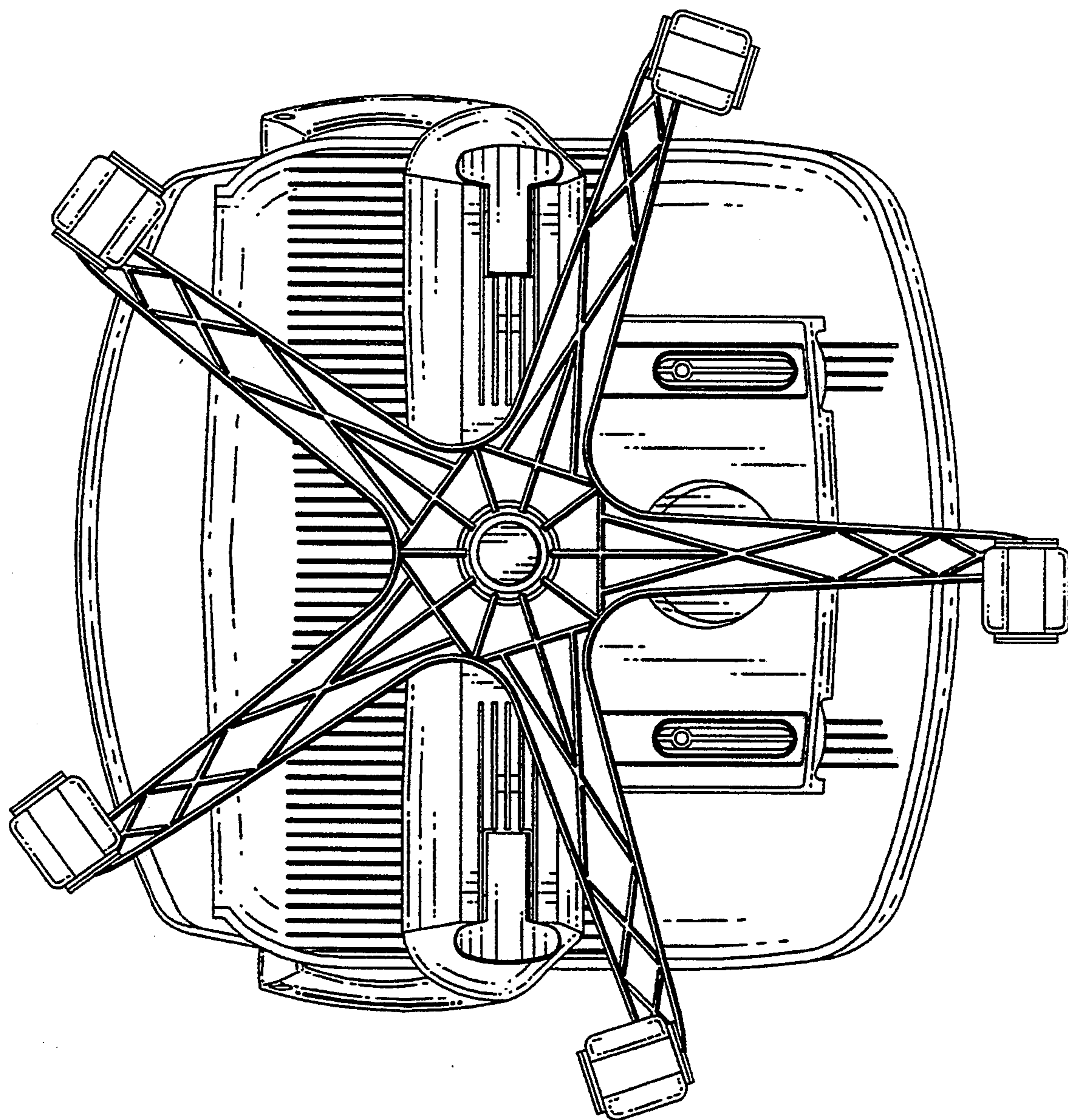


FIG. 12