



US00D354630S

United States Patent [19]

Tomczak

[11] Patent Number: **Des. 354,630**

[45] Date of Patent: **** Jan. 24, 1995**

[54] **BUS BENCH**

[76] Inventor: **Raymond J. Tomczak**, 3081 NE. 43 St., Fort Lauderdale, Fla. 33308

[**] Term: **14 Years**

[21] Appl. No.: **14,386**

[22] Filed: **Oct. 20, 1993**

[52] U.S. Cl. **D6/364; D6/381**

[58] Field of Search **D6/334, 335, 349, 364, D6/365, 370, 380, 381, 500, 501, 502; 297/232, 445**

[56] **References Cited**

U.S. PATENT DOCUMENTS

D. 285,151 8/1986 Molinari D6/381

D. 341,258 11/1993 Sawtelle D6/349
D. 343,530 1/1994 Sawtelle D6/381 X

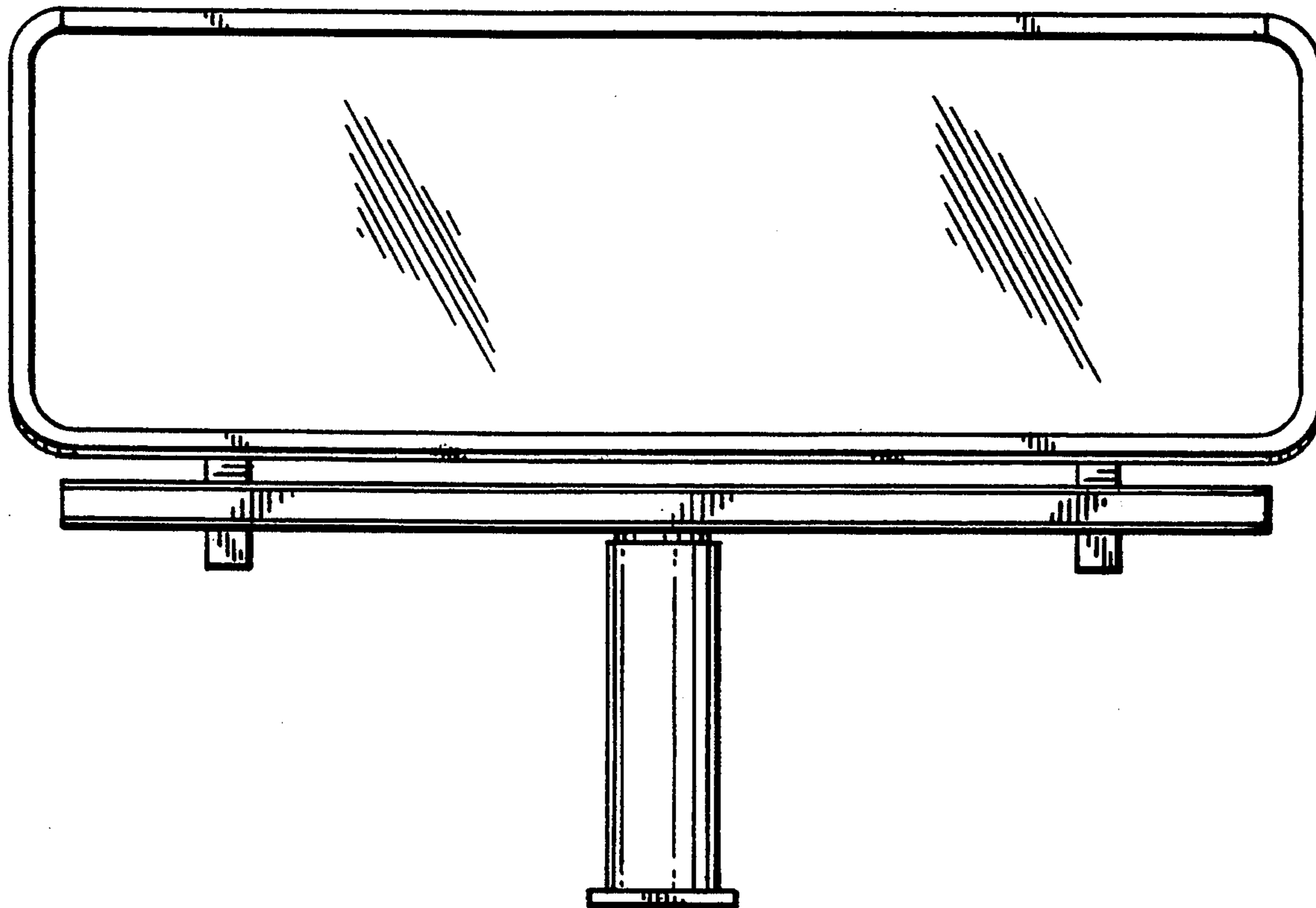
Primary Examiner—Alan P. Douglas
Assistant Examiner—Gary D. Watson
Attorney, Agent, or Firm—Robert M. Schwartz

[57] **CLAIM**

The ornamental design for a bus bench, as shown.

DESCRIPTION

FIG. 1 is a top view of the bus bench showing my new design;
FIG. 2 is a front view of my bus bench;
FIG. 3 is a bottom view of my bus bench;
FIG. 4 is a right side view of my bus bench;
FIG. 5 is a left side view of my bus bench; and,
FIG. 6 is a rear view of my bus bench thereof.



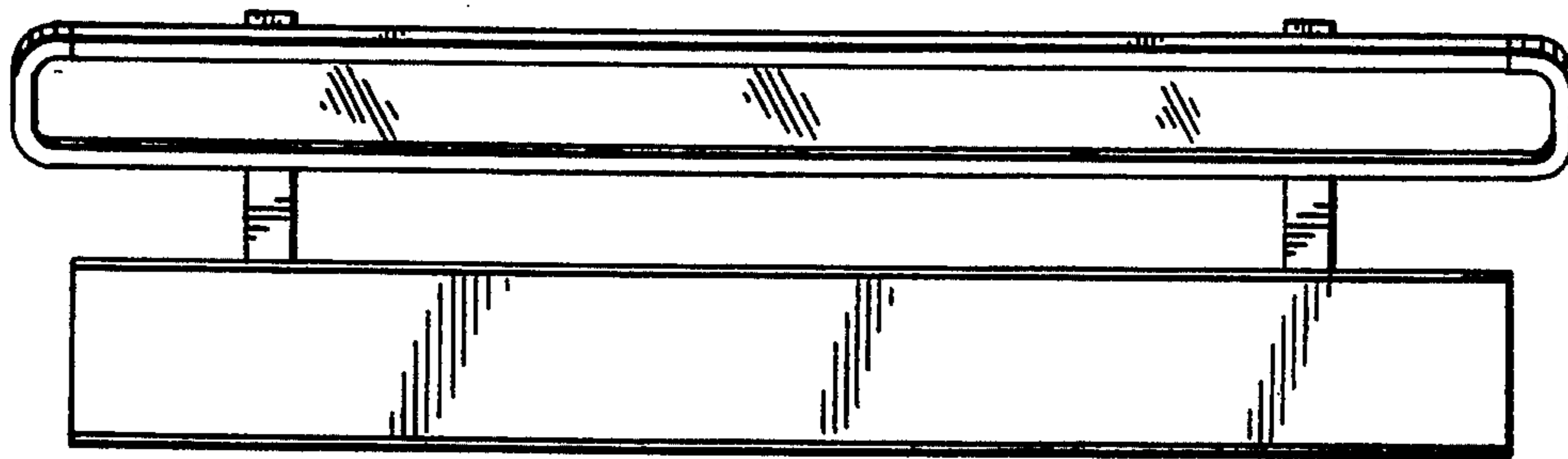


FIG. 1.

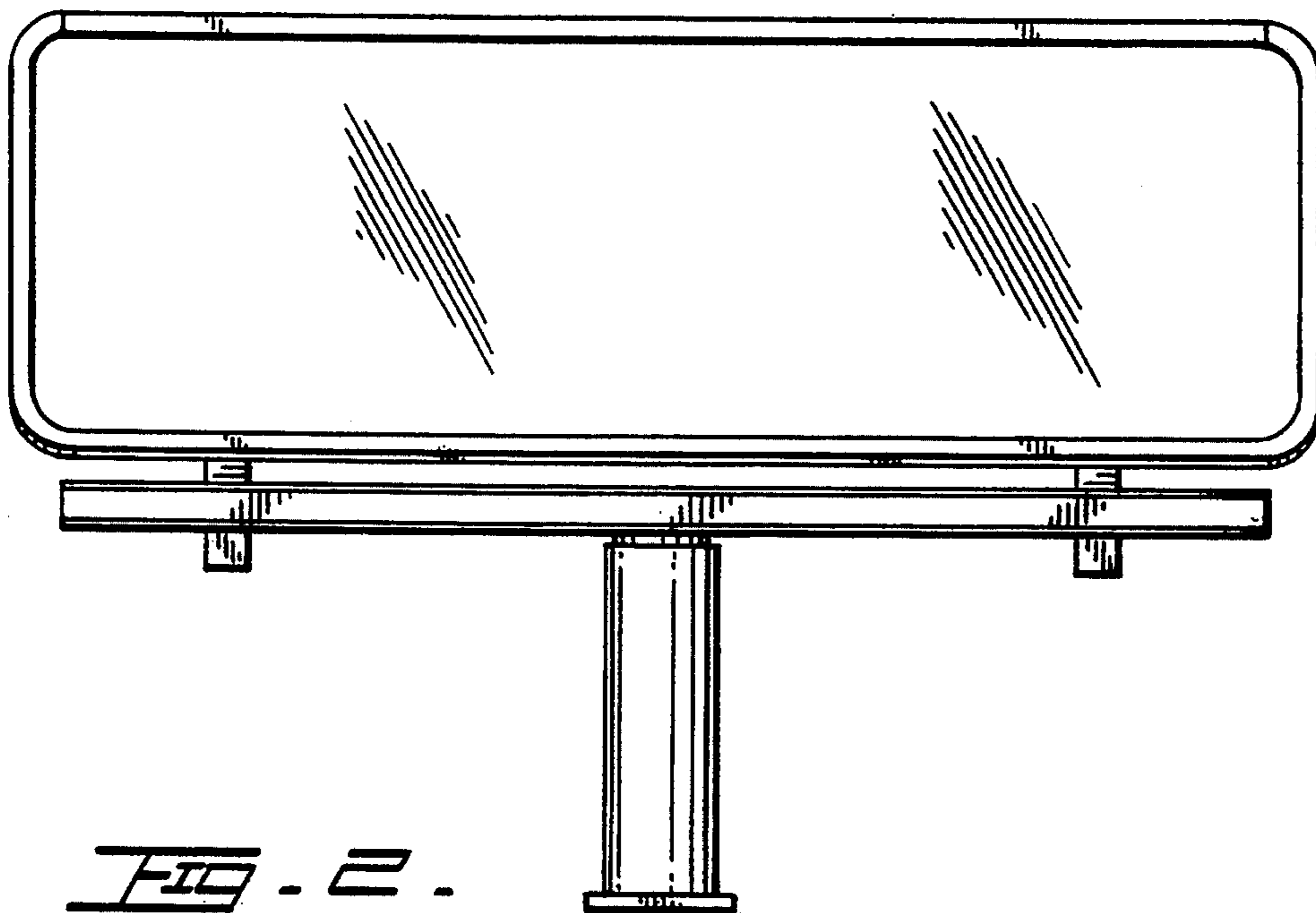


FIG. 2.

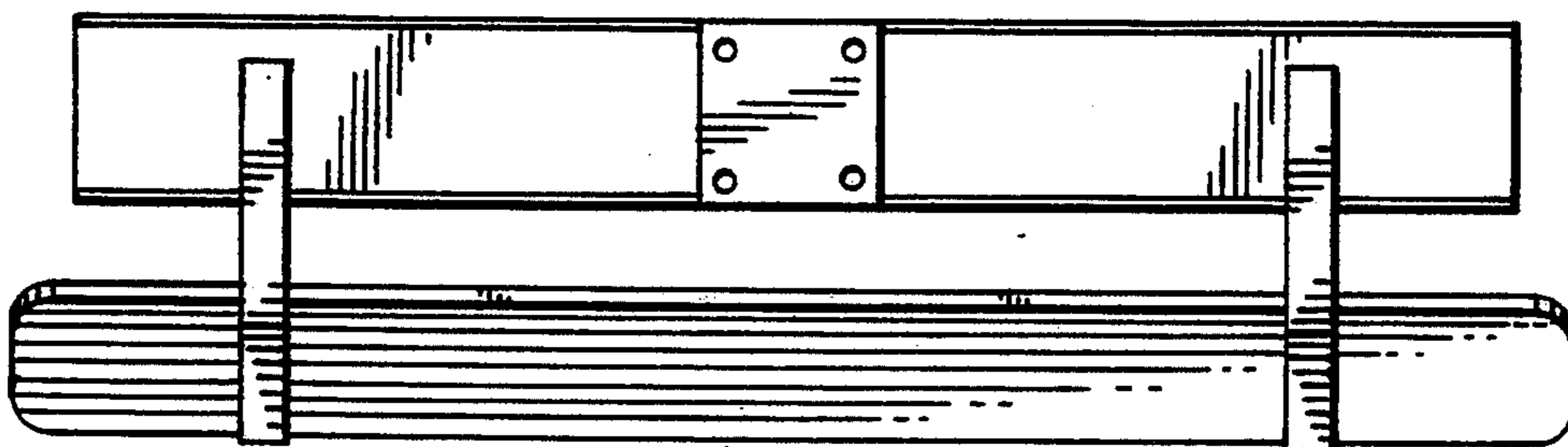


FIG. 3.

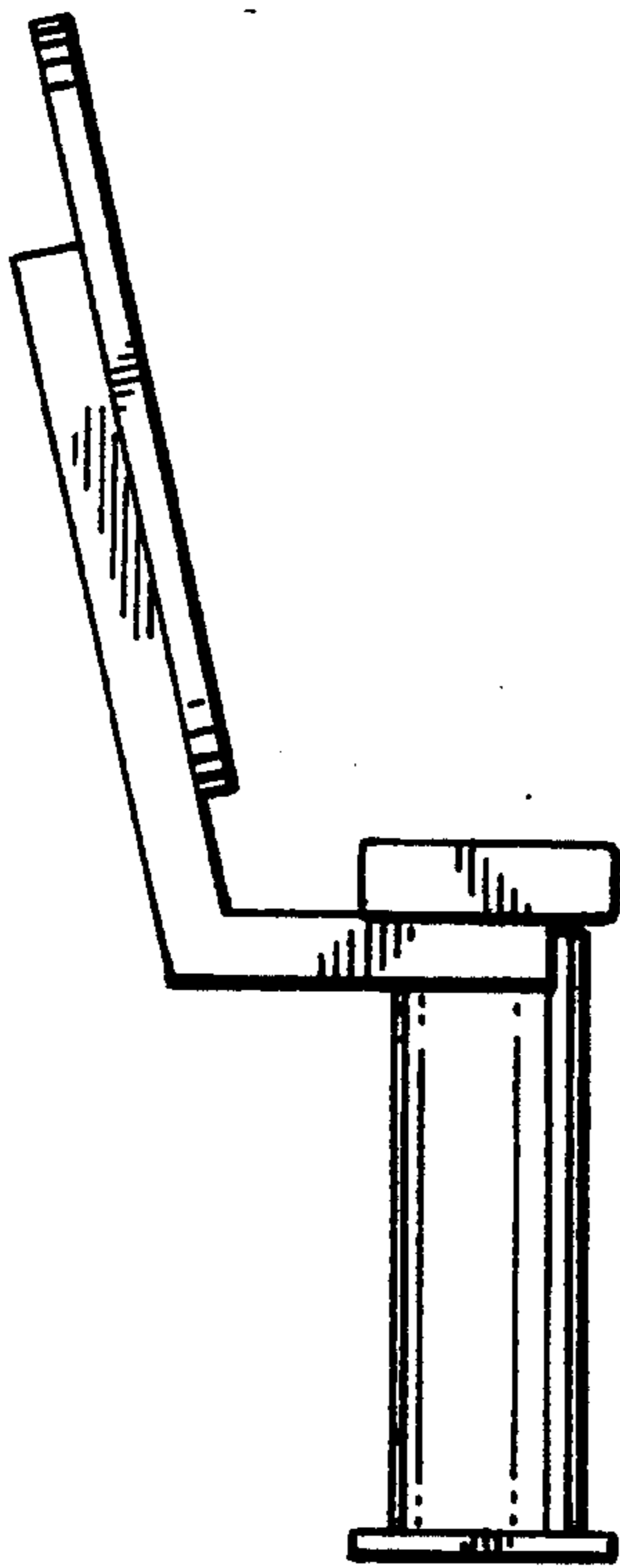


FIG. 4.

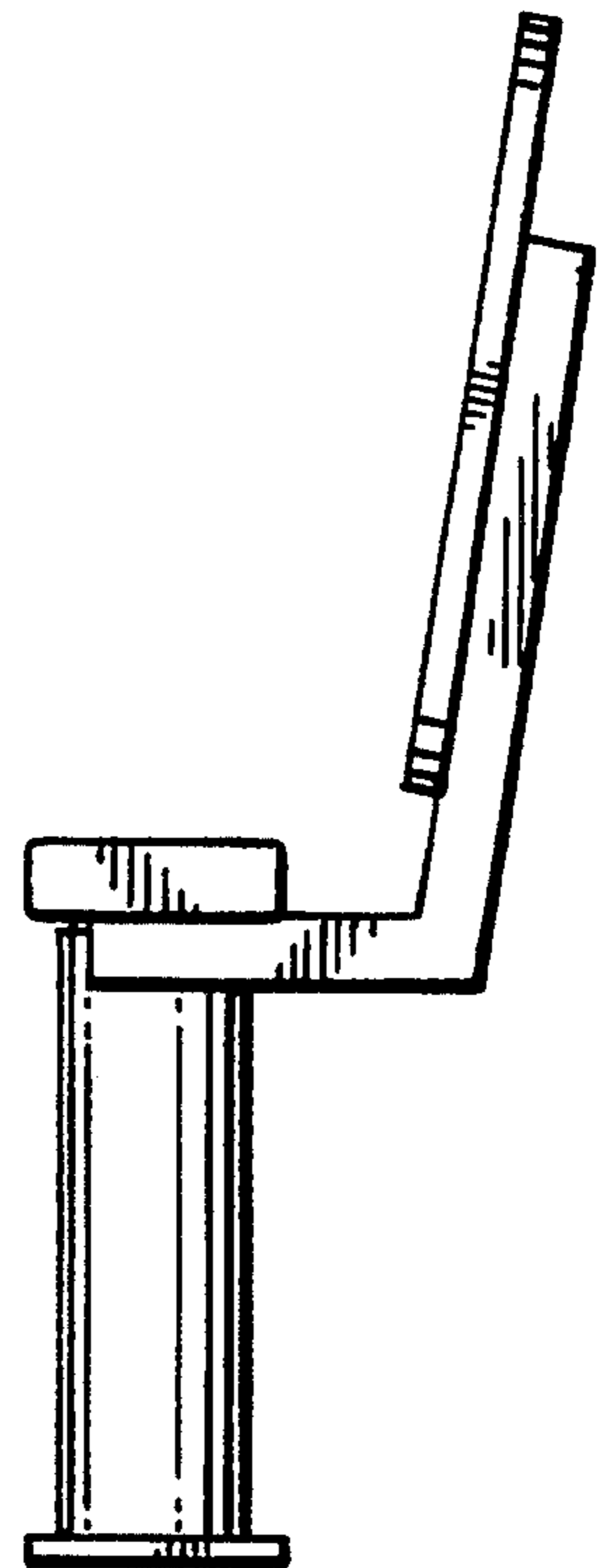


FIG. 5.

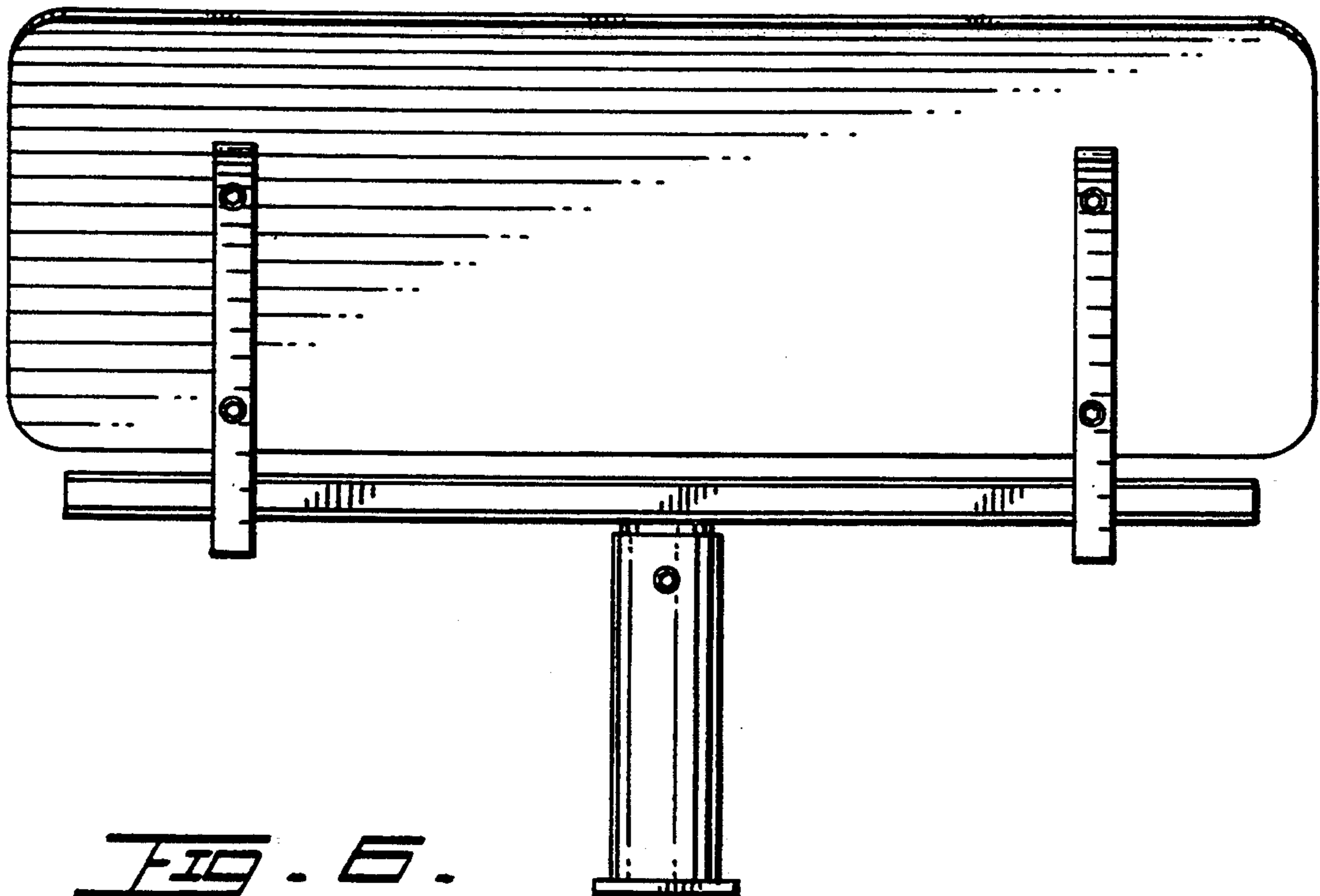


FIG. 6.