



US00D354624S

United States Patent [19] Gupta

[11] Patent Number: **Des. 354,624**

[45] Date of Patent: **** Jan. 24, 1995**

[54] **TONGUE CLEANER FOR INTEGRALLY
MOULDING WITH A TOOTH BRUSH**

1,728,956 9/1929 Darmitzel 132/309 X
2,583,750 1/1952 Runnels 606/161
2,637,870 5/1953 Cohen 606/161 X

[76] Inventor: **Subhash Gupta, 32-33 88 St., #106,
Jackson Heights, N.Y. 11369**

Primary Examiner—James M. Gandy
Assistant Examiner—Lavone D. Tabor
Attorney, Agent, or Firm—Manmohan K. Bakshi

[**] Term: **14 Years**

[21] Appl. No.: **14,216**

[57] **CLAIM**

[22] Filed: **Oct. 15, 1993**

The ornamental design for a tongue cleaner for integrally moulding with a tooth brush, as shown and described.

[52] U.S. Cl. **D4/108; D24/146**

[58] Field of Search **D4/104-113,
D4/116, 118, 136, 138, 199; 15/105, 110, 111,
143.1, 159.1, 160, 167.1, 167.2; 601/139, 141;
606/161; D24/146; 132/308, 309**

DESCRIPTION

[56] **References Cited**

FIG. 1 is a top plan view of the tongue cleaner;
FIG. 2 is a top view thereof;
FIG. 3 is a side elevation view thereof;
FIG. 4 is a cross section view thereof;
FIG. 5 is a front elevation view thereof; and,
FIG. 6 is a bottom plan view thereof.

U.S. PATENT DOCUMENTS

D. 293,288 12/1987 Cron et al. D4/104

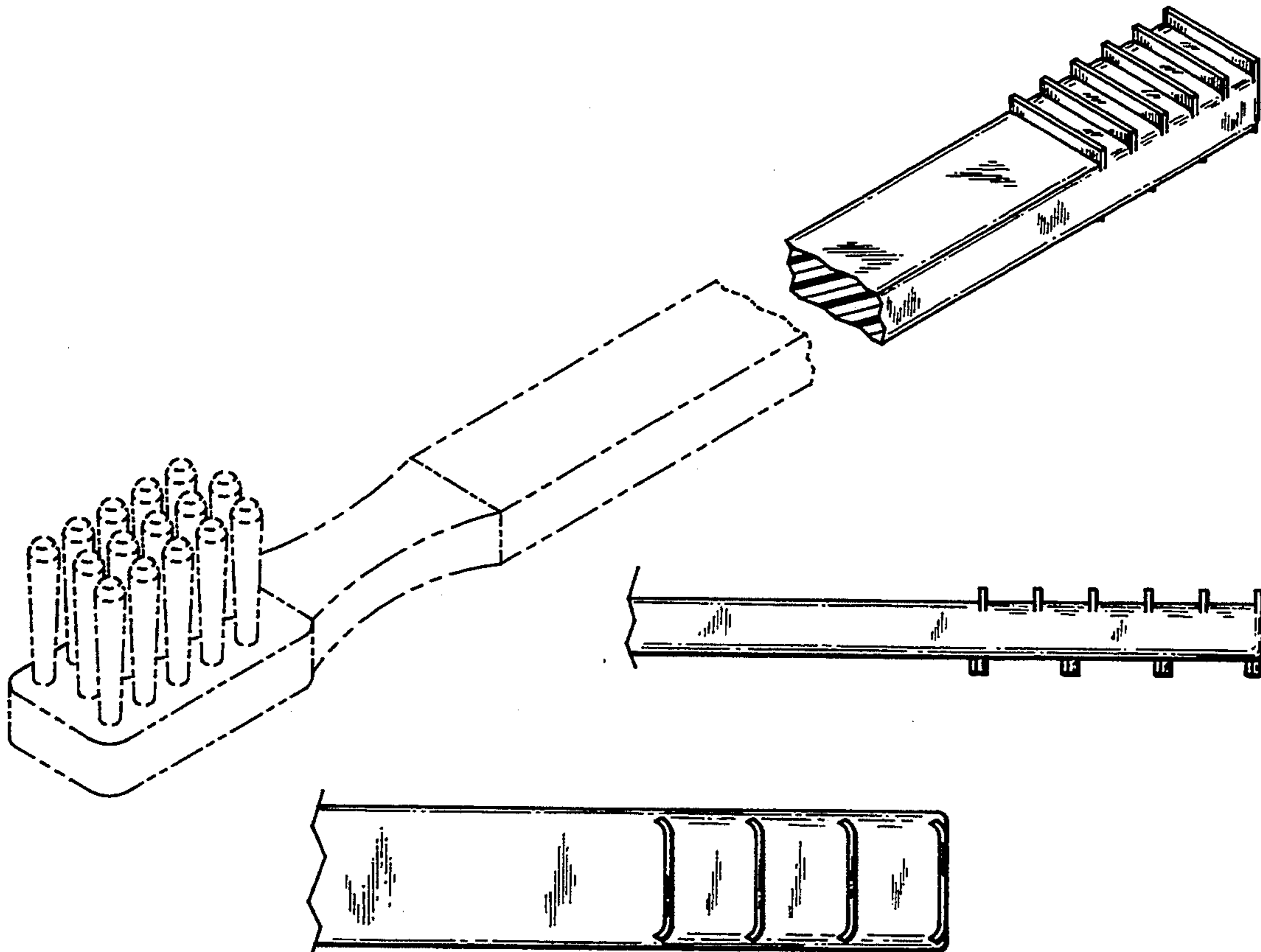


FIG. 1

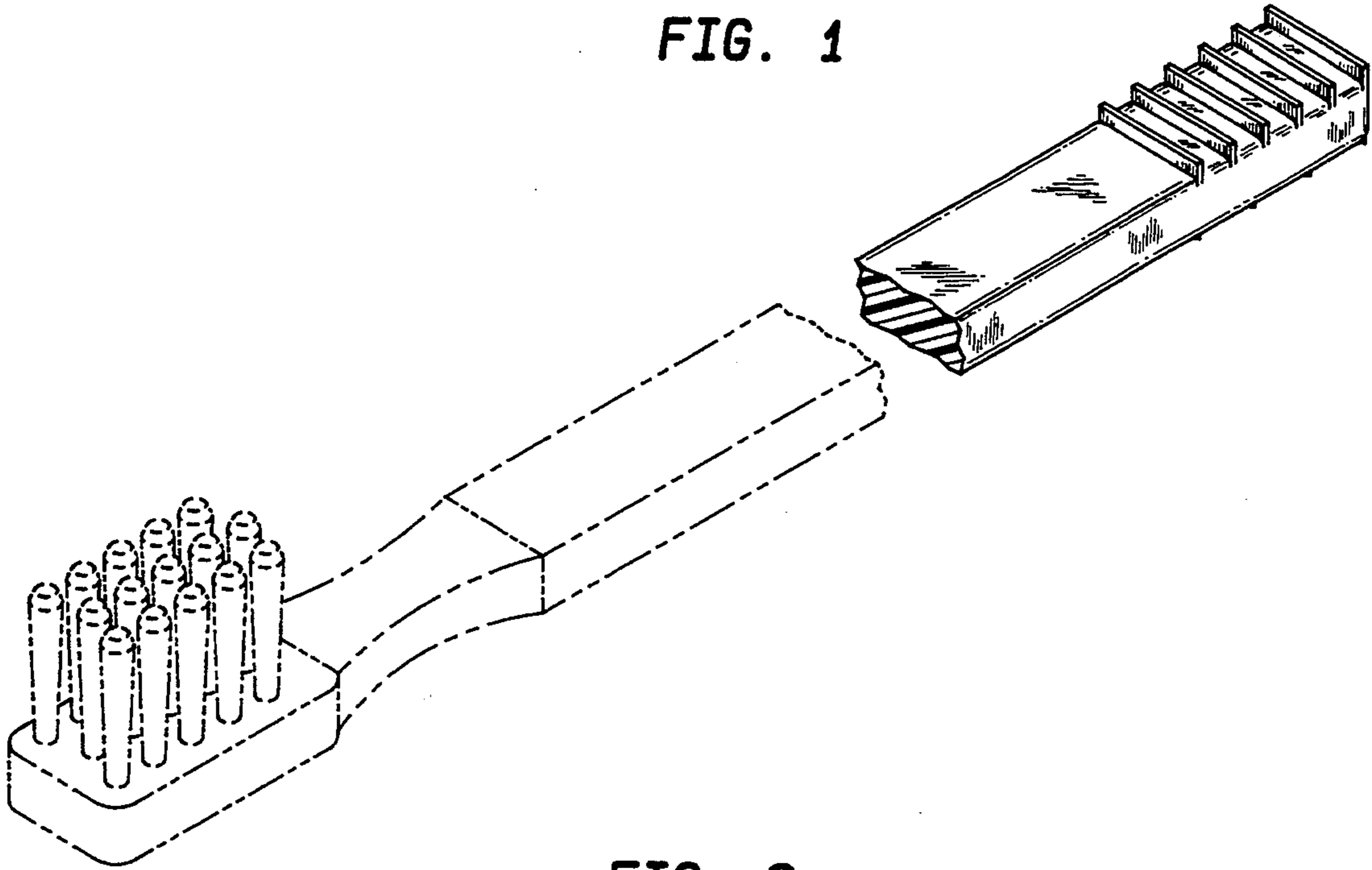


FIG. 2

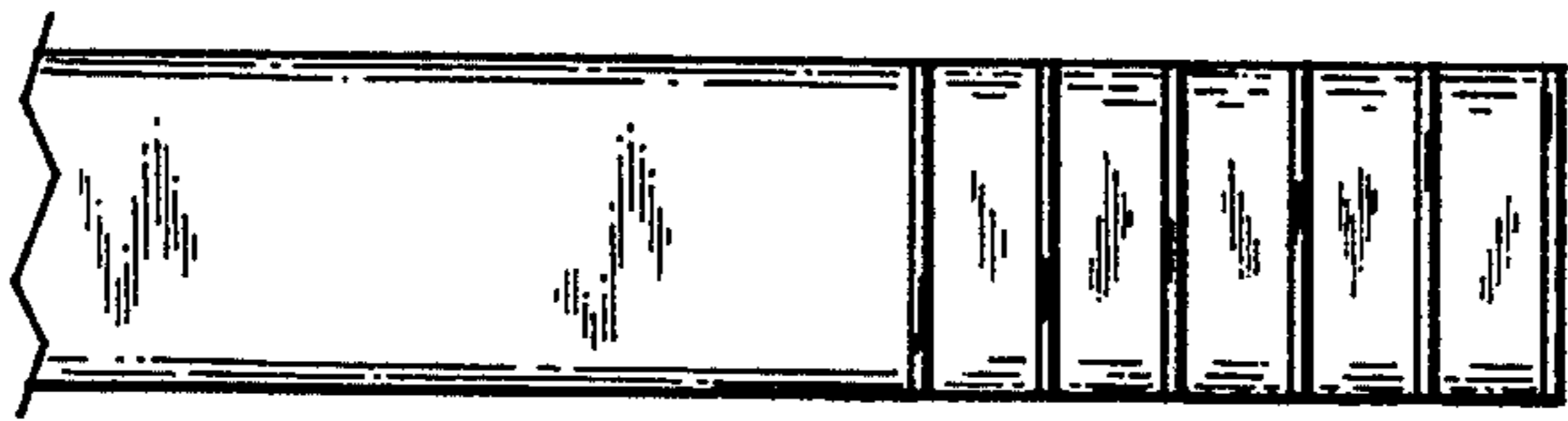


FIG. 4



FIG. 3

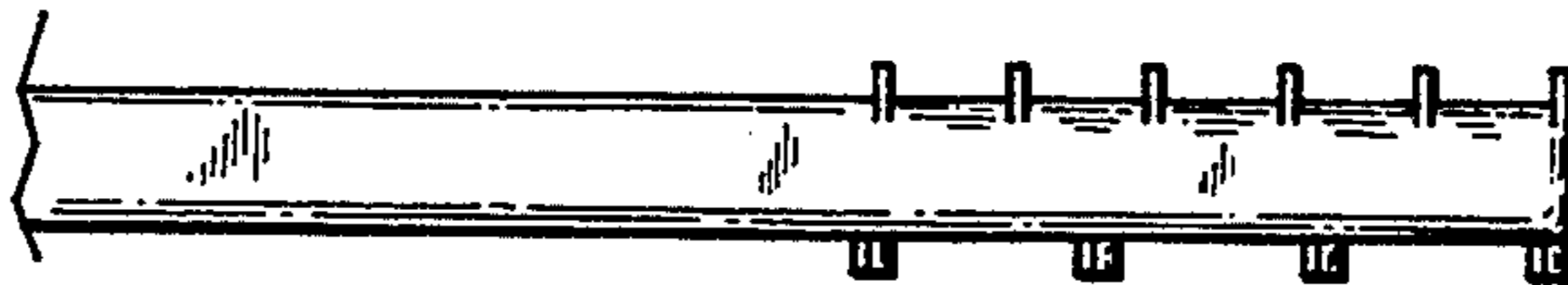


FIG. 5



FIG. 6

