



US00D354622S

United States Patent [19]

Lovell

[11] Patent Number: **Des. 354,622**

[45] Date of Patent: **** Jan. 24, 1995**

[54] **LARGE COSMETIC CASE**

[75] Inventor: **Brian J. Lovell, San Diego, Calif.**

[73] Assignee: **Sassaby, Inc., San Diego, Calif.**

[**] Term: **14 Years**

[21] Appl. No.: **5,543**

[22] Filed: **Mar. 5, 1993**

[52] U.S. Cl. **D3/281; D3/294; D3/901**

[58] Field of Search **D3/205, 281, 294, 901, D3/900, 274; 220/DIG. 26; 206/235, 581, 823**

[56] **References Cited**

U.S. PATENT DOCUMENTS

- D. 106,124 9/1937 Pratt D3/281
- D. 160,949 11/1950 Knell D3/901 X
- D. 179,783 2/1957 Schwarz D3/901 X

- D. 285,626 9/1986 Yen D3/900 X
- D. 315,247 3/1991 Lovell D3/281
- 4,936,463 6/1990 Tiramani 206/235 X
- 5,211,302 5/1993 Tiramani 206/581 X
- 5,323,924 6/1994 Wolff 206/581 X

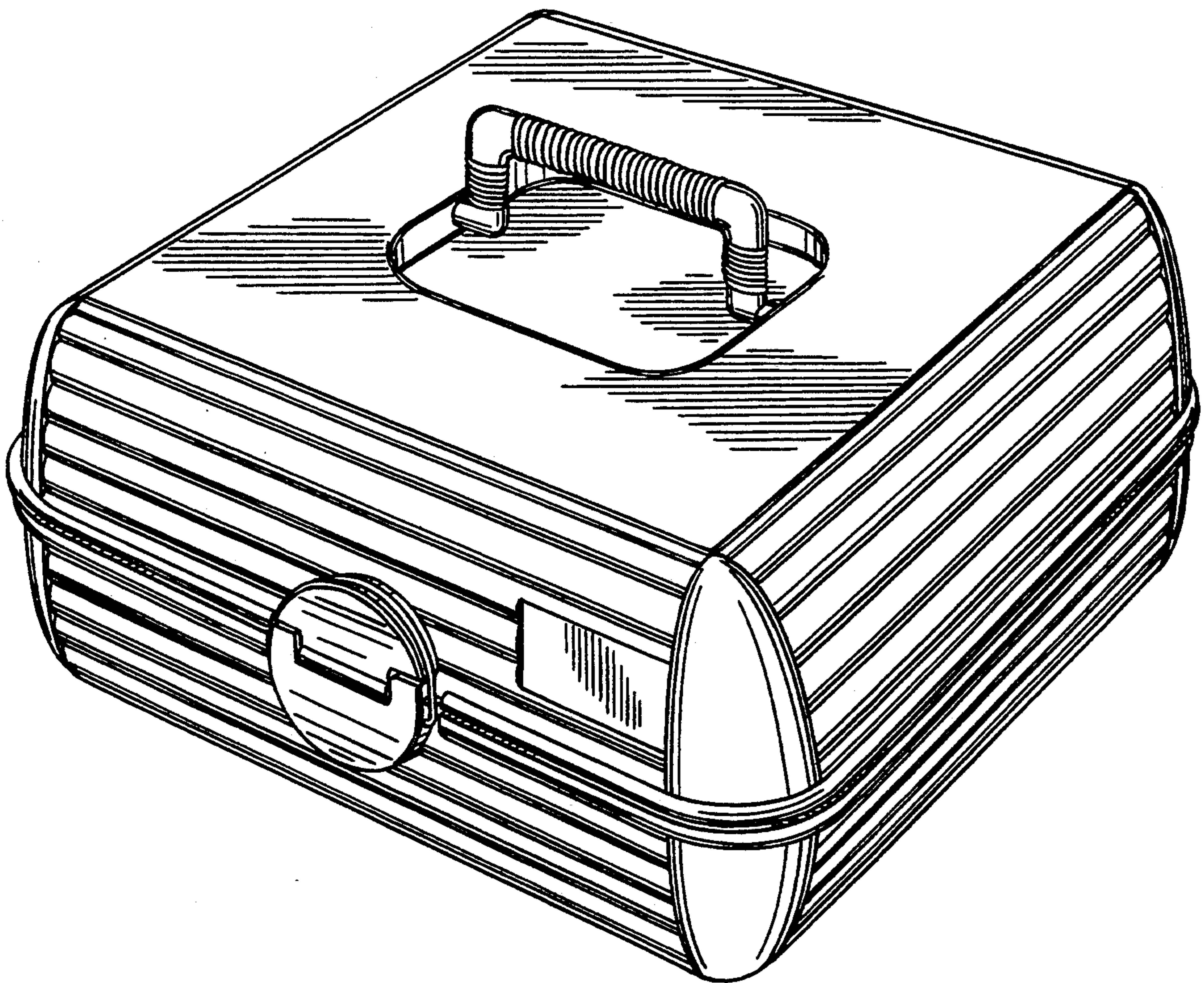
Primary Examiner—Louis S. Zarfaz
Attorney, Agent, or Firm—Brown, Martin, Haller & McClain

[57] **CLAIM**

The ornamental design for a large cosmetic case, as shown.

DESCRIPTION

FIG. 1 is a perspective view from the right front of a large cosmetic case, showing my new design; FIG. 2 is a left side elevational view thereof; FIG. 3 is a bottom plan view thereof; and, FIG. 4 is a rear elevational view thereof.



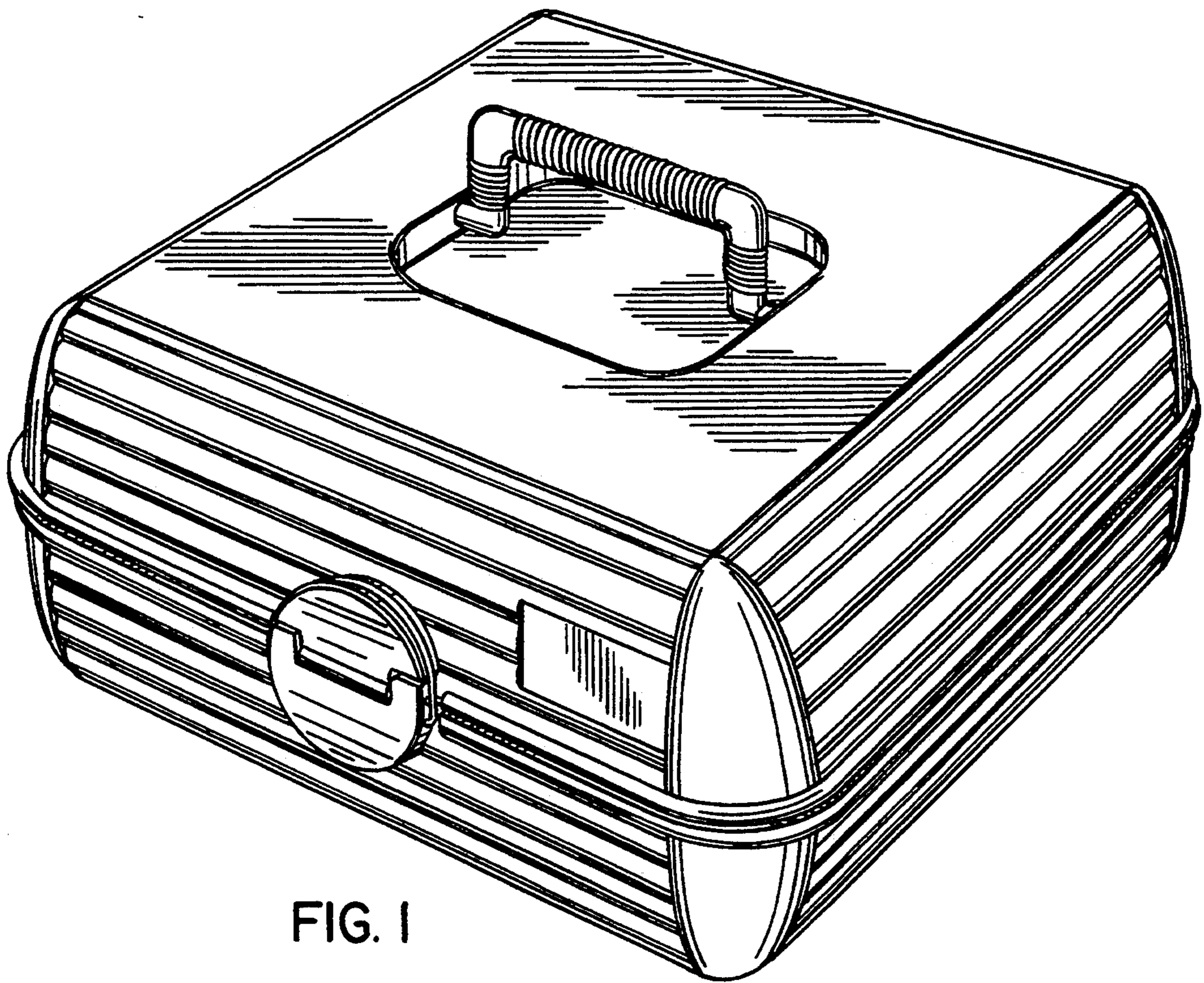


FIG. 1

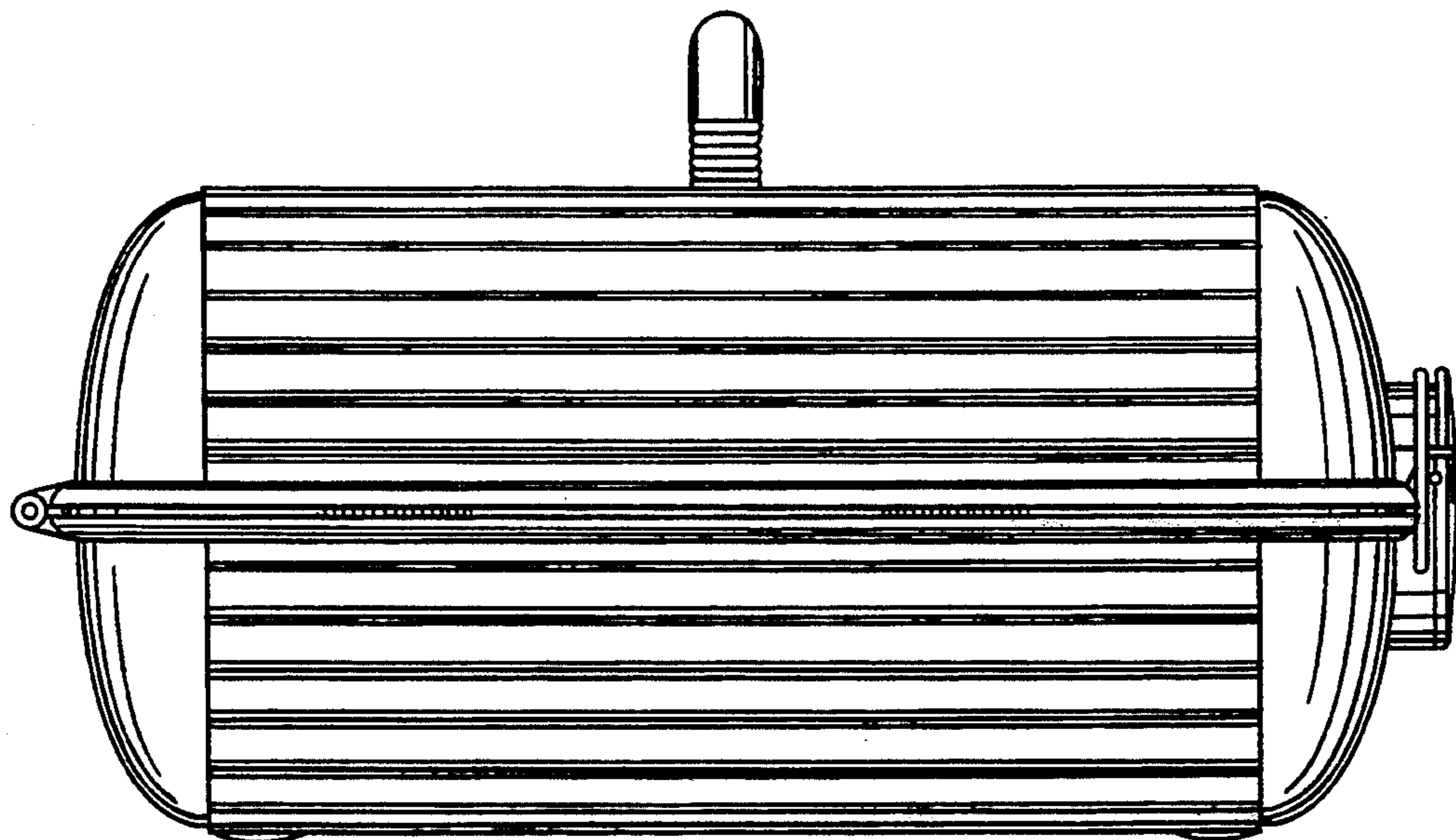


FIG. 2

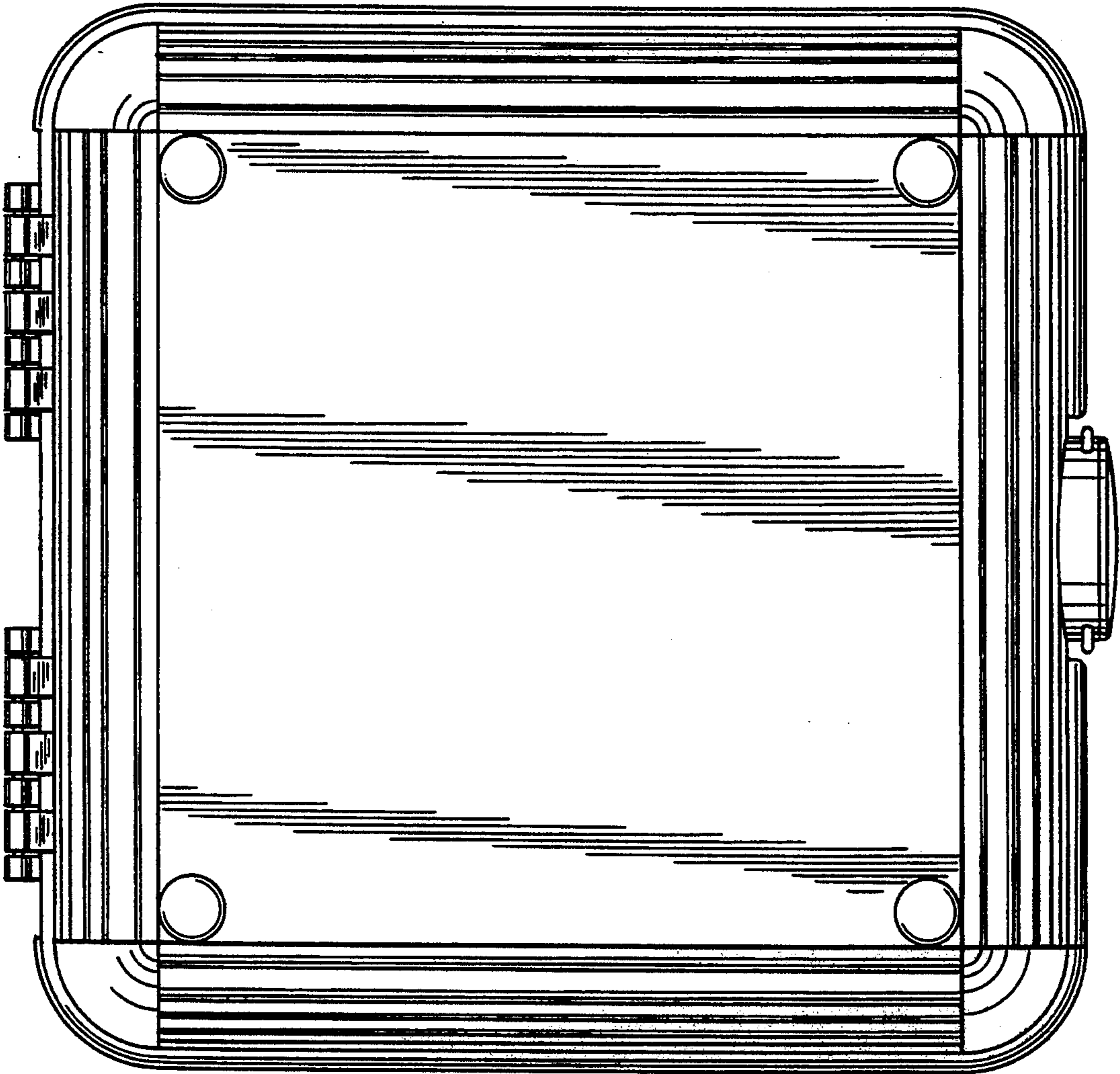


FIG. 3

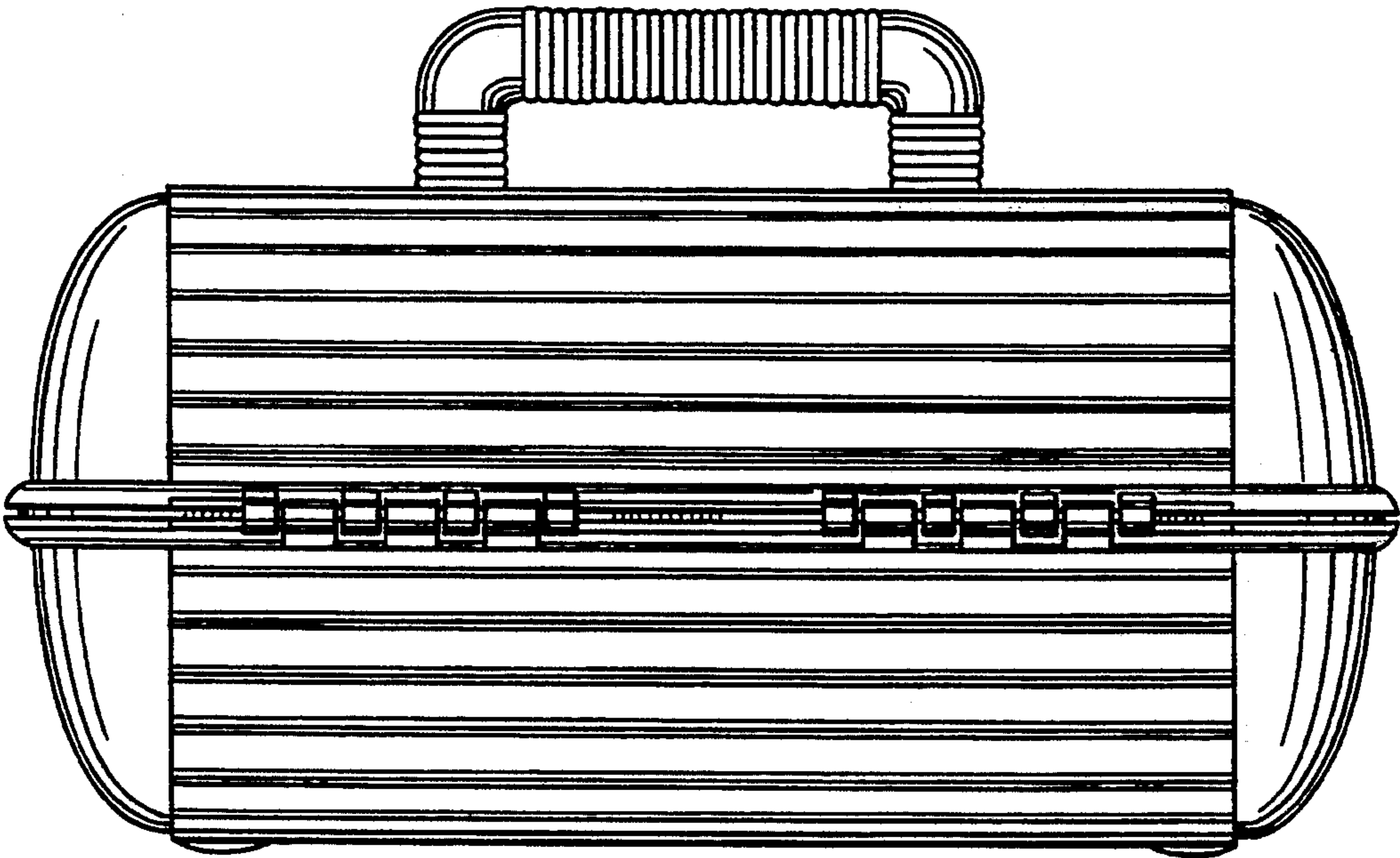


FIG. 4