



US00D354614S

United States Patent [19]
Chen

[11] **Patent Number: Des. 354,614**

[45] **Date of Patent: ** Jan. 24, 1995**

[54] **INFLATABLE CAP**

[76] **Inventor: Steve S. Chen, 1245 Fulton Pl., Fremont, Calif. 94539**

[**] **Term: 14 Years**

[21] **Appl. No.: 2,109**

[22] **Filed: Dec. 3, 1992**

[30] **Foreign Application Priority Data**

Jun. 11, 1992 [GB] United Kingdom 2023433

[52] **U.S. Cl. D2/869**

[58] **Field of Search D2/865, 866, 868, 869, D2/885, 895; 2/171, 195.1, 200.3, 209.13**

[56] **References Cited**

U.S. PATENT DOCUMENTS

D. 56,990 1/1921 Place D2/869
D. 80,778 3/1930 Cash D2/869

D. 134,203 10/1942 Harpignies D2/869
3,150,381 9/1964 Baumkirchner D2/869

Primary Examiner—Alan P. Douglas
Assistant Examiner—R. Spear
Attorney, Agent, or Firm—Samuels, Gauthier & Stevens

[57] **CLAIM**

The ornamental design for an inflatable cap, as shown and described.

DESCRIPTION

FIG. 1 is a front top perspective view of an inflatable cap showing my new design;
FIG. 2 is a rear perspective view thereof;
FIG. 3 is a top plan view thereof;
FIG. 4 is a bottom plan view thereof;
FIG. 5 is a right side elevational view thereof;
FIG. 6 is a left side elevational view thereof;
FIG. 7 is a front end view thereof; and,
FIG. 8 is a rear view thereof.

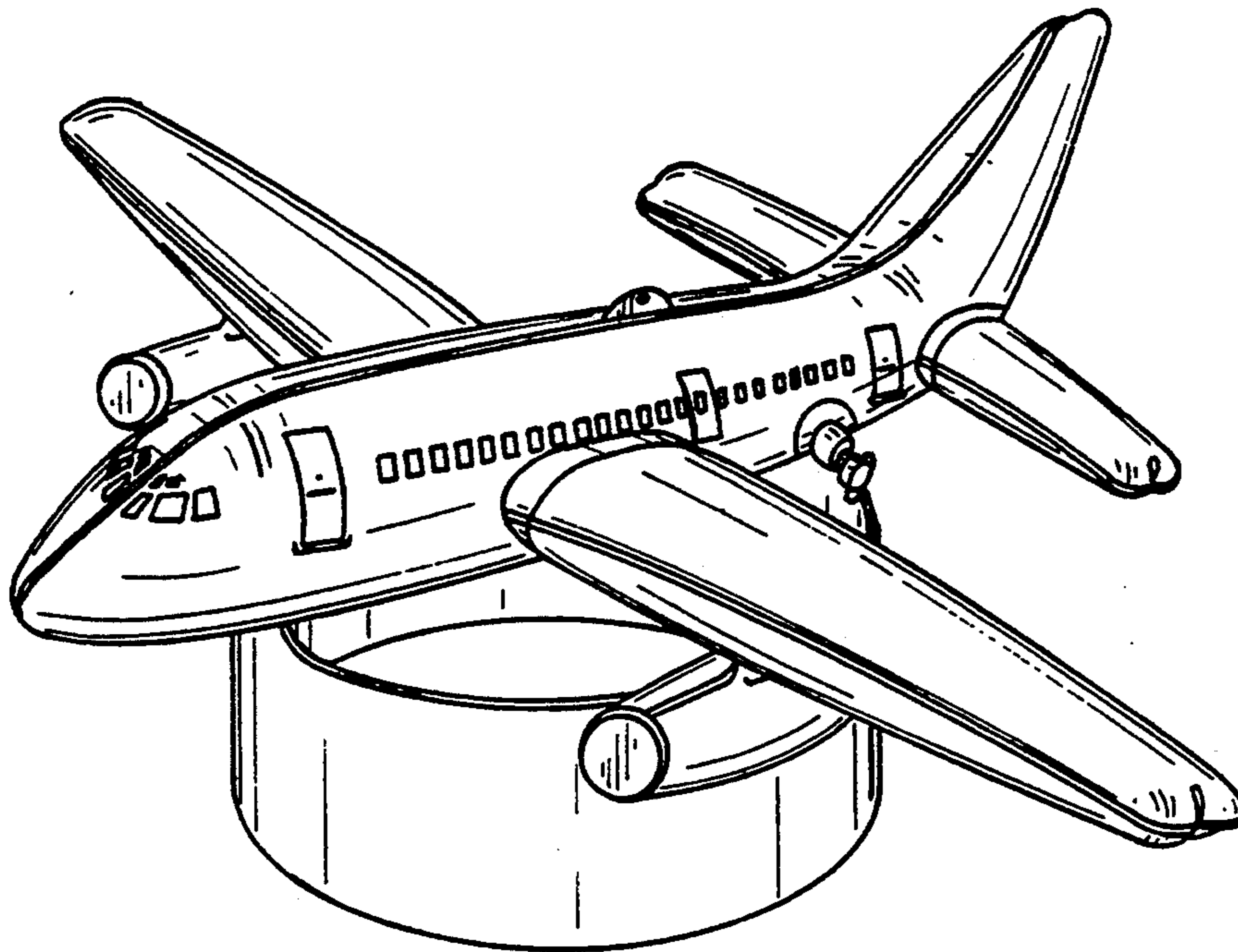


FIG. 1

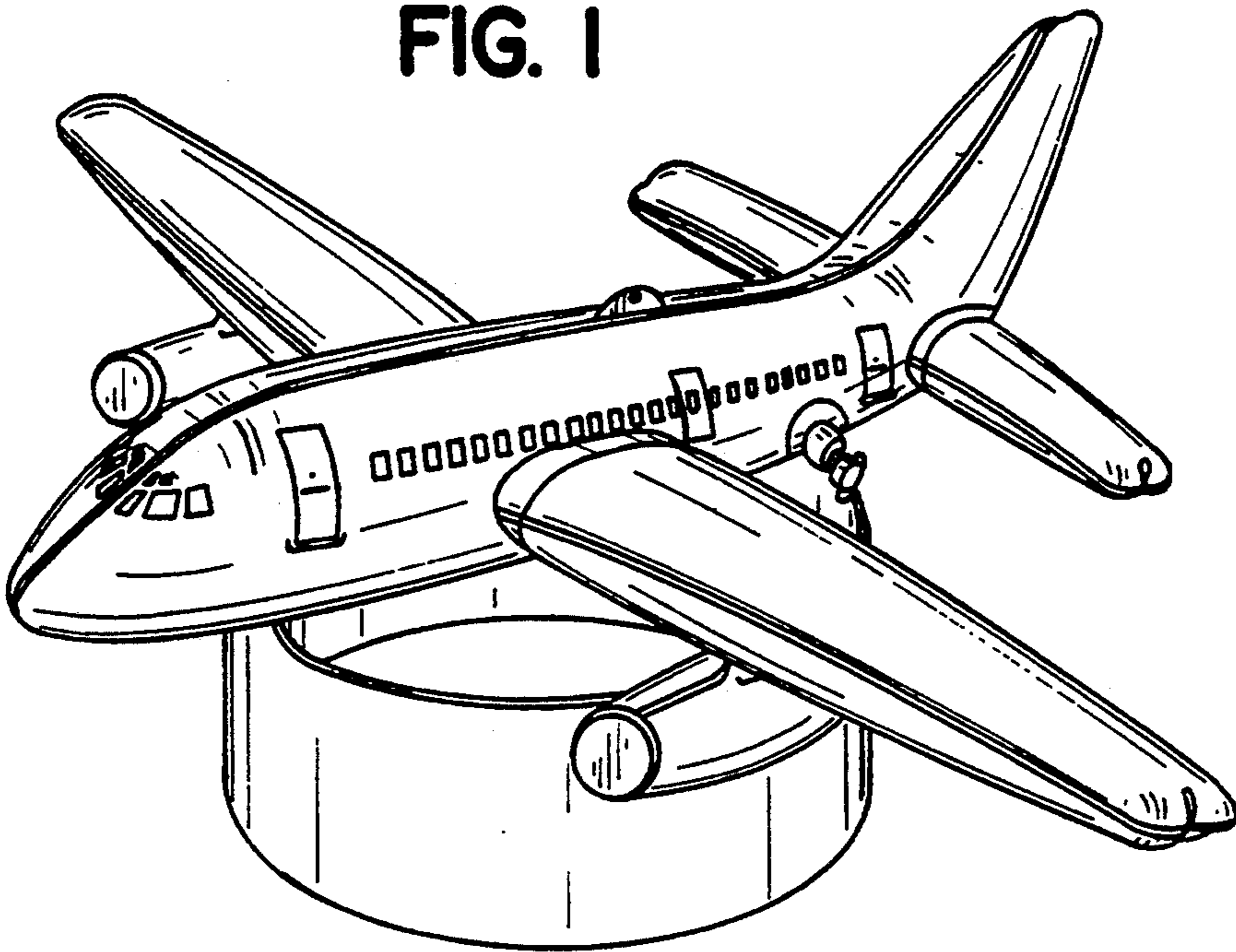
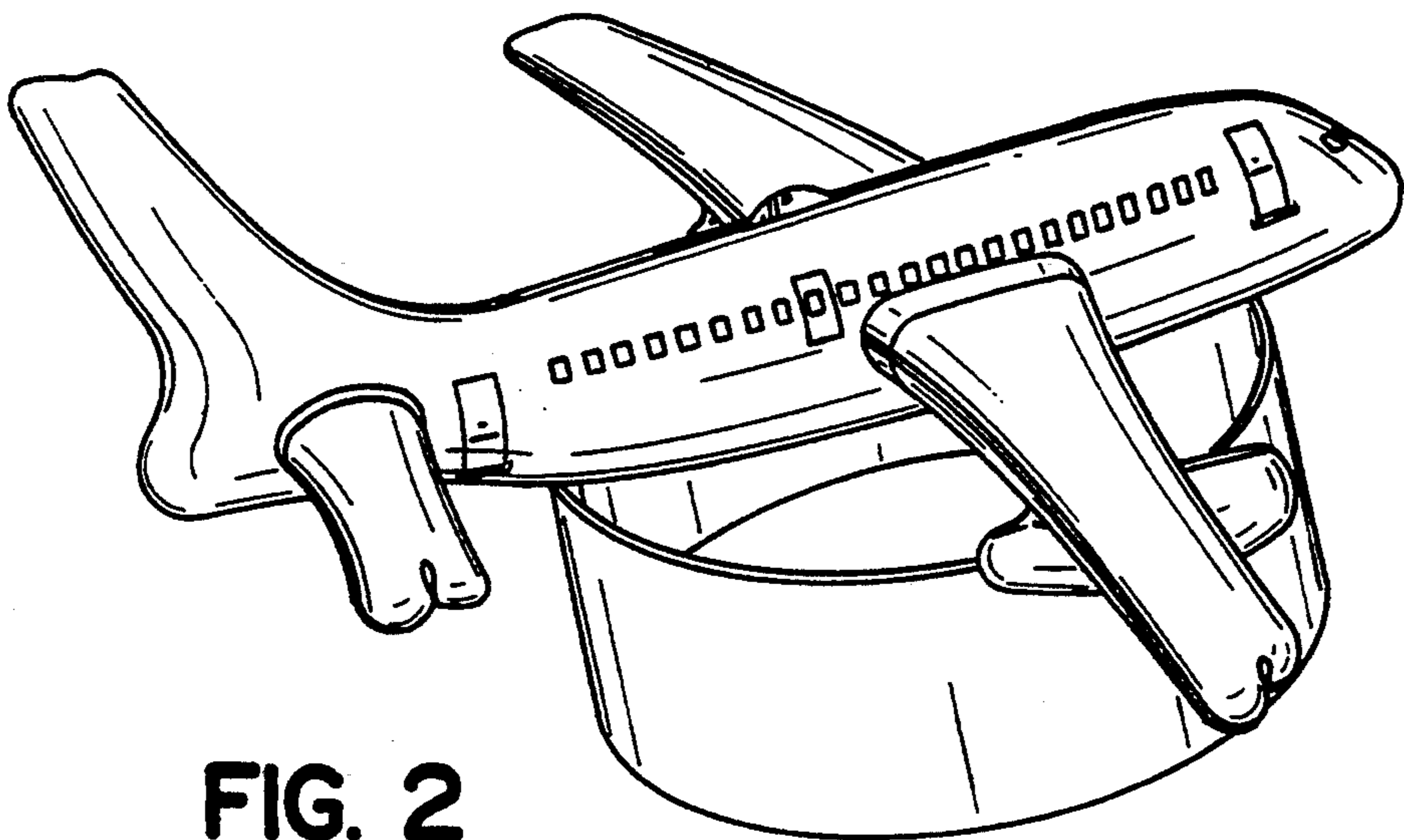


FIG. 2



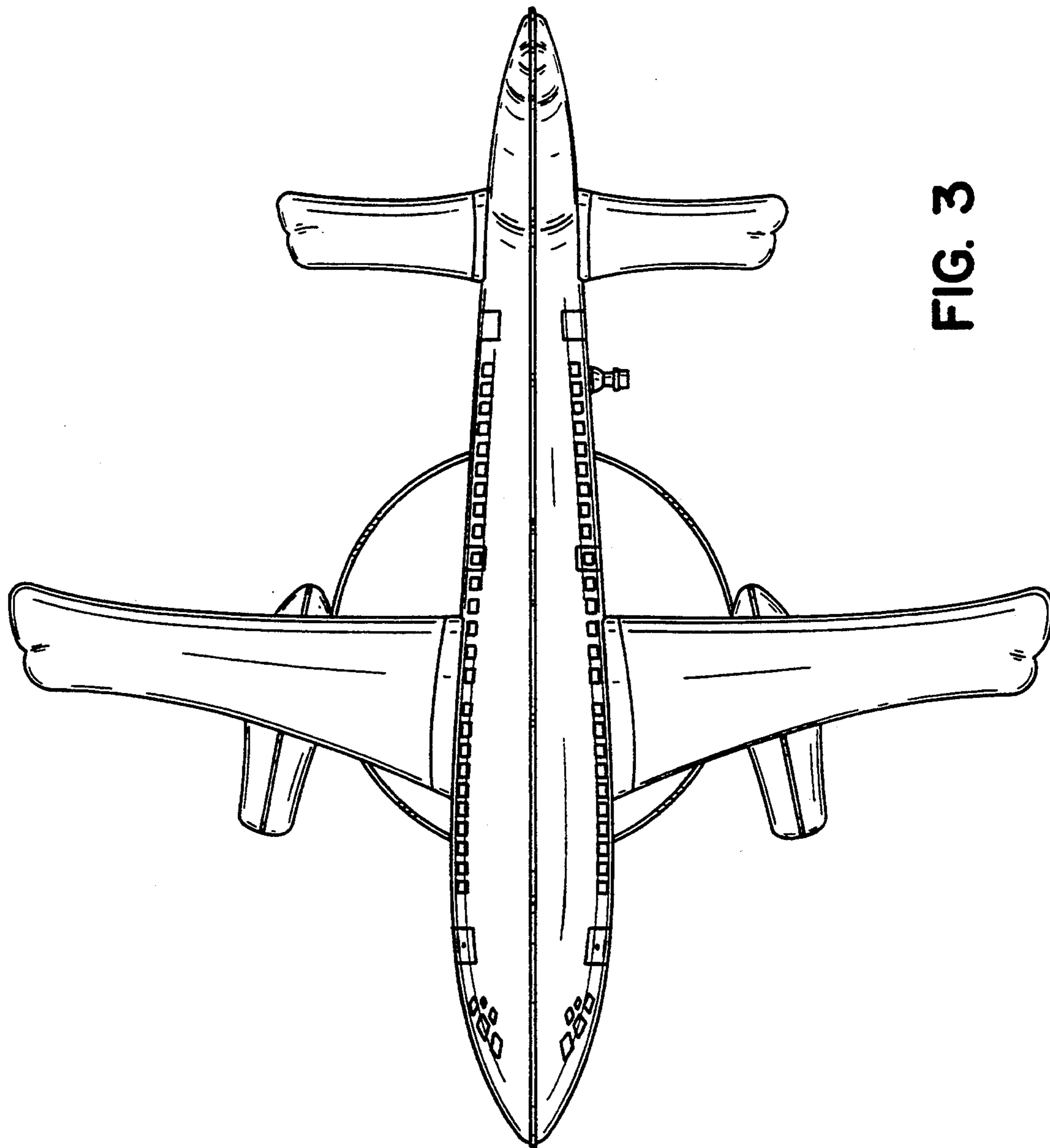


FIG. 3

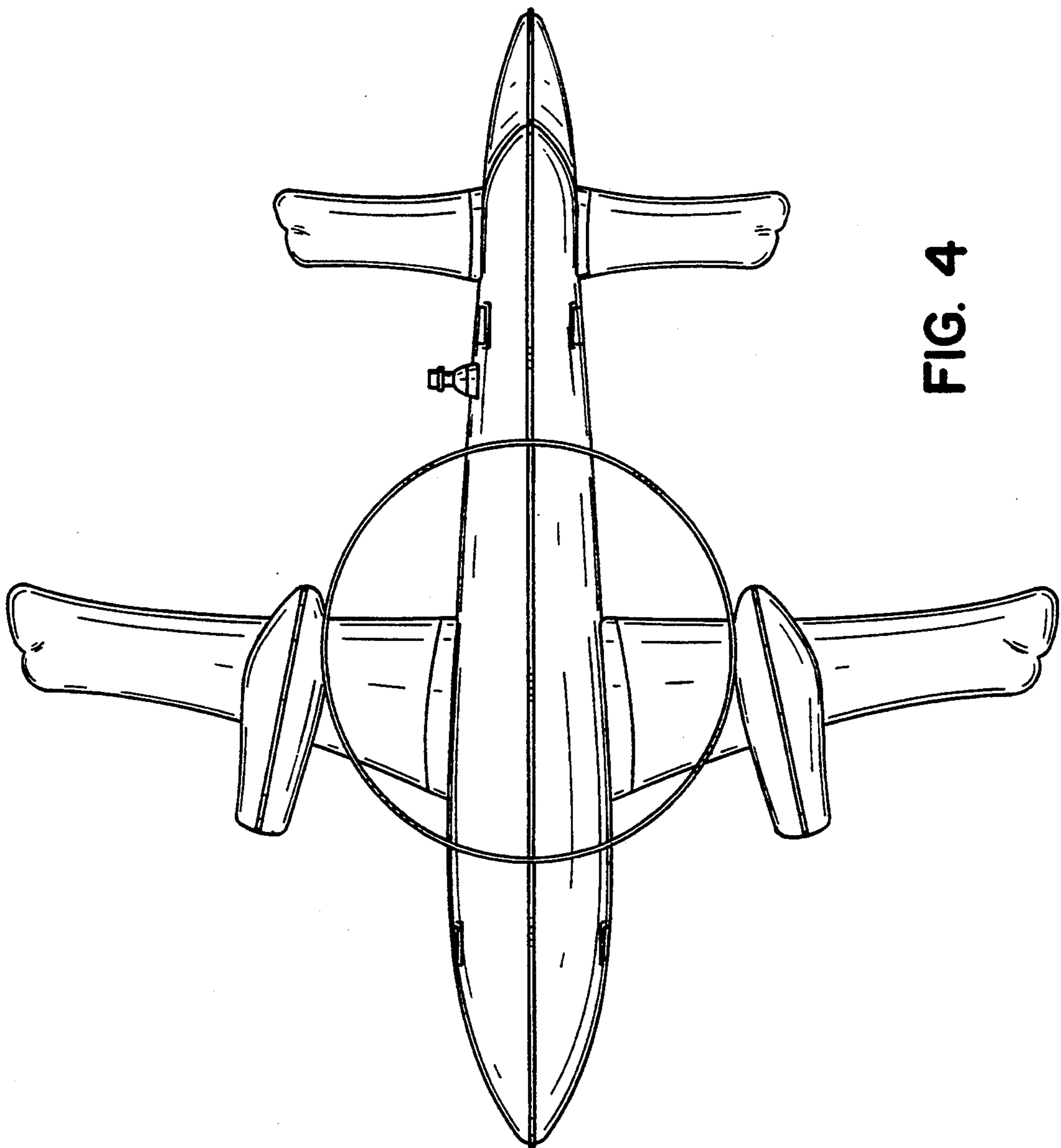


FIG. 4

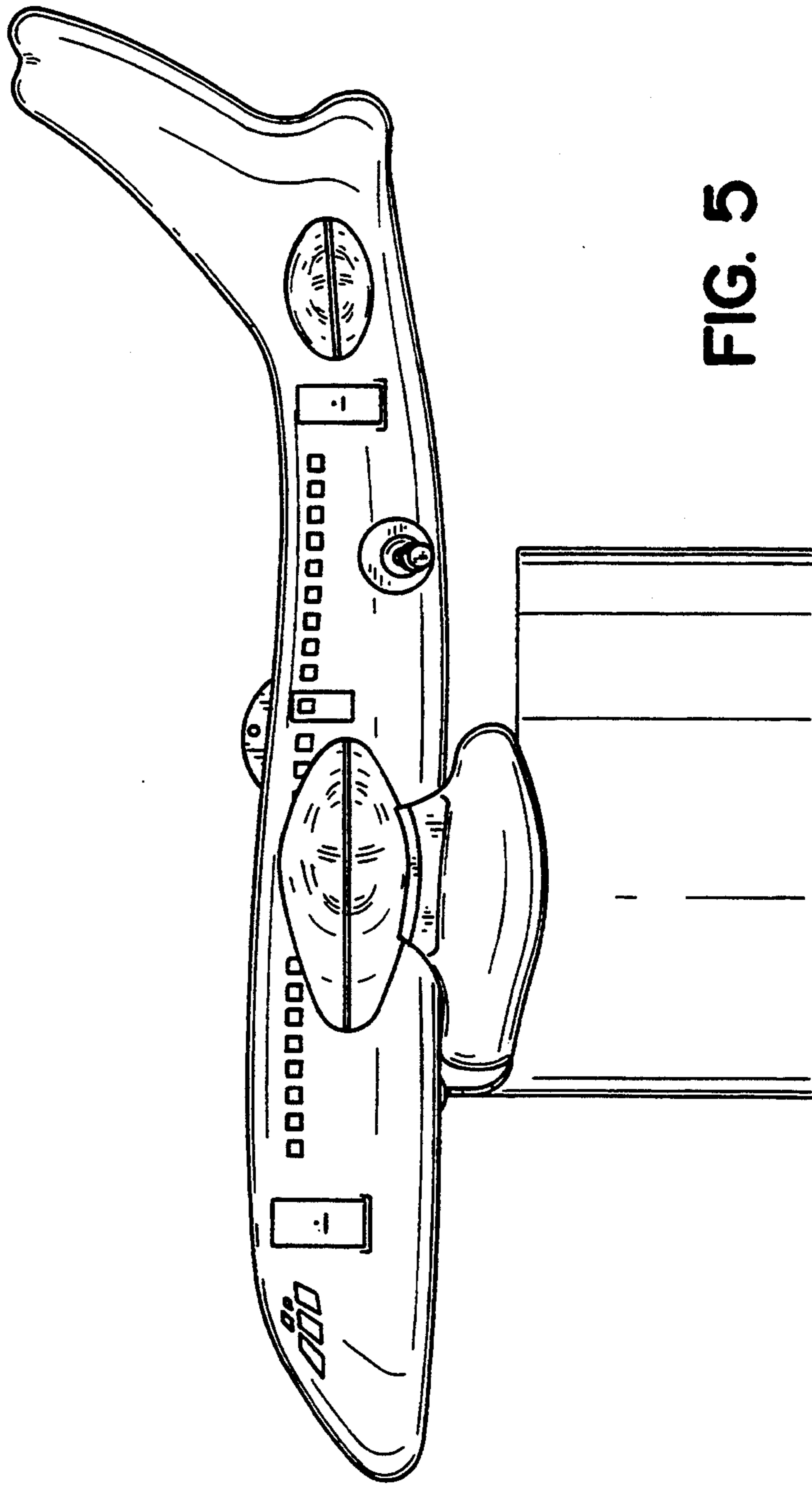


FIG. 5

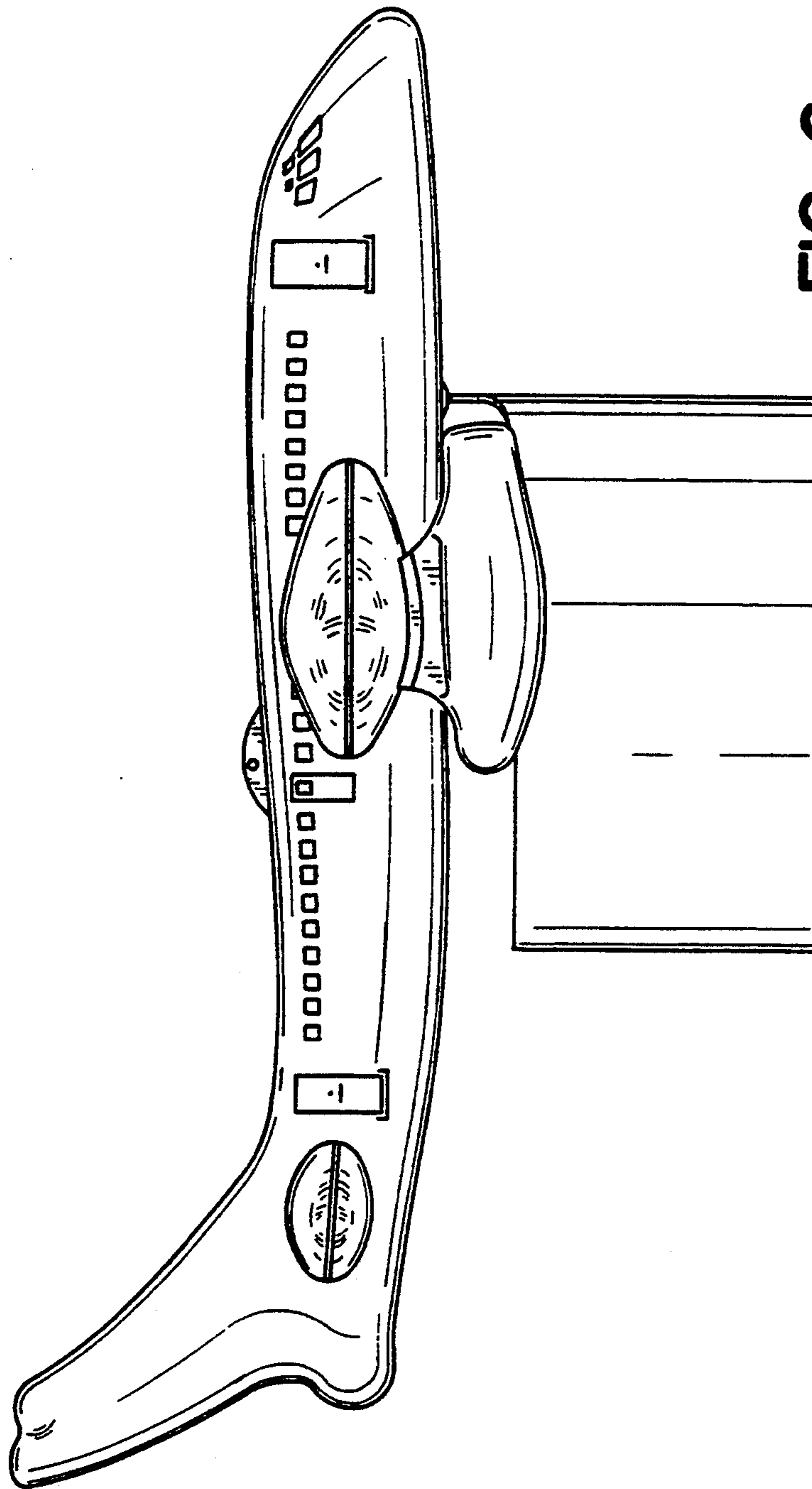


FIG. 6

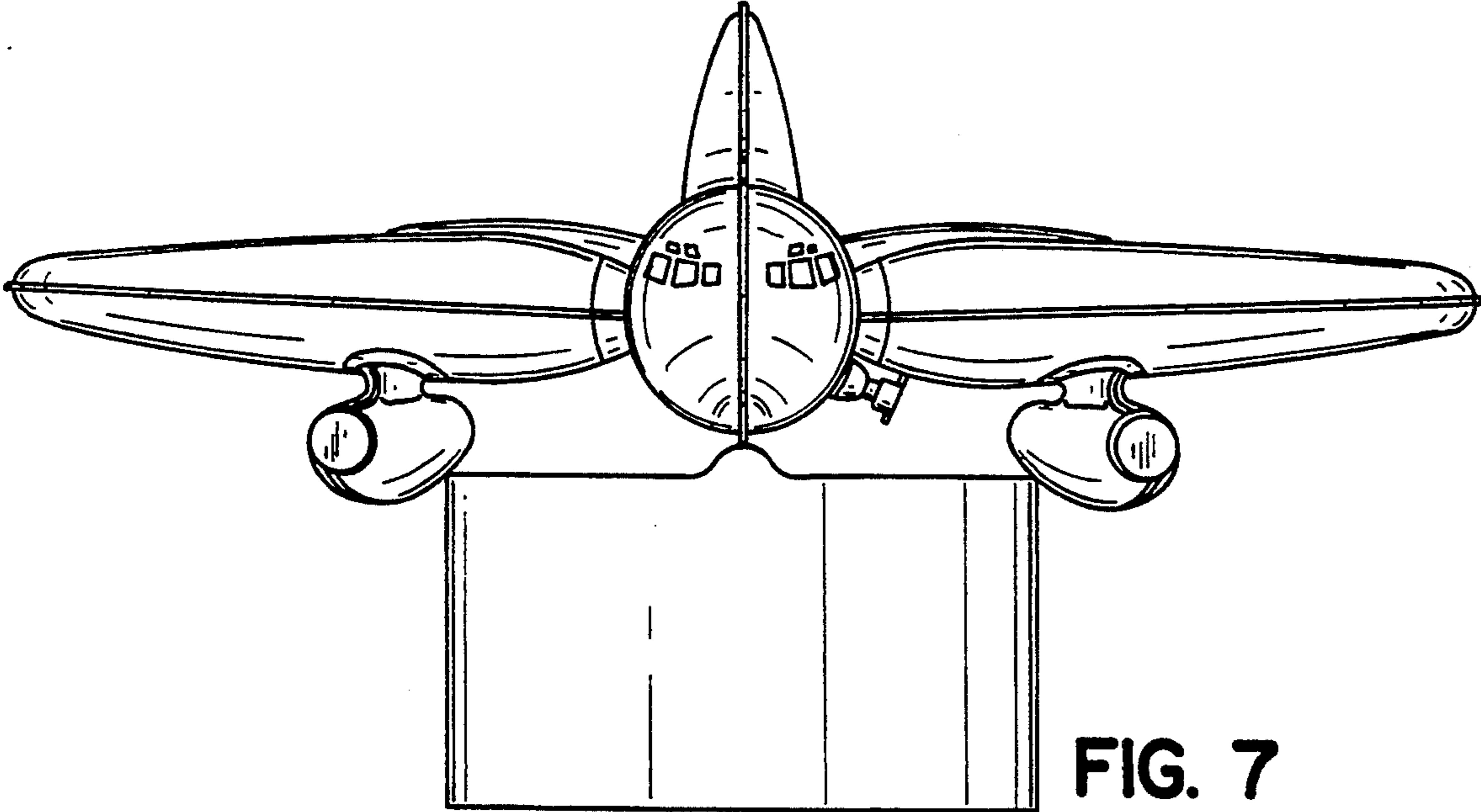


FIG. 7

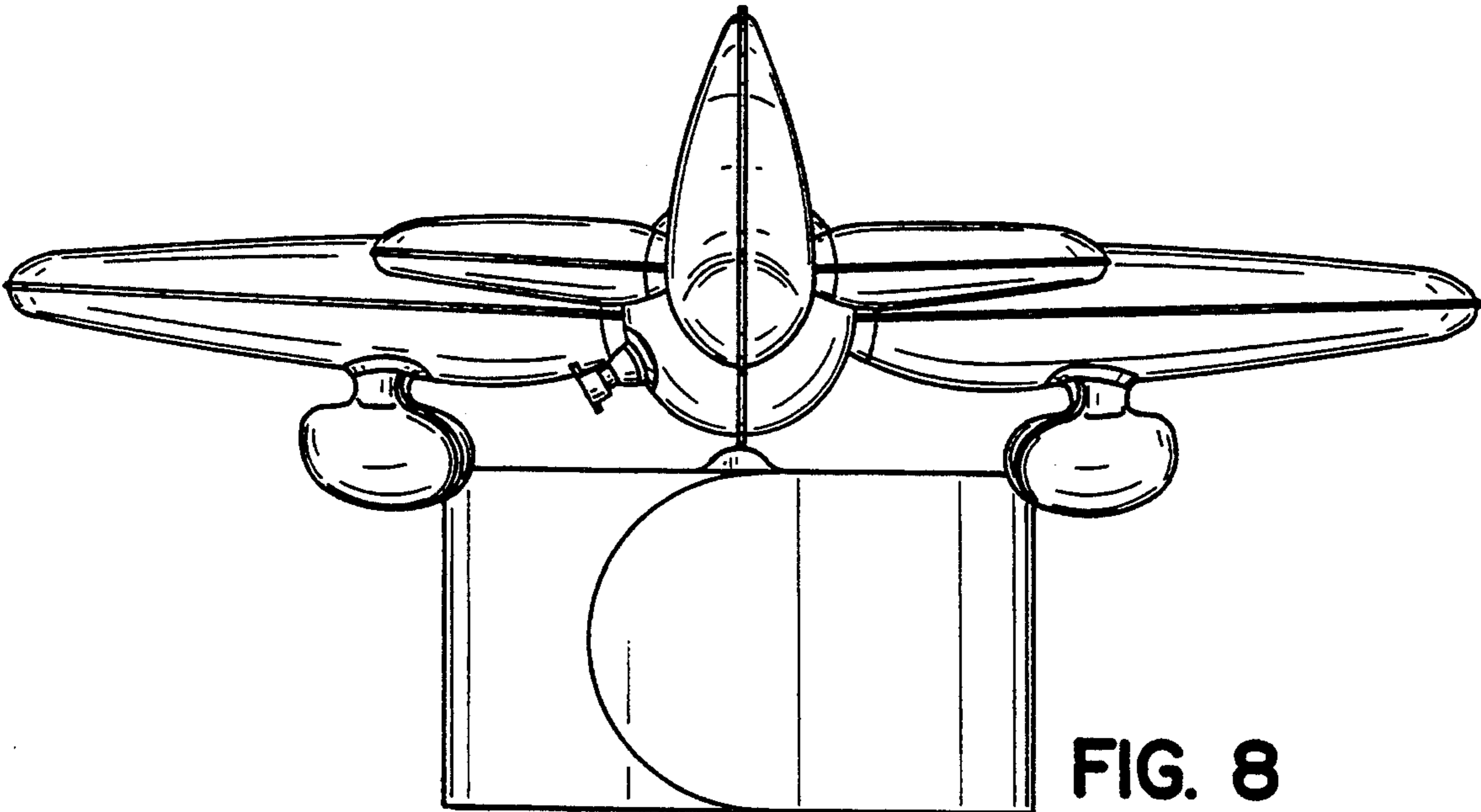


FIG. 8