



US00D354611S

United States Patent [19]

[11] Patent Number: Des. 354,611

Hazlett

[45] Date of Patent: ** Jan. 17, 1995

[54] MAIL BOX

[76] Inventor: Jack M. Hazlett, 93 South Rd., Farmington, Conn. 06032

[**] Term: 14 Years

[21] Appl. No.: 932,045

[22] Filed: Aug. 19, 1992

[52] U.S. Cl. D99/30

[58] Field of Search D99/29, 30, 31, 32; 232/7, 17, 24, 19

[56] References Cited

U.S. PATENT DOCUMENTS

- D. 167,928 10/1952 Coward, Jr. D99/33
- D. 248,676 7/1978 Eichacker et al. D99/33
- D. 296,602 7/1988 Klein D99/30
- D. 315,821 3/1991 Lorenzi D99/29
- 5,035,356 7/1991 Granger D99/30 X

Primary Examiner—Alan P. Douglas
Assistant Examiner—Jeff Musgrove
Attorney, Agent, or Firm—Timothy F. Mills

[57] CLAIM

The ornamental design for a mail box, as shown and described.

DESCRIPTION

FIG. 1 is a perspective view of the first embodiment of a mail box, showing my new design with translucent sides and ends;

FIG. 2 is a perspective view of the first embodiment showing both ends open and the flag lowered;

FIG. 3 is a rear elevational view of the first embodiment;

FIG. 4 is a front elevational view of the first embodiment;

FIG. 5 is a right side elevational view of the first embodiment;

FIG. 6 is a left side elevational view of the first embodiment;

FIG. 7 is a top plan view of the first embodiment;

FIG. 8 is a bottom plan view of the first embodiment;

FIG. 9 is a perspective of a second embodiment of a mail box showing a shingled roof;

FIG. 10 is a perspective view of a third embodiment of a mail box showing the addition of a chimney;

FIG. 11 is a front elevational view of the third embodiment;

FIG. 12 is a rear elevational view of the third embodiment;

FIG. 13 is a right side elevational view of the third embodiment;

FIG. 14 is a left side elevational view of the third embodiment;

FIG. 15 is a top plan view of the third embodiment;

FIG. 16 is a bottom plan view of the third embodiment;

FIG. 17 is a perspective view of a fourth embodiment of a mail box showing the addition of a geometric pattern in plane with the translucent surfaces;

FIG. 18 is a front elevational view of the fourth embodiment;

FIG. 19 is a rear elevational view of the fourth embodiment;

FIG. 20 is a right side elevational view of the fourth embodiment;

FIG. 21 is a left side elevational view of the fourth embodiment;

FIG. 22 is a top plan view of the fourth embodiment;

FIG. 23 is a bottom plan view of the fourth embodiment;

FIG. 24 is a perspective view of a fifth embodiment of a mail box showing a gambrel roof;

FIG. 25 is a front elevational view of the fifth embodiment;

FIG. 26 is a rear elevational view of the fifth embodiment;

FIG. 27 is a right side elevational view of the fifth embodiment;

FIG. 28 is a left side elevational view of the fifth embodiment;

FIG. 29 is a top plan view of the fifth embodiment;

FIG. 30 is a bottom plan view of the fifth embodiment;

FIG. 31 is a perspective view of a sixth embodiment of a mail box showing a hip roof;

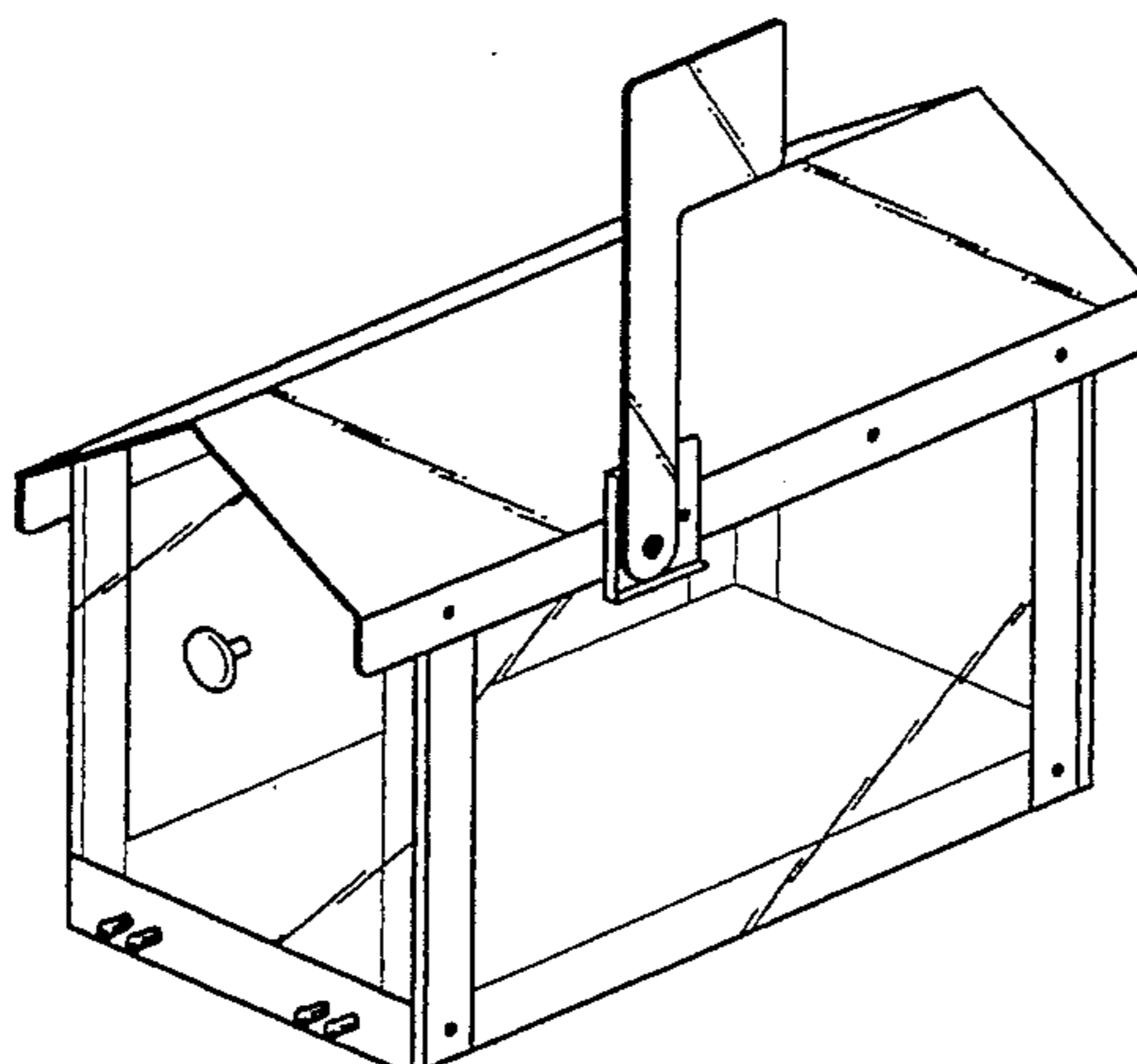
FIG. 32 is a front elevational view of the sixth embodiment;

FIG. 33 is a rear elevational view of the sixth embodiment;

FIG. 34 is a right side elevational view of the sixth embodiment;

FIG. 35 is a left side elevational view of the sixth embodiment;

FIG. 36 is a top plan view of the sixth embodiment; and, FIG. 37 is a bottom plan view of the sixth embodiment.



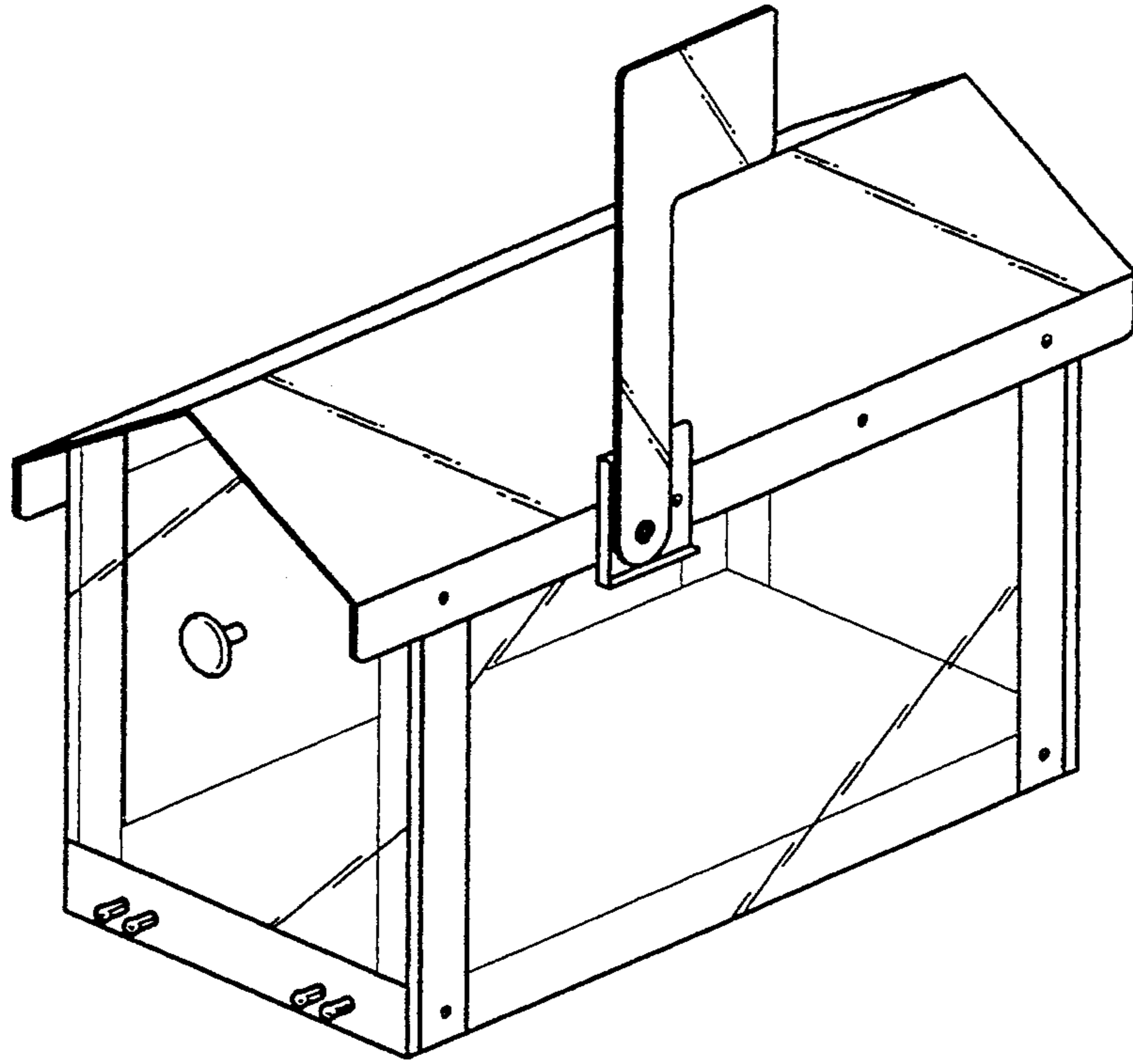


Fig. 1

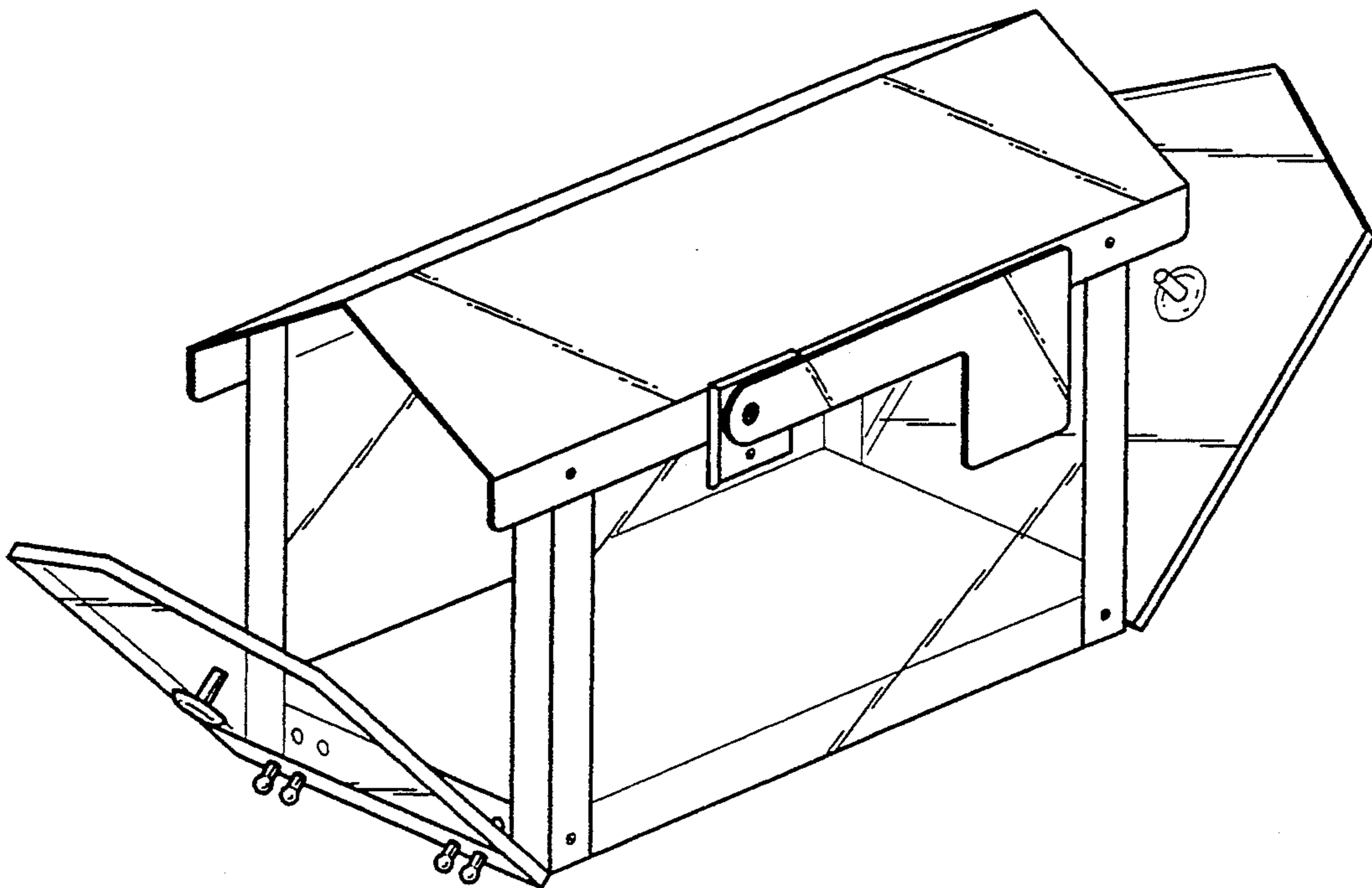


Fig. 2

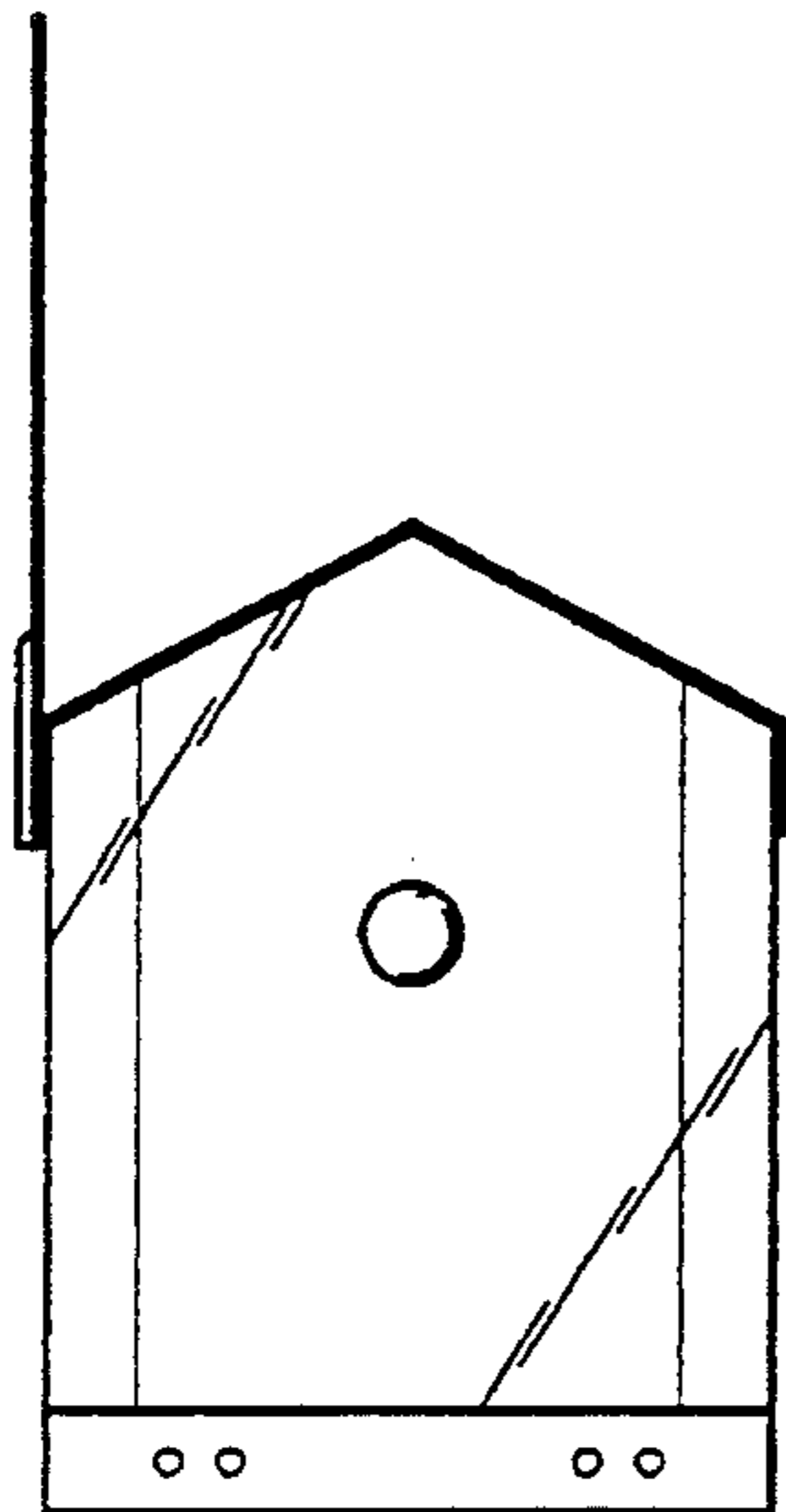


Fig. 3

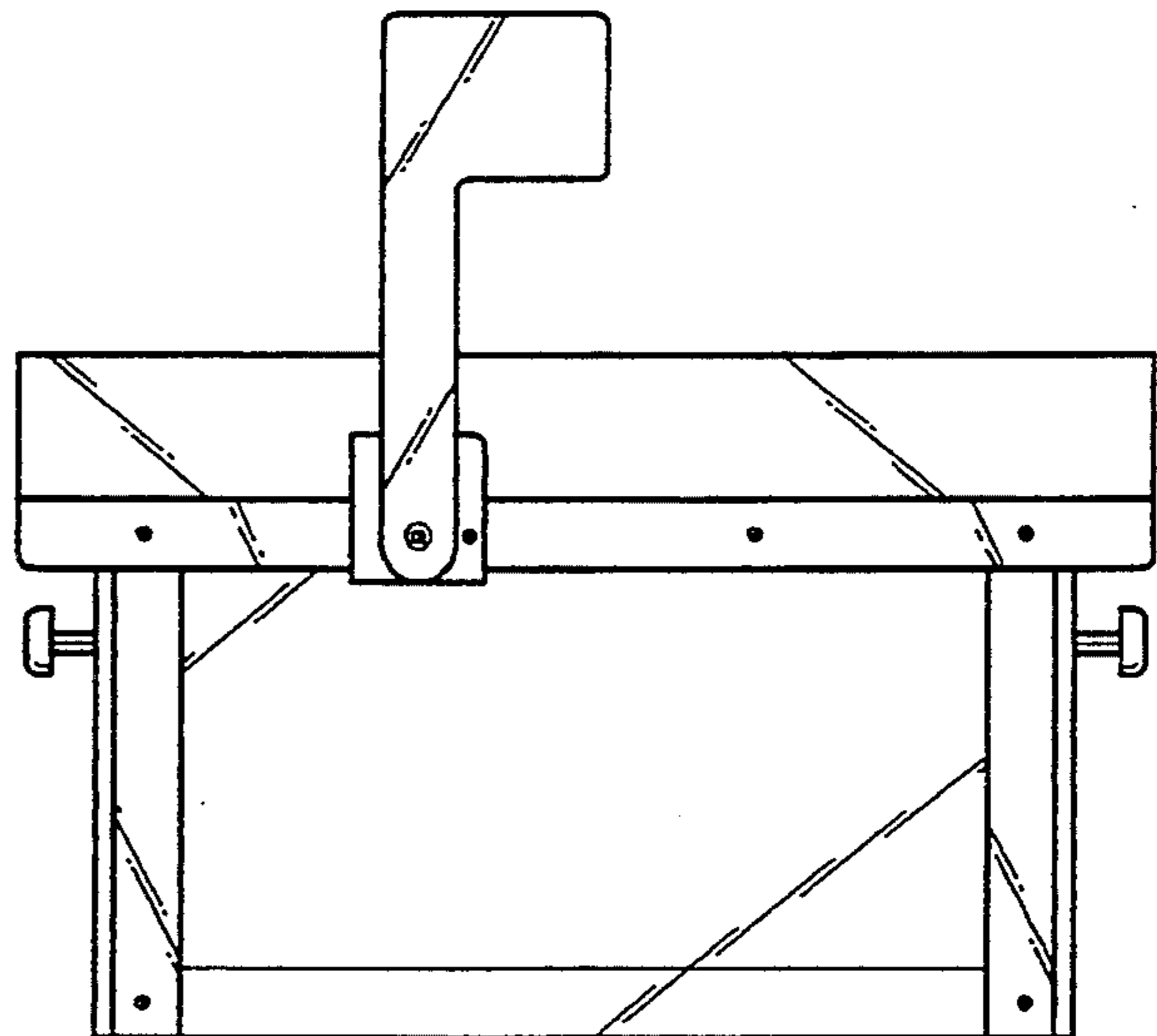


Fig. 5

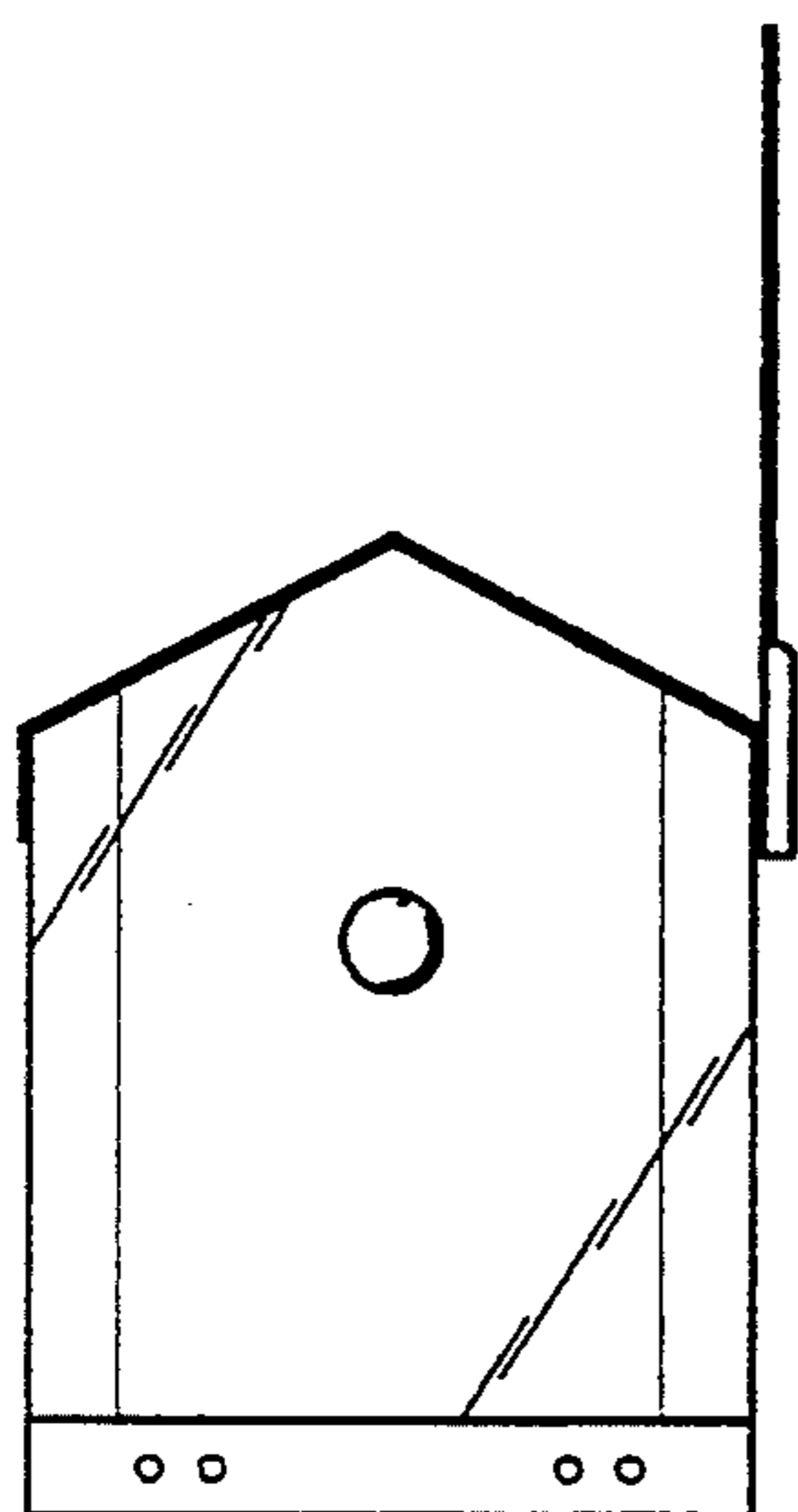


Fig. 4

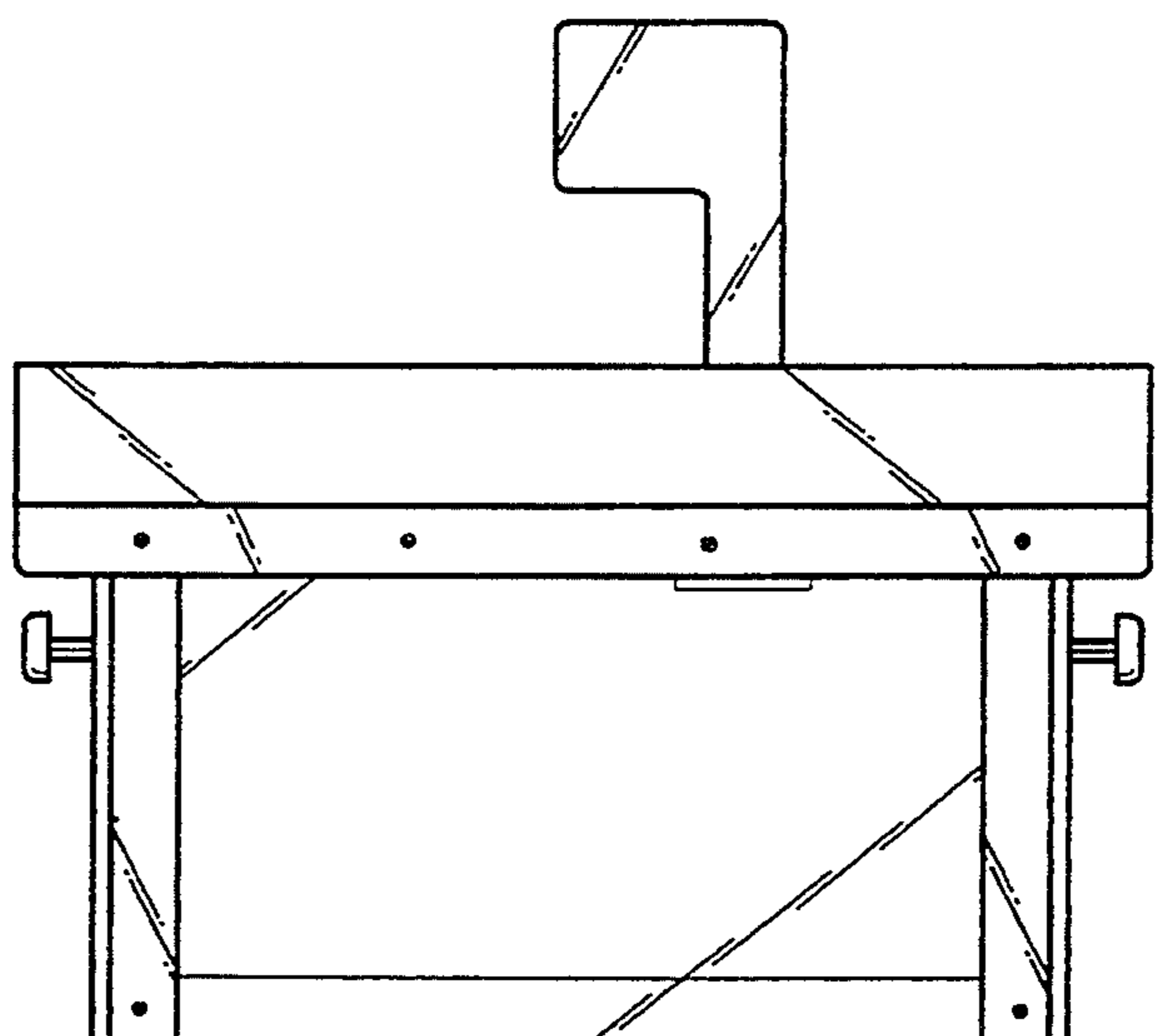


Fig. 6

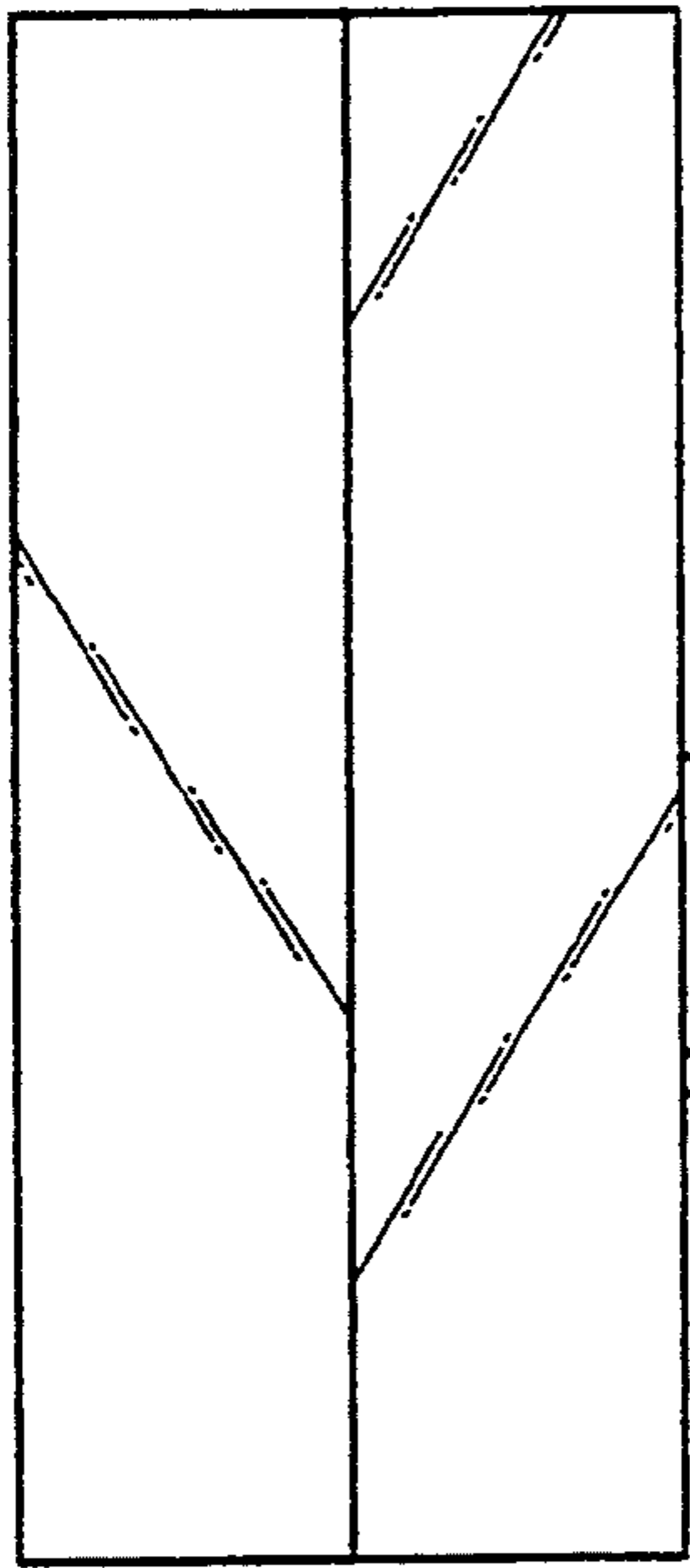


Fig. 7

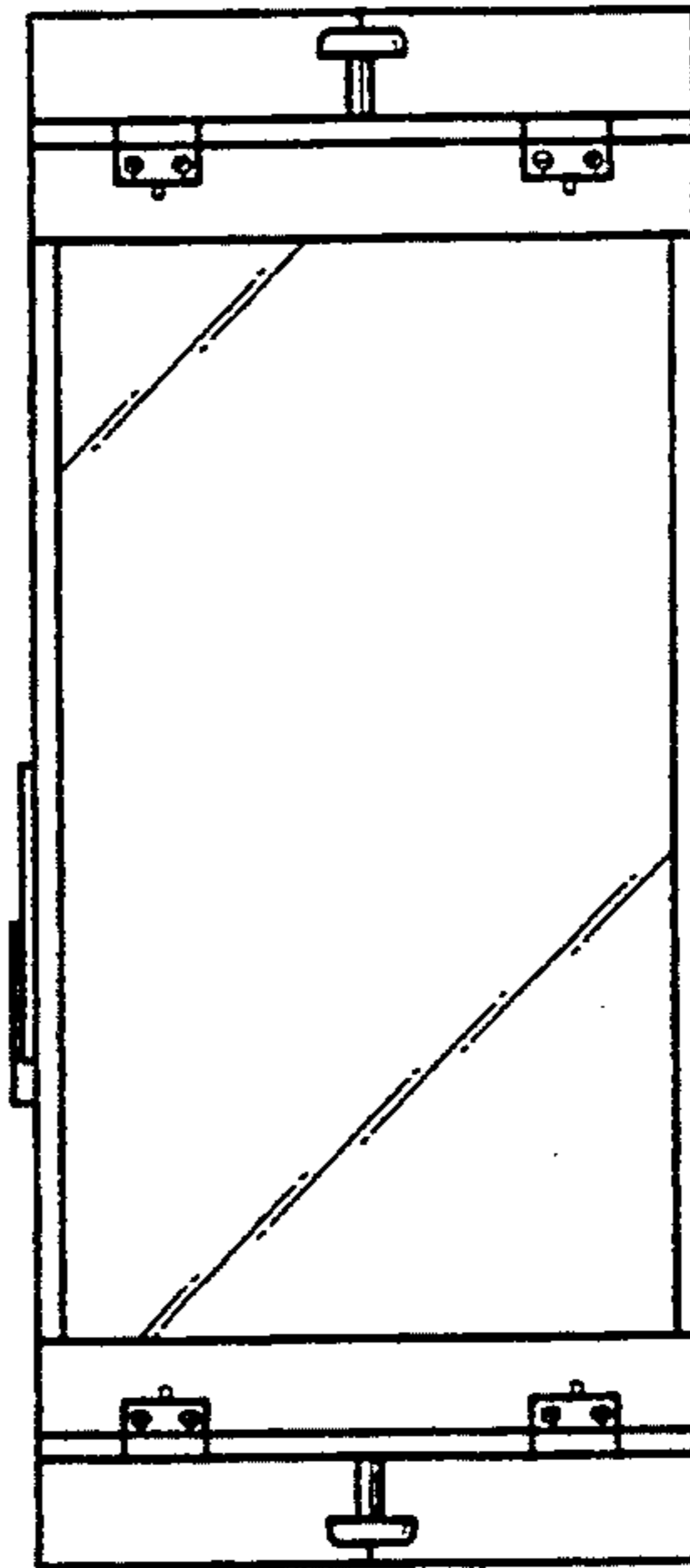


Fig. 8

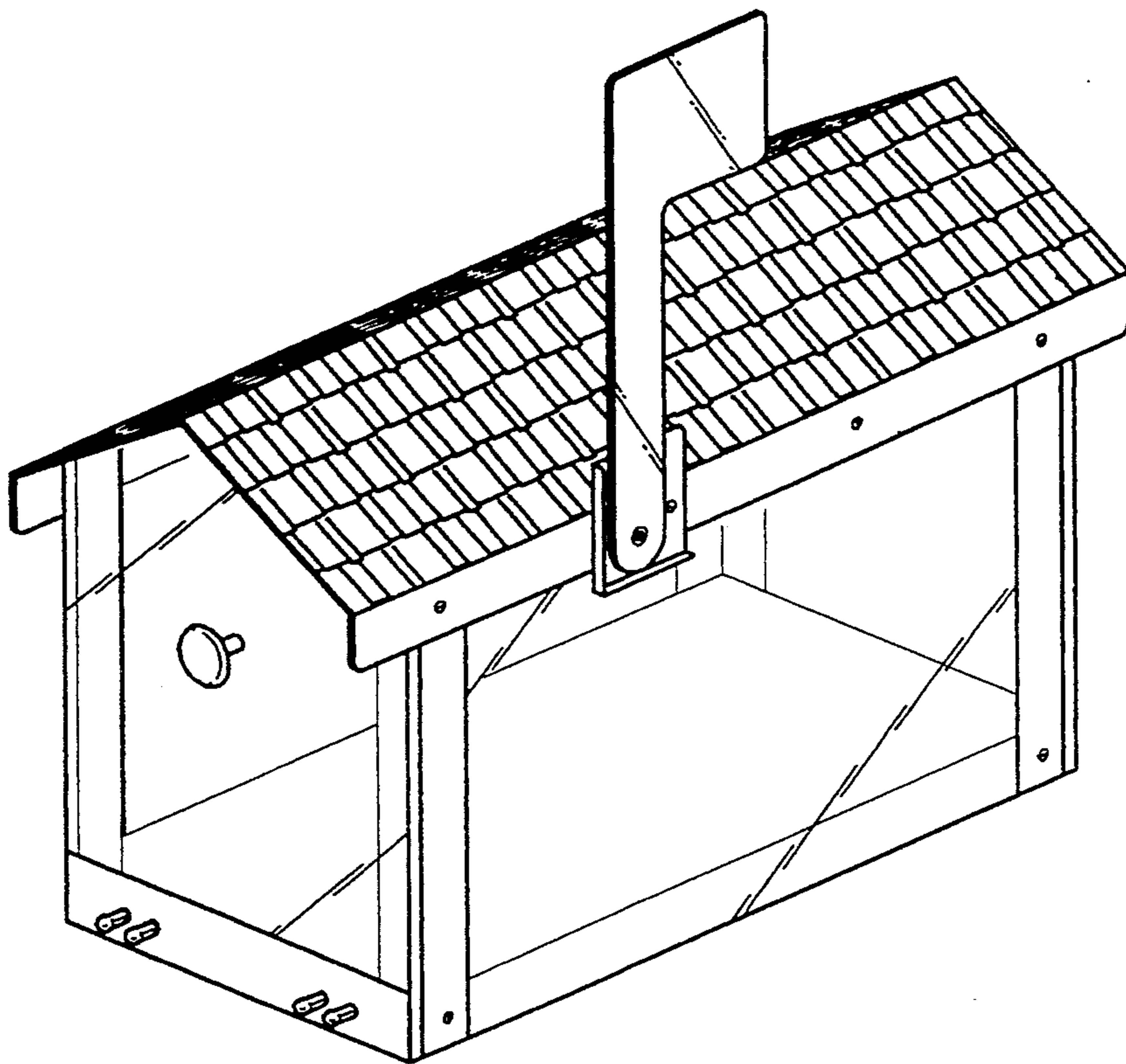


Fig. 9

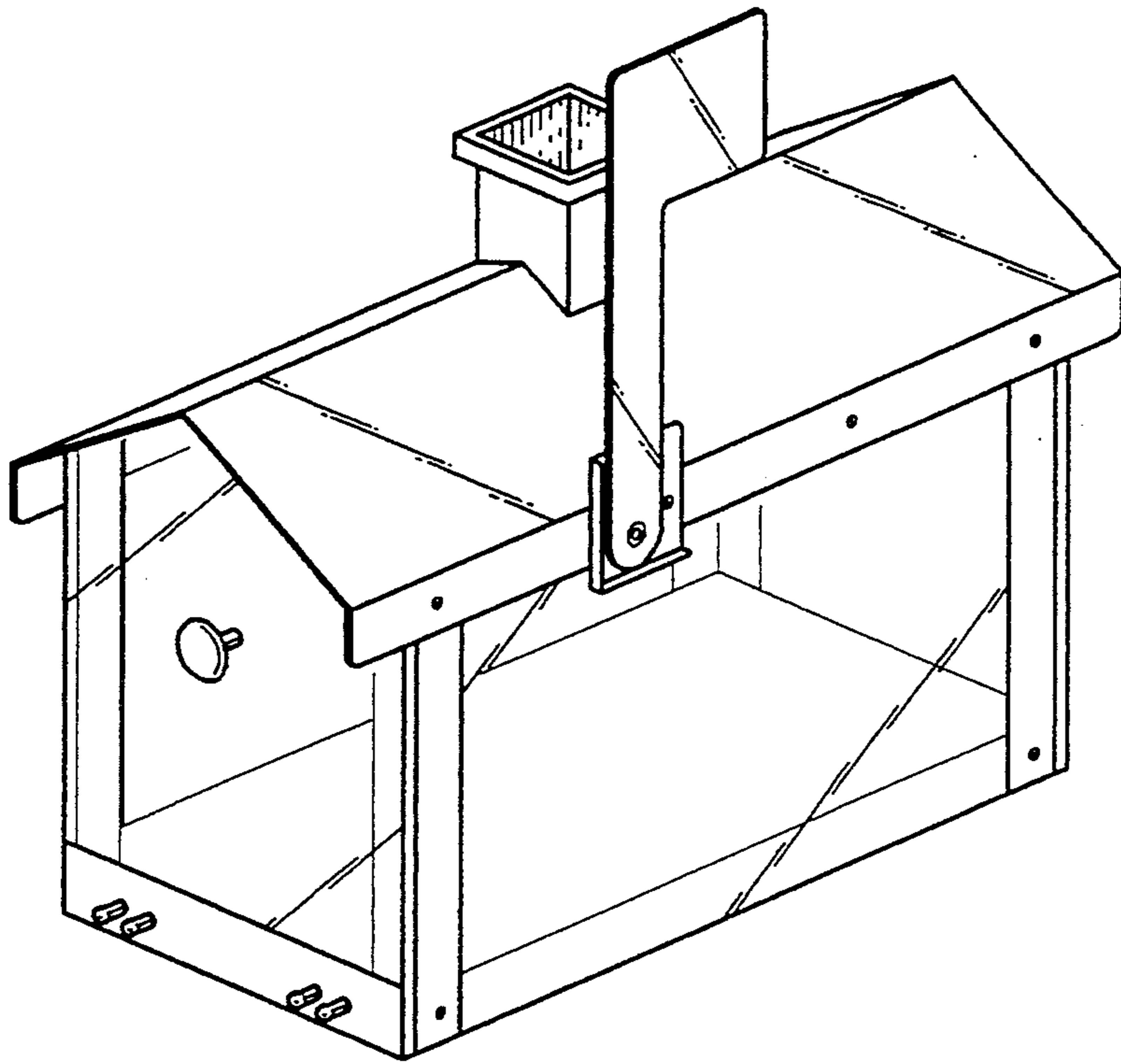


Fig. 10

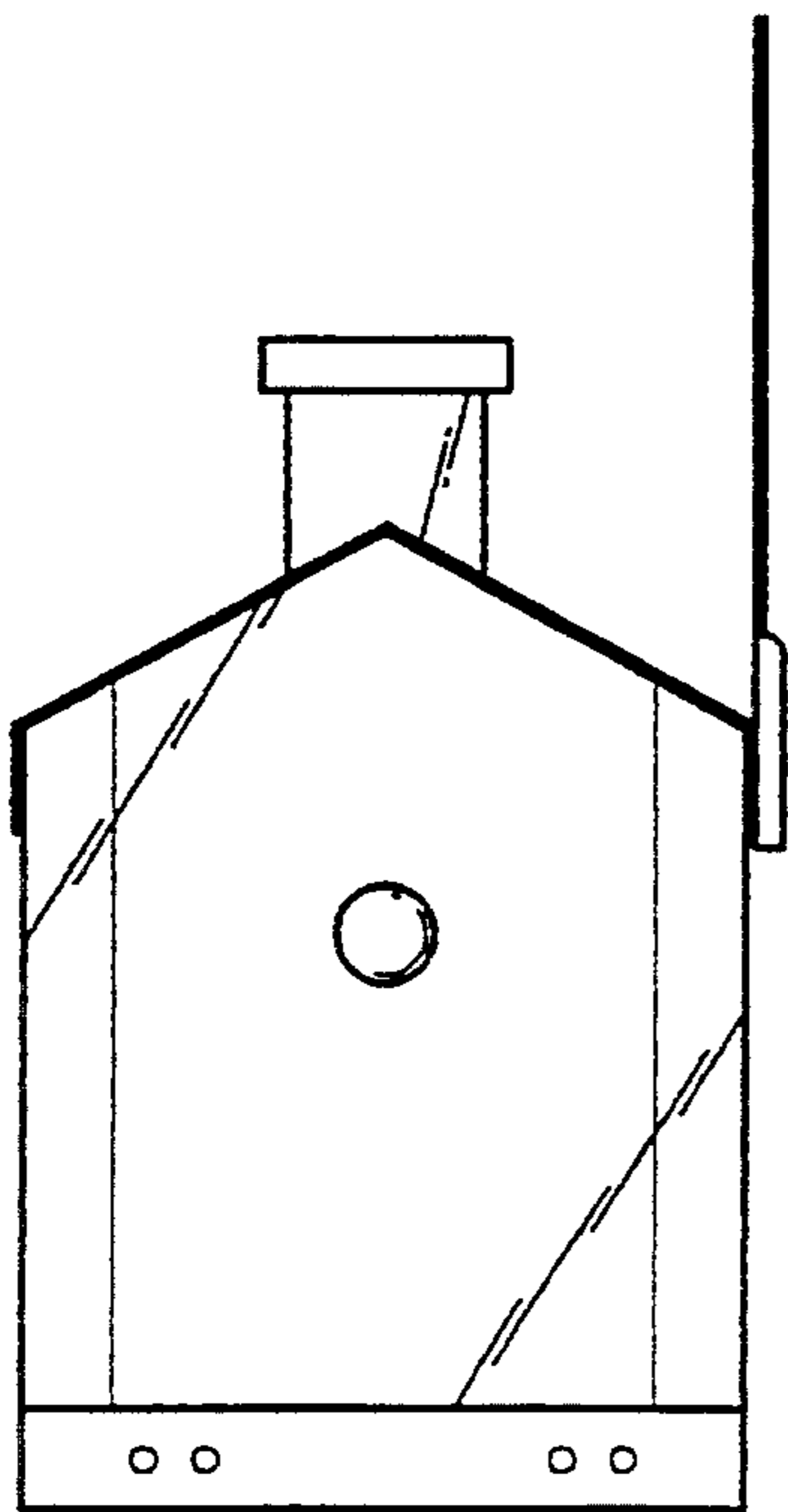


Fig. 11

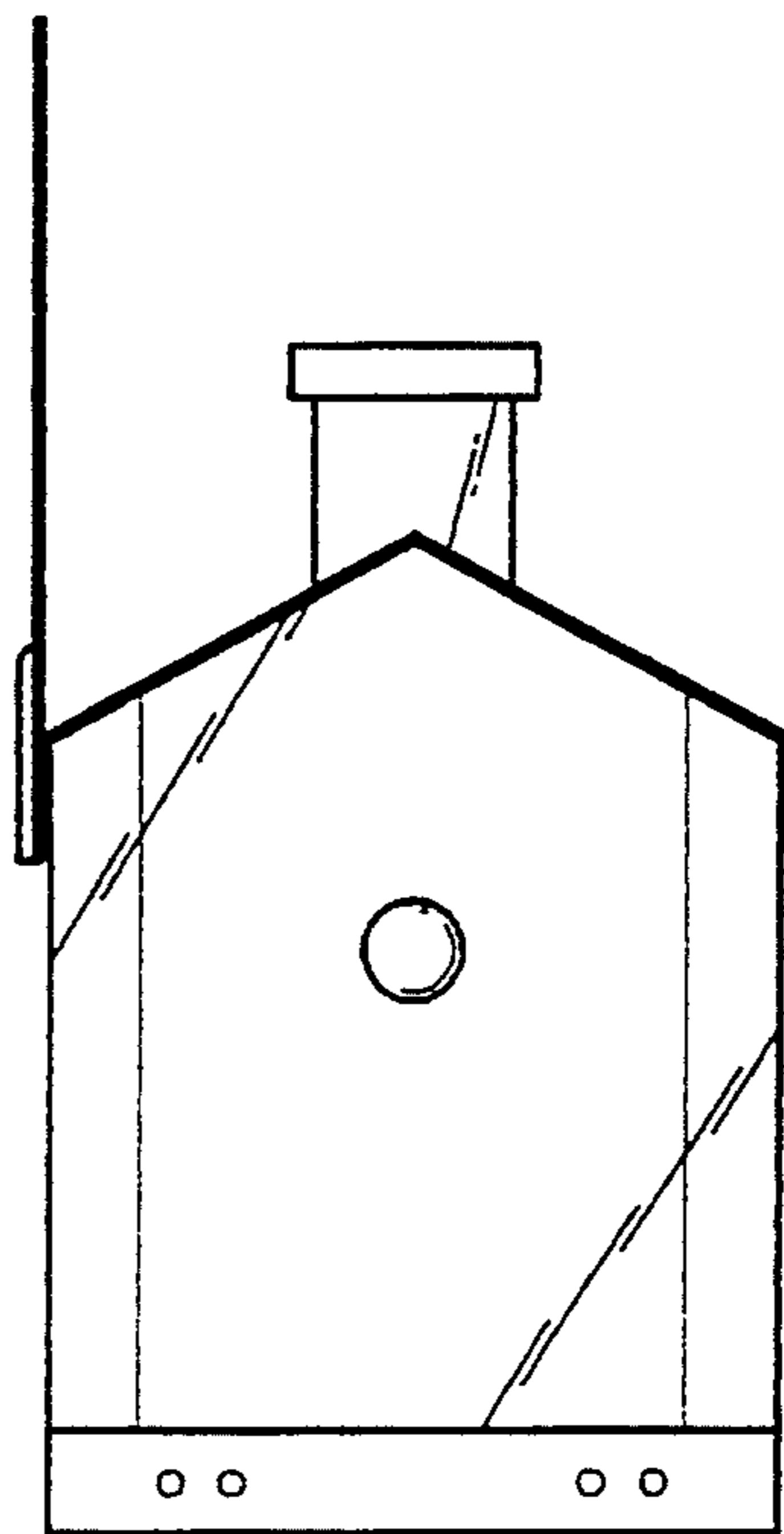


Fig. 12

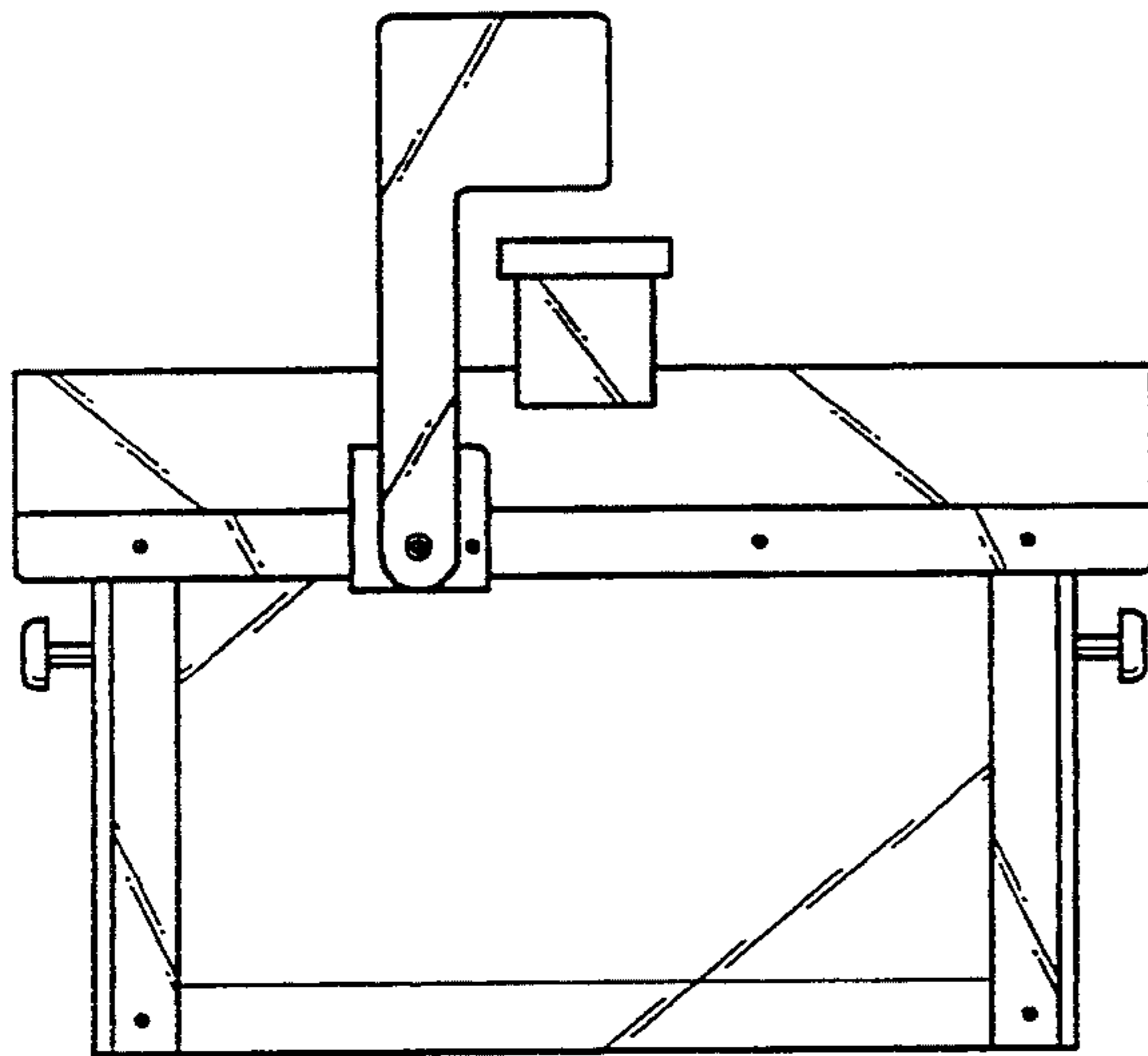


Fig. 13

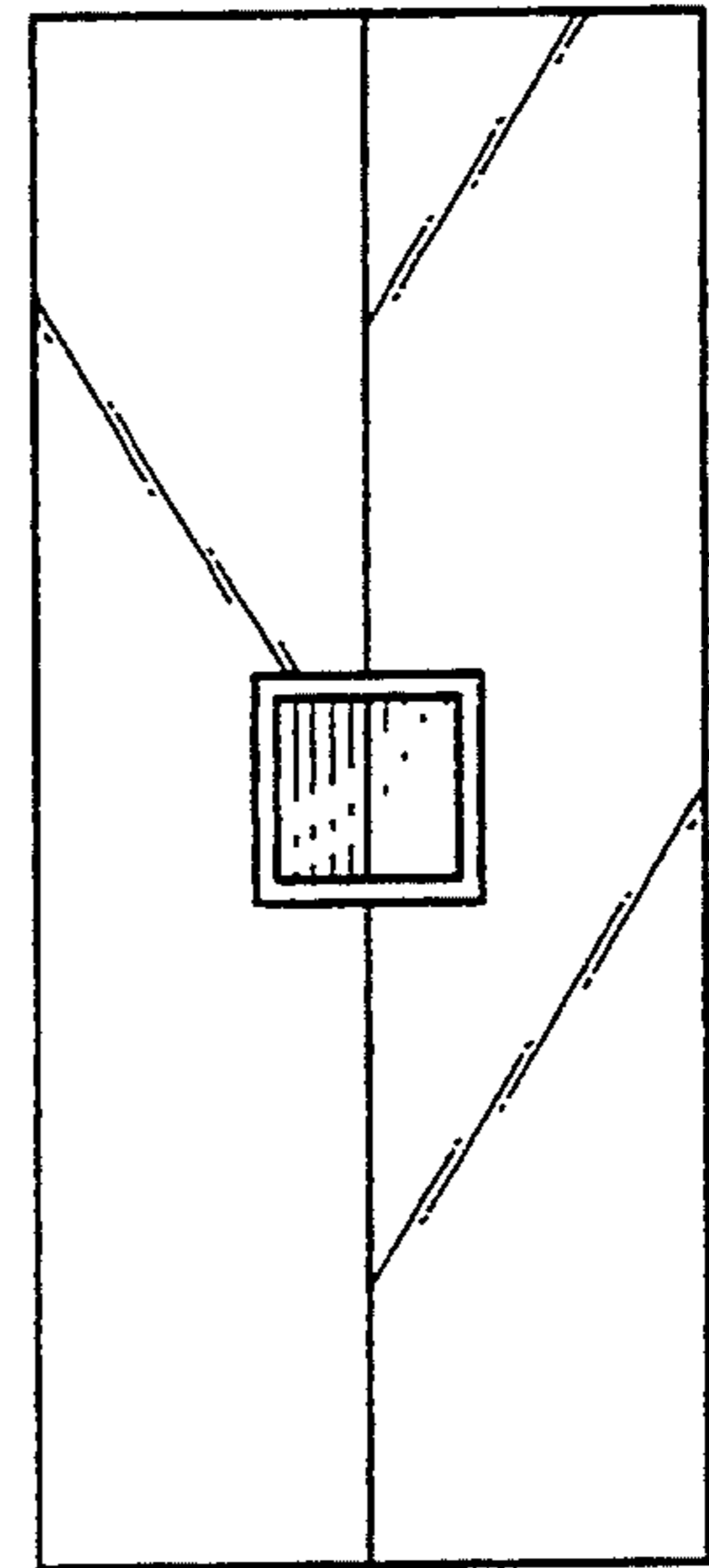


Fig. 15

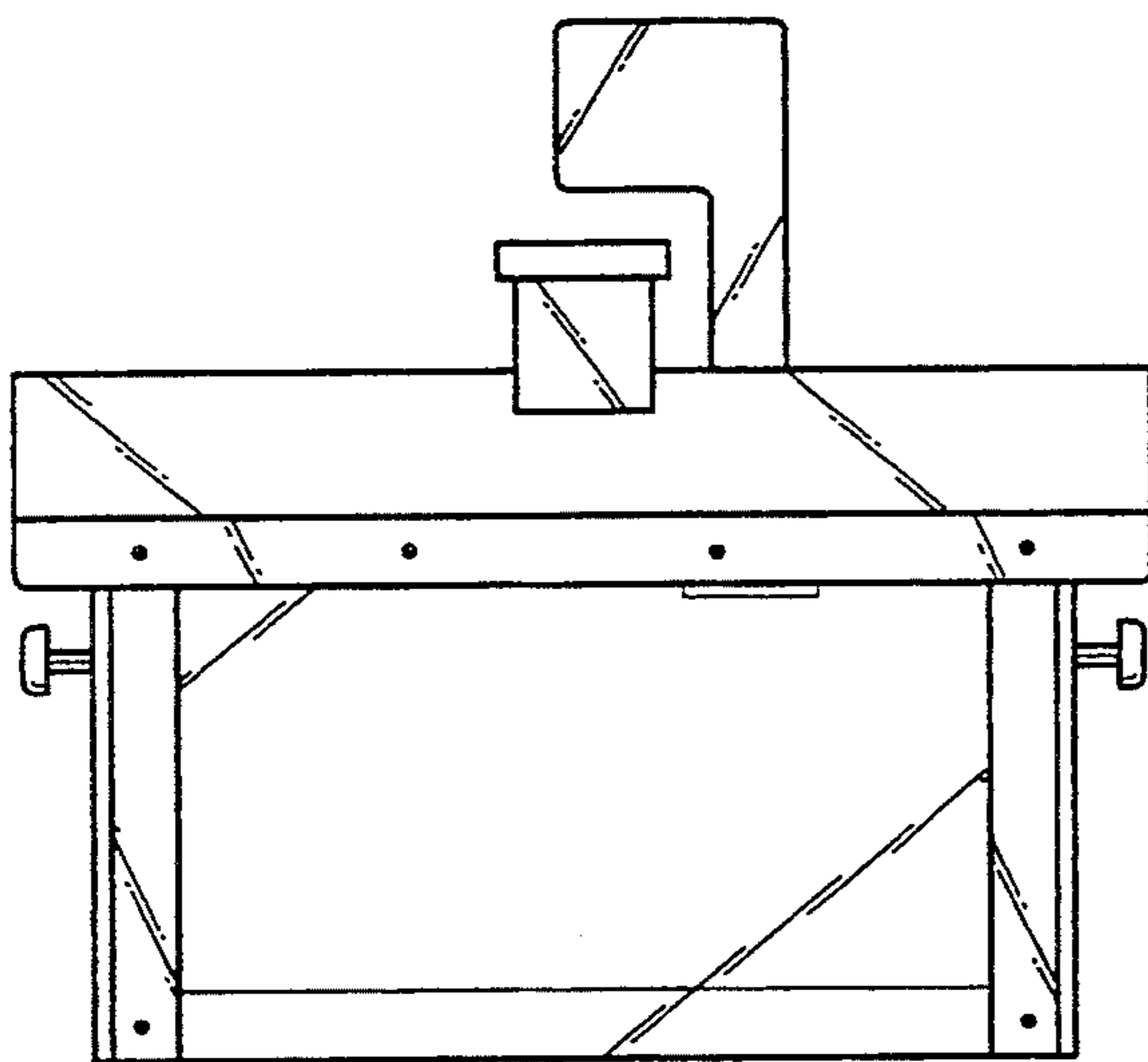


Fig. 14

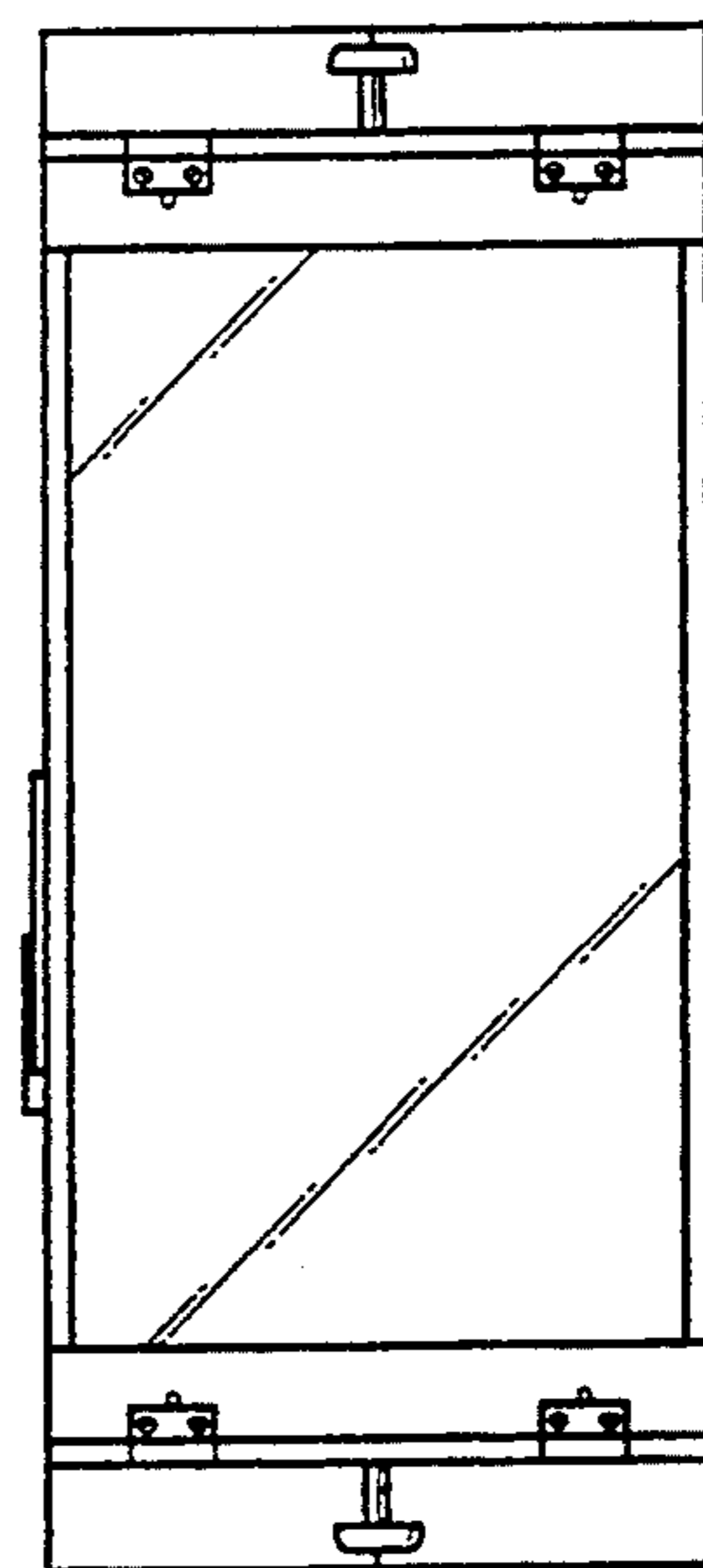


Fig. 16

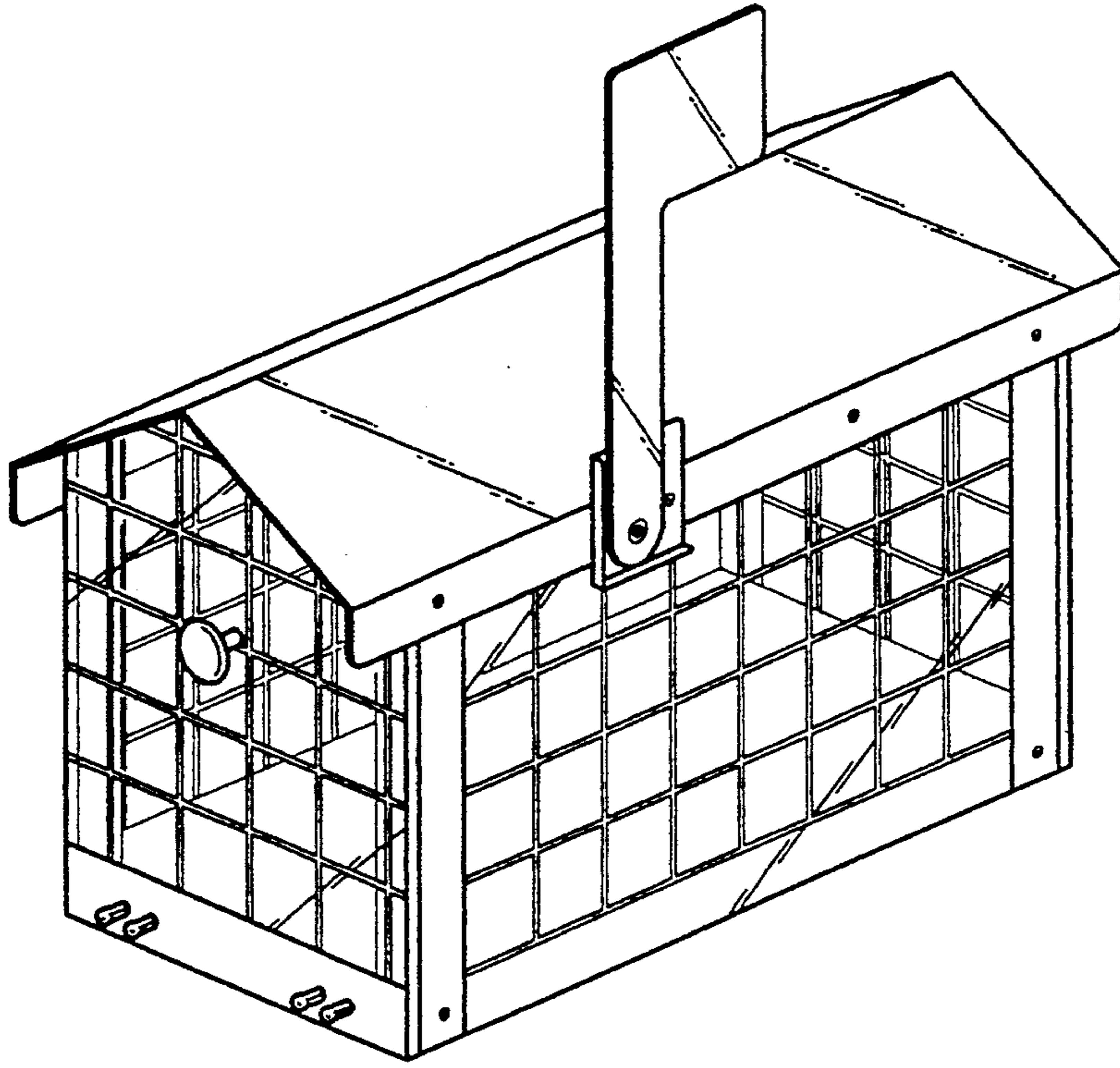


Fig. 17

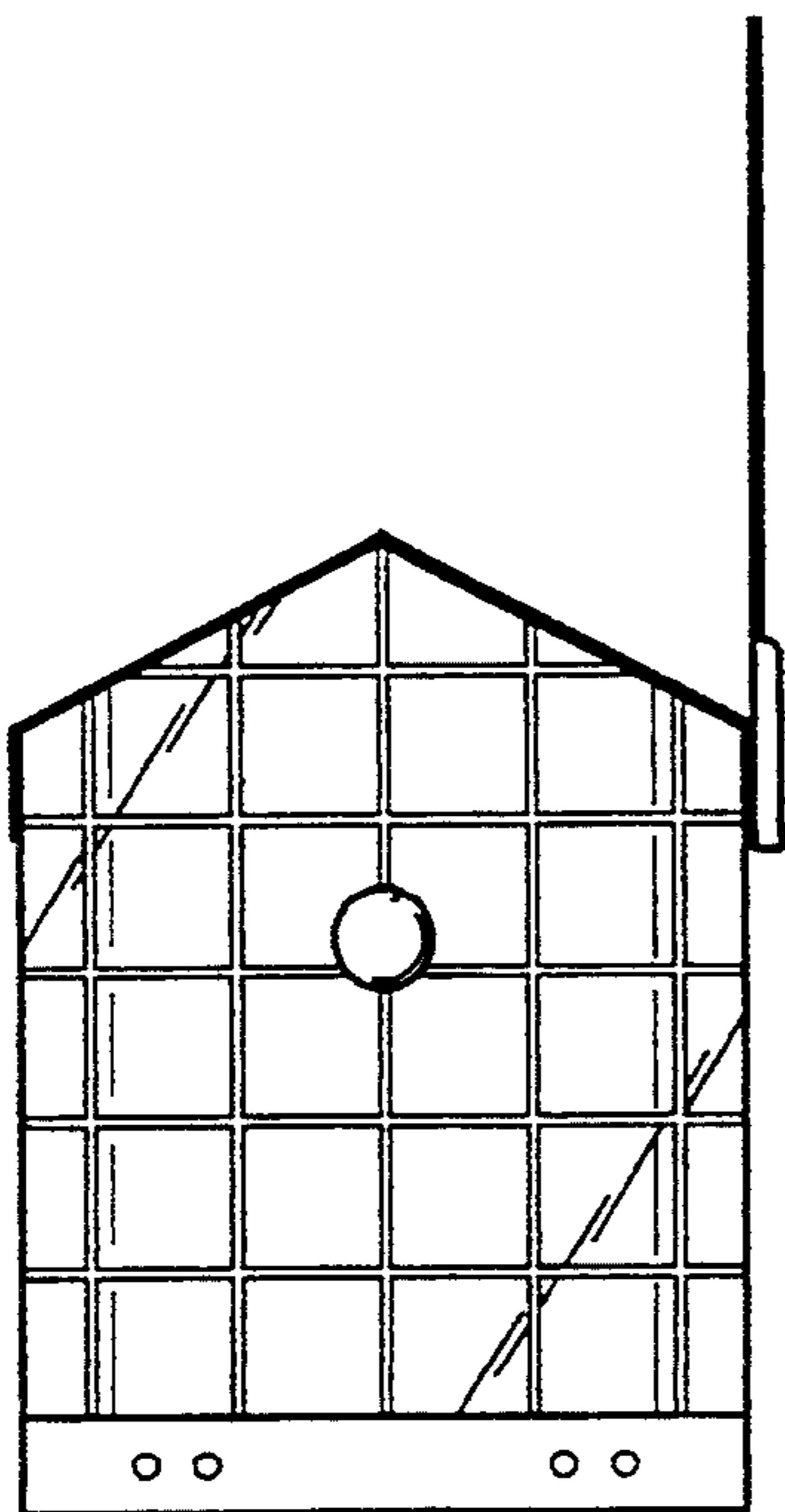


Fig. 18

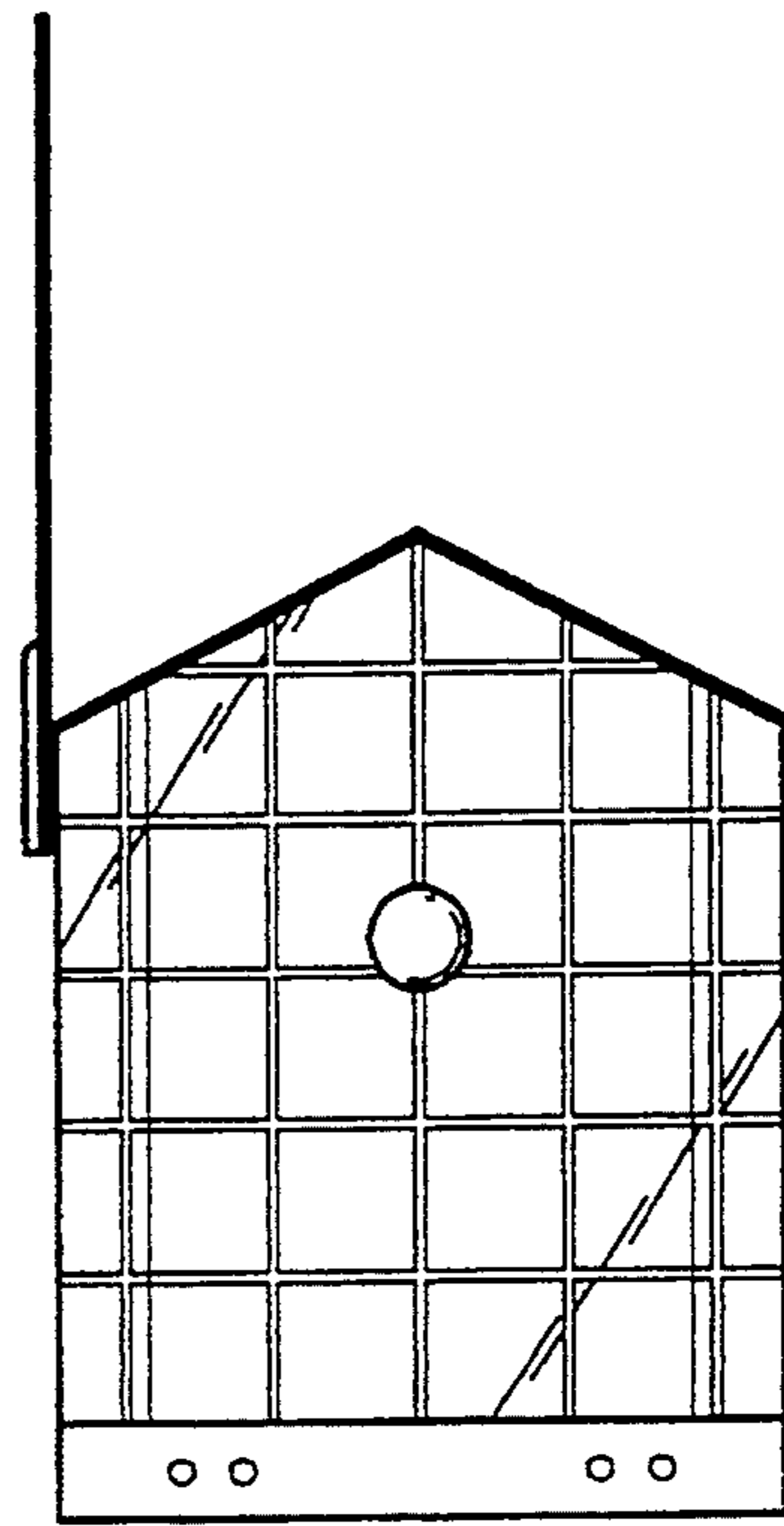


Fig. 19

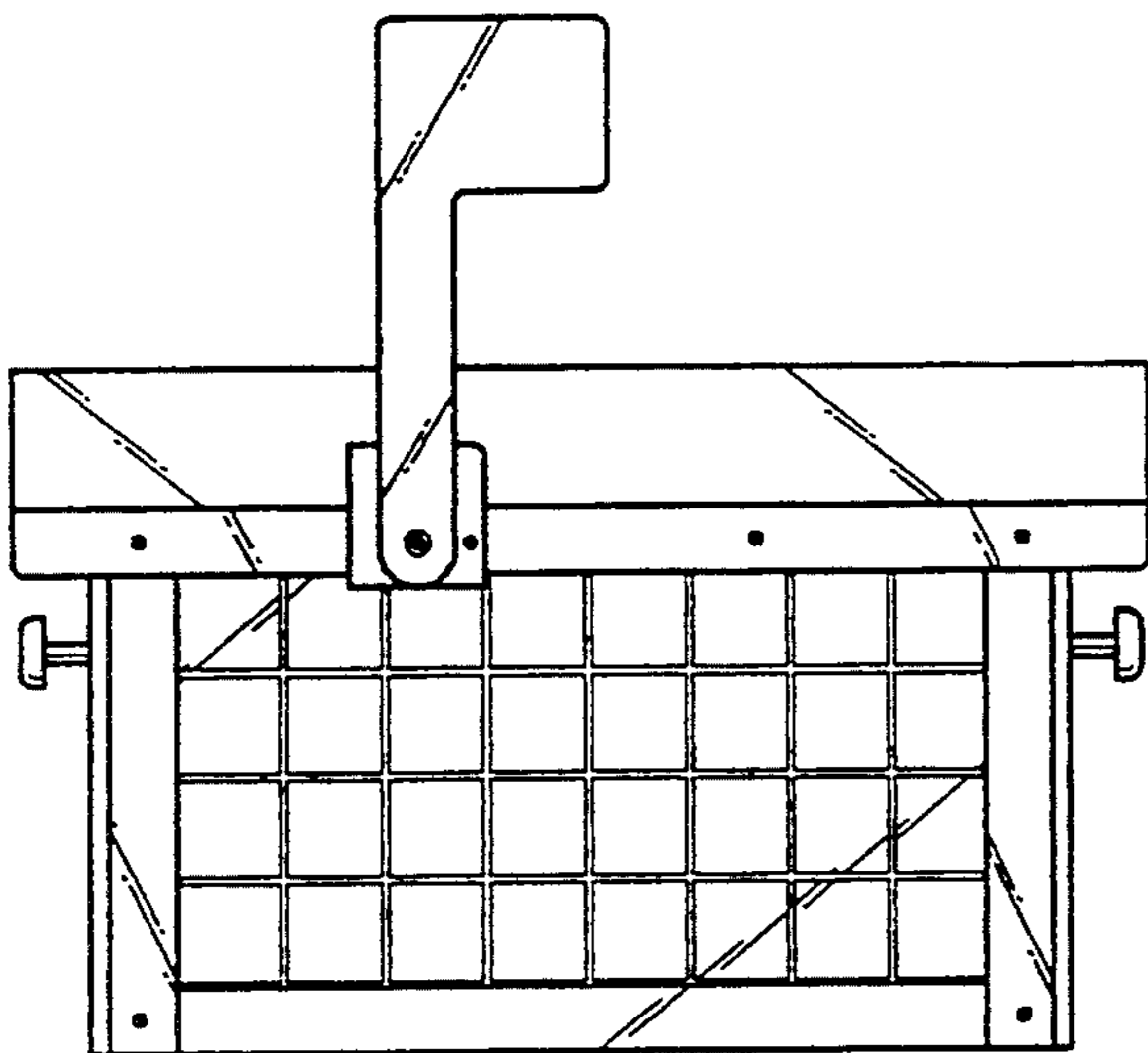


Fig. 20

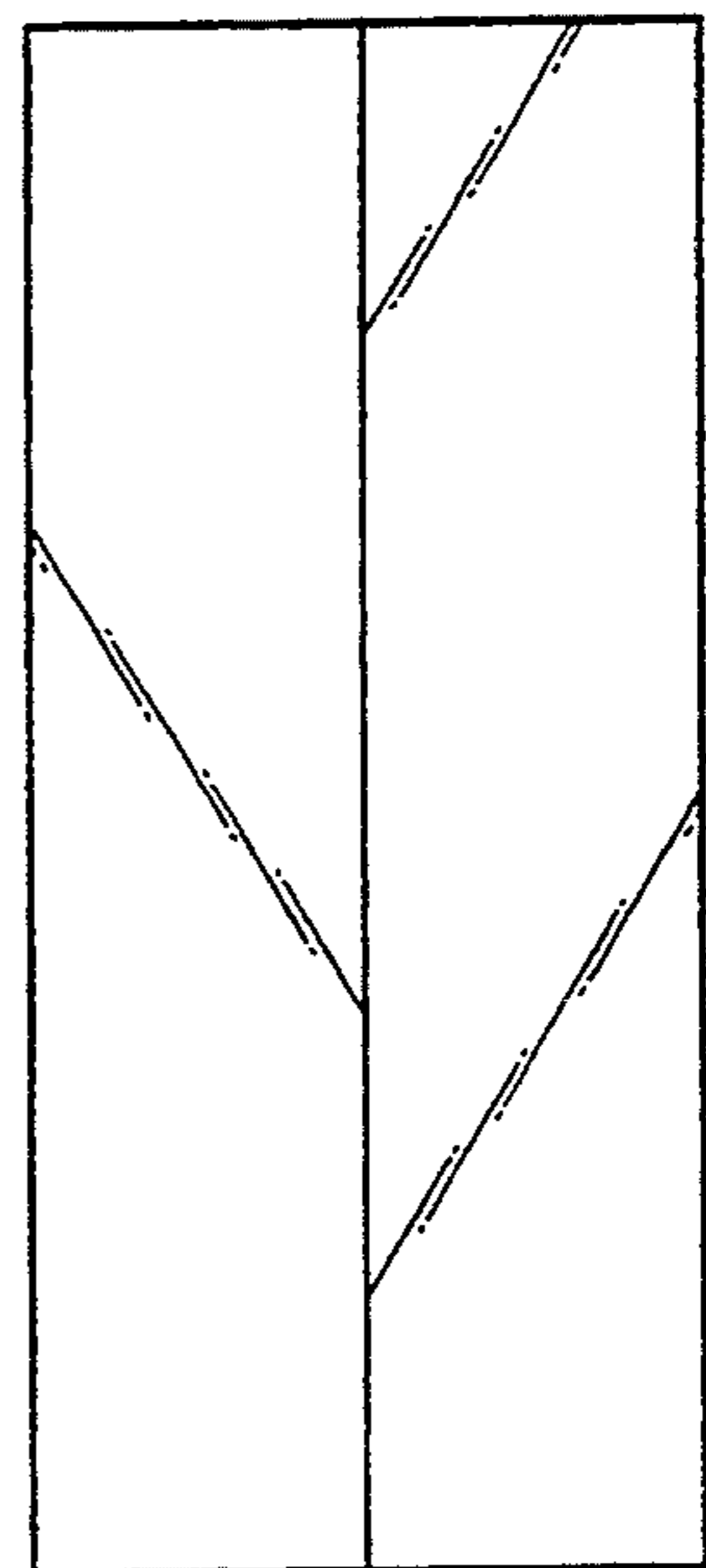


Fig. 22

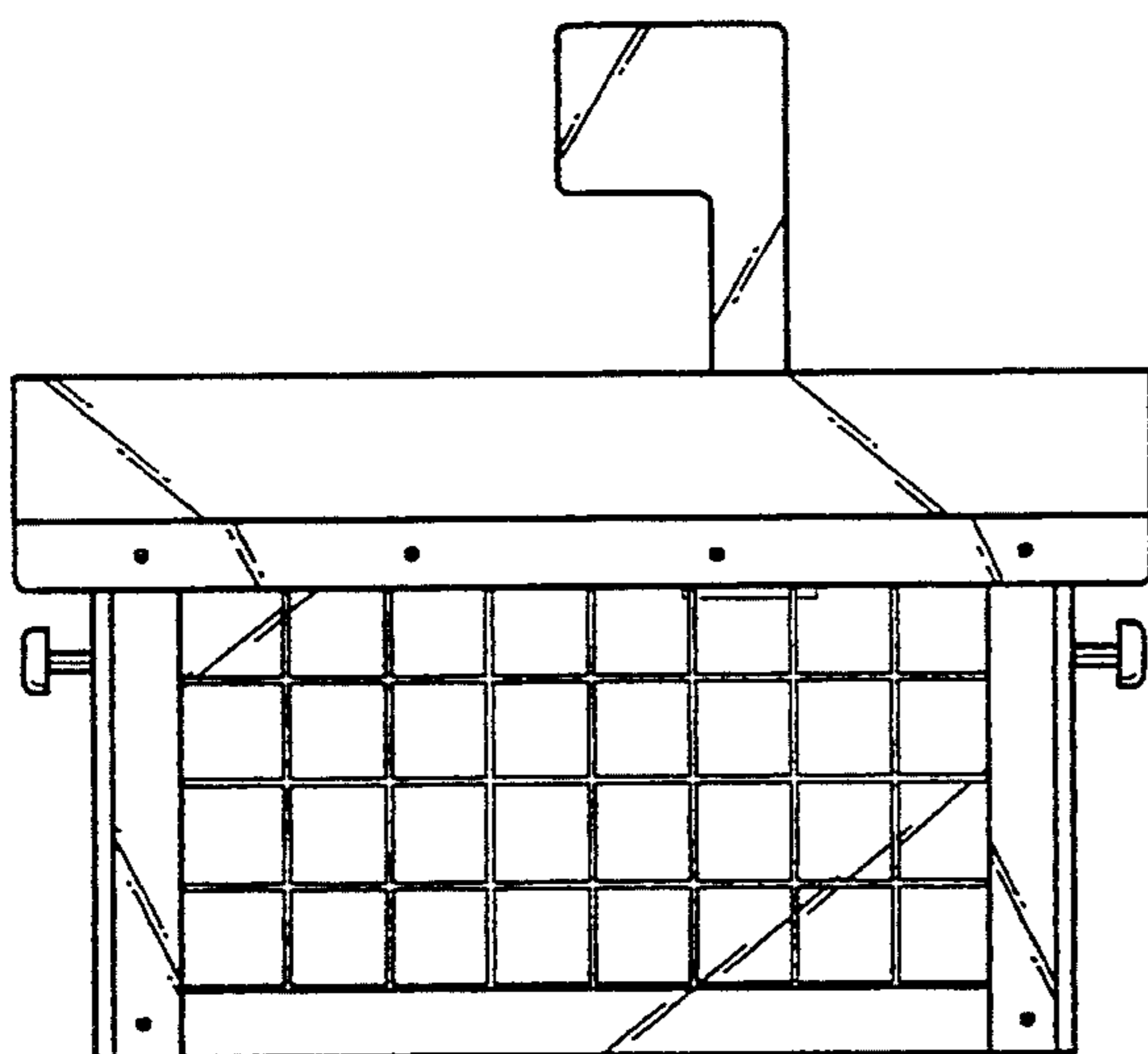


Fig. 21

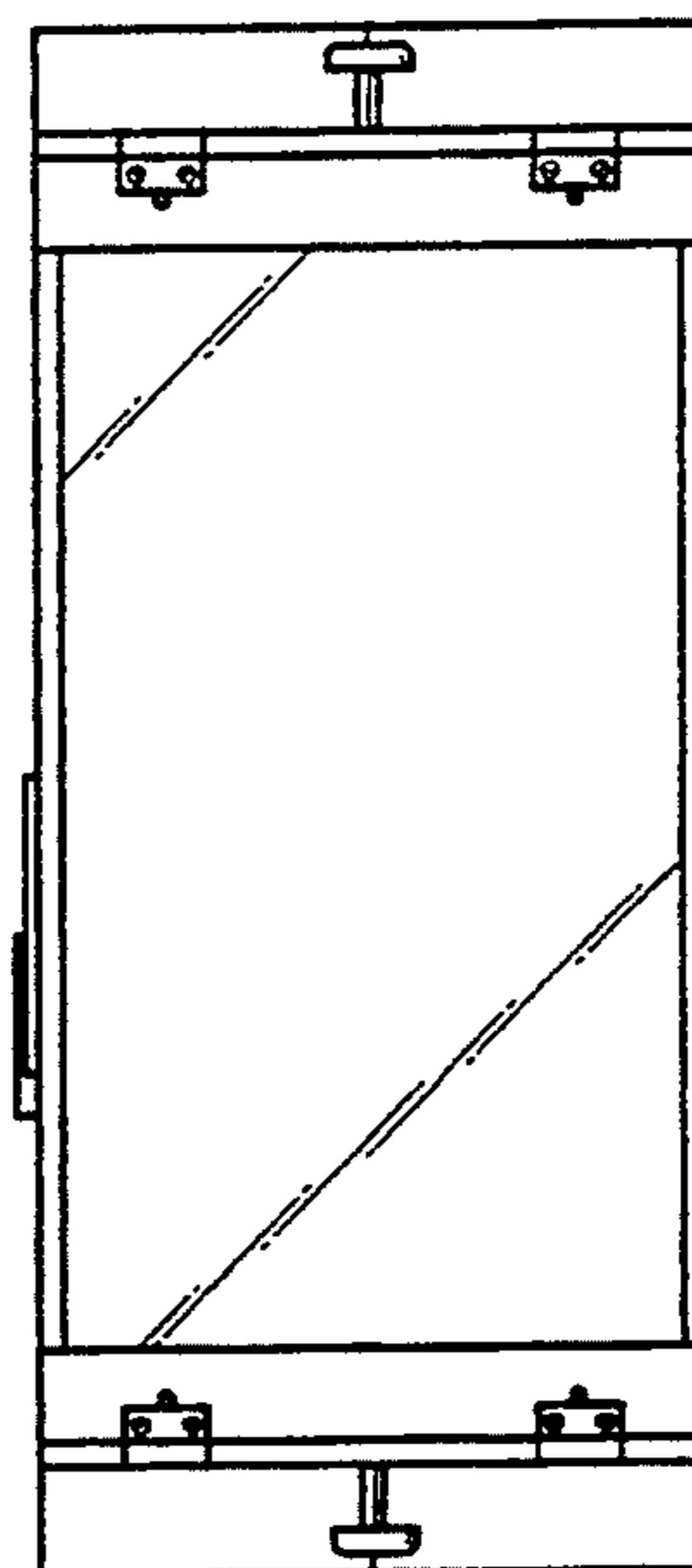


Fig. 23

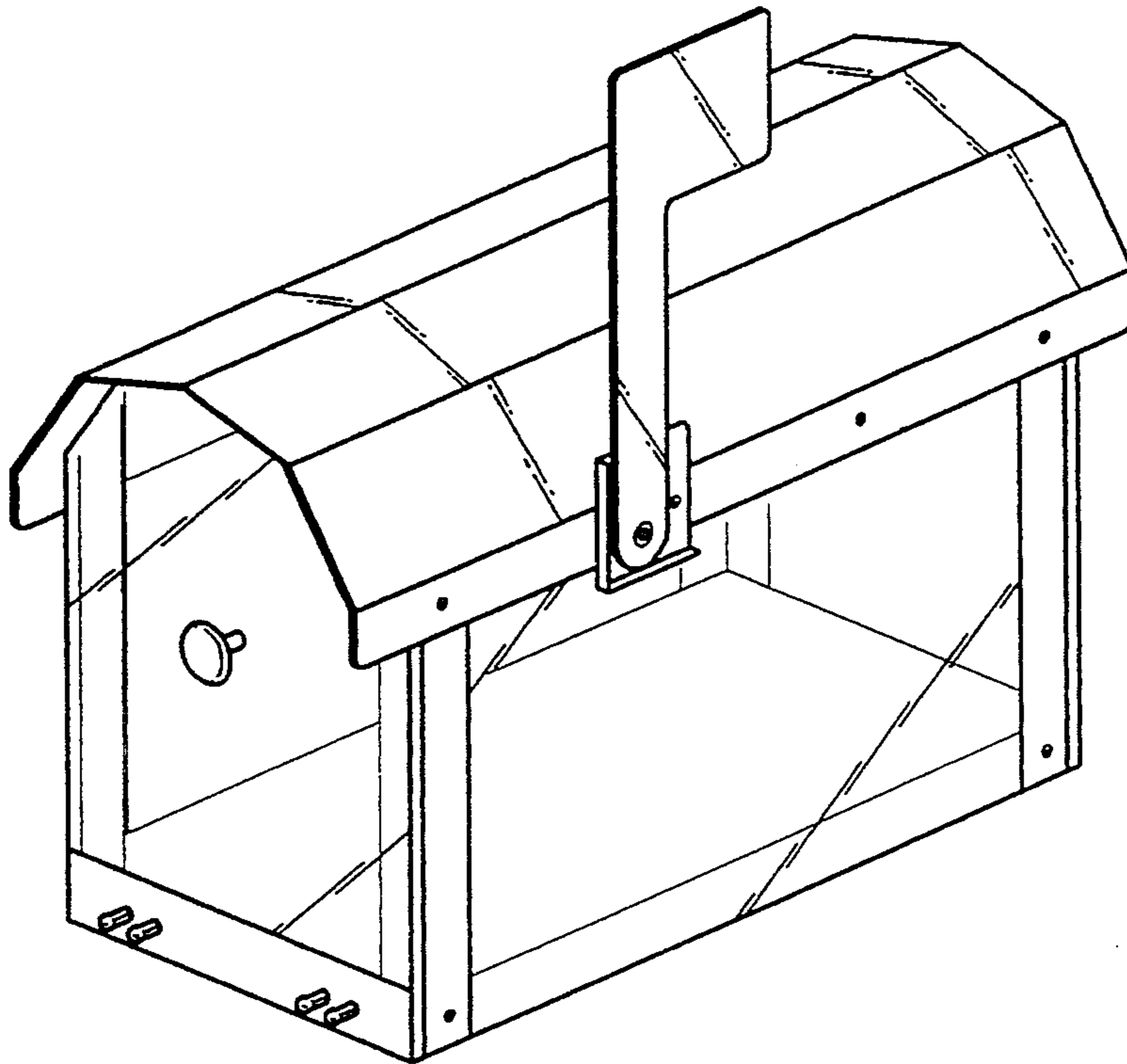


Fig. 24

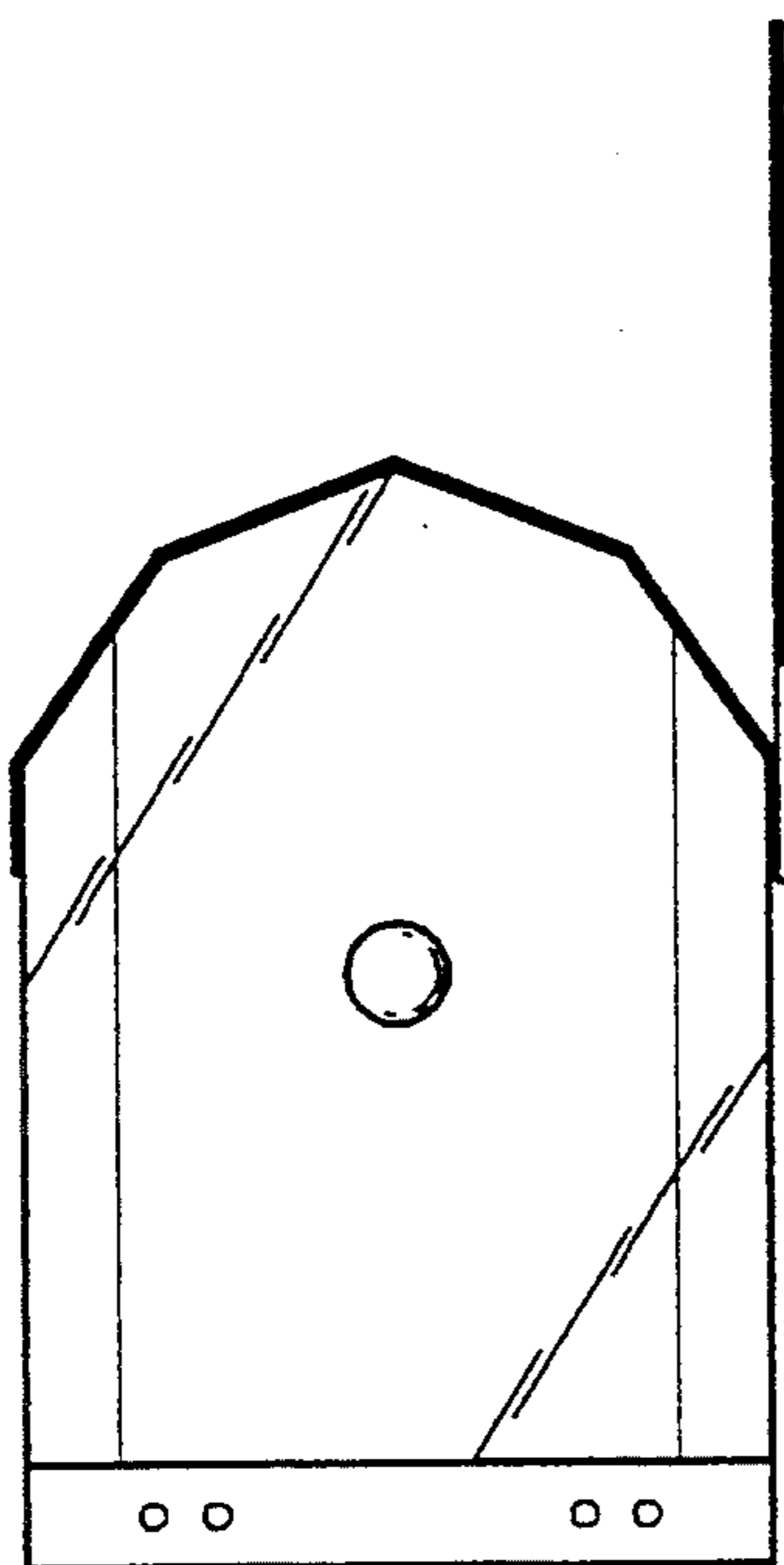


Fig. 25

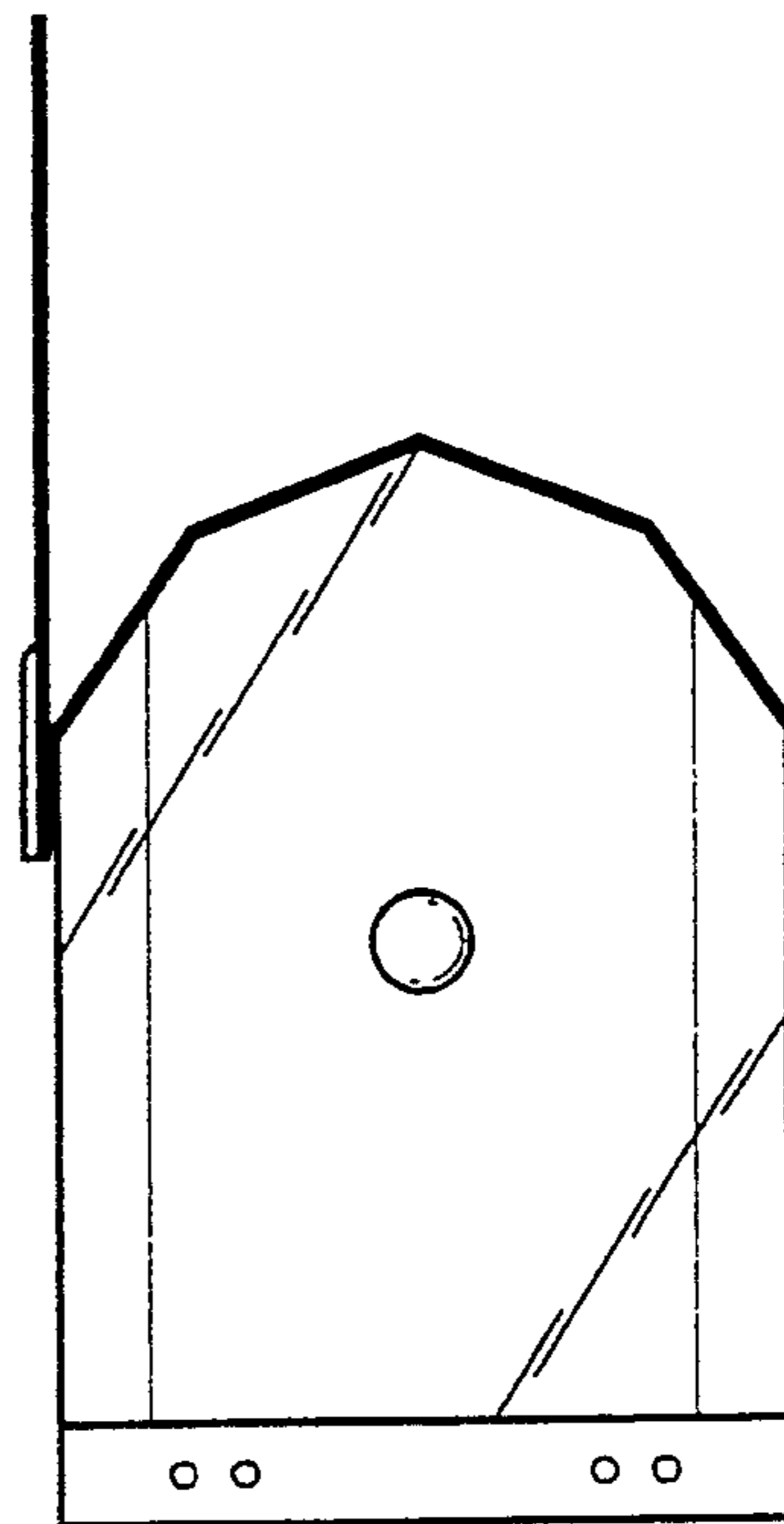


Fig. 26

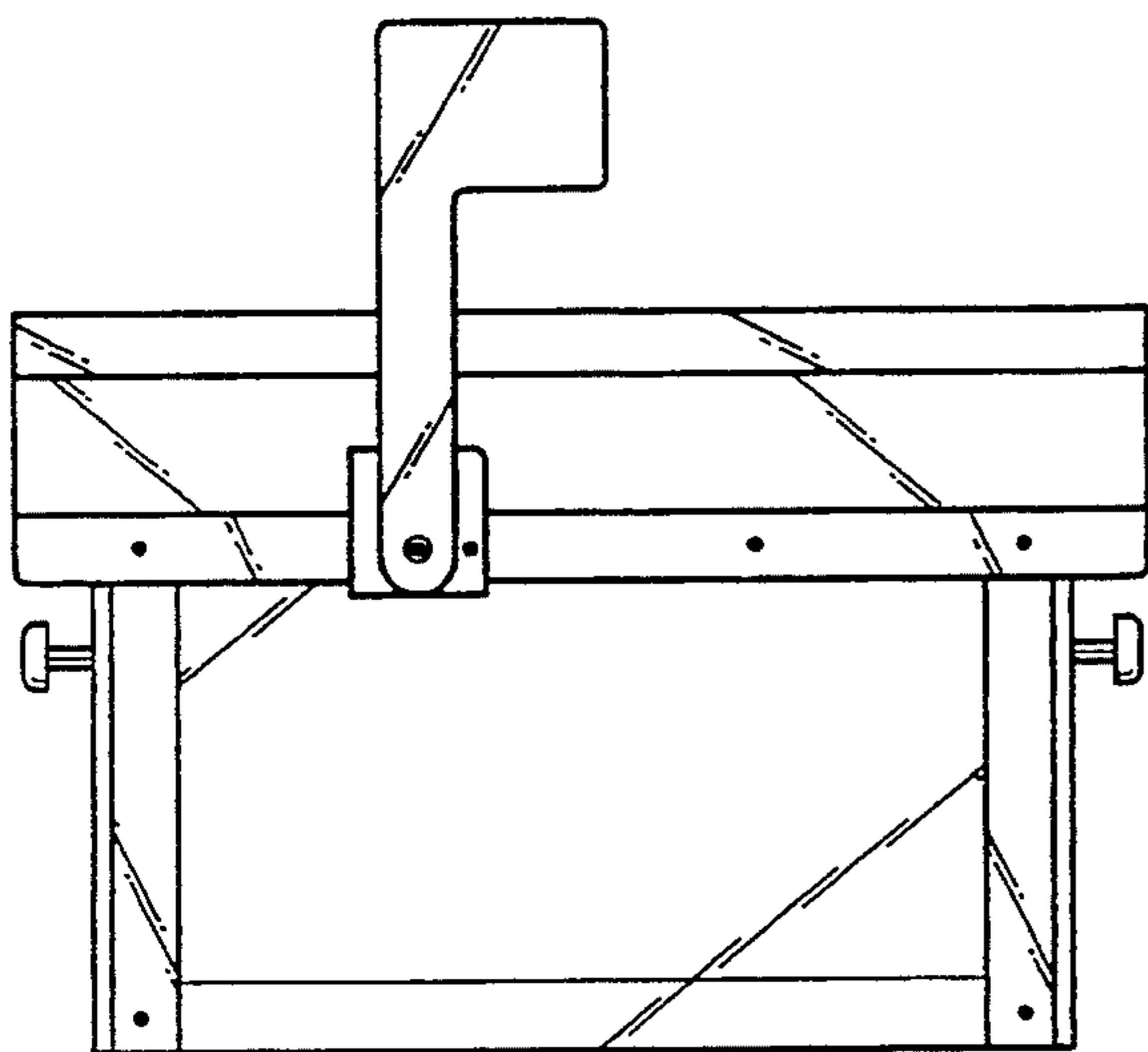


Fig. 27

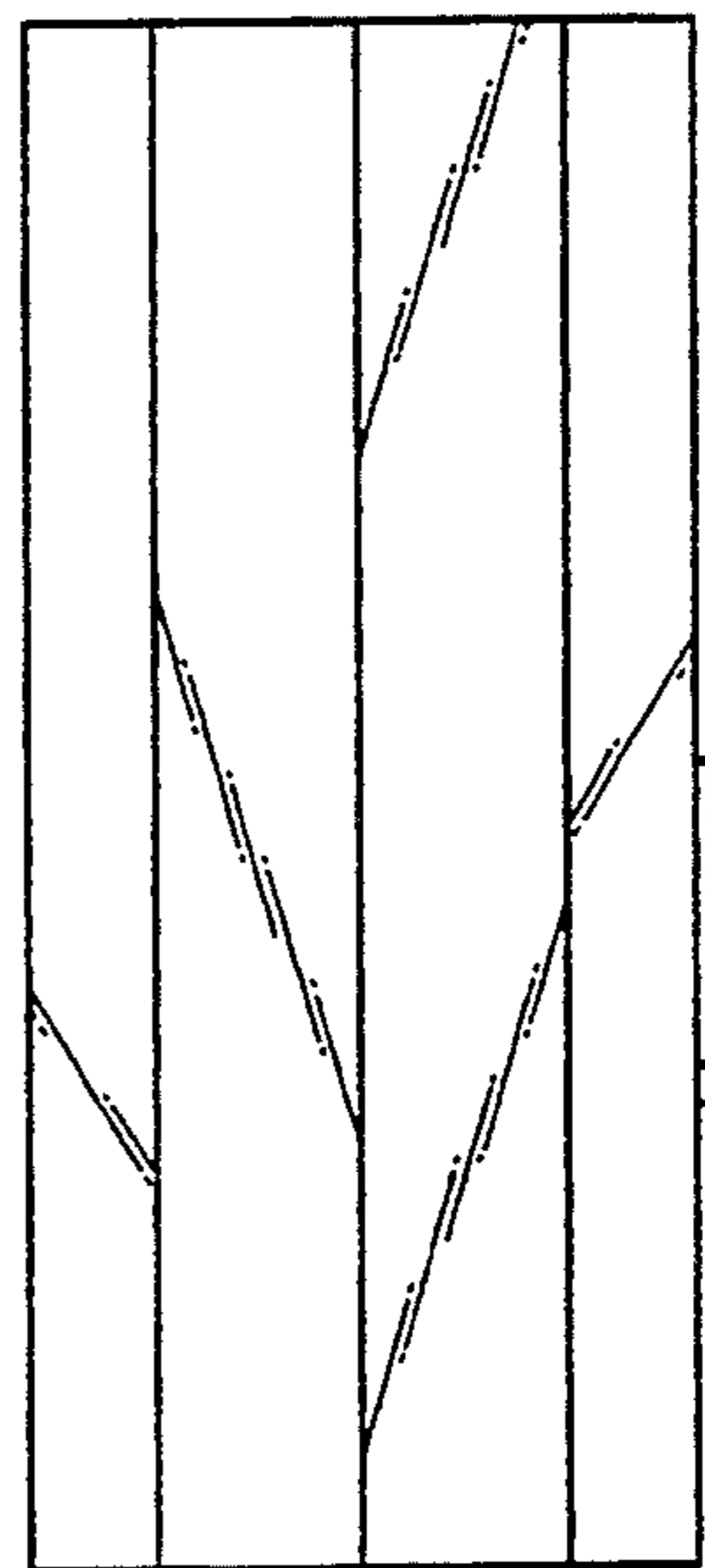


Fig. 29

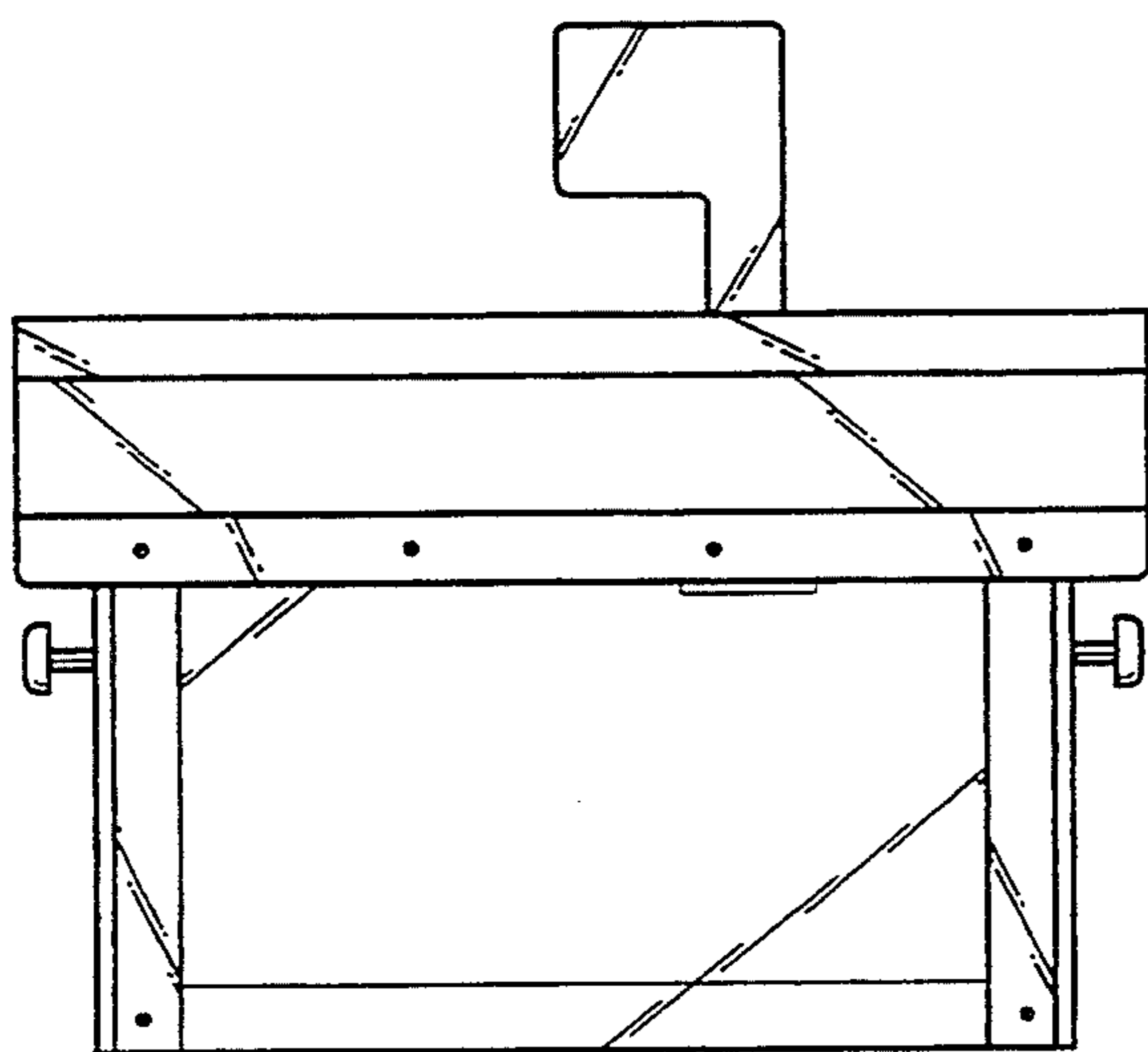


Fig. 28

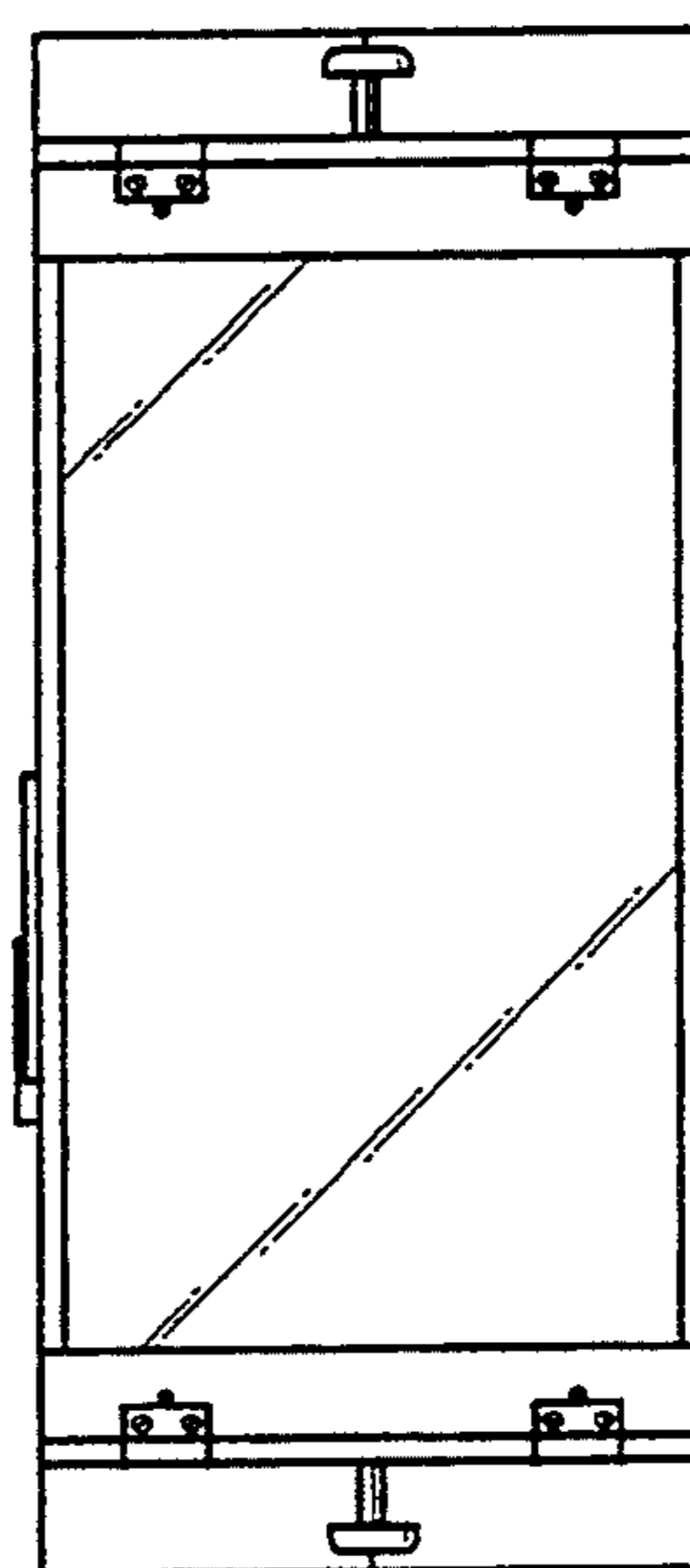


Fig. 30

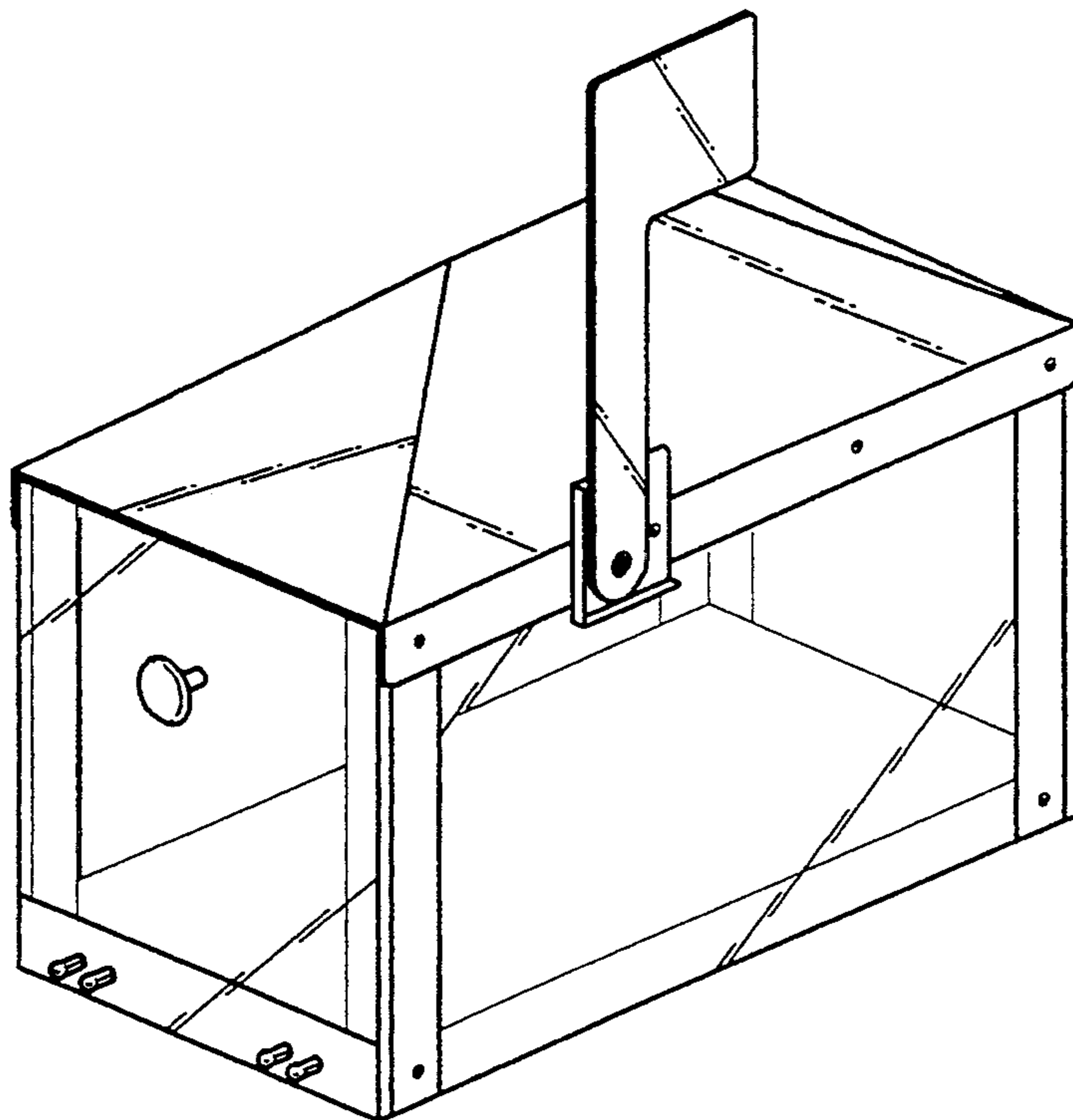


Fig. 31

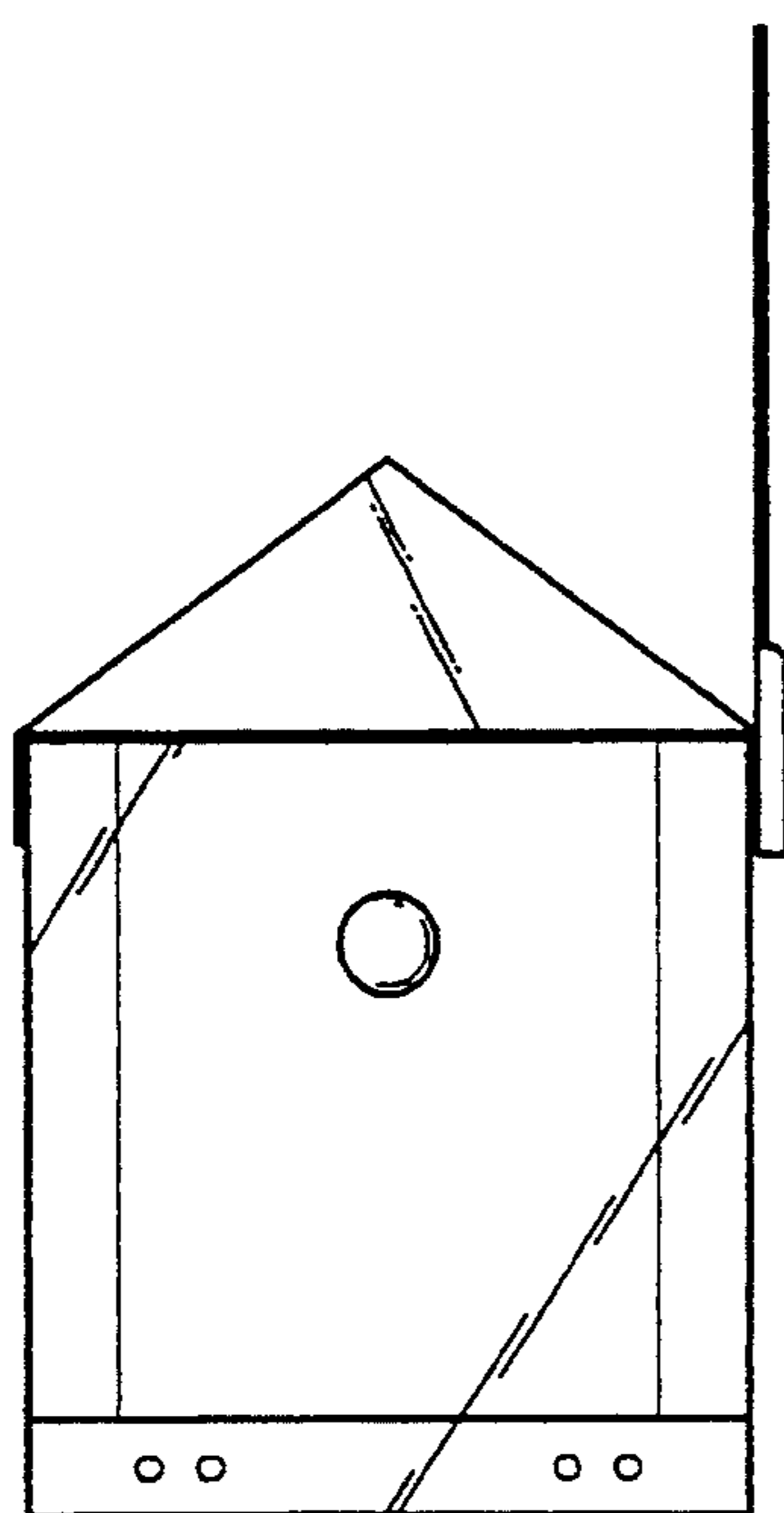


Fig. 32

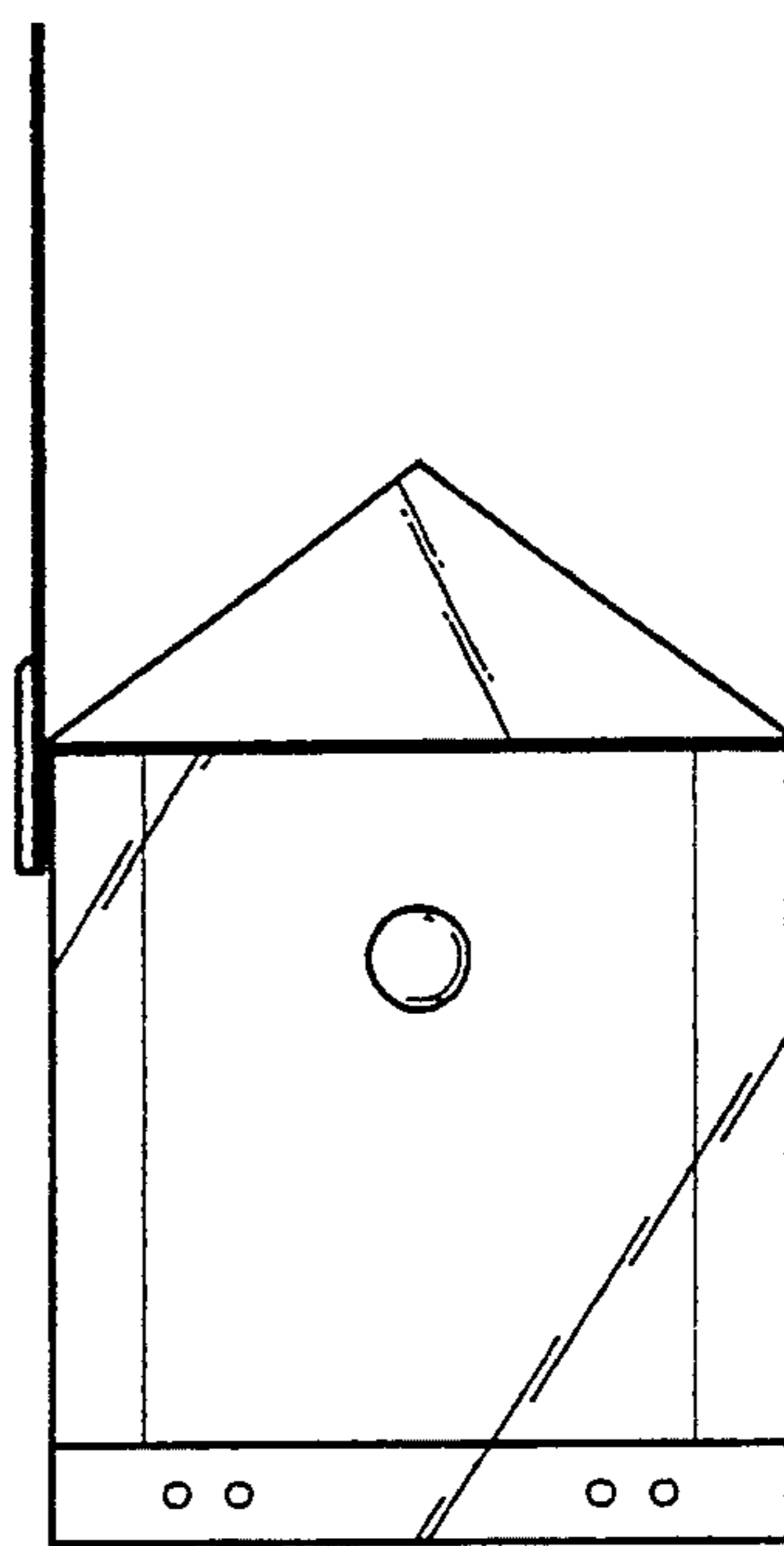


Fig. 33

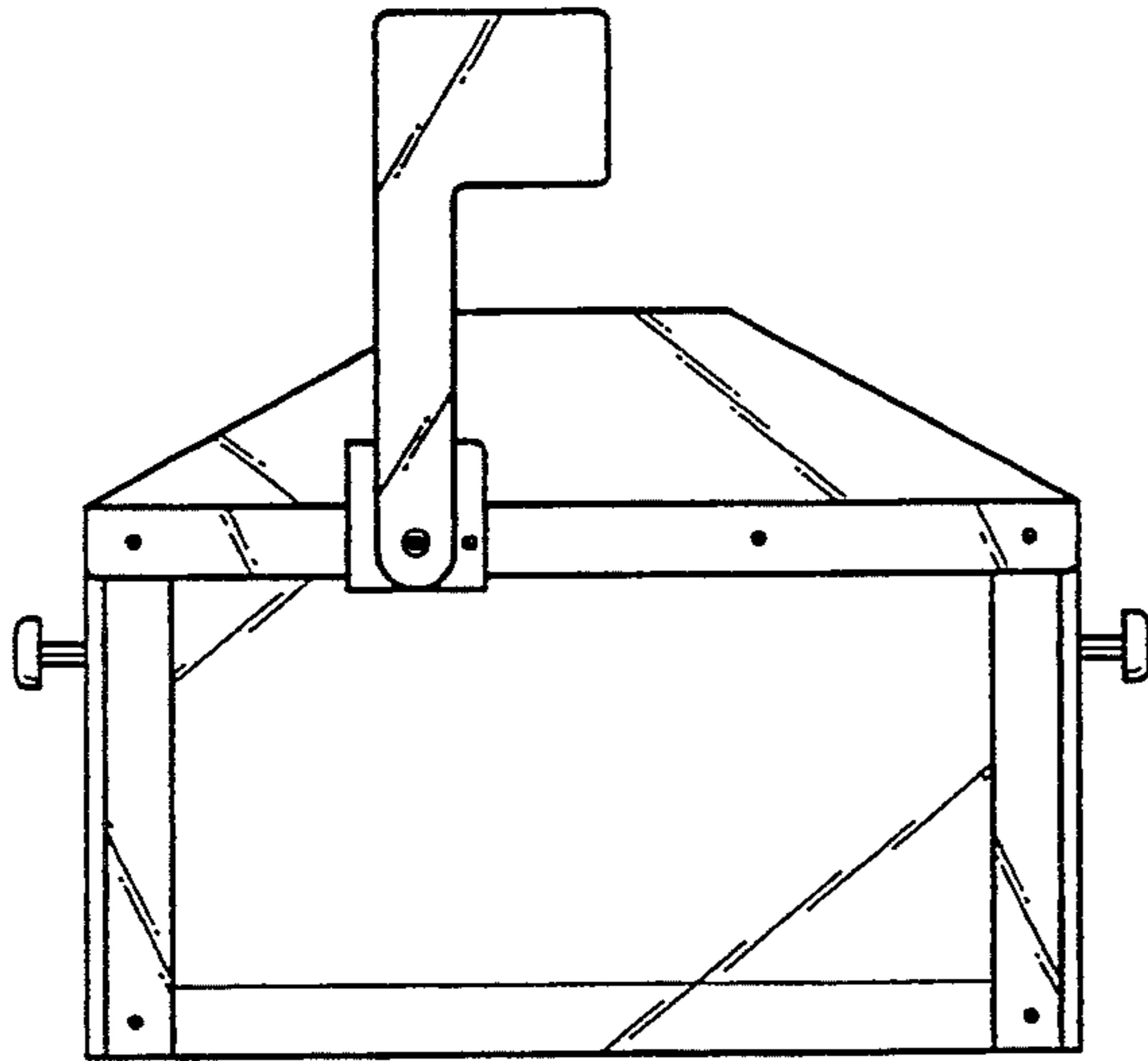


Fig. 34

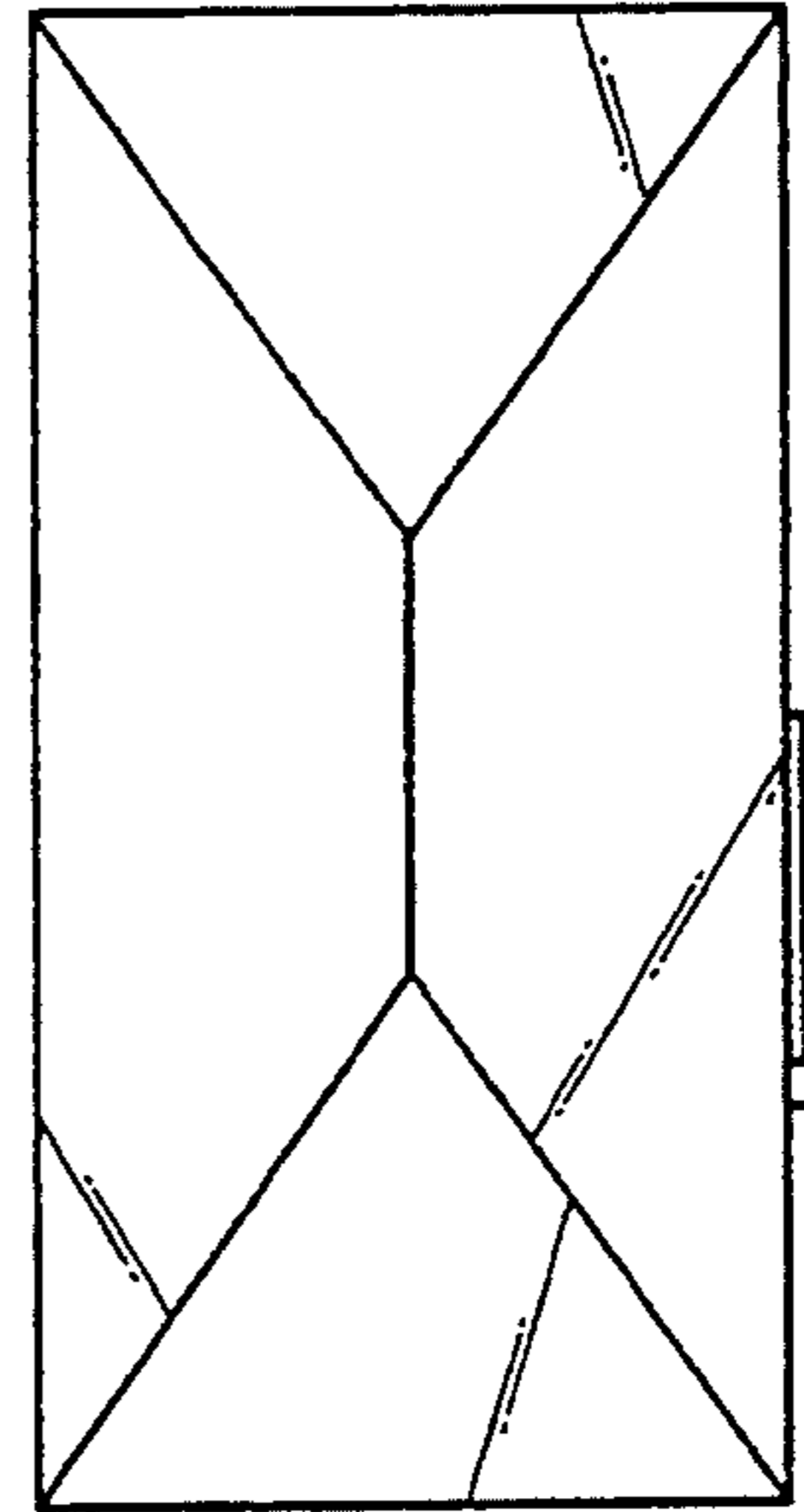


Fig. 36

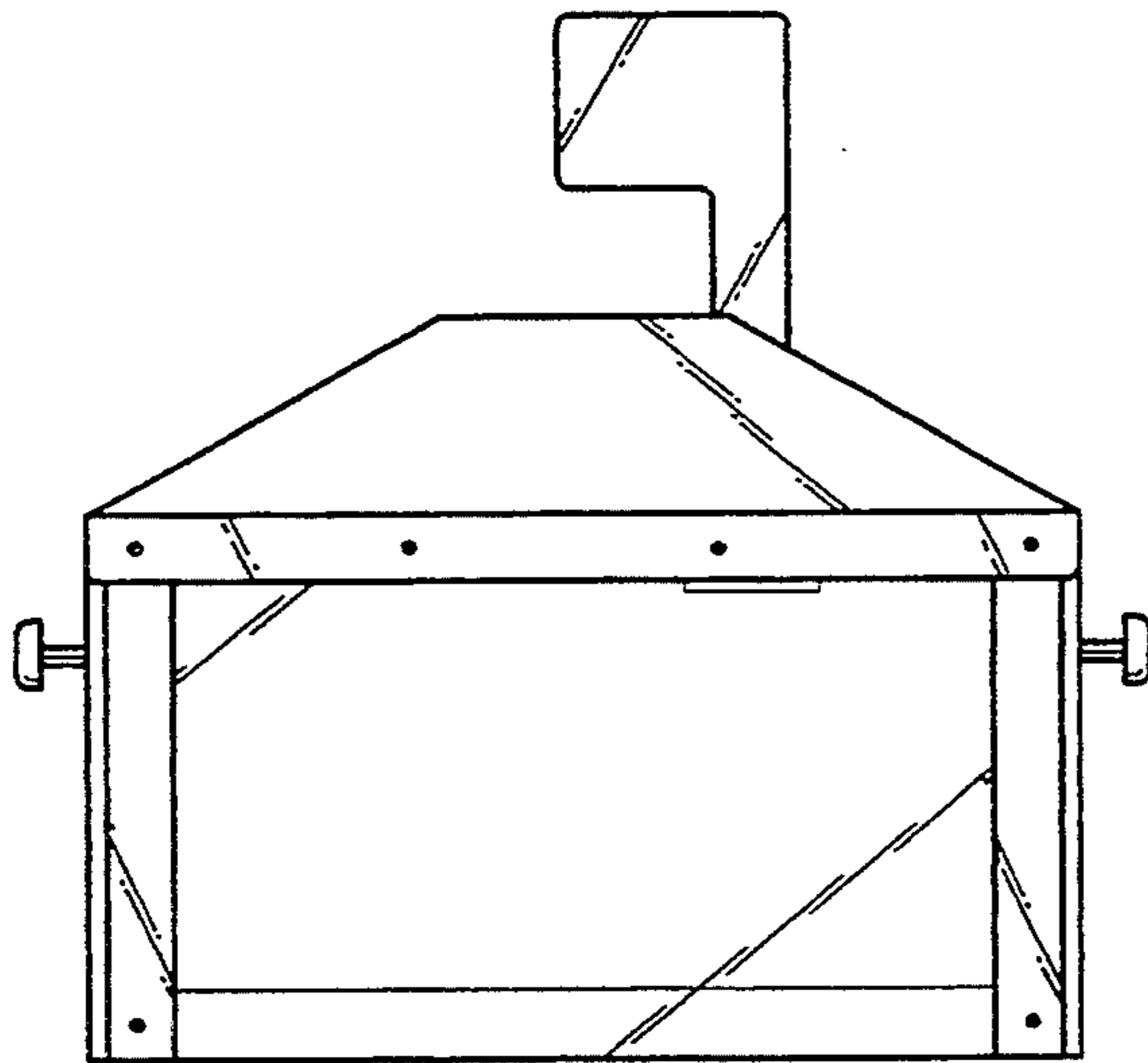


Fig. 35

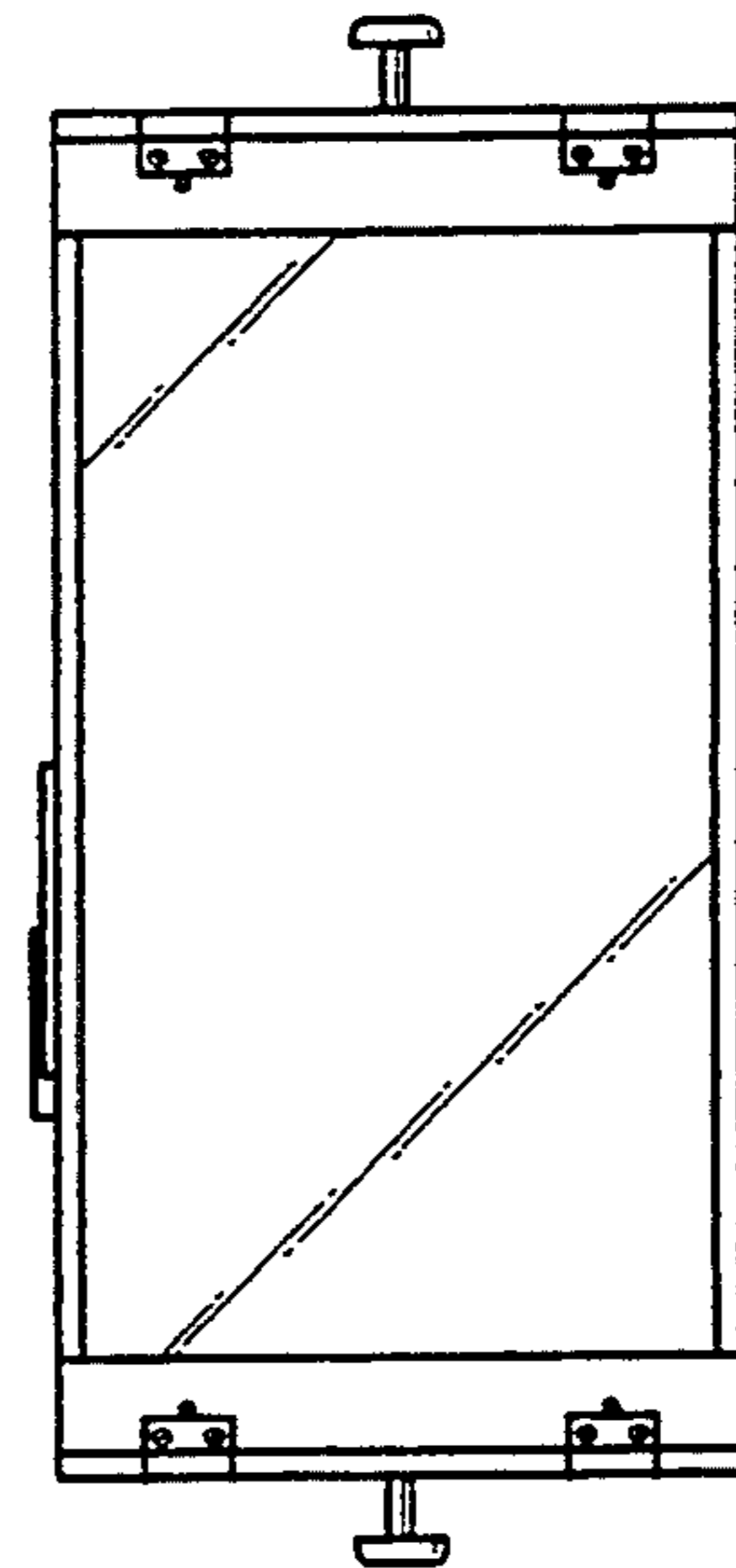


Fig. 37