



US00D354610S

United States Patent [19]

[11] Patent Number: Des. 354,610

Hassan

[45] Date of Patent: ** Jan. 17, 1995

[54] ANTI-THEFT MAILBOX

[76] Inventor: **Shawky Hassan**, 1146 S. Linden,
Flint, Mich. 48504

[**] Term: **14 Years**

[21] Appl. No.: **9,648**

[22] Filed: **Jun. 21, 1993**

[52] U.S. Cl. **D99/29**

[58] Field of Search **D99/29, 31, 32; 232/17,
232/43.1, 39, 45**

[56] **References Cited**

U.S. PATENT DOCUMENTS

4,509,675	4/1985	Siff et al.	232/17
4,905,891	3/1990	Wildish et al.	232/17
5,000,378	3/1991	Dorr et al.	232/17
5,096,115	3/1992	Hassan	232/43.1
5,148,974	9/1992	Clapper	232/17

Primary Examiner—Alan P. Douglas

Assistant Examiner—J. H. Musgrove

Attorney, Agent, or Firm—Gifford, Groh, Sprinkle,
Patmore and Anderson

[57] **CLAIM**

The ornamental design for anti-theft mailbox as shown.

DESCRIPTION

FIG. 1 is a frontal elevational view of the anti-theft mailbox of the present invention;

FIG. 2 is a rear elevational view of the anti-theft mailbox of the present invention;

FIG. 3 is a top view of the anti-theft mailbox of the present invention;

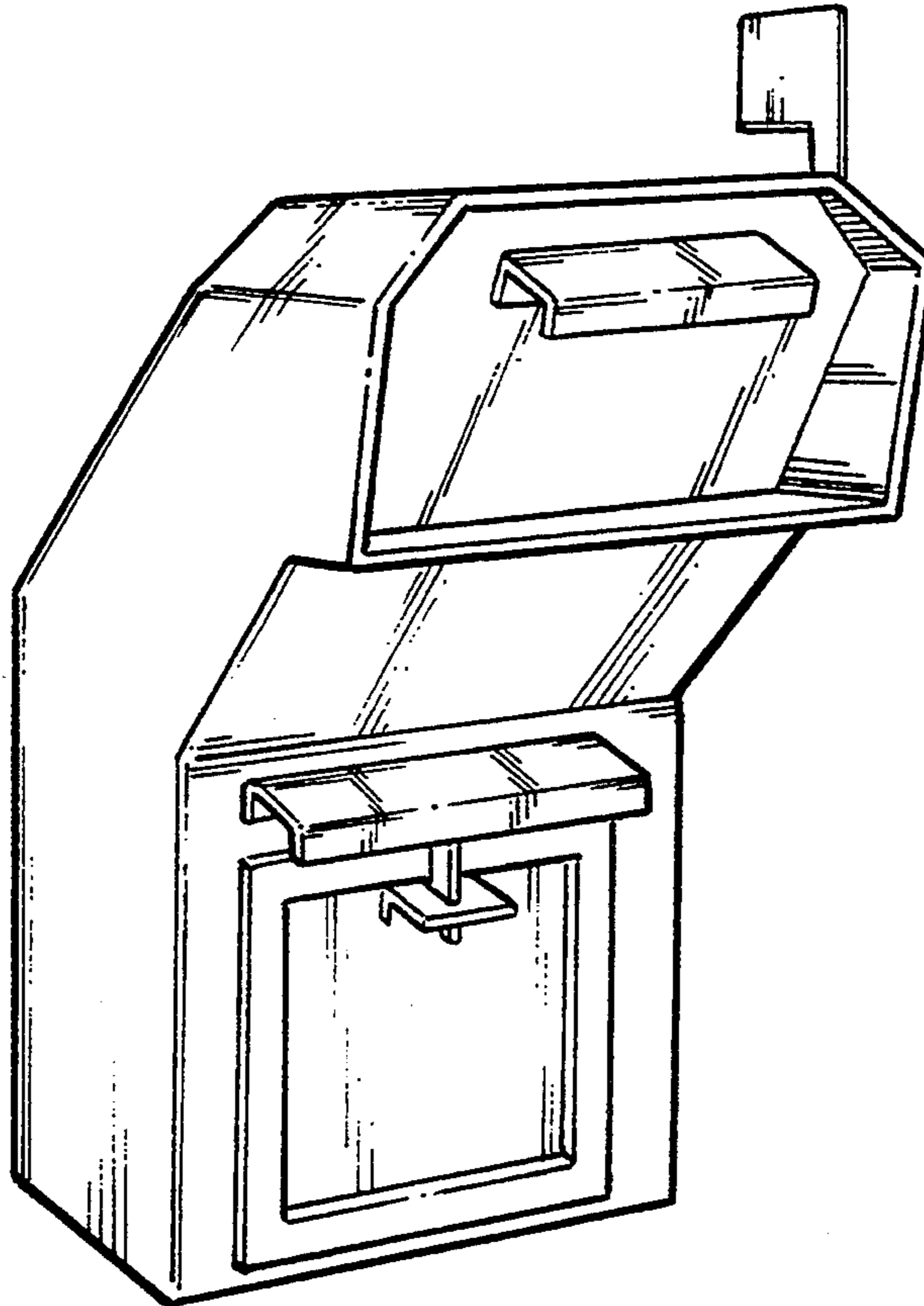
FIG. 4 is a right side view of the anti-theft mailbox of the present invention;

FIG. 5 is a front view of the anti-theft mailbox of the present invention;

FIG. 6 is a bottom view of the anti-theft mailbox of the present invention;

FIG. 7 is a left side view of the anti-theft mailbox of the present invention; and,

FIG. 8 is a rear view of the anti-theft mailbox of the present invention.



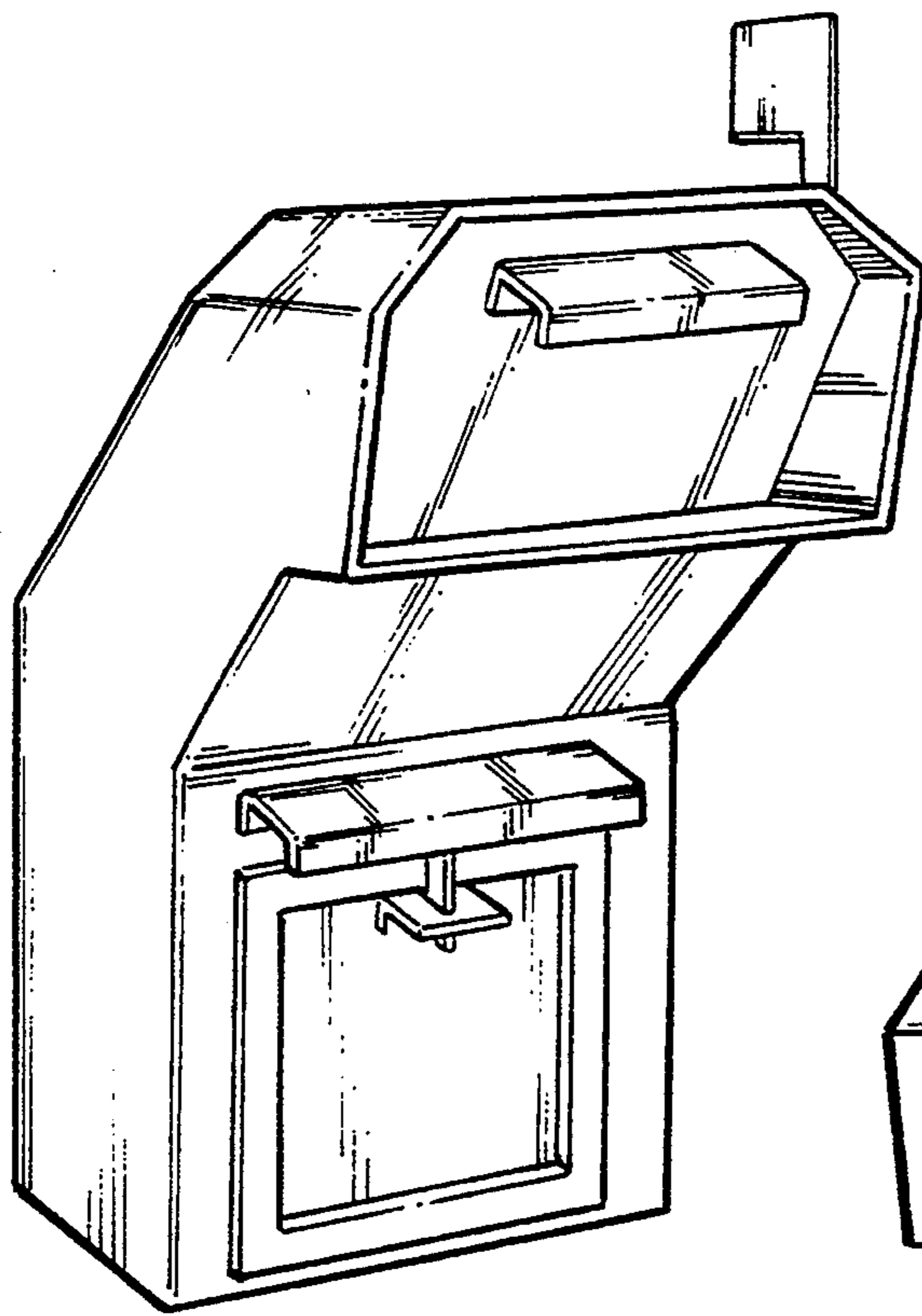


Fig-1

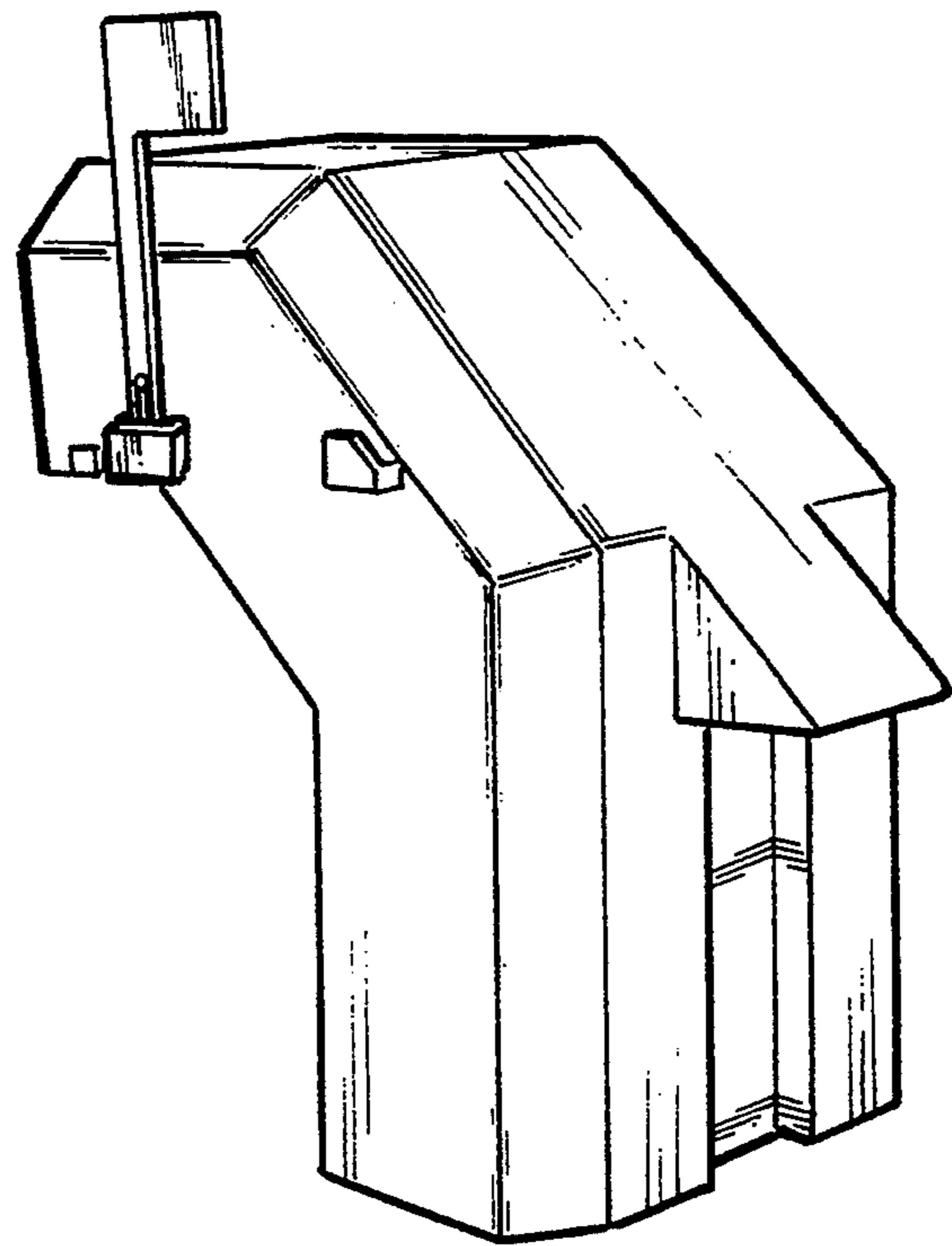


Fig-2

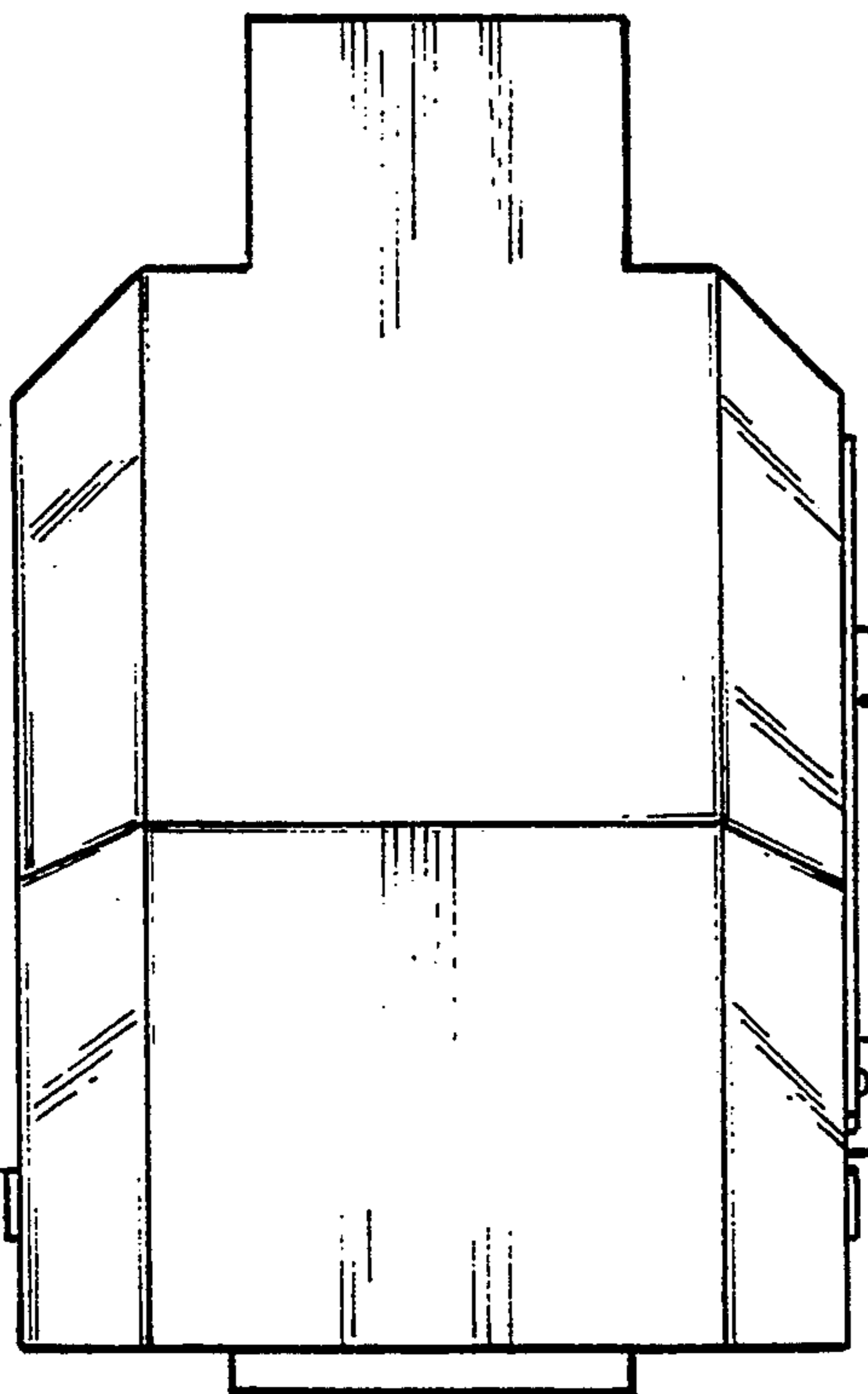


Fig-3

Fig-4

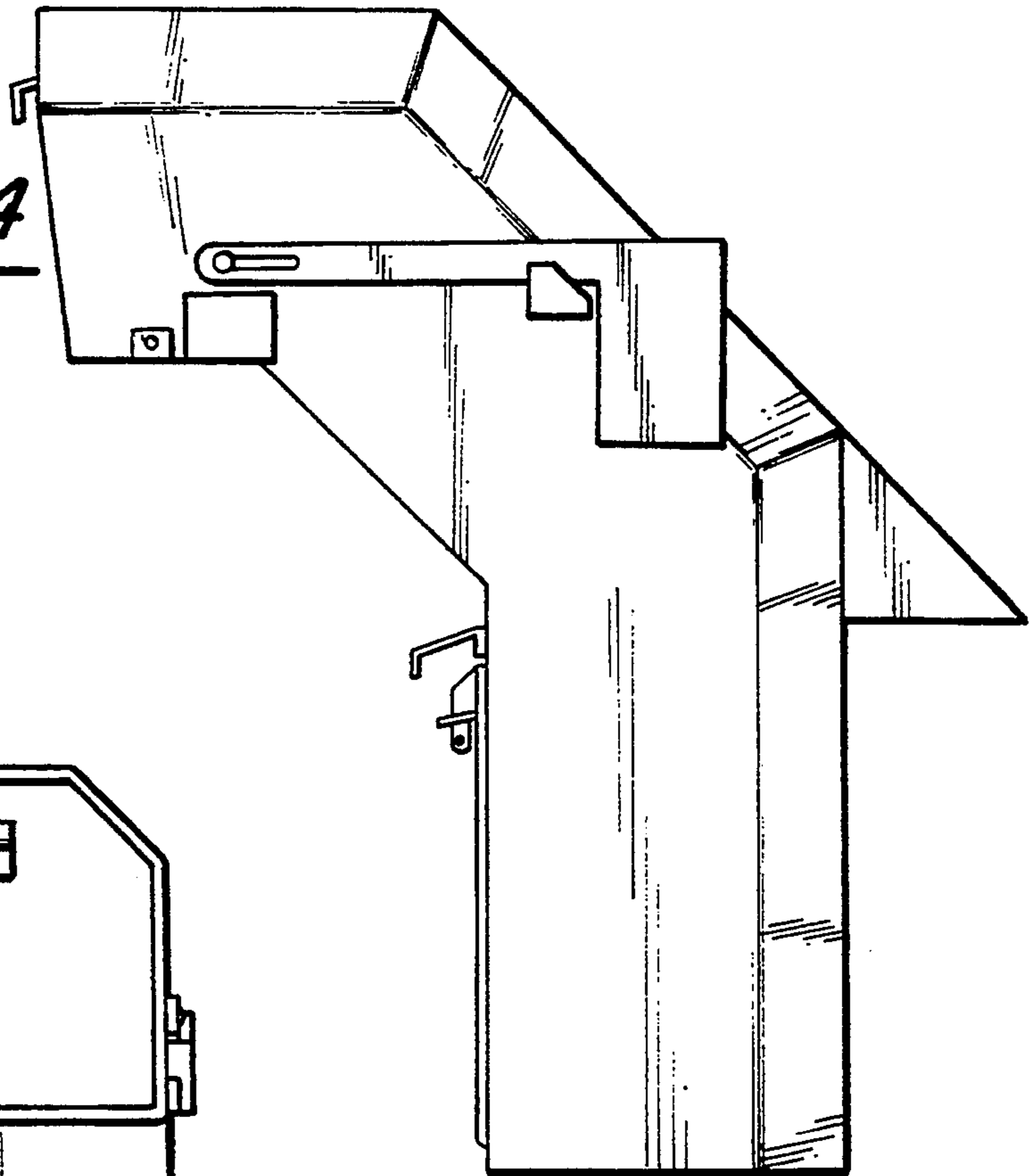


Fig-5

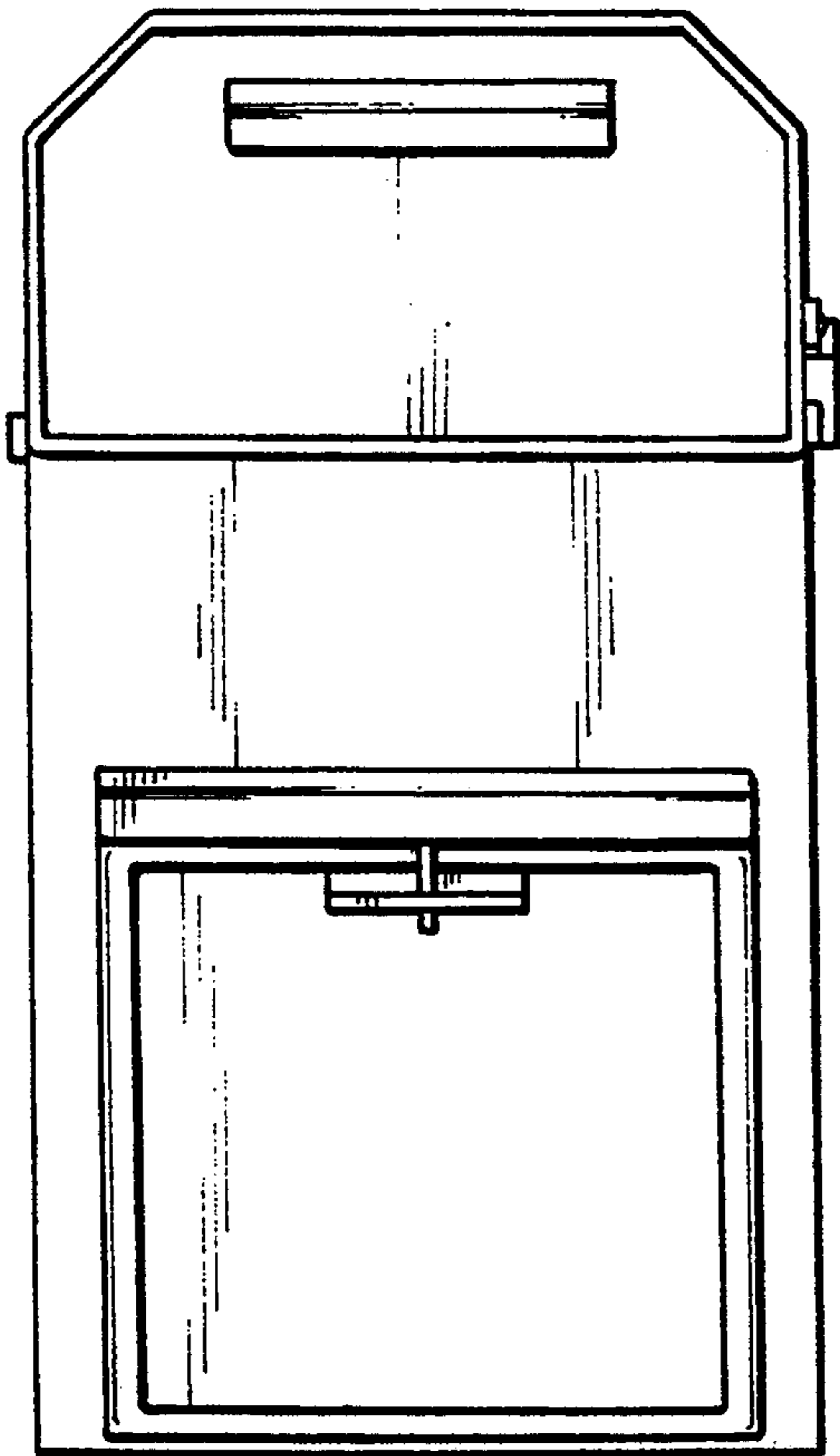
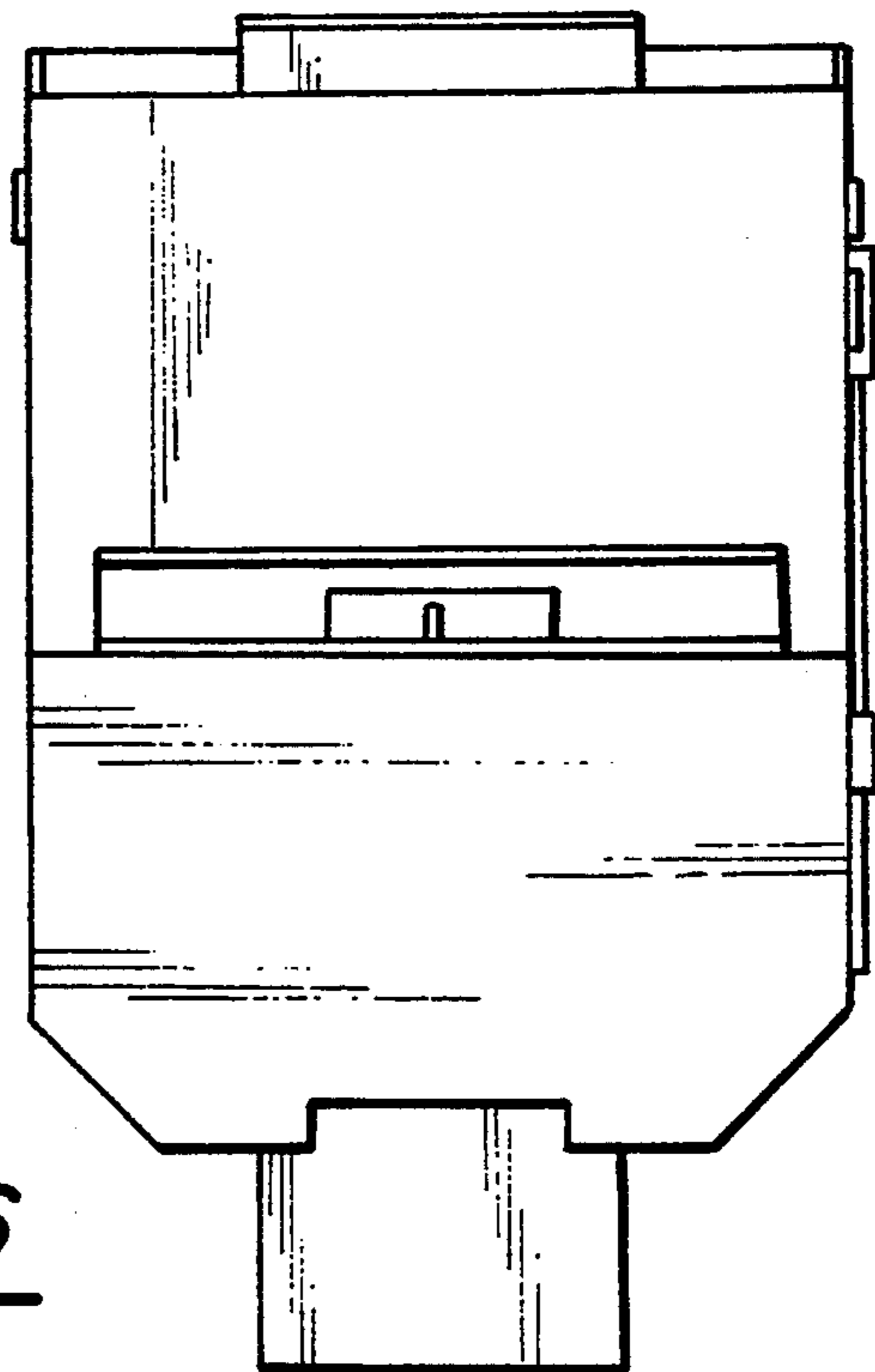


Fig-6



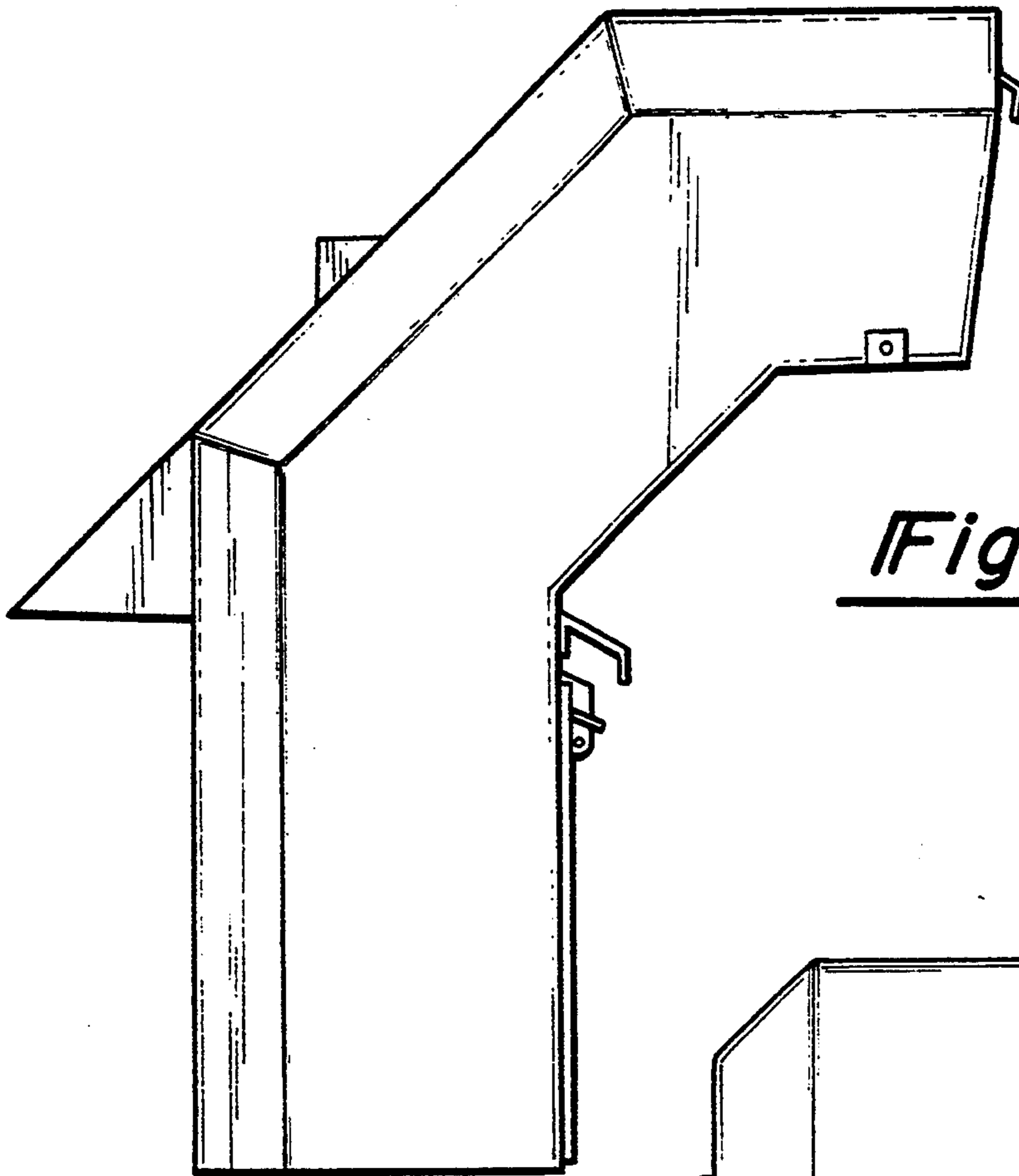


Fig-7

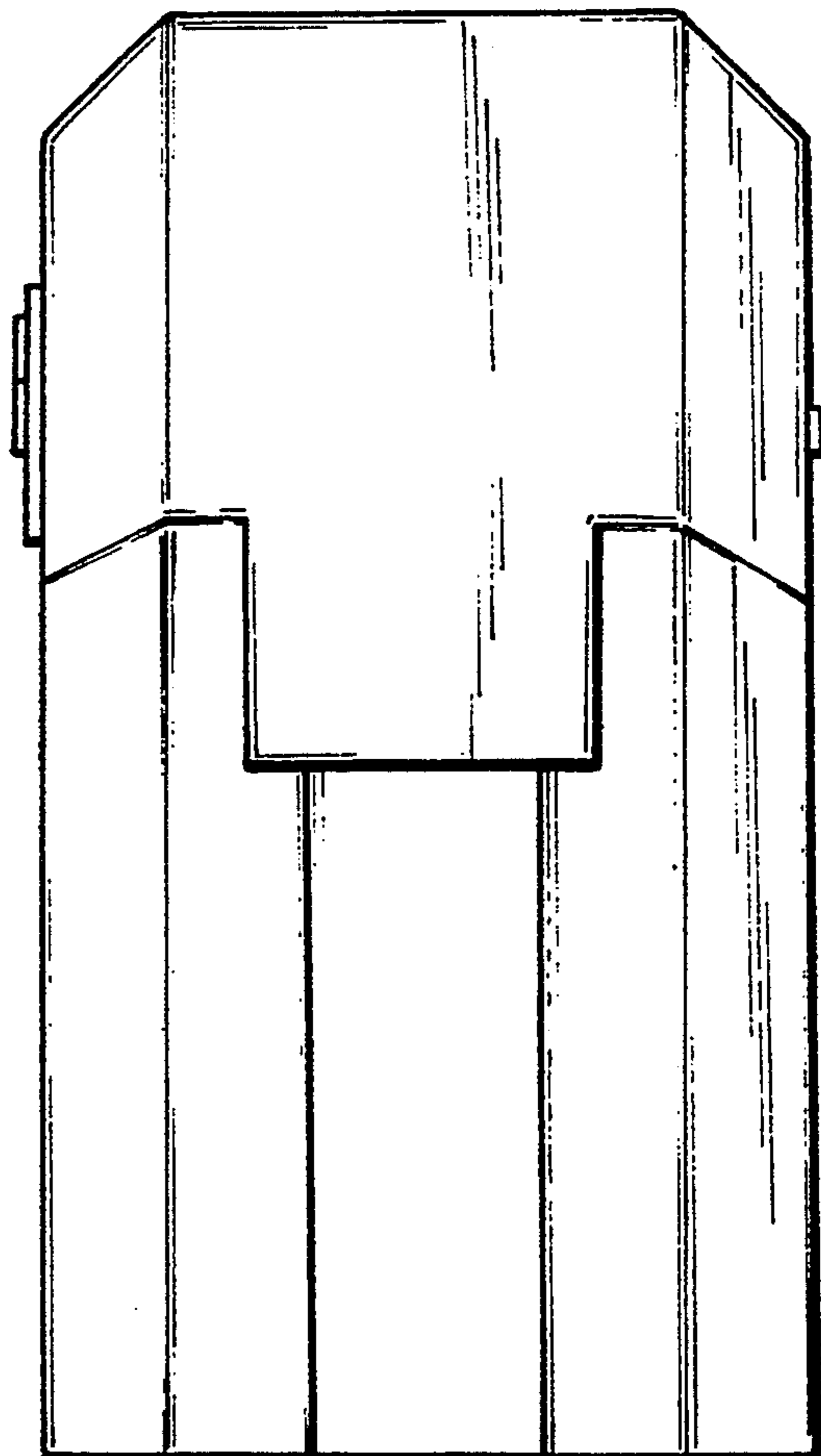


Fig-8