



US00D354607S

# United States Patent [19]

[11] Patent Number: **Des. 354,607**

Lanigan, Sr. et al.

[45] Date of Patent: **\*\* Jan. 17, 1995**

[54] **SIDE LATCH COUPLING ASSEMBLY**

[76] Inventors: **John J. Lanigan, Sr.**, 14560 Golf Rd., Orland Park, Ill. 60462; **John J. Lanigan, Jr.**, 19516 Lake Lynwood Dr., Lynwood, Ill. 60411; **Michael T. Lanigan**, 12601 Holm Dr., Lockport, Ill. 60441; **William P. Lanigan**, 16946 Blue Heron Dr., Orland Park, Ill. 60462

[\*\*] Term: **14 Years**

[21] Appl. No.: **876,226**

[22] Filed: **Apr. 30, 1992**

[52] U.S. Cl. .... **D34/33; D34/35; D12/106**

[58] **Field of Search** ..... **D12/96, 97, 102, 106, D12/155; D34/28, 33-37; 294/68.1, 68.3, 86.4, 82.17, 82.23; 414/389, 391, 560, 592, 618-619, 621**

[56] **References Cited**

**U.S. PATENT DOCUMENTS**

3,154,203	10/1964	Barry	294/68.3
3,261,637	7/1966	Bopp et al.	294/68.3
3,262,729	7/1966	Willison et al.	294/68.3
3,484,014	12/1969	Munch	294/68.1
4,925,226	5/1990	Leonard, Jr. et al.	294/82.17
5,257,844	11/1993	Patouillard et al.	294/68.3

*Primary Examiner*—Brian N. Vinson  
*Attorney, Agent, or Firm*—Robert A. Brown

[57] **CLAIM**

The ornamental design for a side latch coupling assembly, as shown and described.

**DESCRIPTION**

FIG. 1 is an exploded top, front and right side perspective view of a side latch coupling assembly showing our new design;

FIG. 2 is an enlarged, fragmentary front elevational view thereof, showing the right side of the extendible/retractable arm interfitted with the latch casting;

FIG. 3 is an enlarged right side elevational view thereof, the left side being a mirror image of that shown;

FIG. 4 is an enlarged, fragmentary vertical cross-sectional view thereof, taken in the direction of lines 4—4 of FIG. 3;

FIG. 5 is an enlarged, fragmentary rear elevational view thereof, showing the left side of the extendible/retractable arm interfitted with the latch casting;

FIG. 6 is an enlarged, fragmentary top plan view of the right end of the arm portion of the assembly; and,

FIG. 7 is an enlarged, fragmentary bottom plan view of the right end of the arm portion of the assembly.

The broken-line disclosure of the pair of spreader arm and container fragments in the views is for illustrative purposes only and forms no part of the claimed design. Portions of the components are omitted in the views for clarity of illustration.

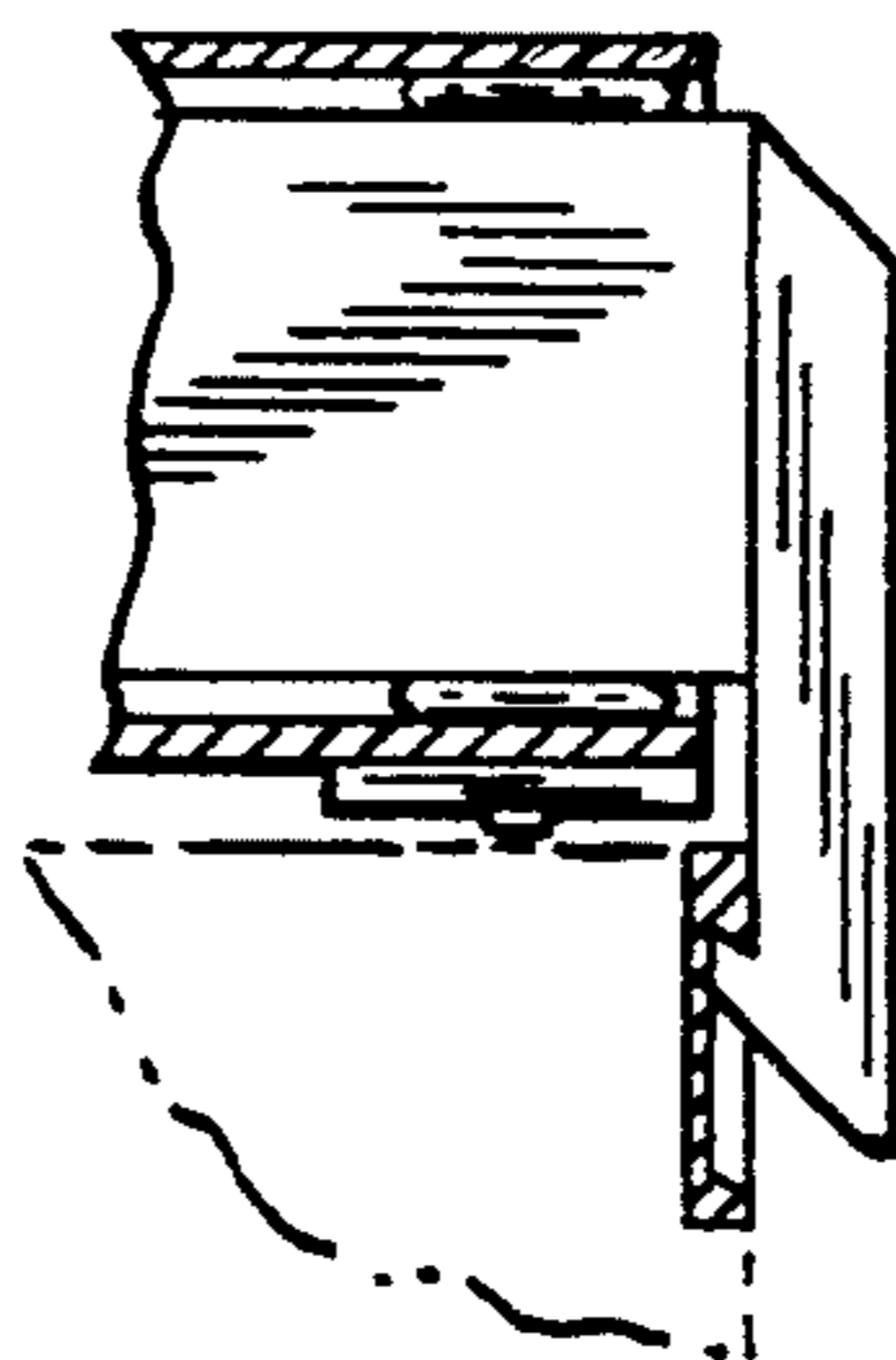
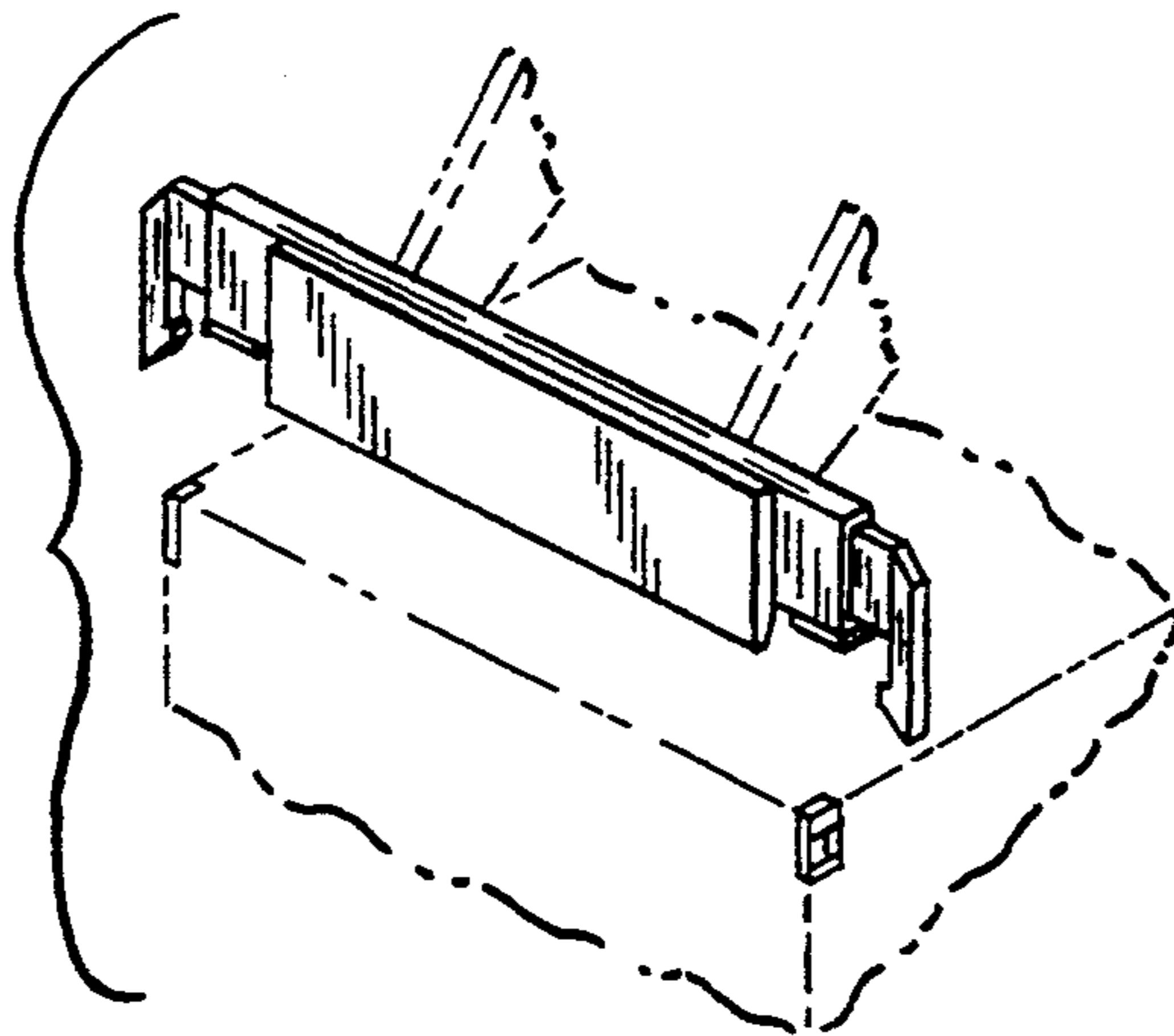


FIG. 1

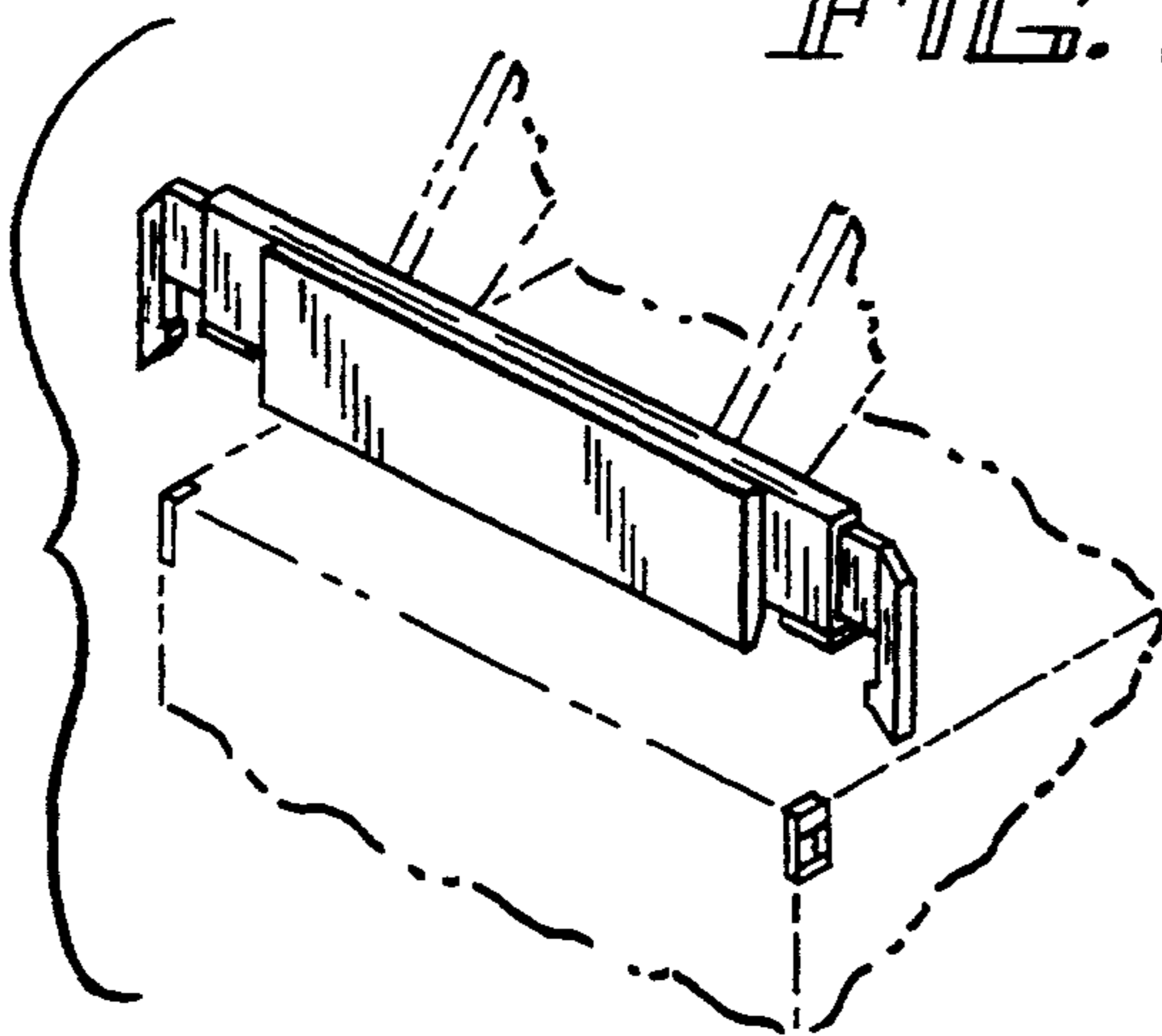


FIG. 3

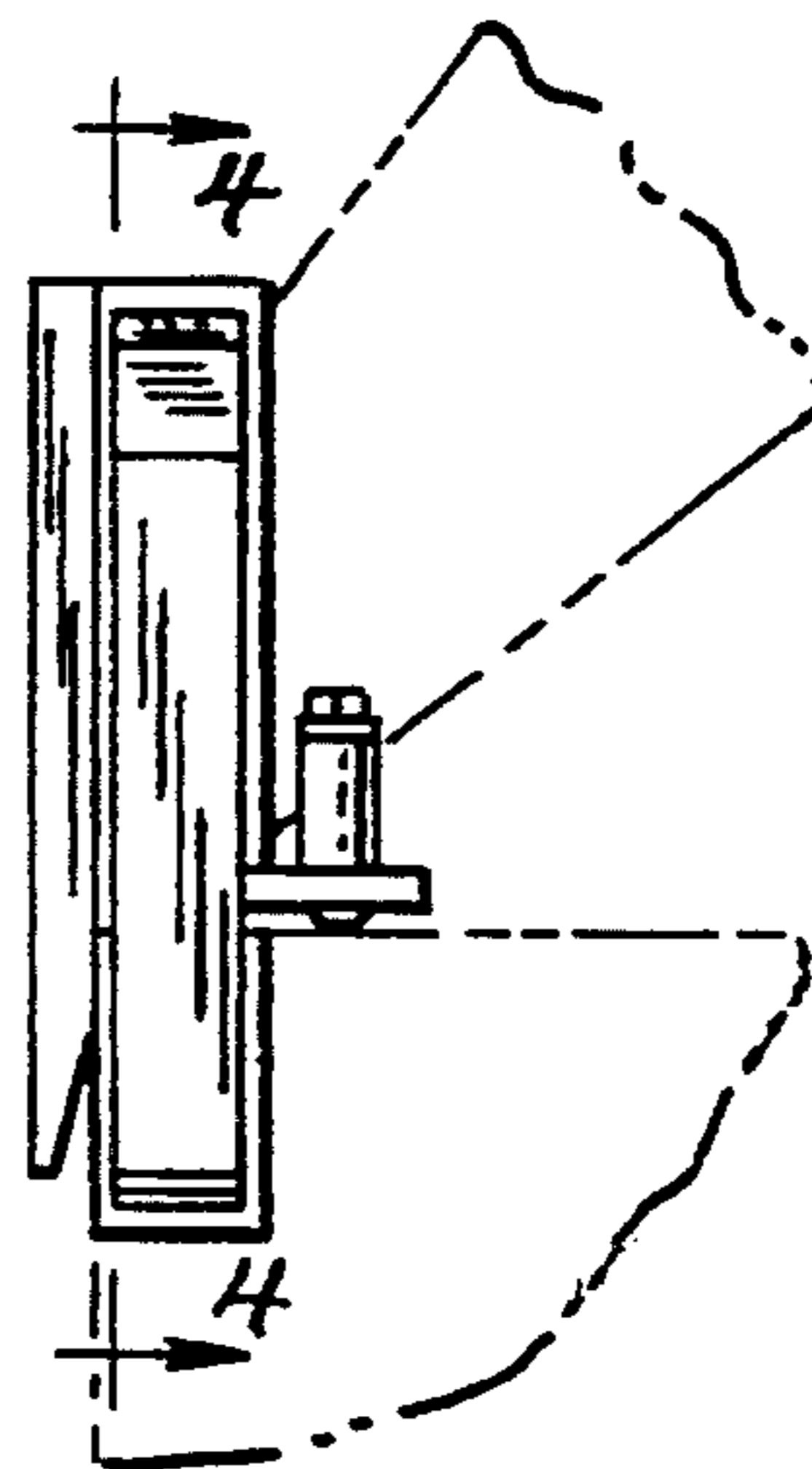


FIG. 2

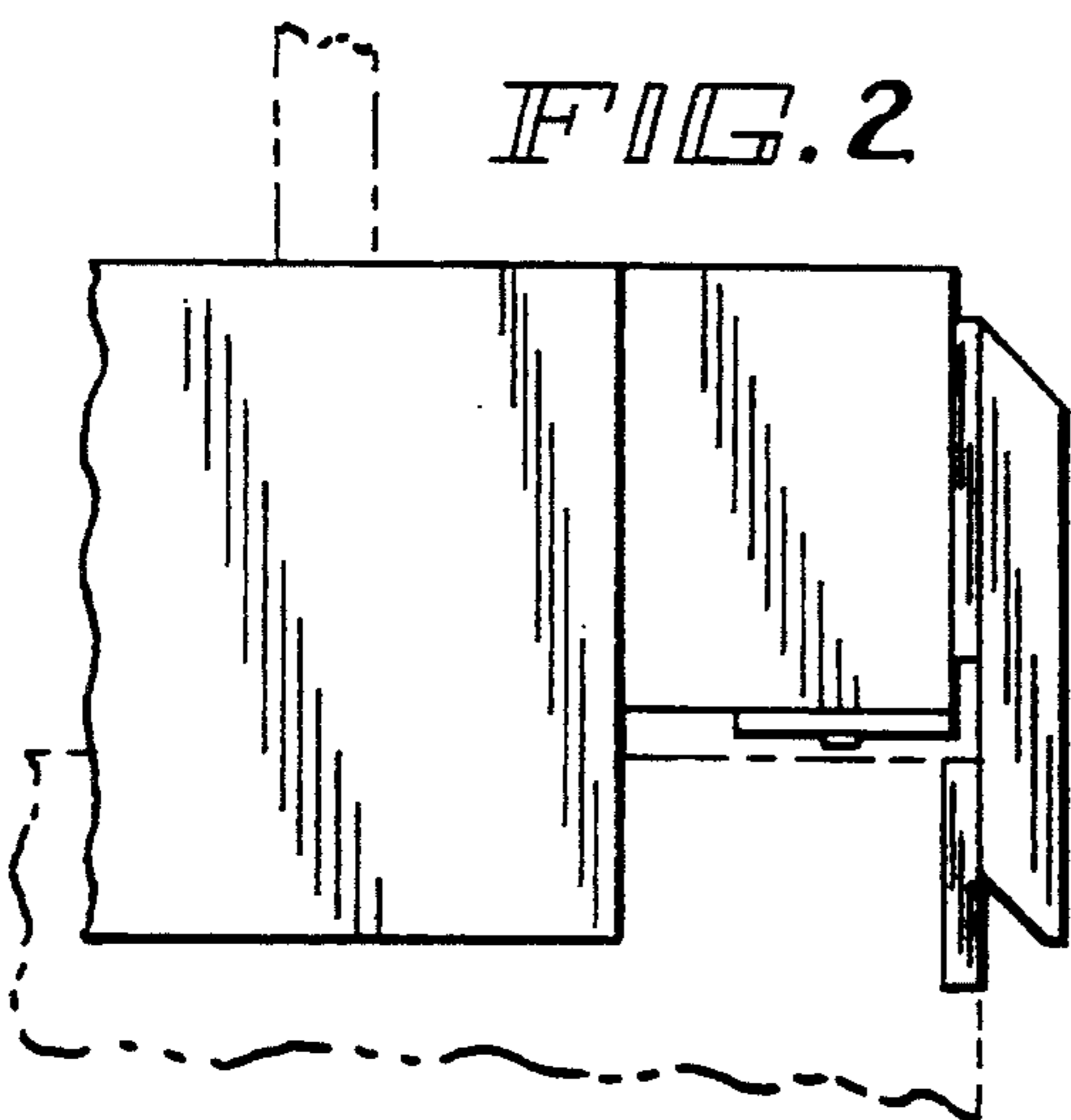


FIG. 4

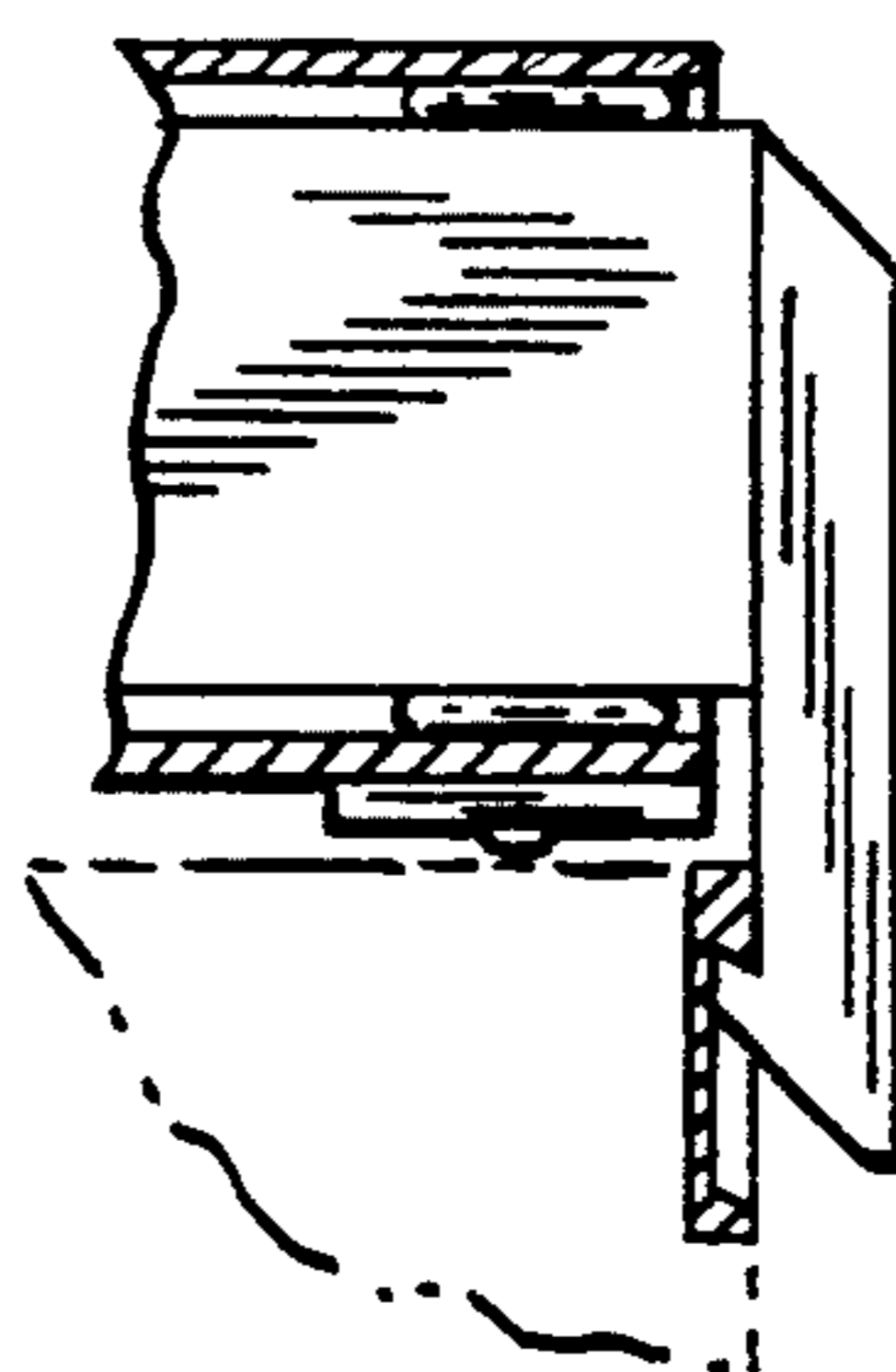


FIG. 5

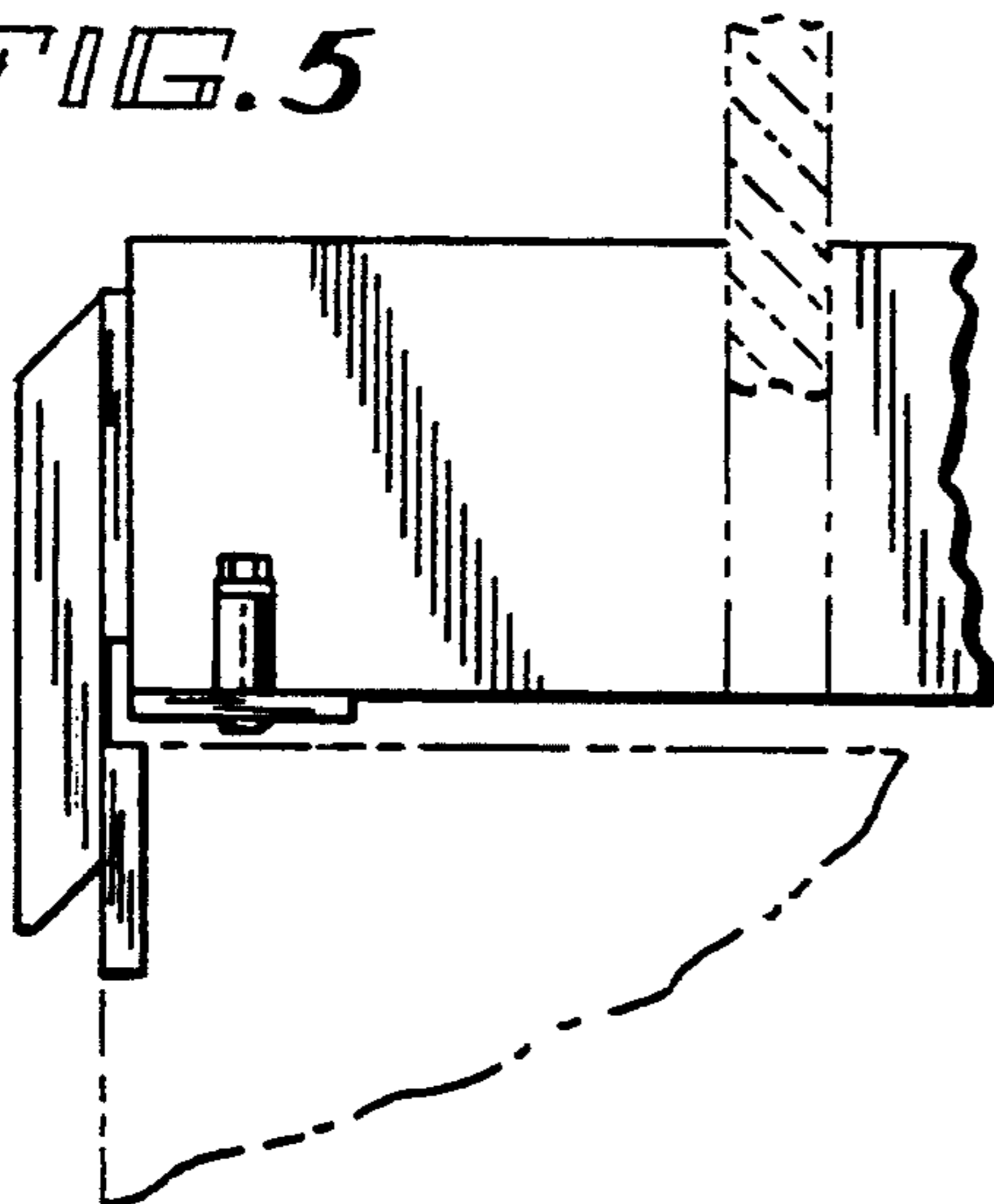


FIG. 6

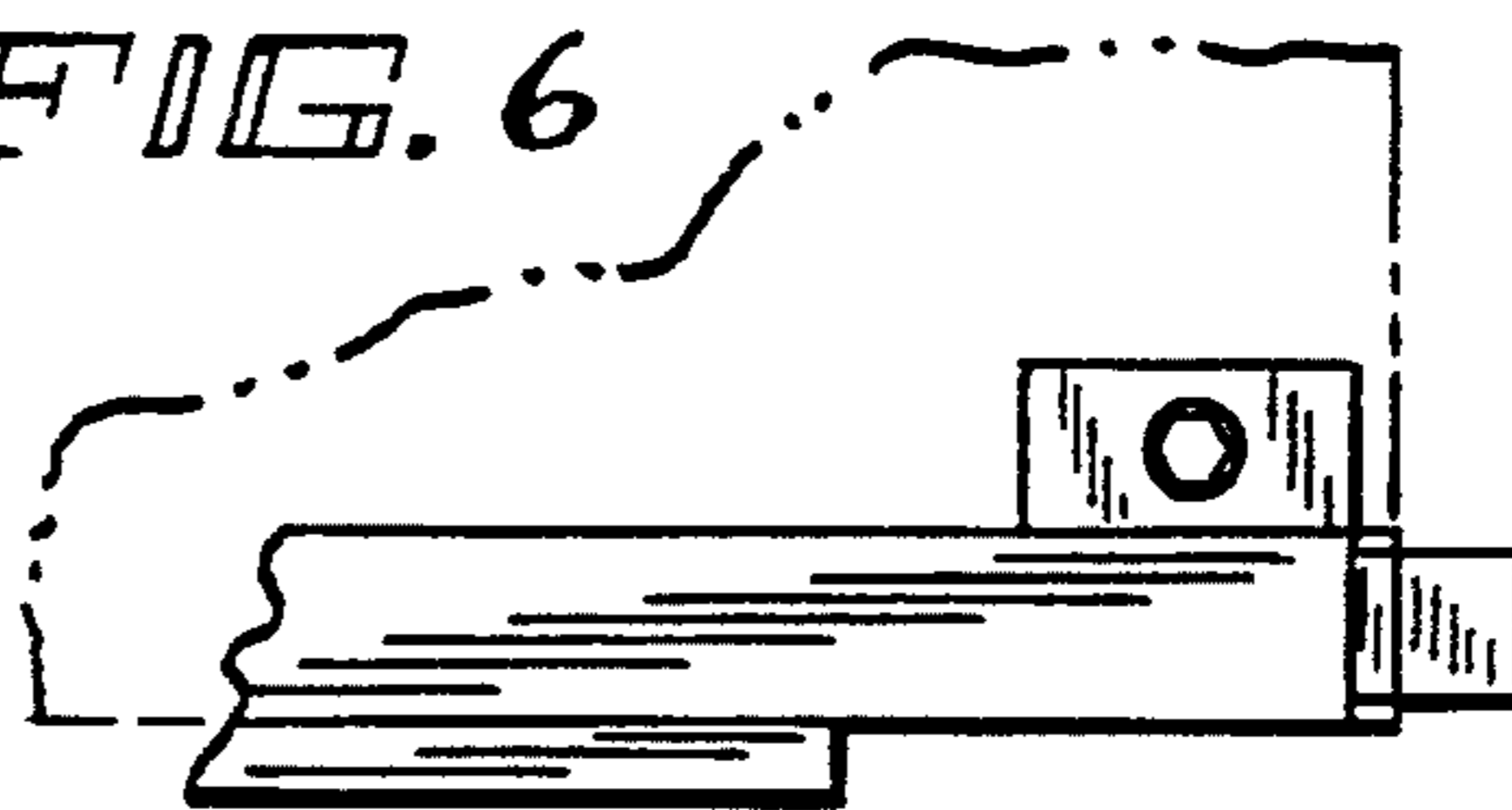


FIG. 7

