



US00D354601S

United States Patent [19]
Dunkle

[11] **Patent Number: Des. 354,601**
[45] **Date of Patent: ** Jan. 17, 1995**

- [54] **FOLDABLE HAND TRUCK ASSEMBLY**
- [75] **Inventor: Gary L. Dunkle, Wichita, Kans.**
- [73] **Assignee: Harper Trucks, Inc., Wichita, Kans.**
- [**] **Term: 14 Years**
- [21] **Appl. No.: 11,327**
- [22] **Filed: Aug. 2, 1993**
- [52] **U.S. Cl. D34/26; D34/24**
- [58] **Field of Search D34/12, 24, 25, 26;**
280/47.21, 47.28, 47.29, 47.27, 47.22, 47.26;
414/456, 446, 449

Primary Examiner—Kay H. Chin
Attorney, Agent, or Firm—Phillip A. Rein

[57] **CLAIM**

The ornamental design for a foldable hand truck assembly, as shown and described.

DESCRIPTION

FIG. 1 is a perspective view of the foldable hand truck assembly with a handle member extended and a front tow plate pivoted outwardly;
 FIG. 2 is a side elevational view thereof with the opposite side being a mirror image thereof;
 FIG. 3 is a front elevational view thereof;
 FIG. 4 is a rear elevational view thereof;
 FIG. 5 is a top plan view thereof;
 FIG. 6 is a bottom plan view thereof;
 FIG. 7 is a perspective view illustrating the foldable hand truck assembly in an extended usage position; and,
 FIG. 8 is a perspective view illustrating the foldable hand truck assembly in a compact folded condition.

- [56] **References Cited**
- U.S. PATENT DOCUMENTS**
- D. 333,543 2/1993 Rodriguez D34/24
- 2,554,091 5/1951 Davis 280/47.29
- 4,756,540 7/1988 Crawford 280/47.29

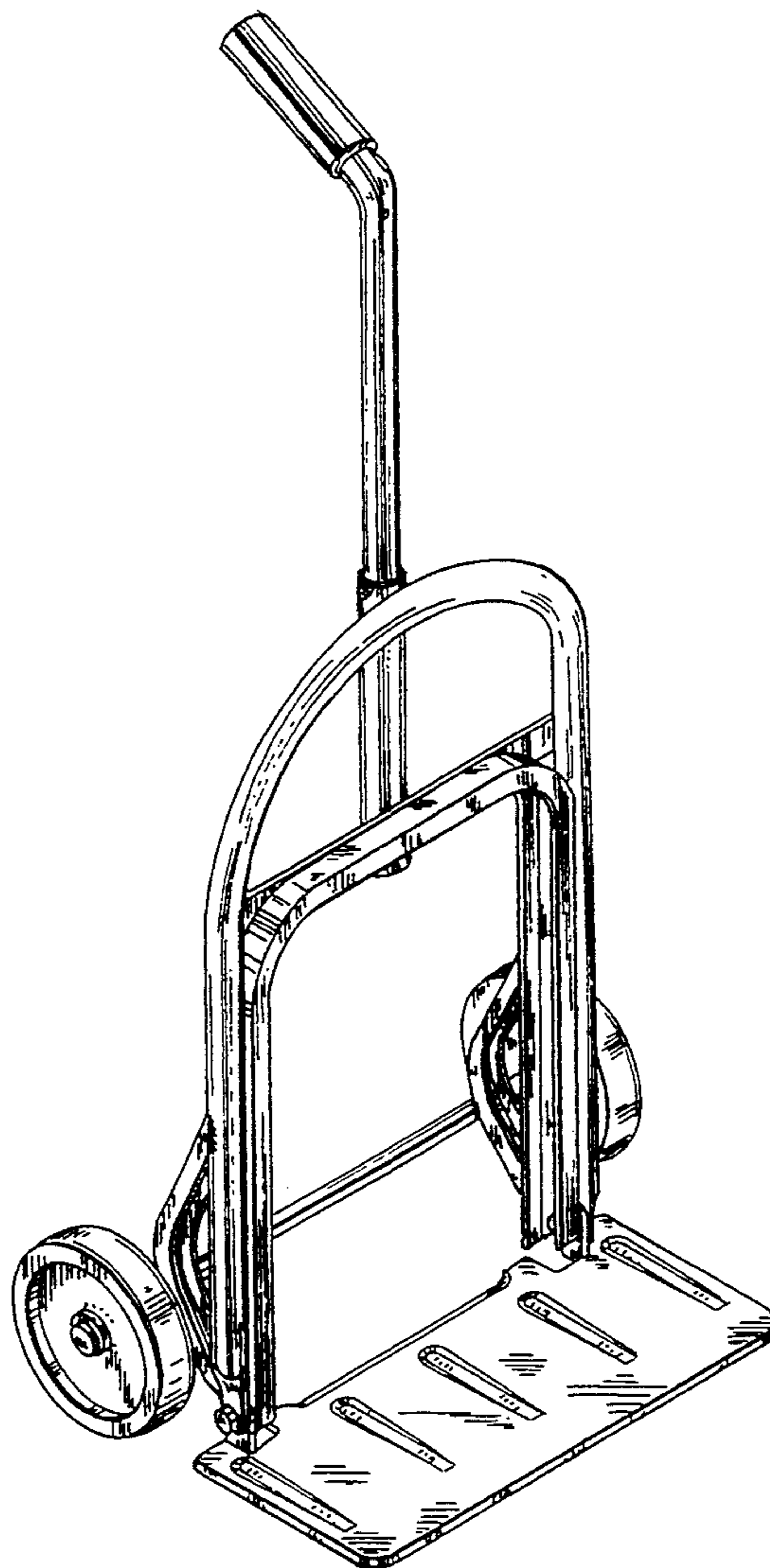
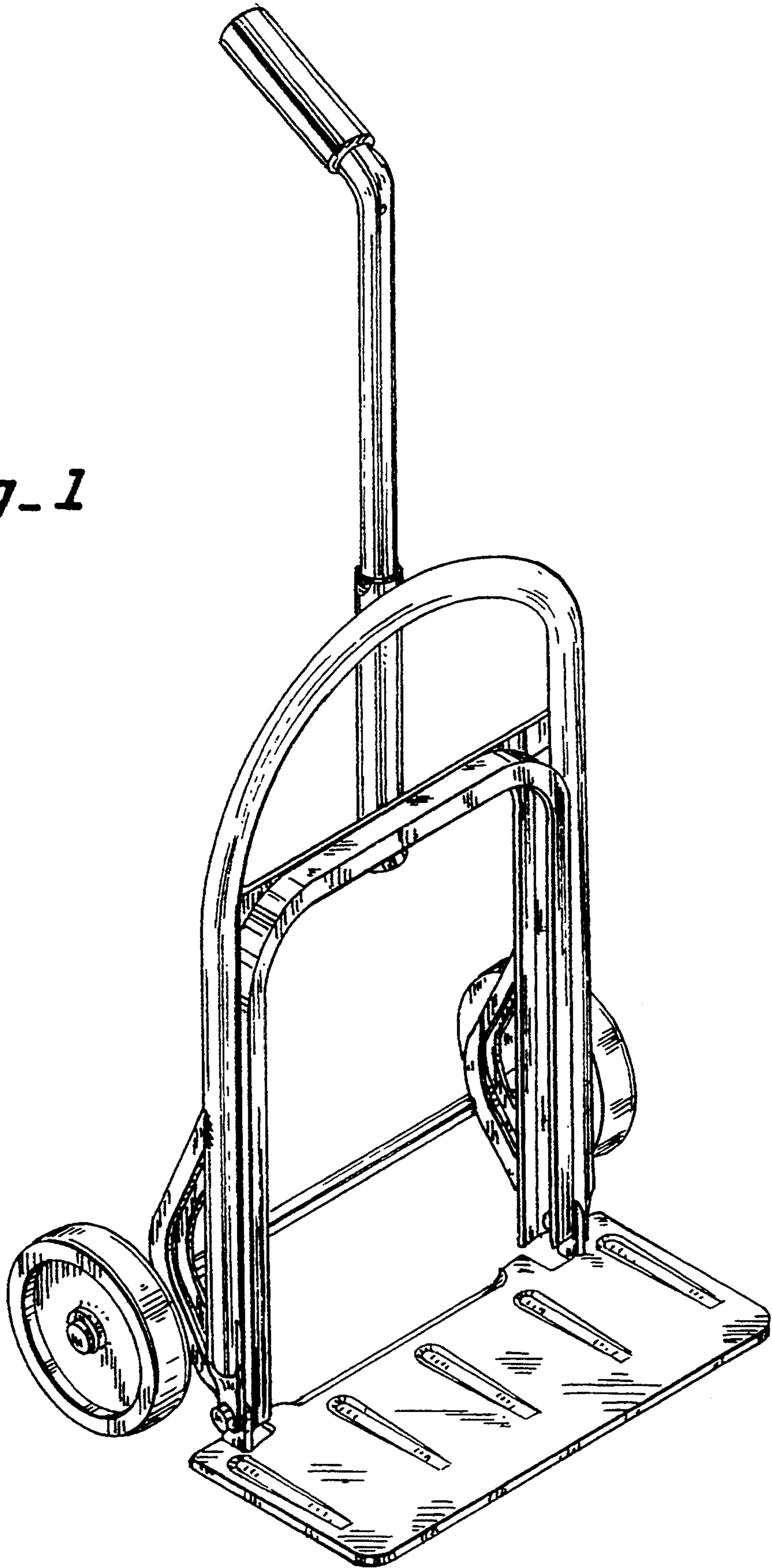


Fig. 1



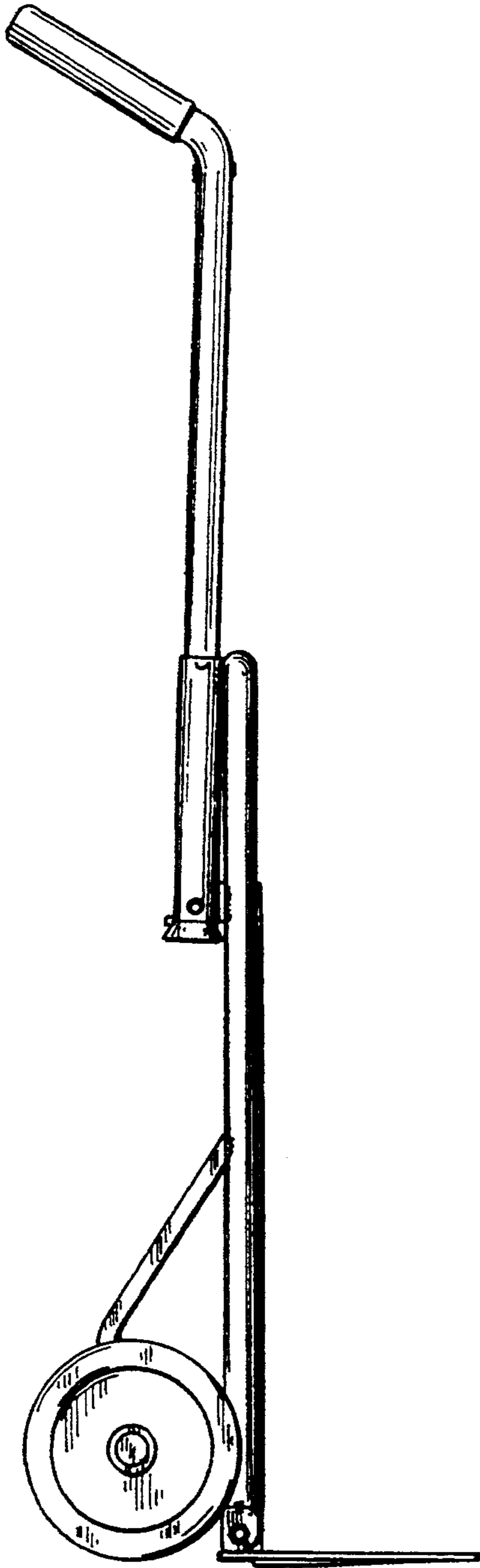


Fig-2

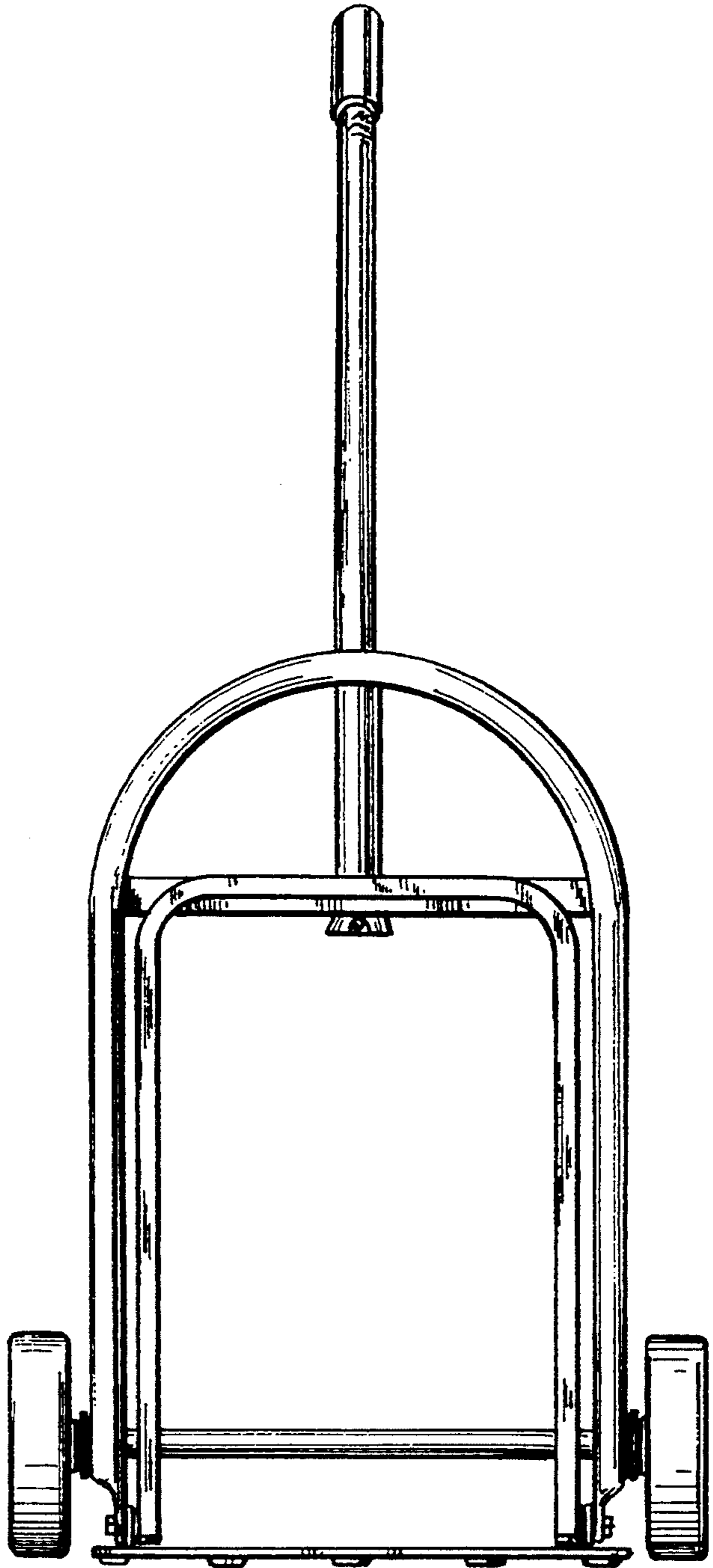
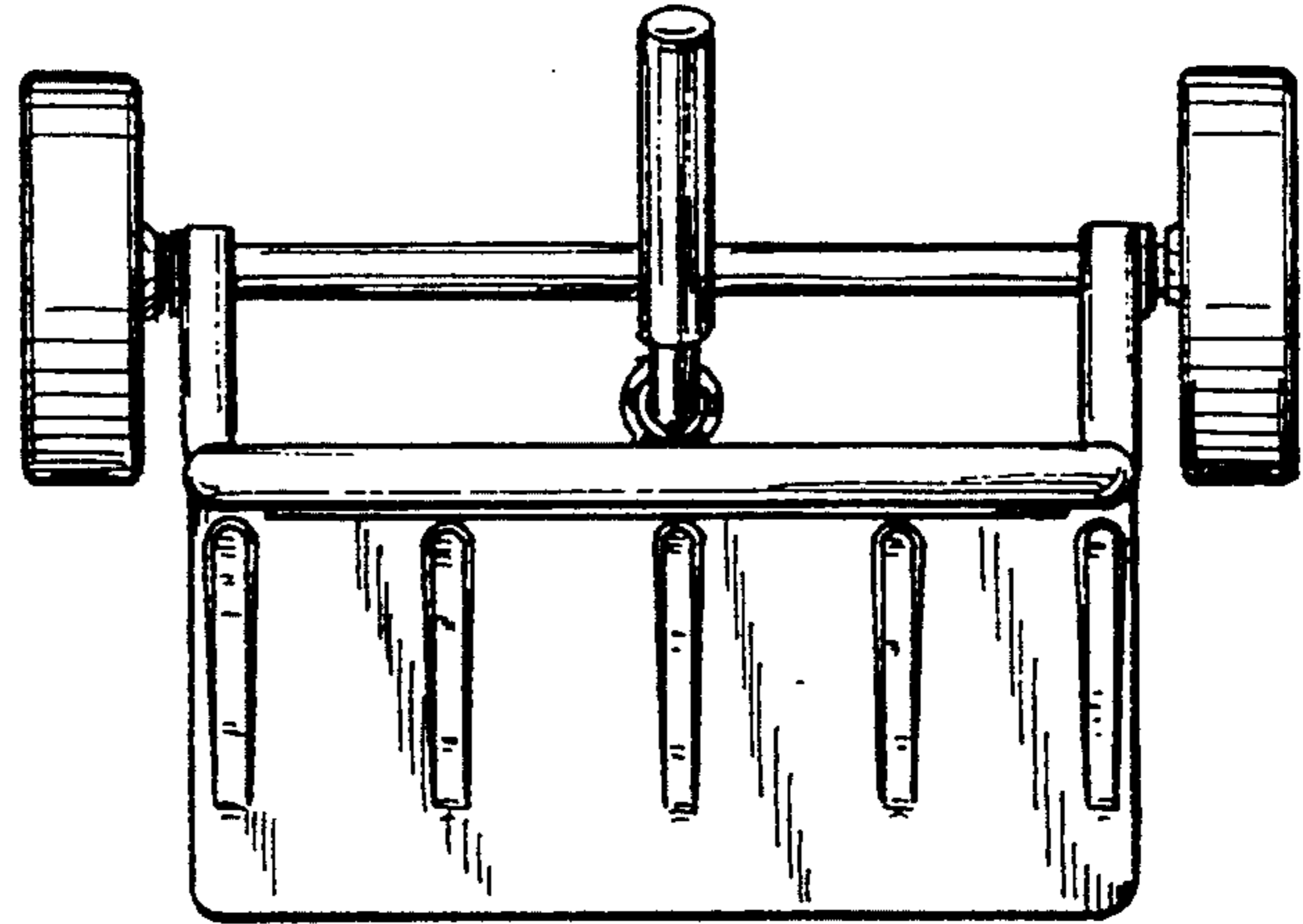
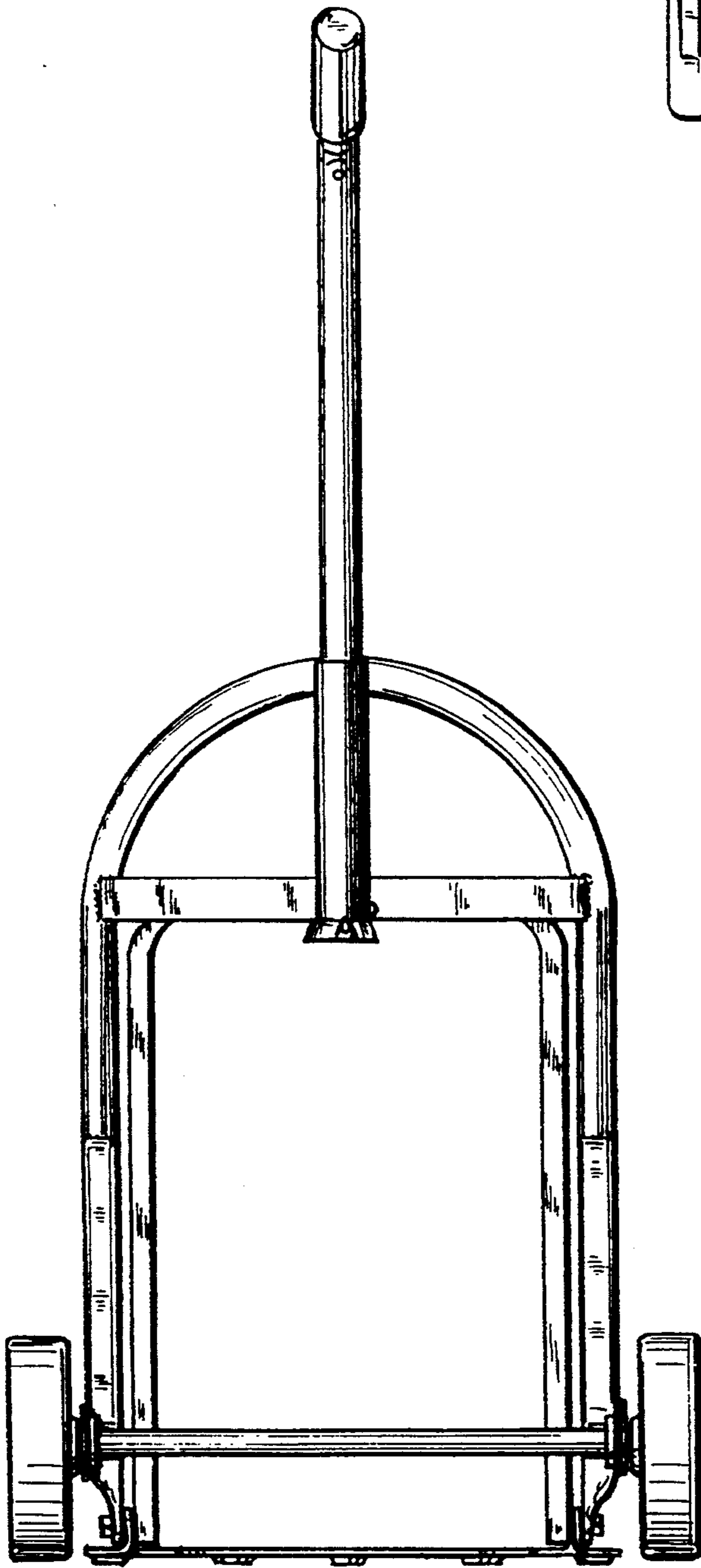


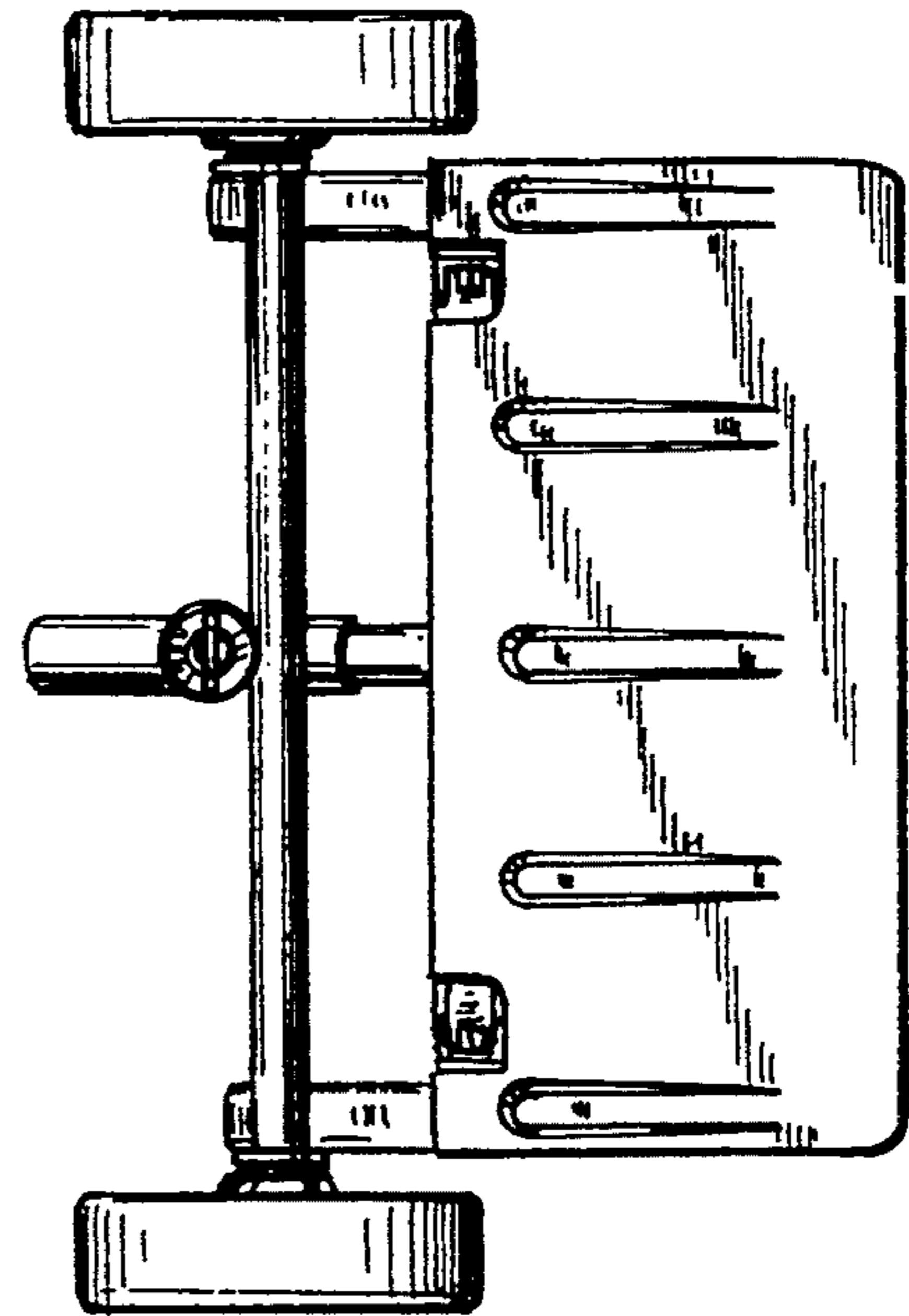
Fig-3



Fig_5



Fig_4



Fig_6

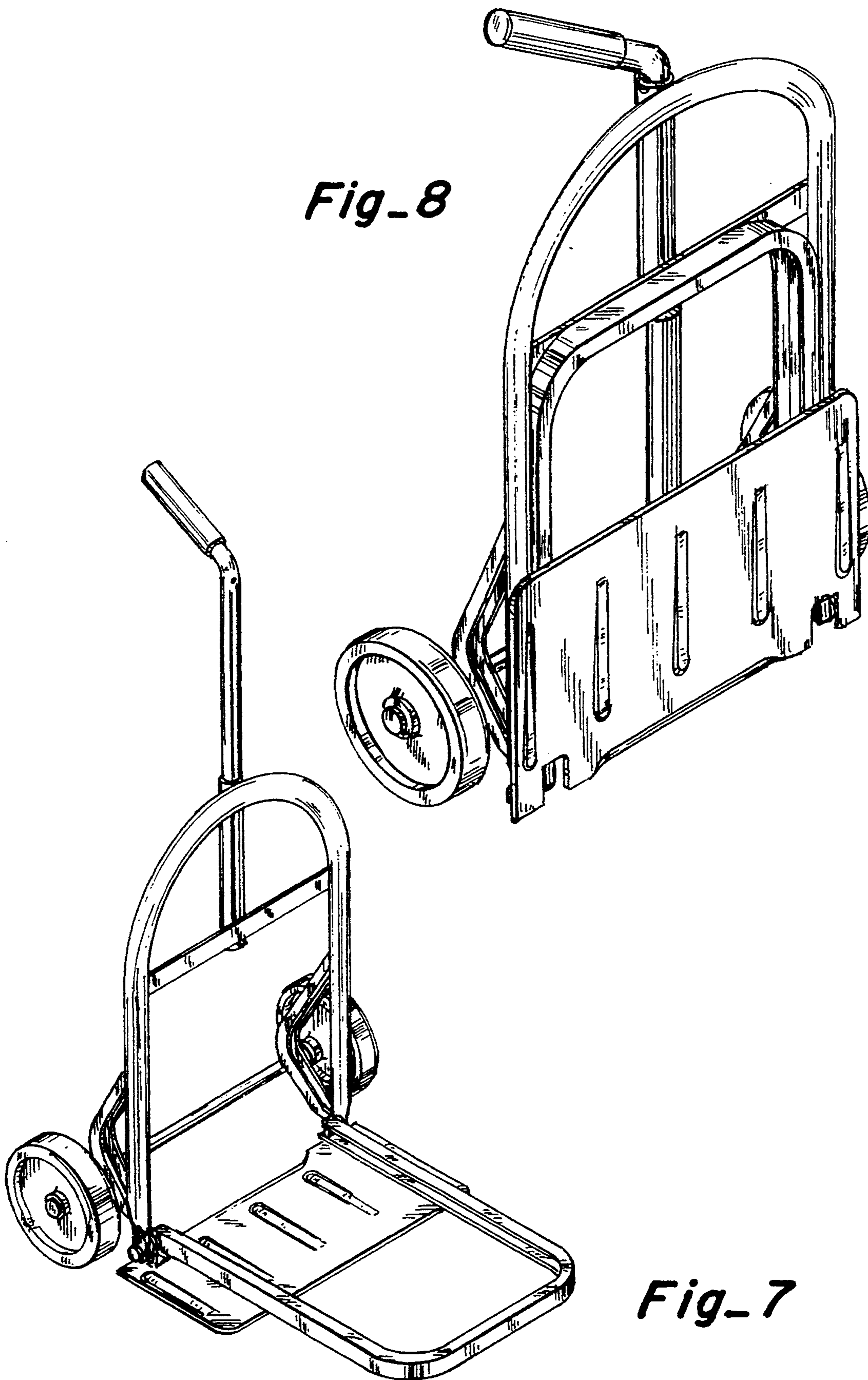


Fig-8

Fig-7