



US00D354600S

United States Patent [19]

[11] Patent Number: **Des. 354,600**

Roberts

[45] Date of Patent: **** Jan. 17, 1995**

[54] **ROLLING CART**

[76] Inventor: **Bela F. Roberts, P.O. Box 1315, Sanibel, Fla. 33957-1315**

[**] Term: **14 Years**

[21] Appl. No.: **2,580**

[22] Filed: **Dec. 21, 1992**

[52] U.S. Cl. **D34/24; D34/26**

[58] Field of Search **D34/19, 21, 24, 17, D34/12; 280/47.24, 47.19, 654, 652, 47.28, 47.27, 47.29; 248/129**

2,588,830 3/1952 Haanstad 248/129
4,537,421 8/1985 Teachout 280/47.24
5,160,154 11/1992 Seydel et al. 280/47.19

*Primary Examiner—Kay H. Chin
Attorney, Agent, or Firm—Hugh E. Smith*

[57] **CLAIM**

The ornamental design for a rolling cart, as shown and described.

DESCRIPTION

FIG. 1 is a front elevational view of the rolling cart showing my new design;
FIG. 2 is a rear elevational view thereof;
FIG. 3 is a left side elevational view thereof;
FIG. 4 is a right side elevational view thereof;
FIG. 5 is a top plan view thereof;
FIG. 6 is a bottom plan view thereof; and,
FIG. 7 is a perspective view thereof.

[56] **References Cited**

U.S. PATENT DOCUMENTS

D. 197,767 3/1964 Land D34/24
D. 231,648 5/1974 Malits D34/21
D. 321,424 11/1991 Isham D34/19
471,010 3/1892 Marshall 248/129

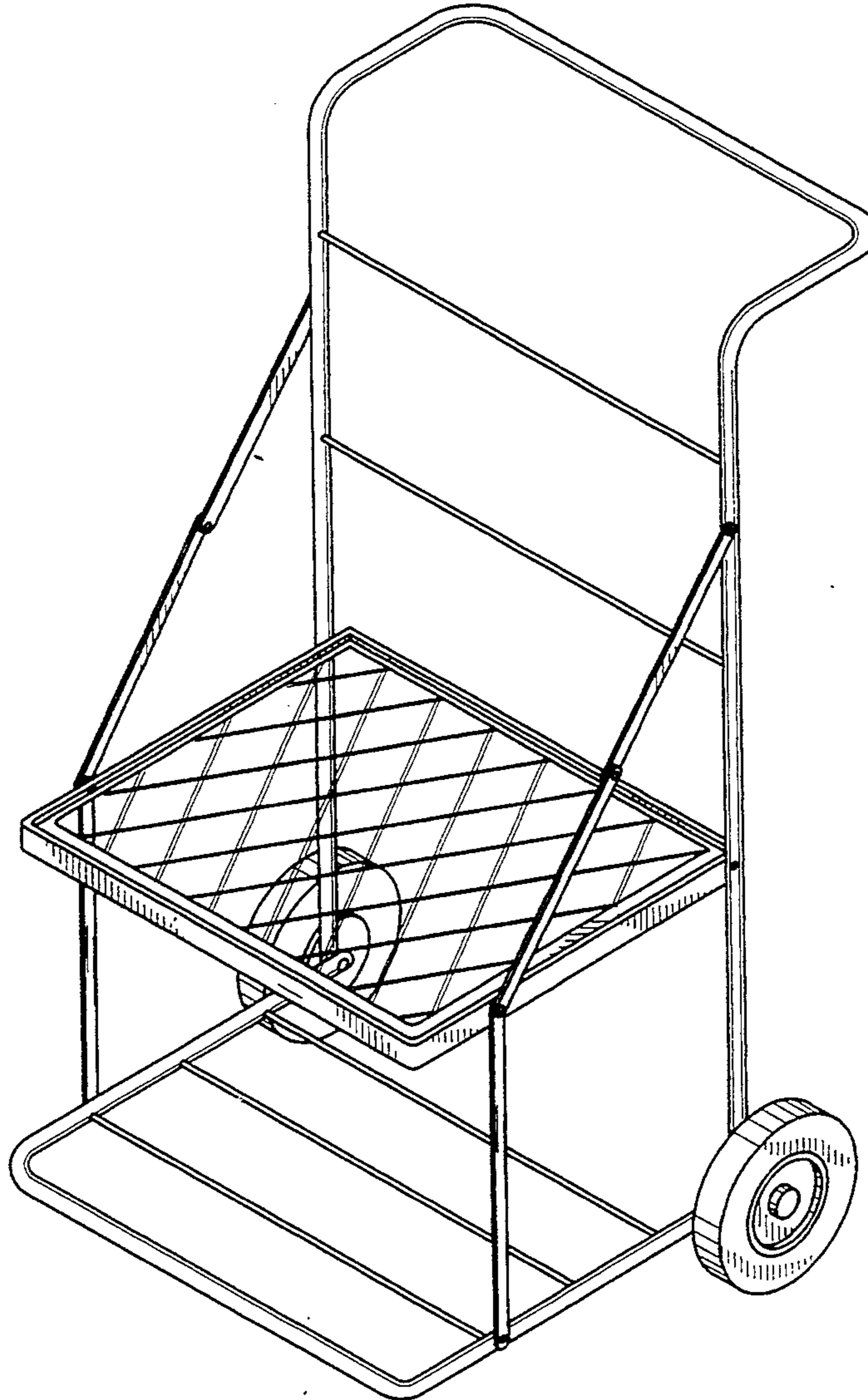


FIG. 1

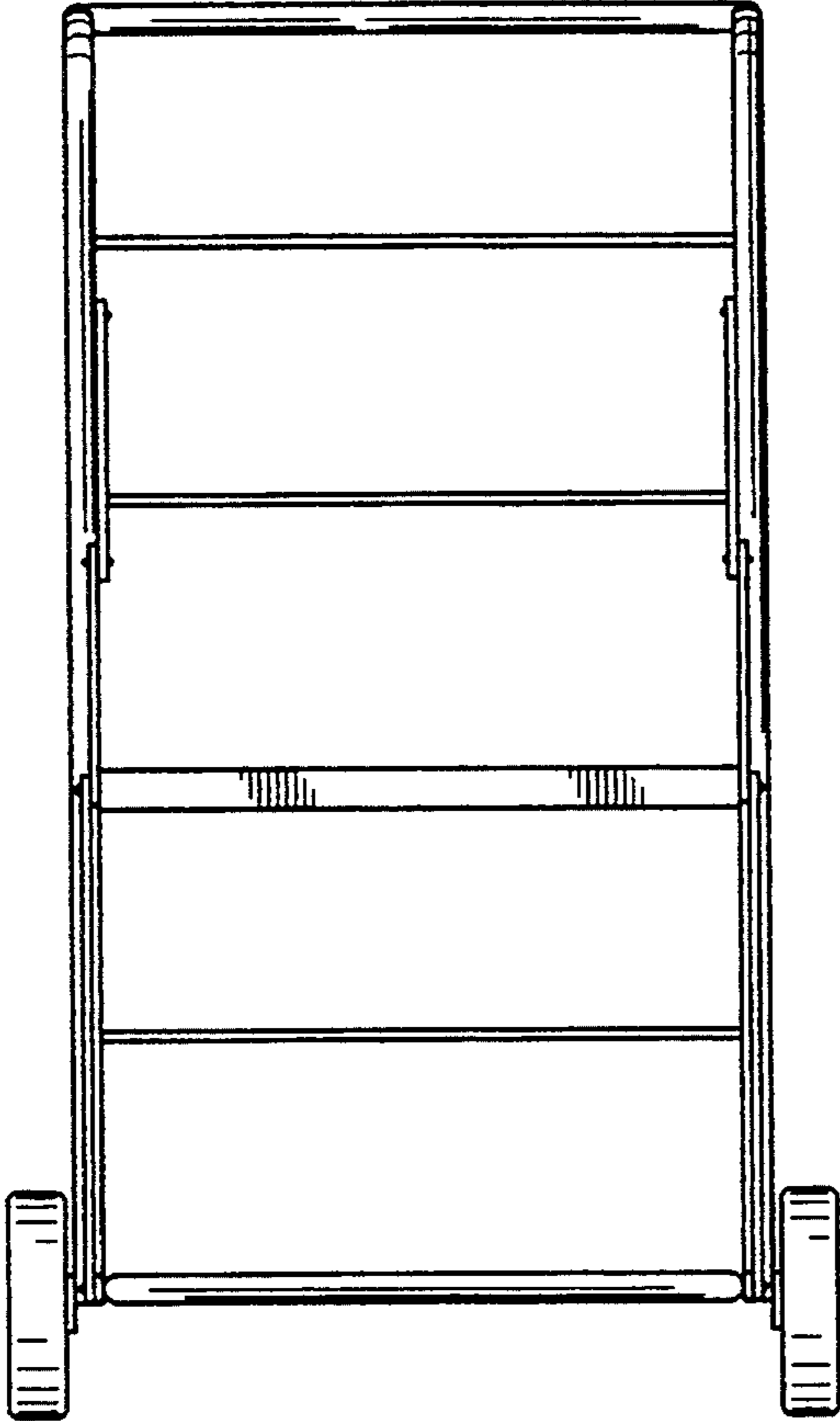


FIG. 2

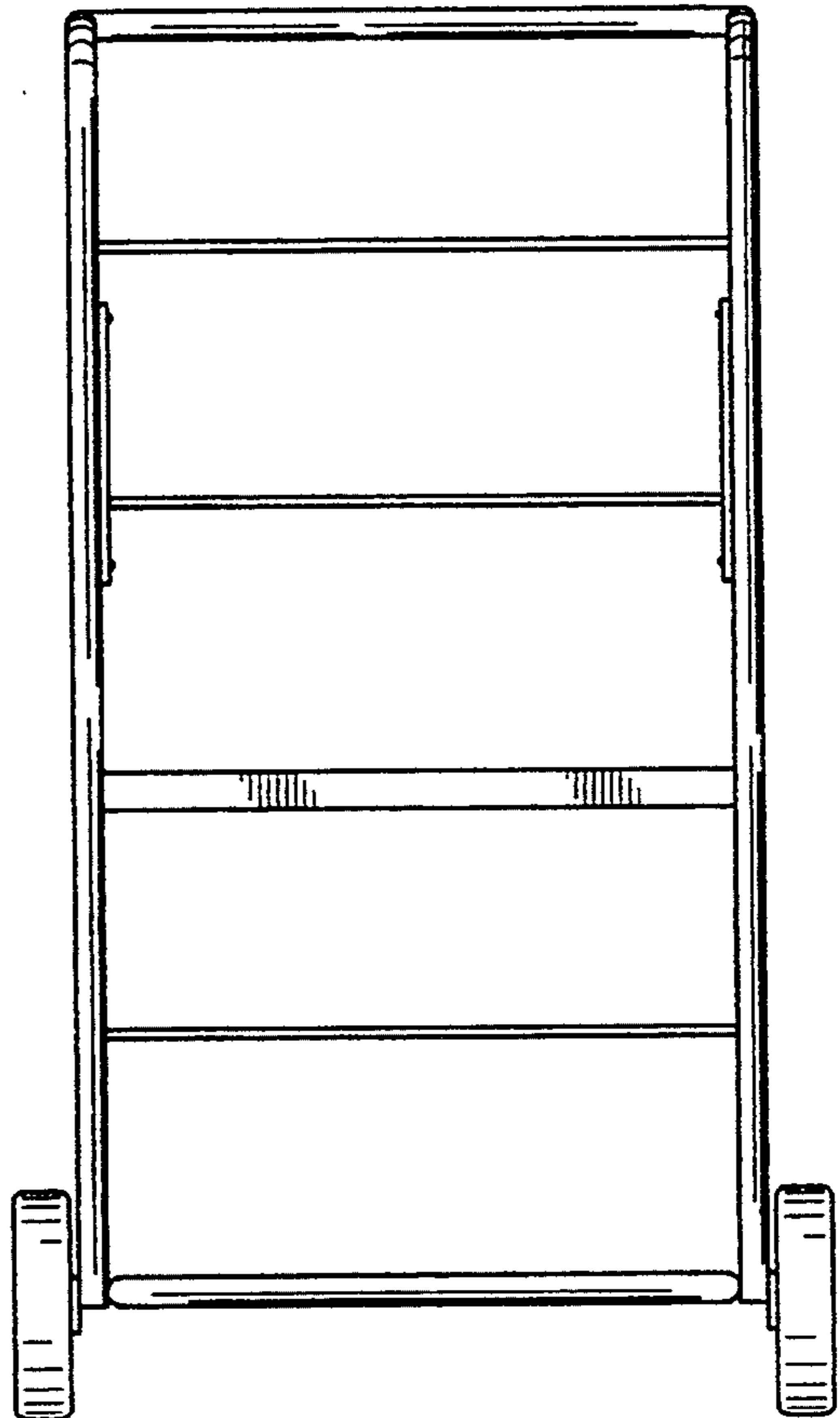


FIG. 3

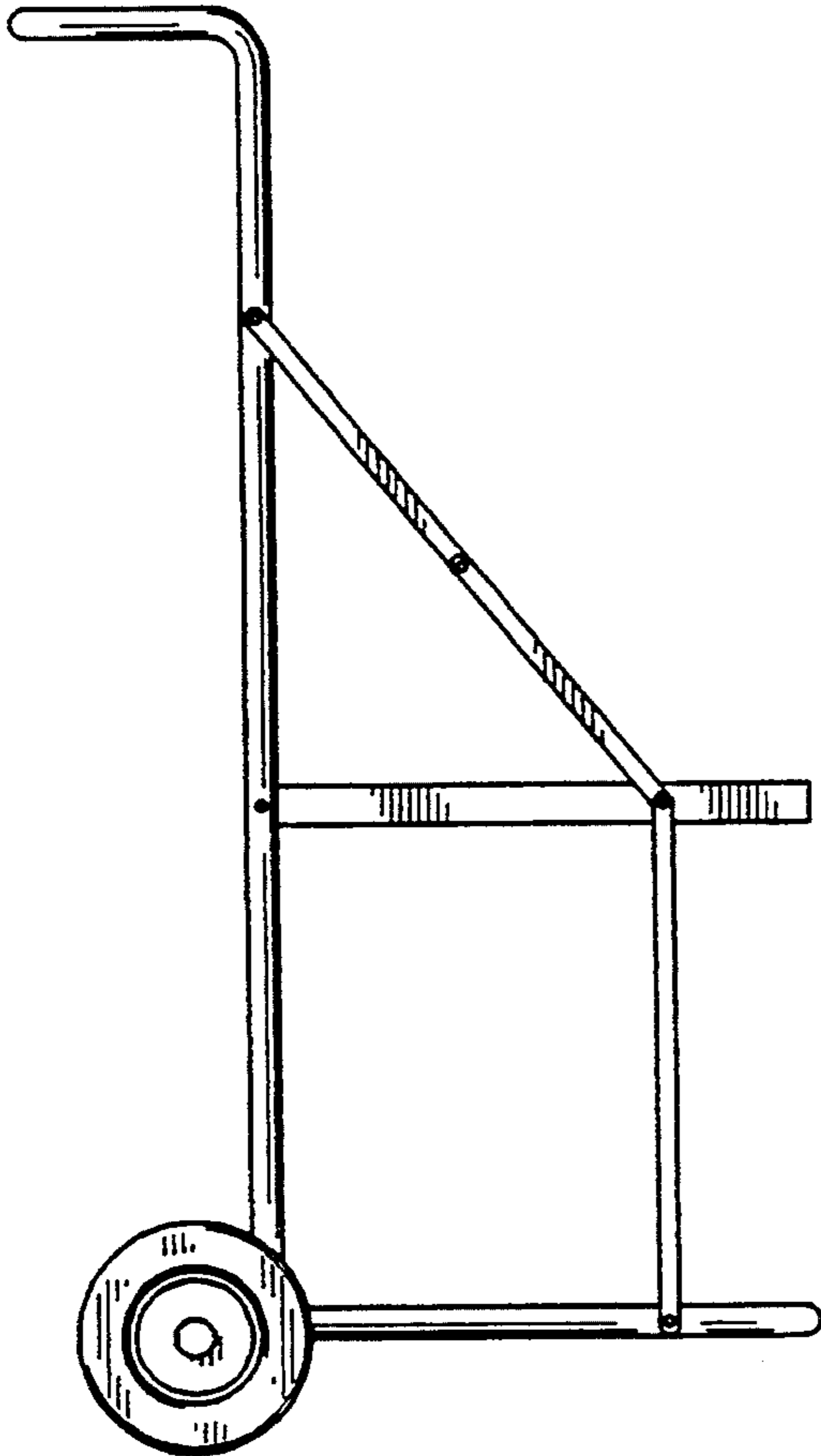


FIG. 4

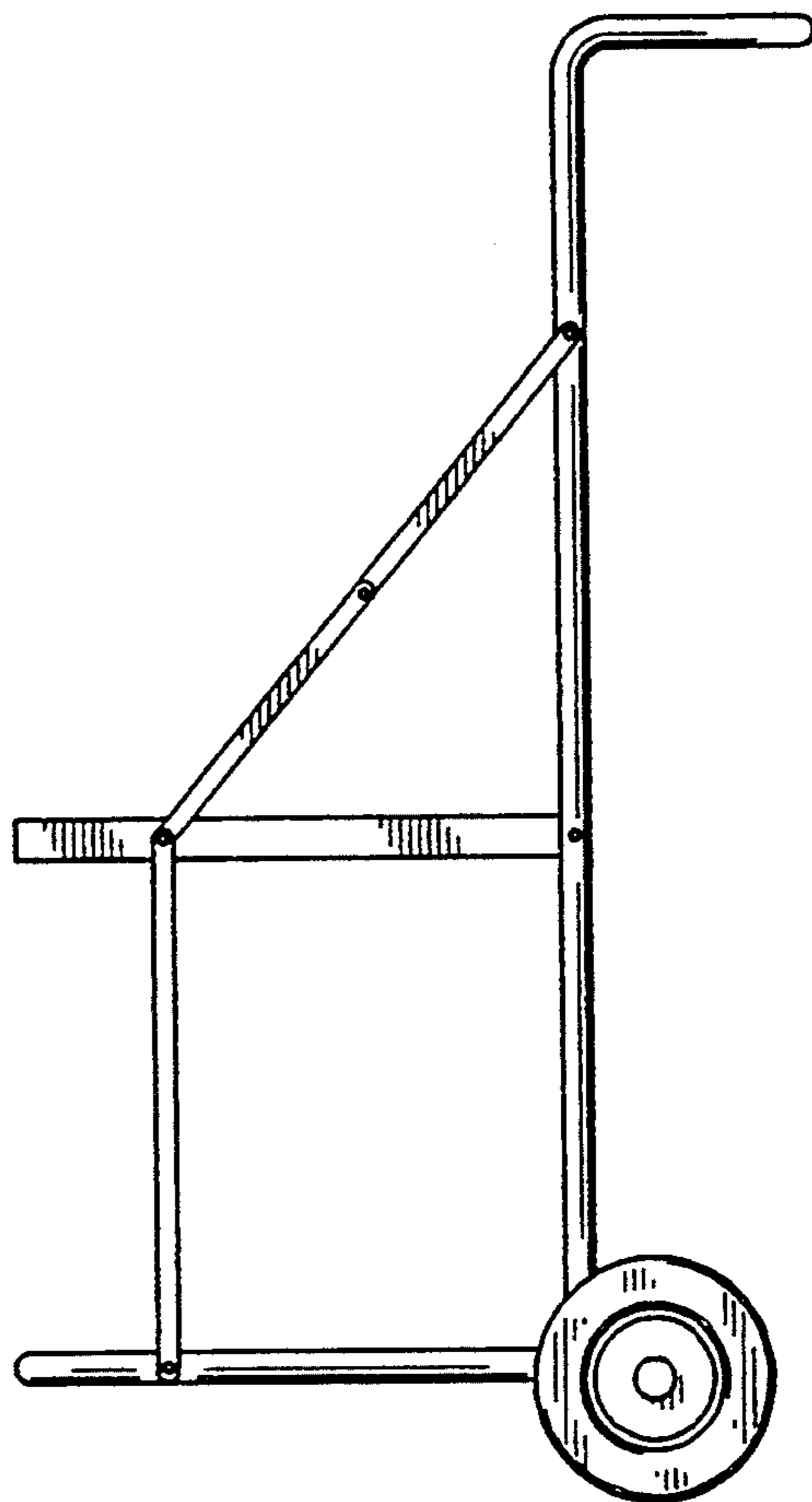


FIG. 5

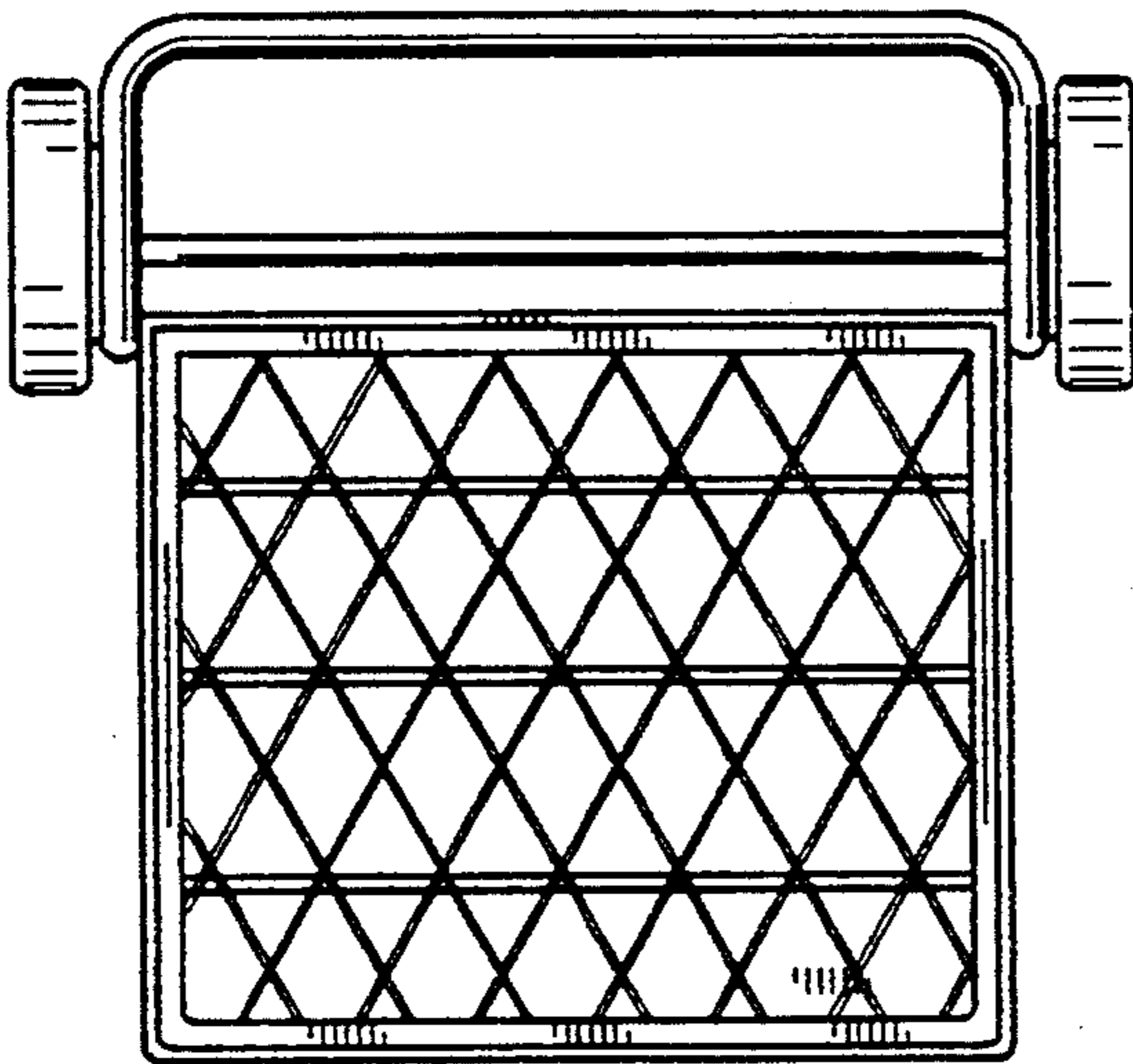


FIG. 6

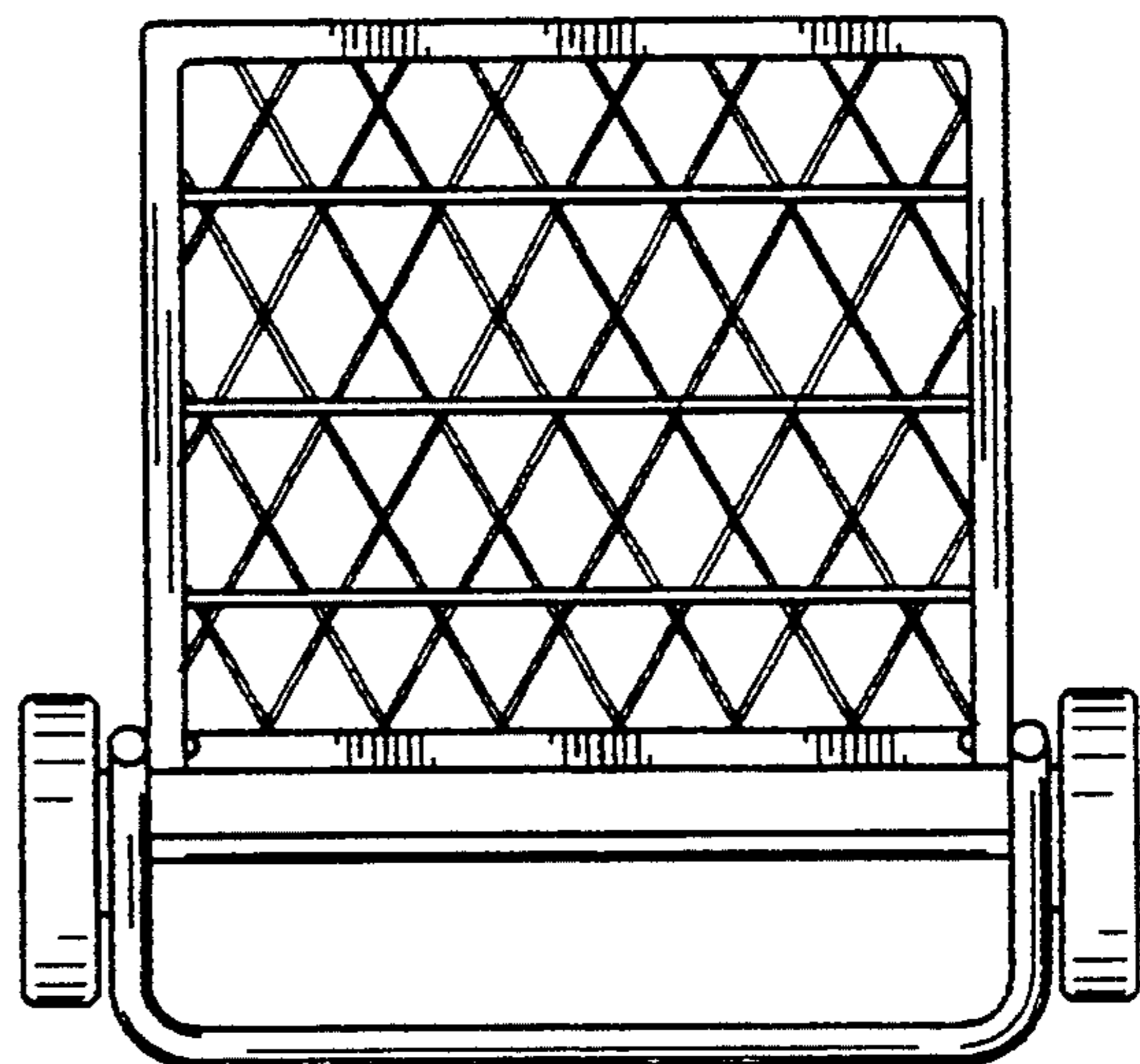


FIG. 7

