



US00D354598S

United States Patent [19]

[11] Patent Number: **Des. 354,598**

Poten et al.

[45] Date of Patent: **** Jan. 17, 1995**

[54] **COMBINED DOLLY AND RAMP FOR MOTOR VEHICLES**

[75] Inventors: **Peter-Randolf Poten, Nettersheim; Karl Steffens, Dahlem; Gunter Gebhardt, Stadtkyll, all of Germany**

[73] Assignee: **Diehl GmbH & Co., Nurnberg, Germany**

[**] Term: **14 Years**

[21] Appl. No.: **11,882**

[22] Filed: **Aug. 16, 1993**

[30] **Foreign Application Priority Data**

Feb. 17, 1993 [DE] Germany 9301392

[52] U.S. Cl. **D34/23; D34/28; D34/32**

[58] Field of Search **D34/12, 23, 32, 28; 280/79.11, 652, 638**

[56] **References Cited**

U.S. PATENT DOCUMENTS

D. 319,131 8/1991 Smeitink **D34/12**

4,127,202 11/1978 Jennings et al. **280/79.11**

4,166,638 9/1979 De Prado **280/79.11**

Primary Examiner—Kay H. Chin
Attorney, Agent, or Firm—Scully, Scott, Murphy & Presser

[57] **CLAIM**

The ornamental design for a combined dolly and ramp for motor vehicles, as shown and described.

DESCRIPTION

FIG. 1 is a top and side perspective view of a combined dolly and ramp for motor vehicles showing our new design, the ramp section has been omitted for clarity of illustration;

FIG. 2 is a top plan view of FIG. 1, a portion of the strap is shown broken away for convenience of illustration;

FIG. 3 is a side elevational view of FIG. 2, the opposite elevational view being a mirror image of that shown;

FIG. 4 is a bottom plan view of FIG. 2;

FIG. 5 is a rear elevational view of FIG. 2;

FIG. 6 is a front elevational view of FIG. 2;

FIG. 7 is a top perspective view of the ramp section thereof;

FIG. 8 is a rear elevational view of FIG. 7;

FIG. 9 is a front elevational view of FIG. 7;

FIG. 10 is a top plan view of FIG. 7;

FIG. 11 is a side elevational view of FIG. 7, the opposite side elevational view being a mirror image of that shown;

FIG. 12 is a top plan view of FIG. 7;

FIG. 13 is a top and side perspective view of the combined dolly and ramp for motor vehicles, the ramp section shown positioned in the wheel well of the dolly; and,

FIG. 14 is a top and side perspective view thereof showing the ramp portion in an extended operative condition.

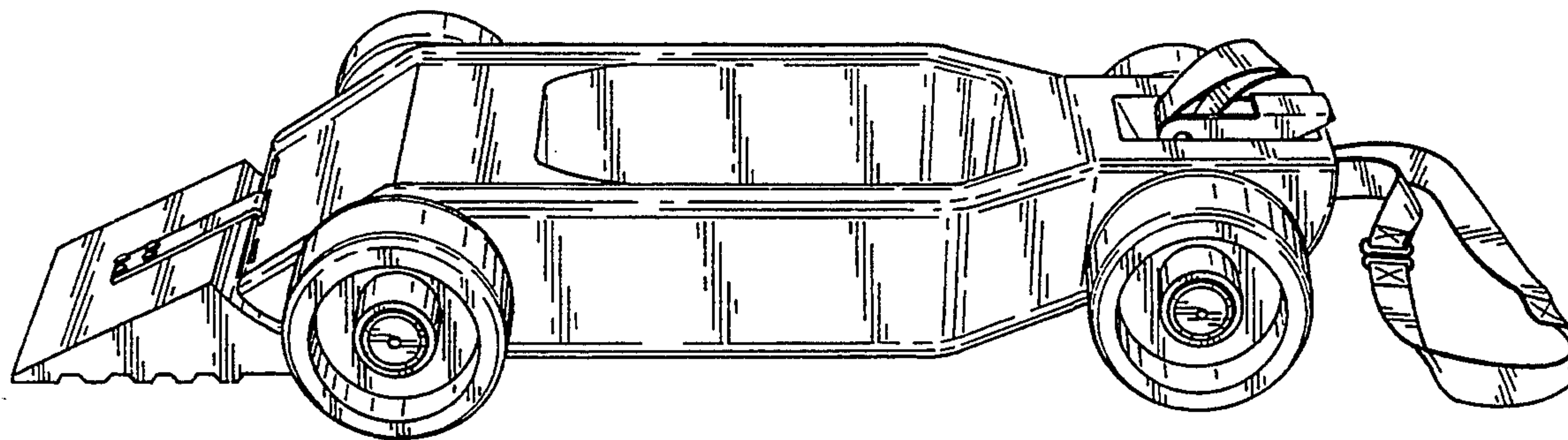
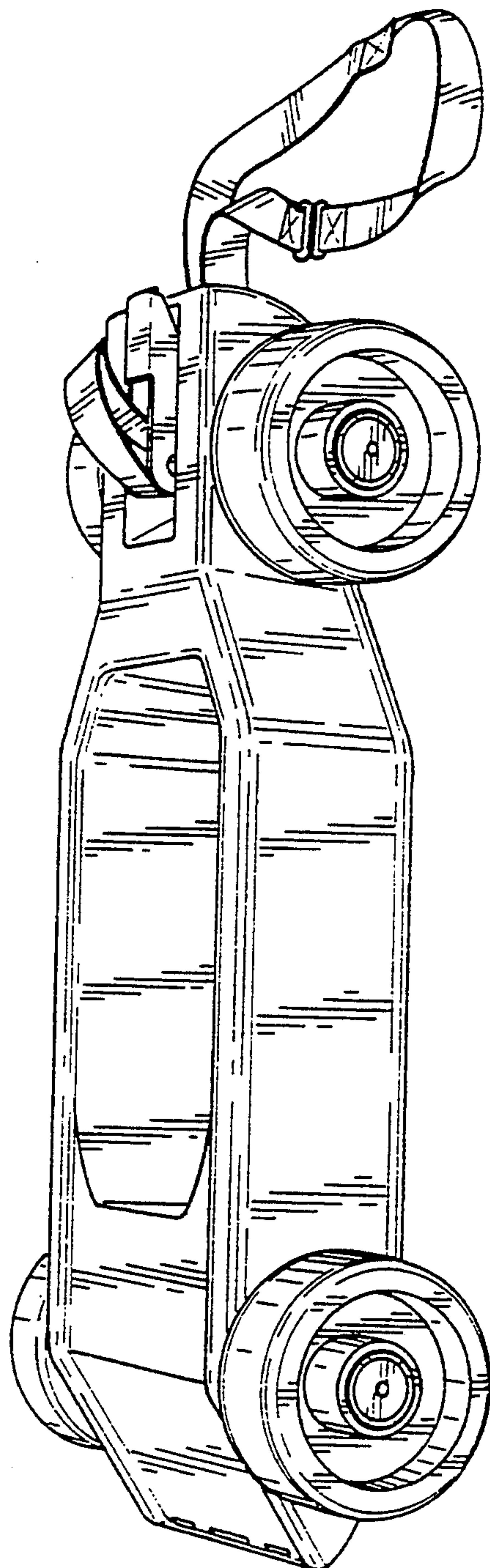


FIG. 1



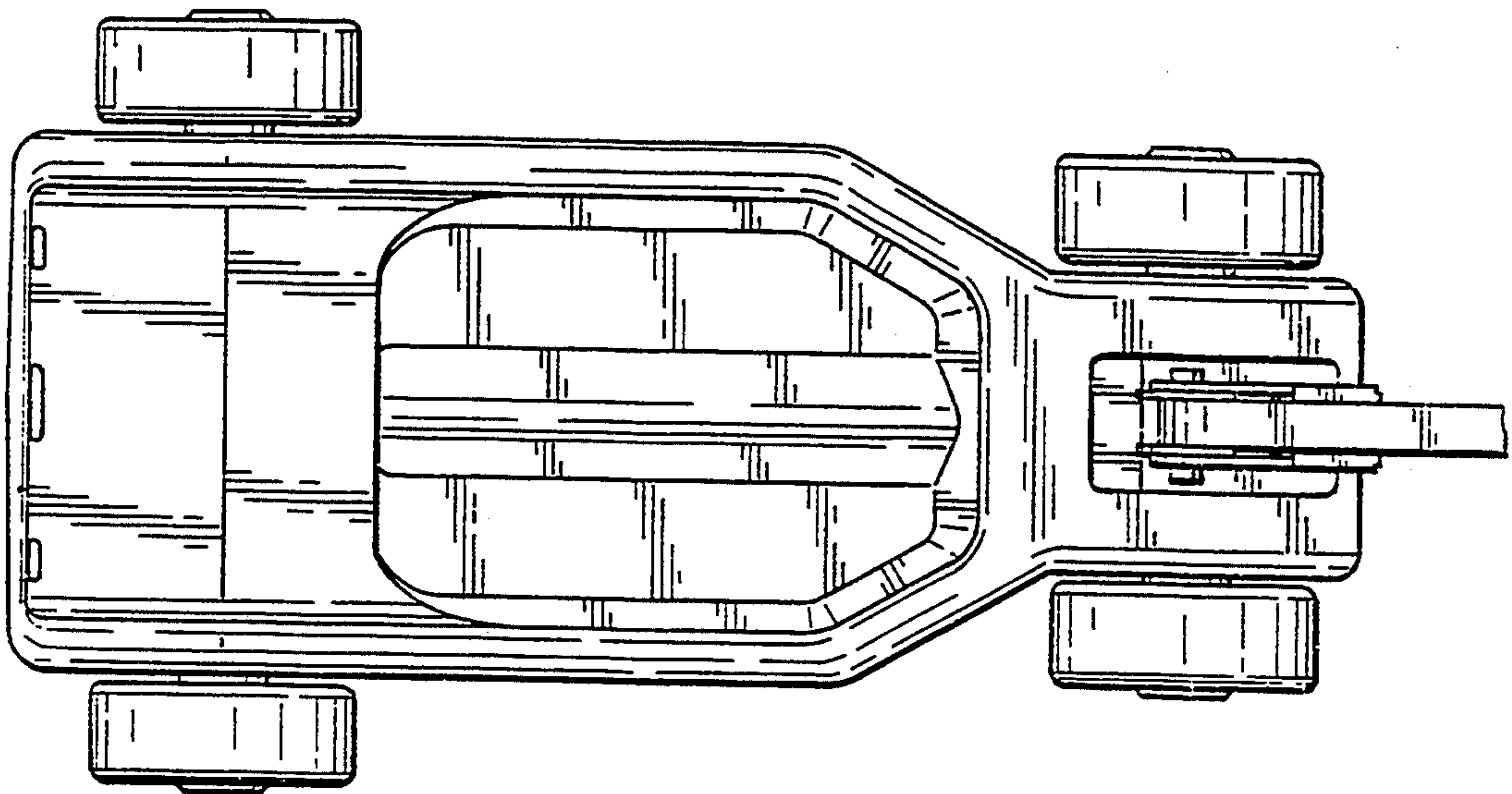


FIG. 2

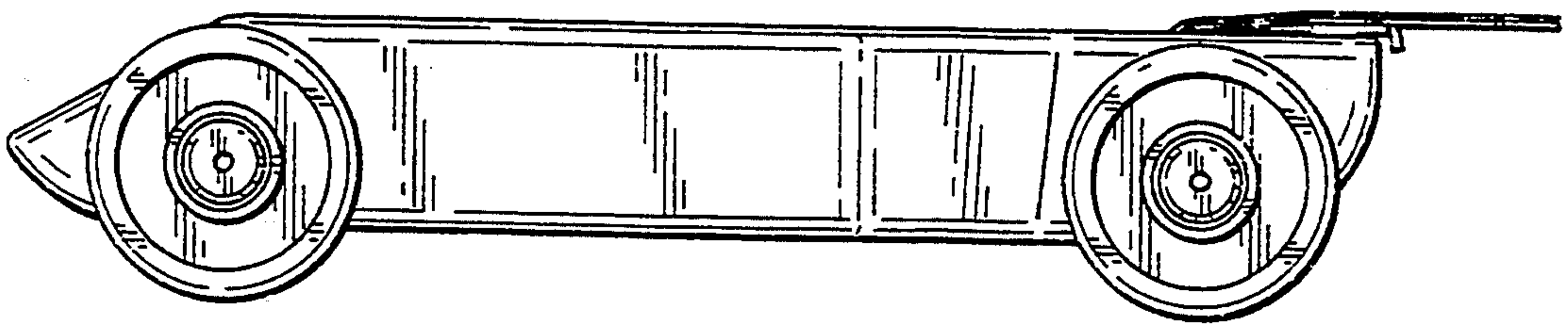


FIG. 3

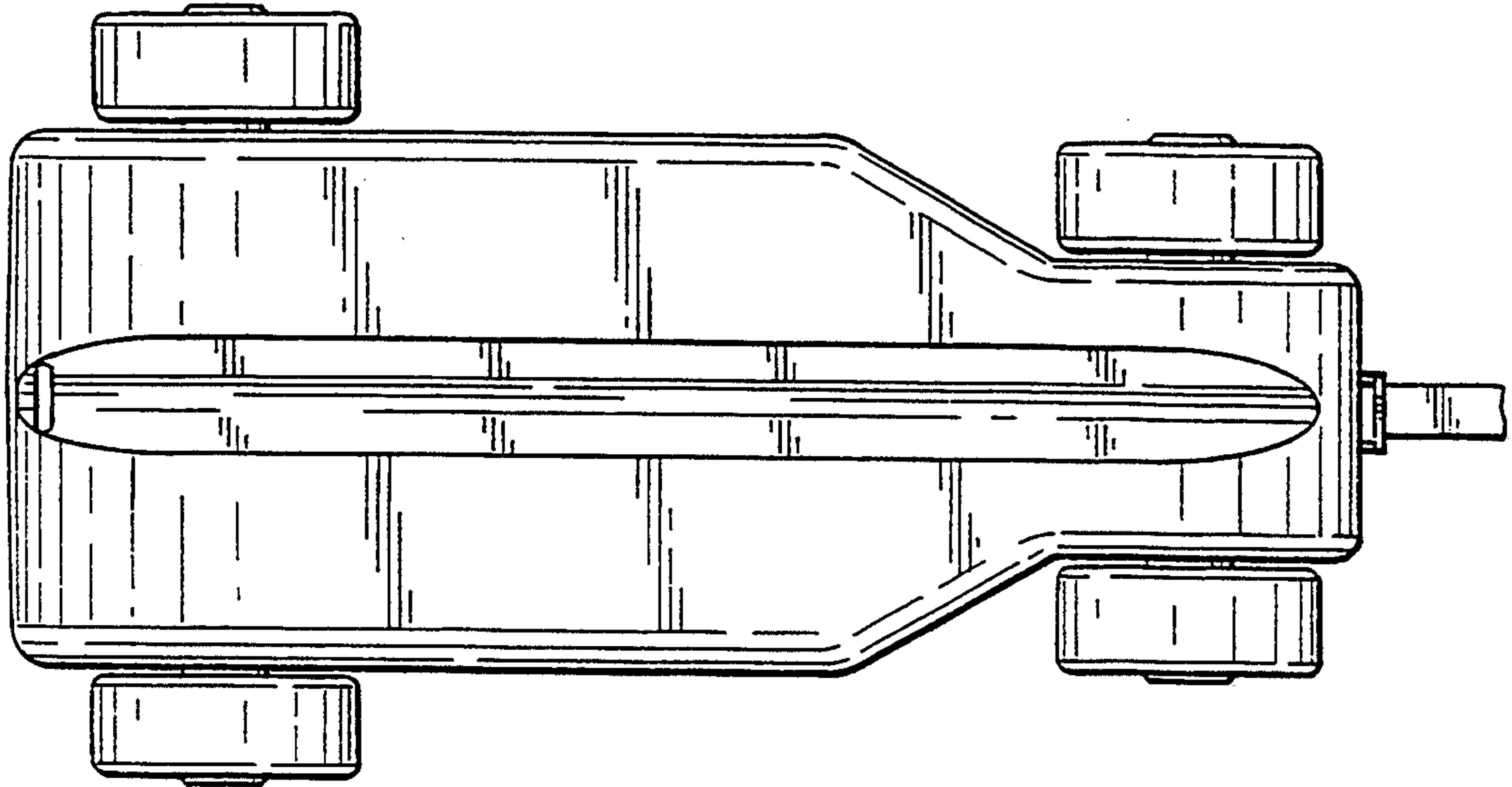


FIG. 4

FIG. 5

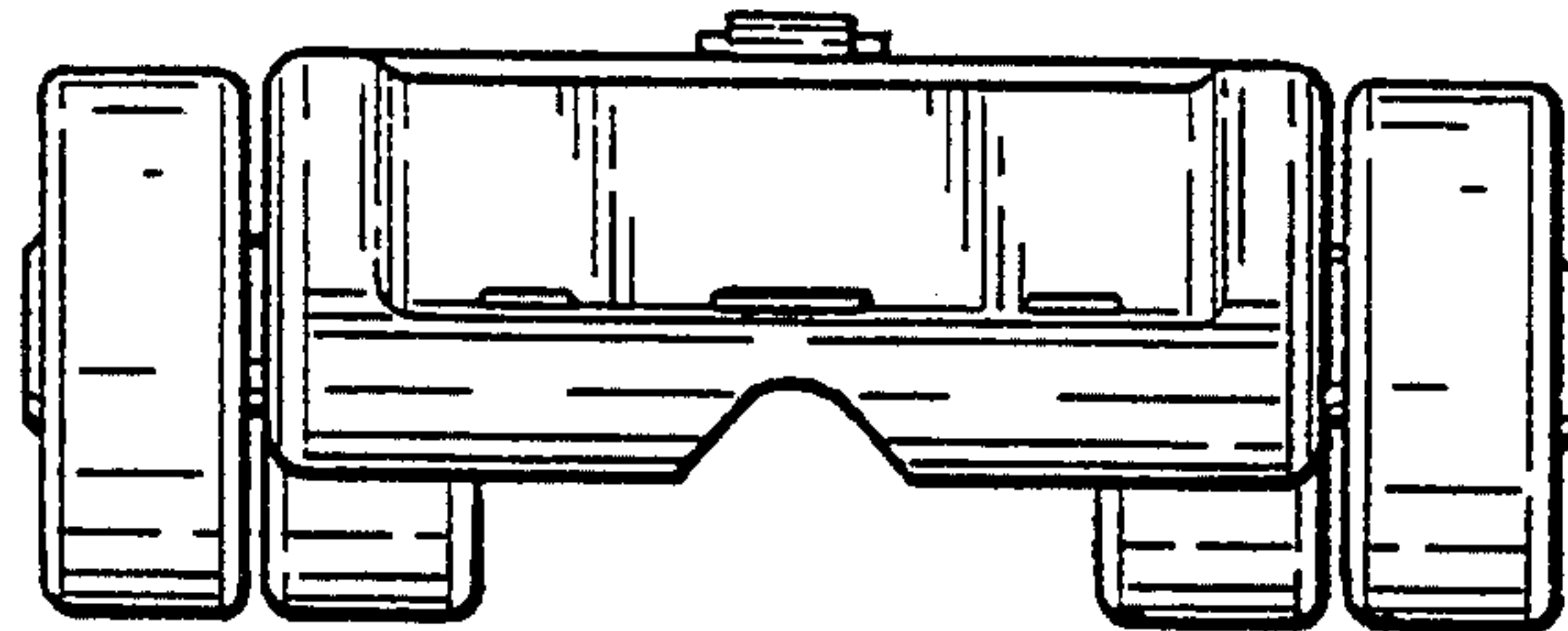
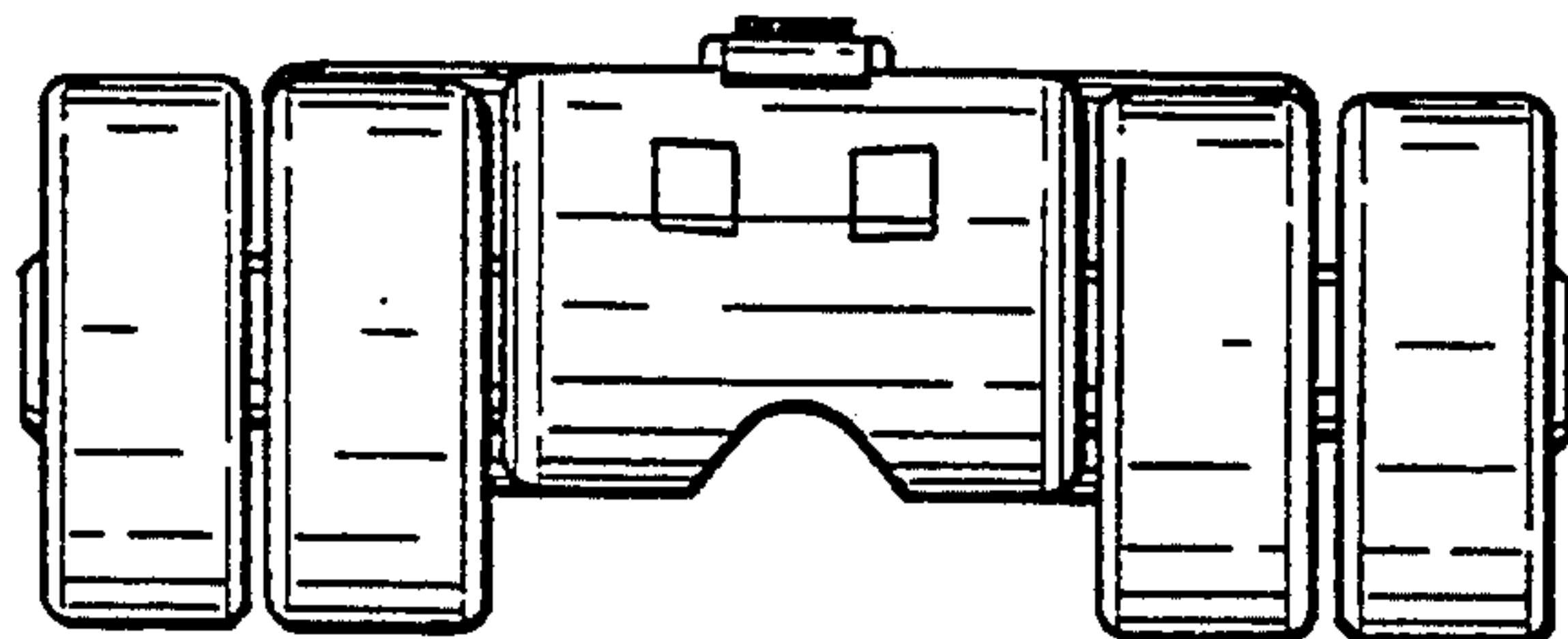


FIG. 6



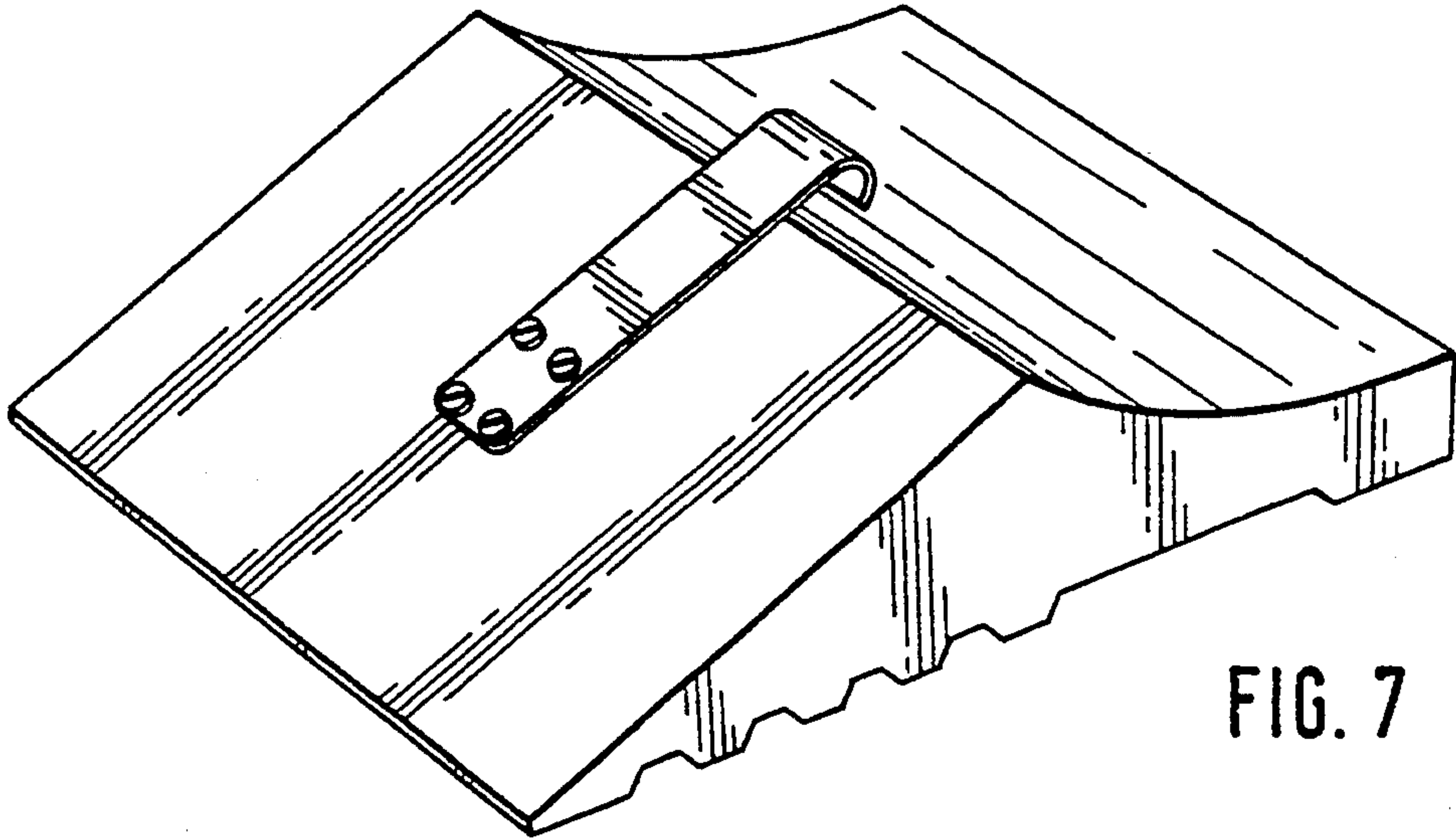


FIG. 7

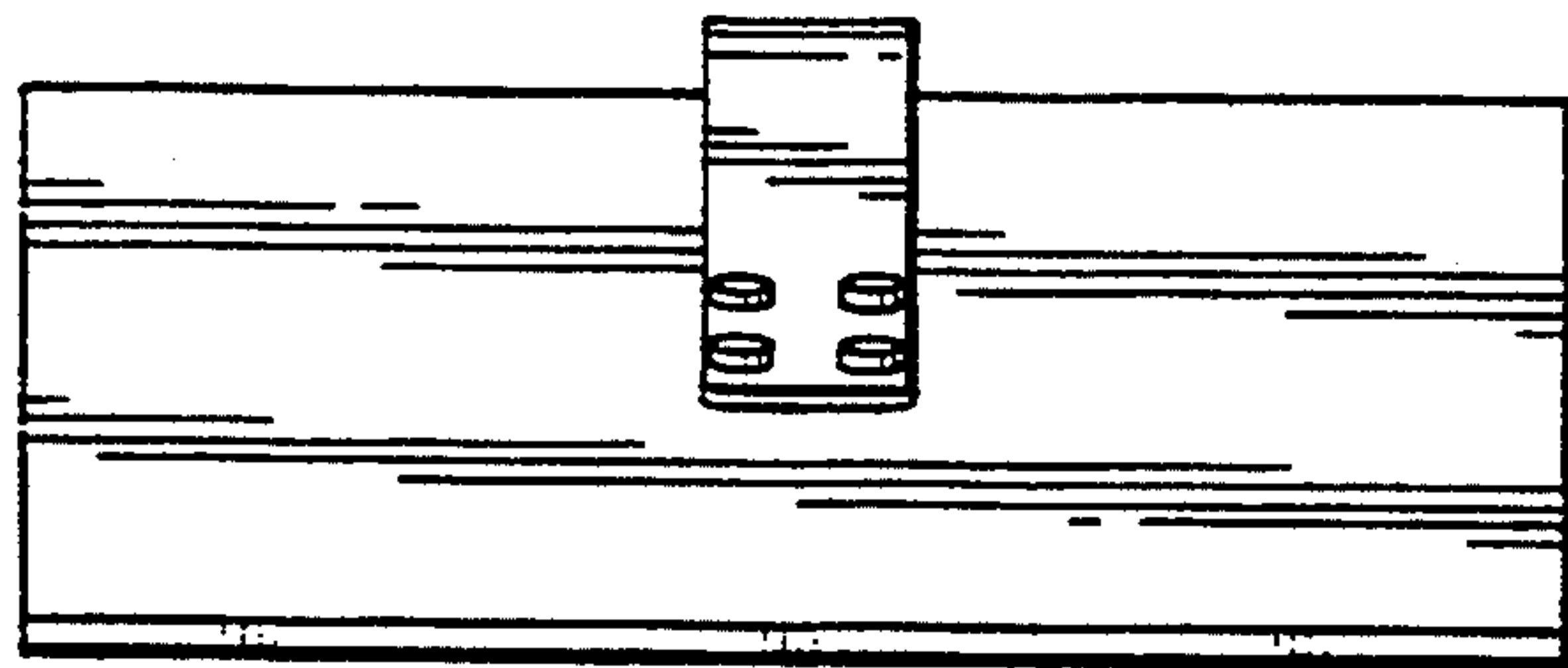


FIG. 8

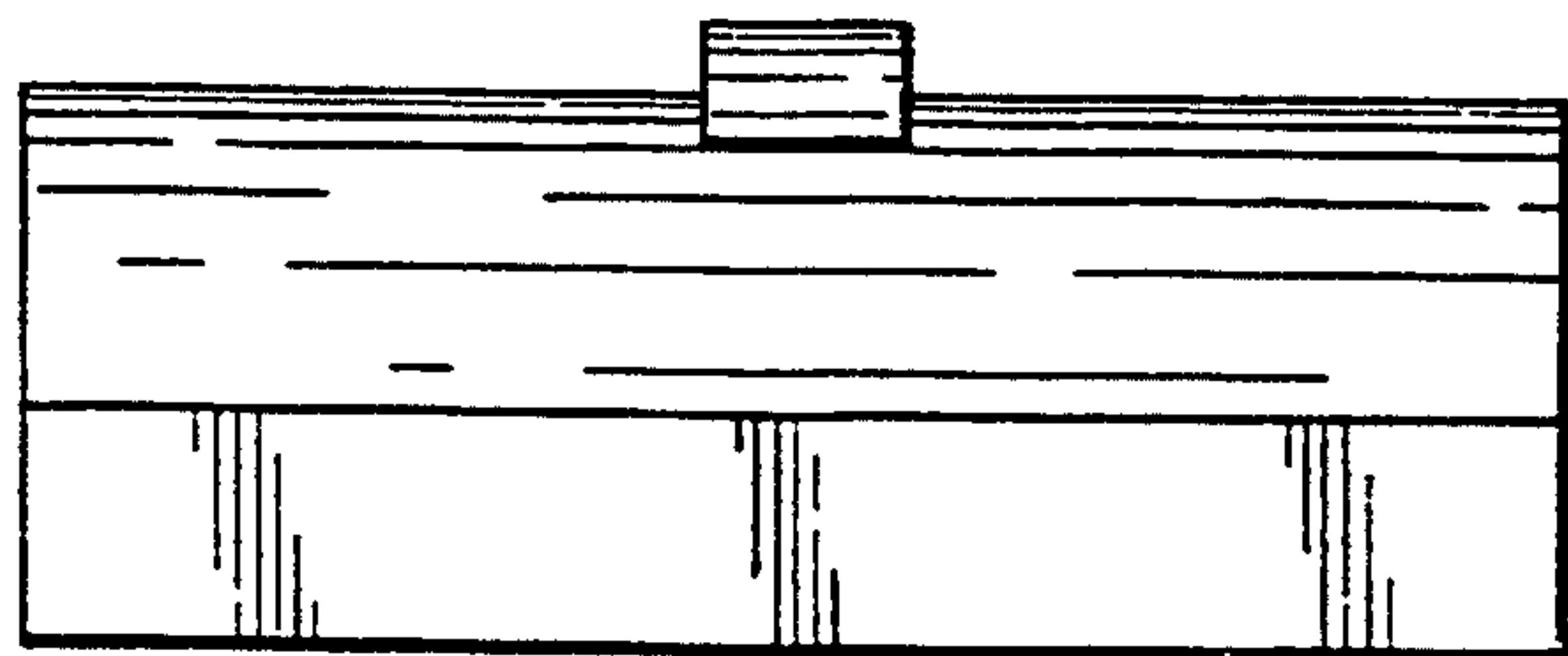


FIG. 9

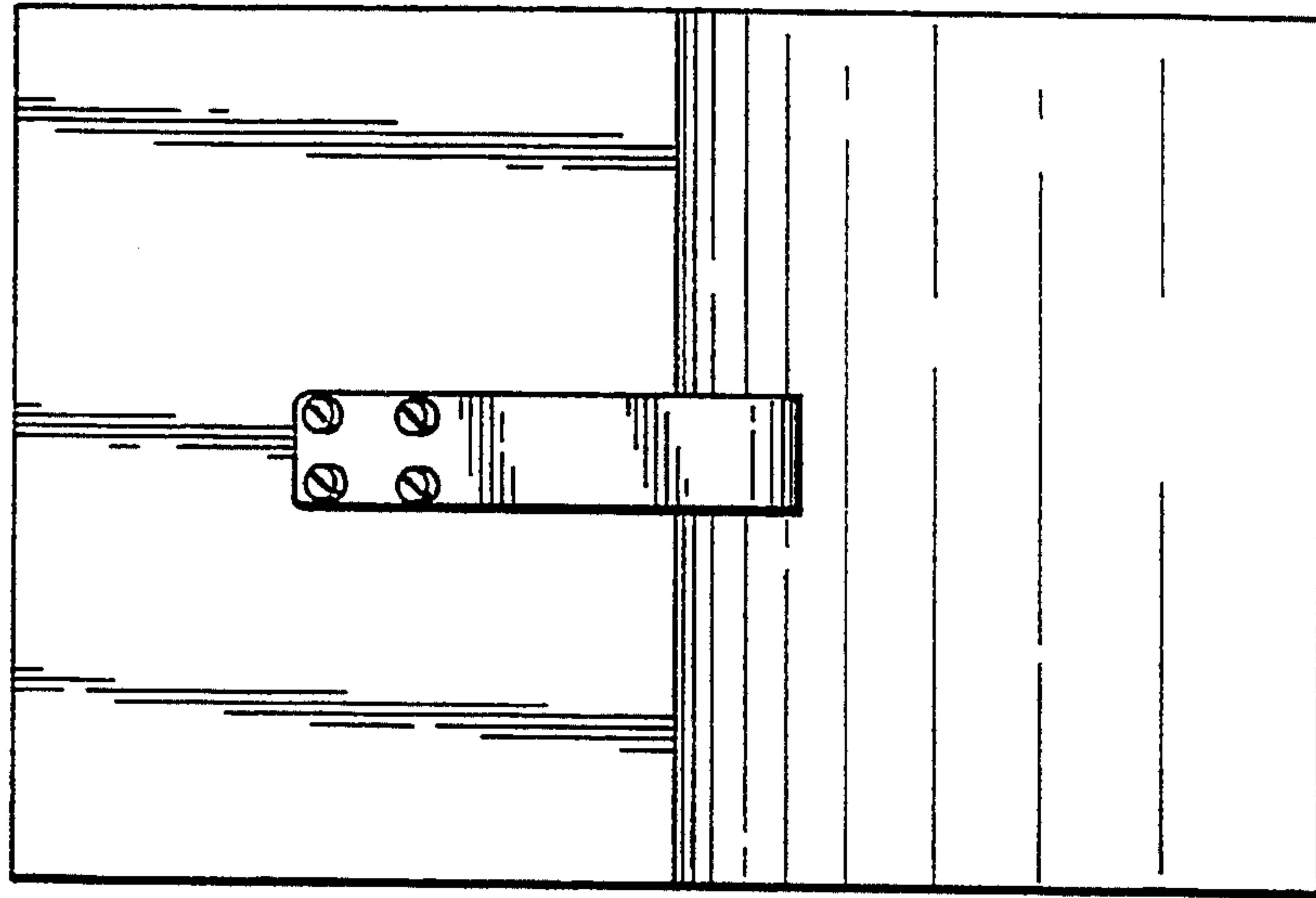


FIG. 10

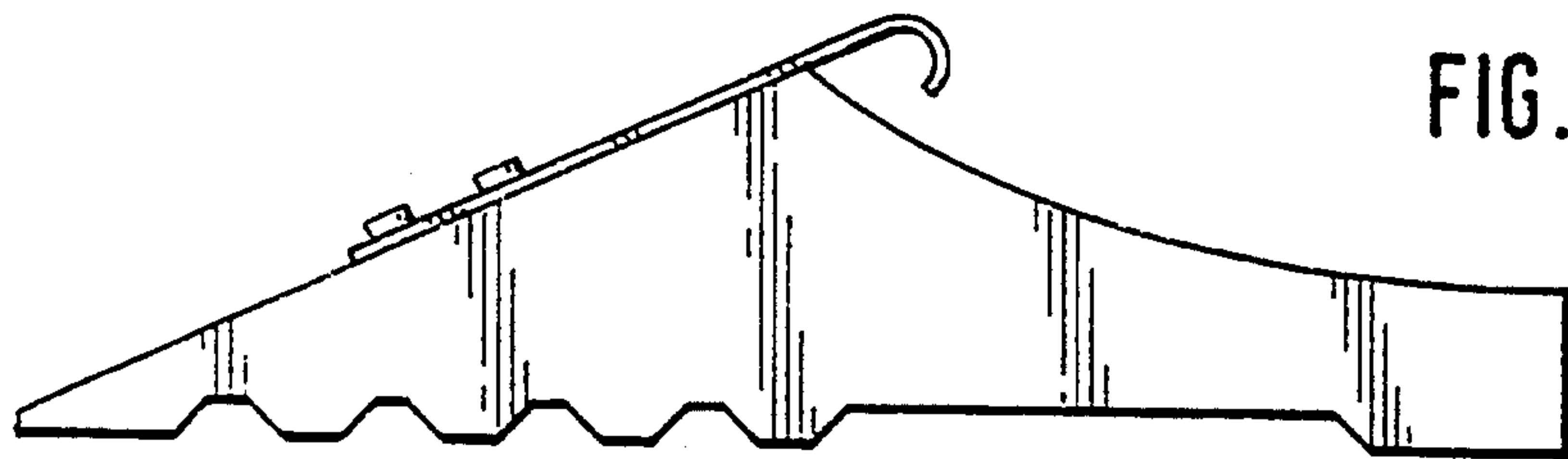


FIG. 11

FIG. 12

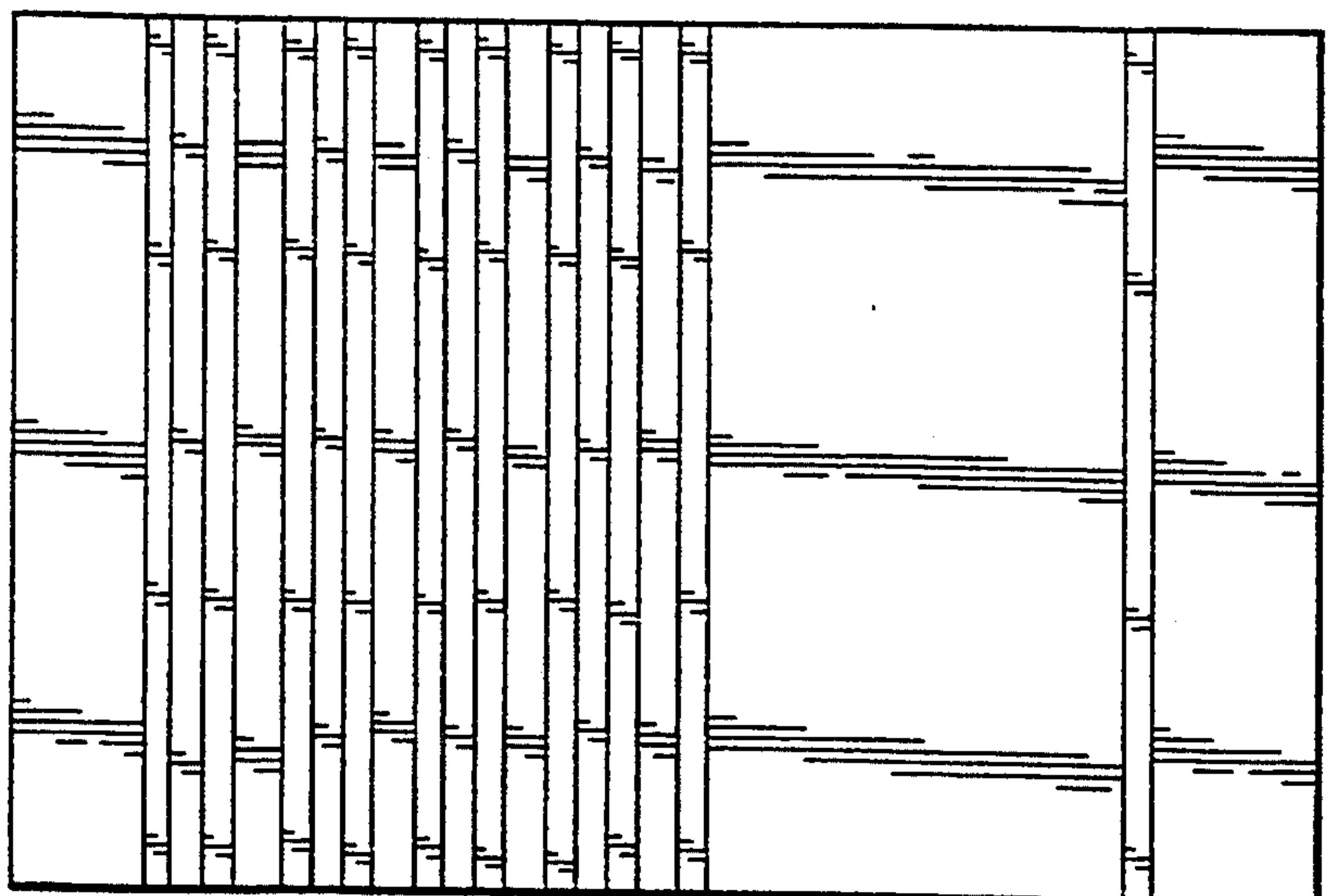


FIG. 13

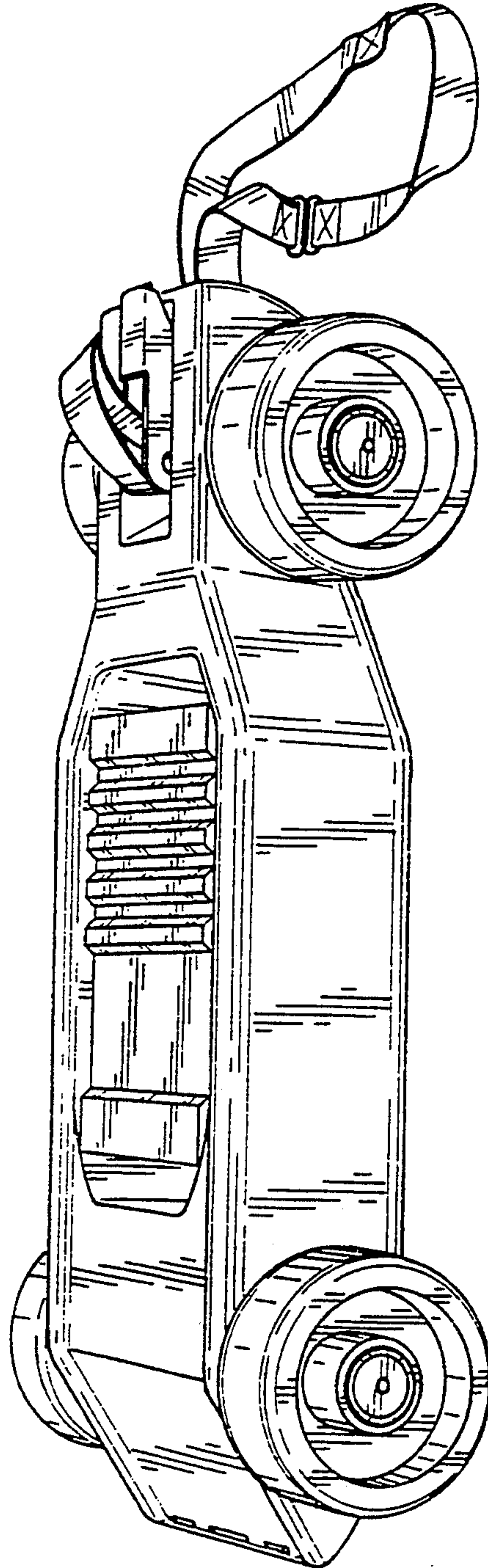


FIG. 14

