



US00D354591S

**United States Patent** [19]  
**Wong**

[11] **Patent Number: Des. 354,591**  
[45] **Date of Patent: \*\* Jan. 17, 1995**

[54] **IRON**  
[75] **Inventor: Joseph F. Wong, New Territories, Hong Kong**  
[73] **Assignee: Motor Electric Manufacturing Co. Ltd., Hong Kong**  
[\*\*] **Term: 14 Years**  
[21] **Appl. No.: 6,270**  
[22] **Filed: Mar. 24, 1993**  
[30] **Foreign Application Priority Data**

D. 225,451 12/1972 Jimenez ..... D32/9  
D. 262,885 2/1982 Baruffa ..... D32/9  
D. 275,808 10/1984 Baruffa et al. .... D32/9  
D. 275,901 10/1984 Baruffa et al. .... D32/9  
D. 287,774 1/1987 Primati ..... D32/9  
D. 314,647 2/1991 Jimenez ..... D32/9

*Primary Examiner*—Ruth McInroy  
*Attorney, Agent, or Firm*—Samuels, Gauthier & Stevens

[57] **CLAIM**

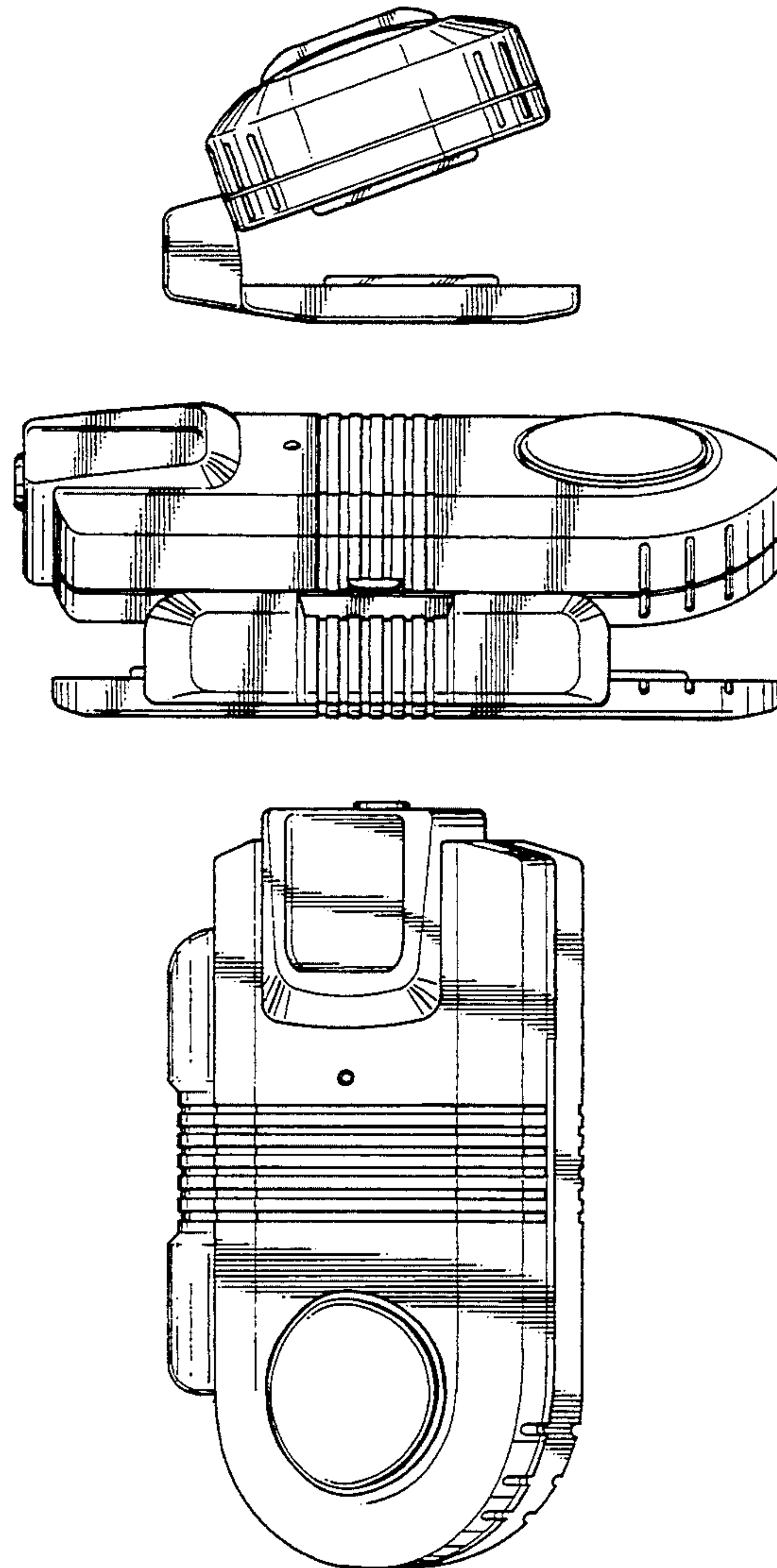
The ornamental design for an iron, as shown and described.

**DESCRIPTION**

FIG. 1 is the front elevational view of an iron showing my new design;  
FIG. 2 is the rear elevational view thereof;  
FIG. 3 is the left side view thereof;  
FIG. 4 is the right side view thereof;  
FIG. 5 is the top plan view thereof; and,  
FIG. 6 is the bottom plan view thereof.

Sep. 28, 1992 [GB] United Kingdom ..... 2026068  
[52] **U.S. Cl.** ..... **D32/9**  
[58] **Field of Search** ..... **D32/9; 38/1 R, 1 A, 38/2, 12, 17, 18, 19, 20, 21, 24**

[56] **References Cited**  
**U.S. PATENT DOCUMENTS**  
D. 199,079 9/1964 Boldt ..... D32/9



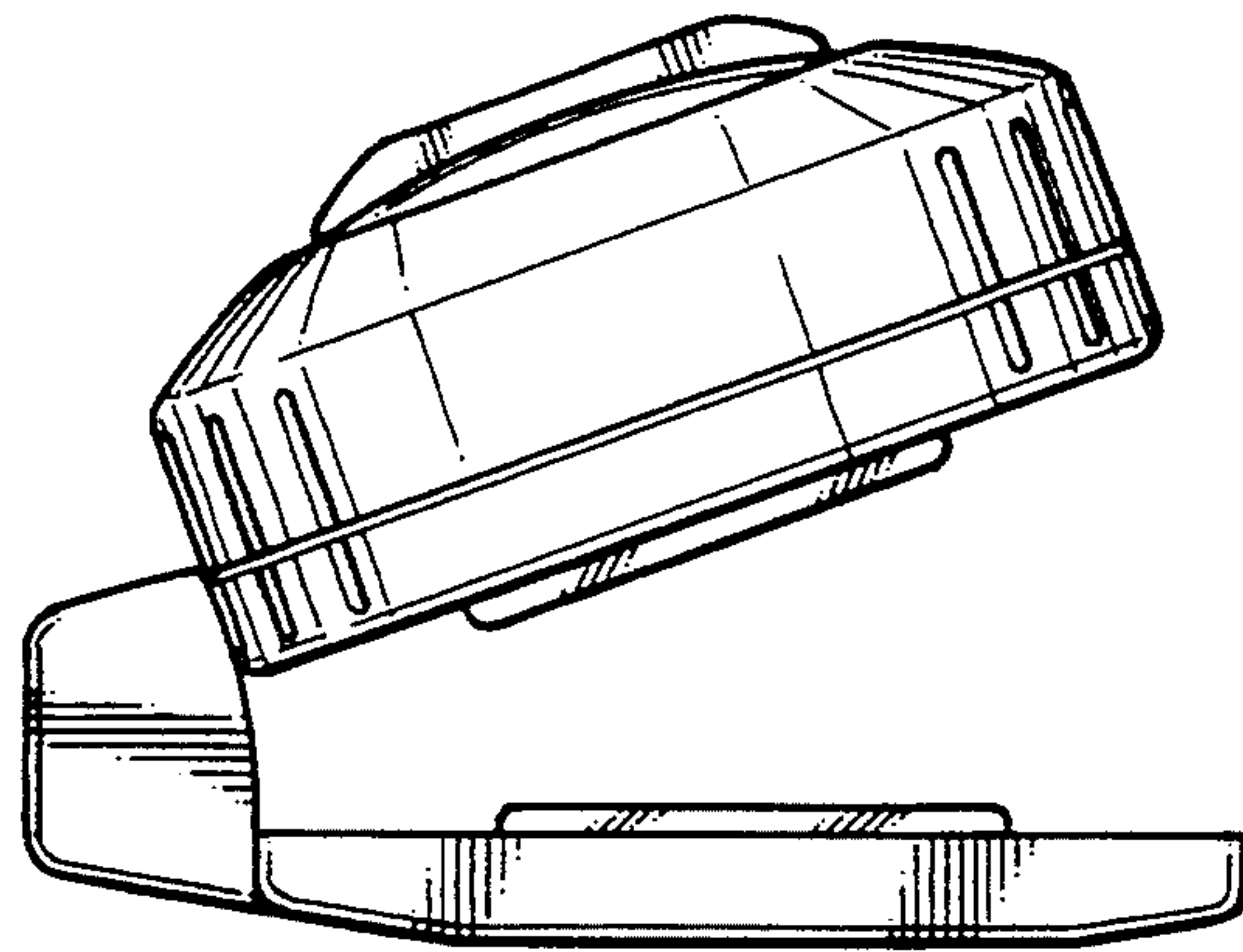


FIG. 1

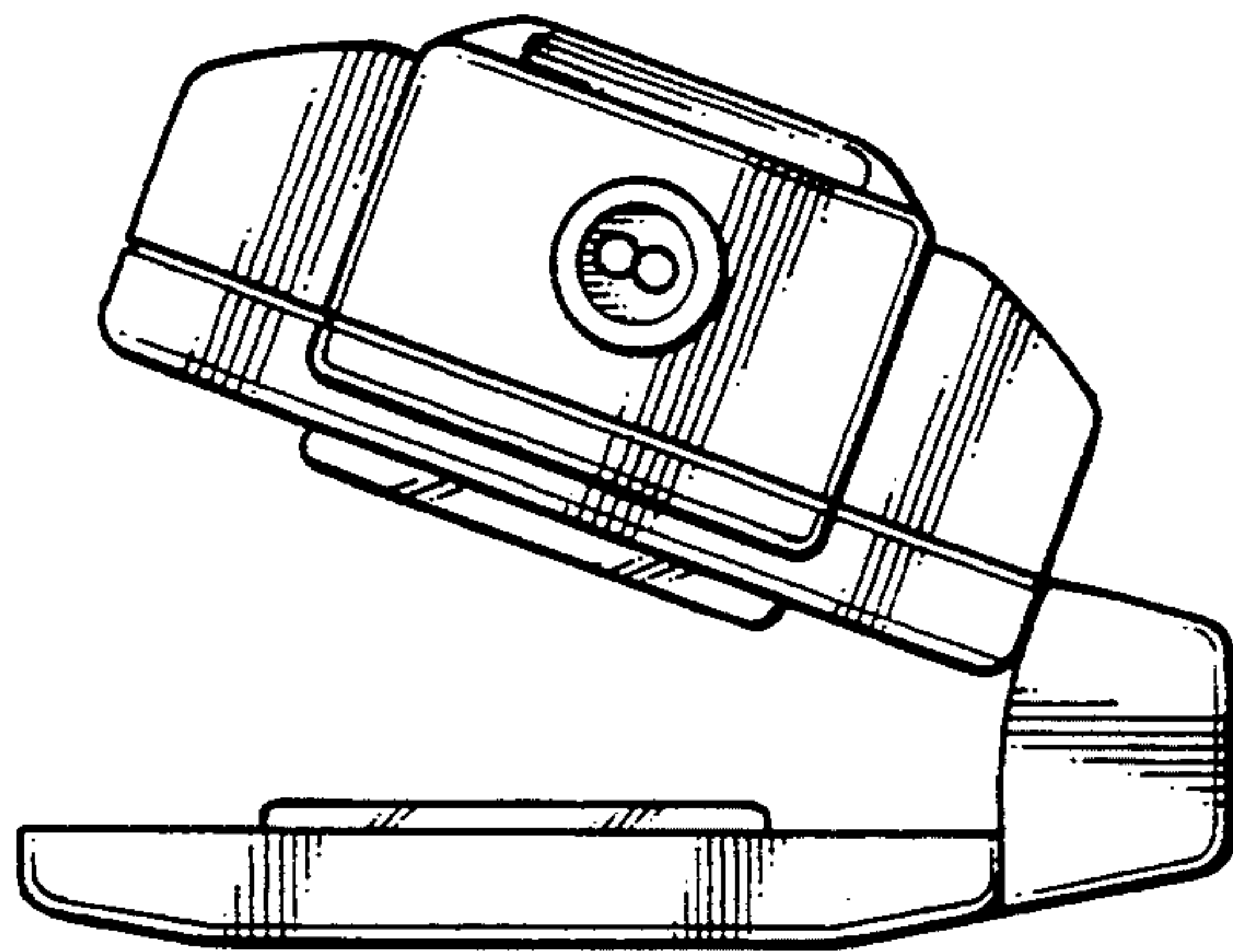


FIG. 2

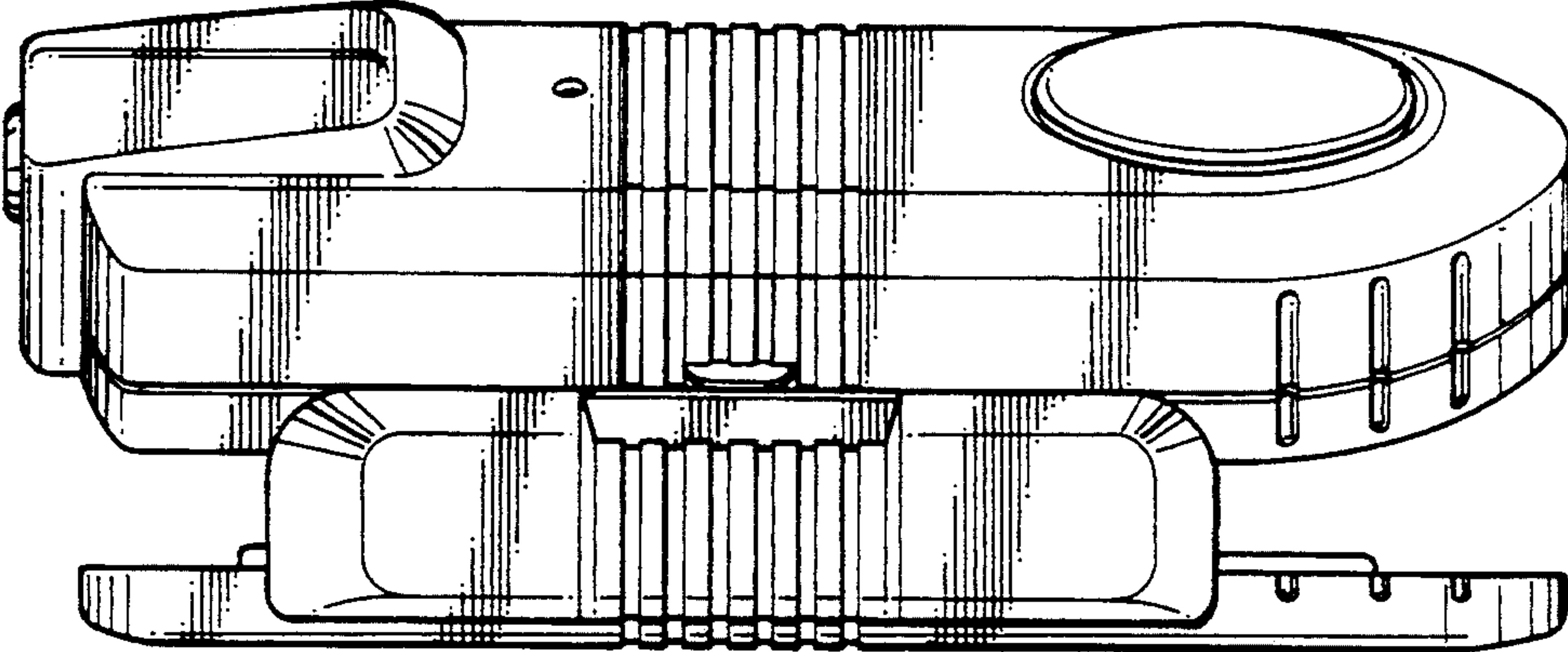


FIG. 3

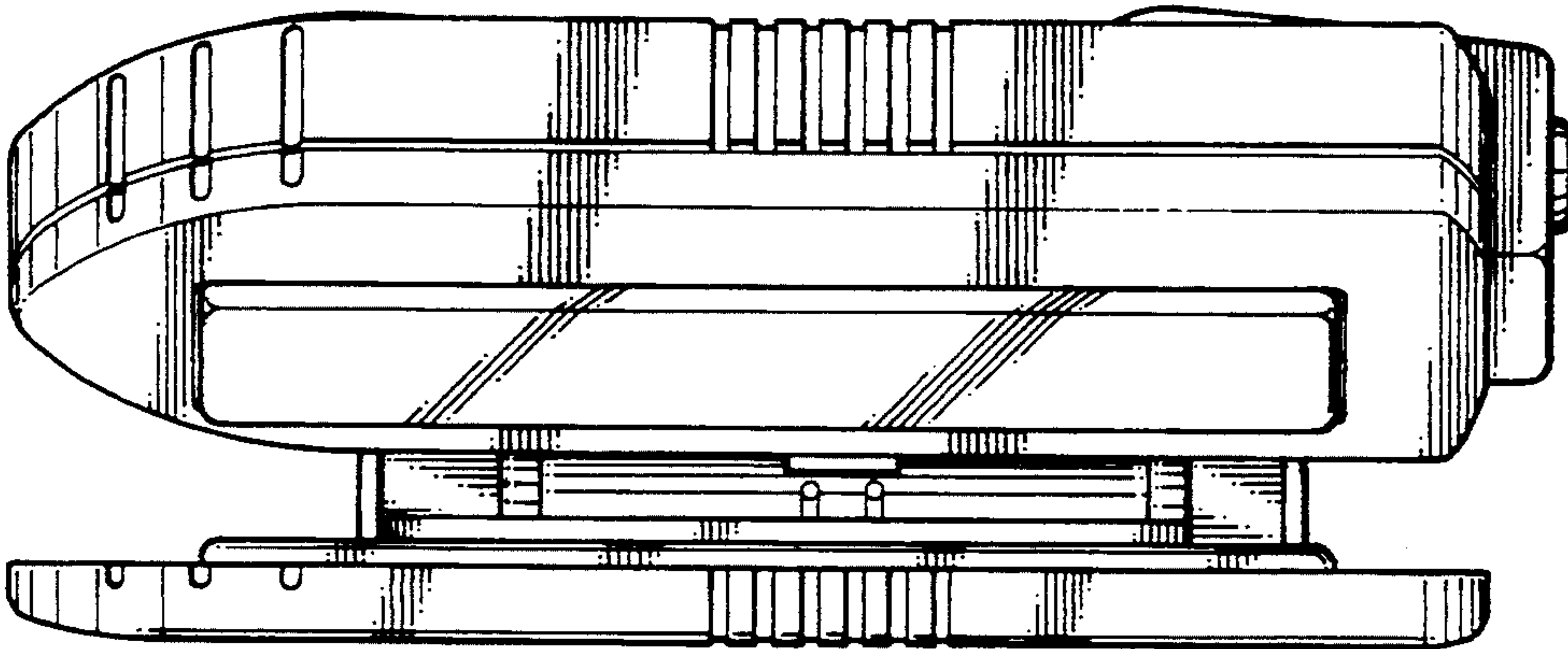


FIG. 4

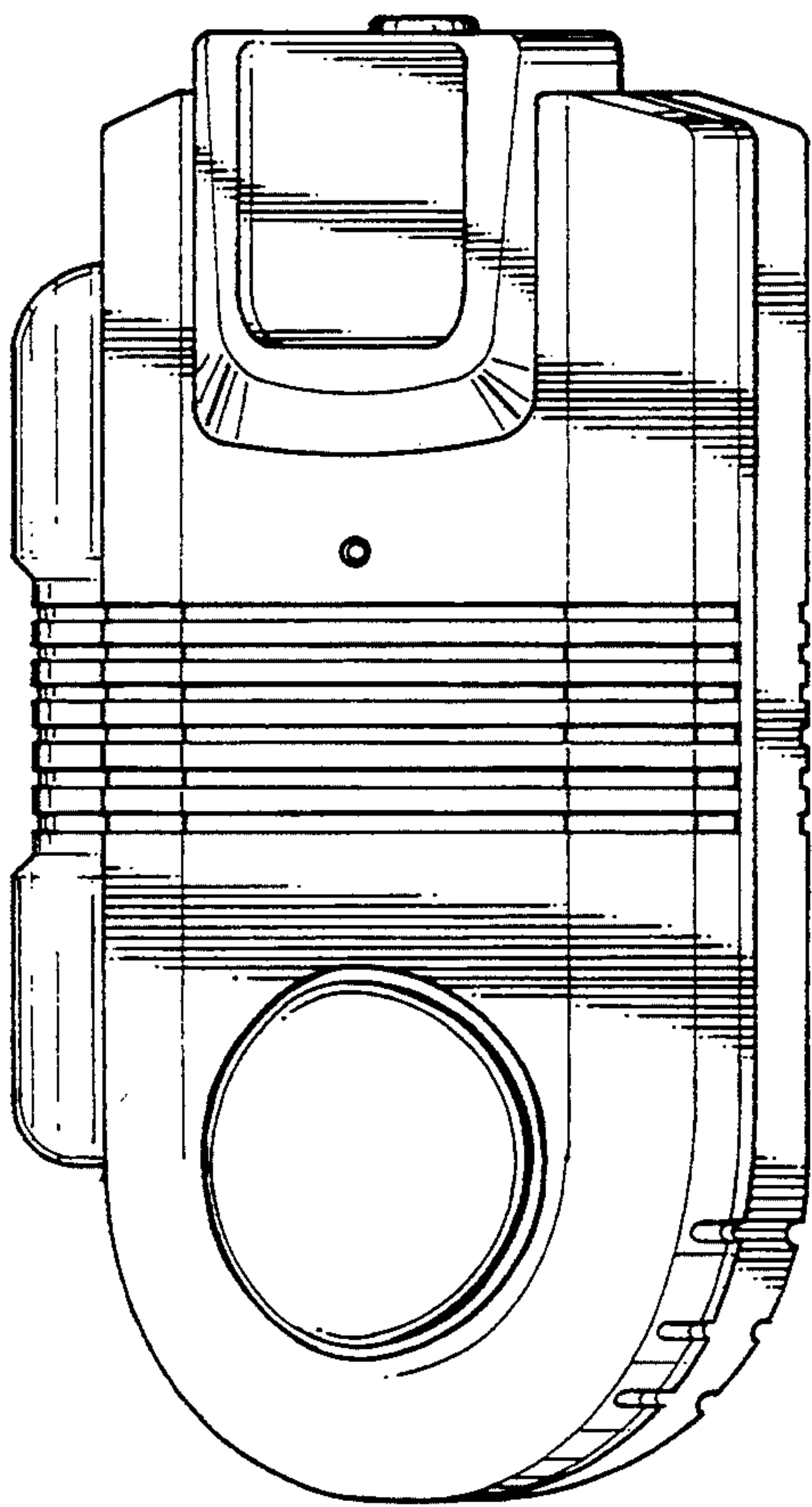


FIG. 5

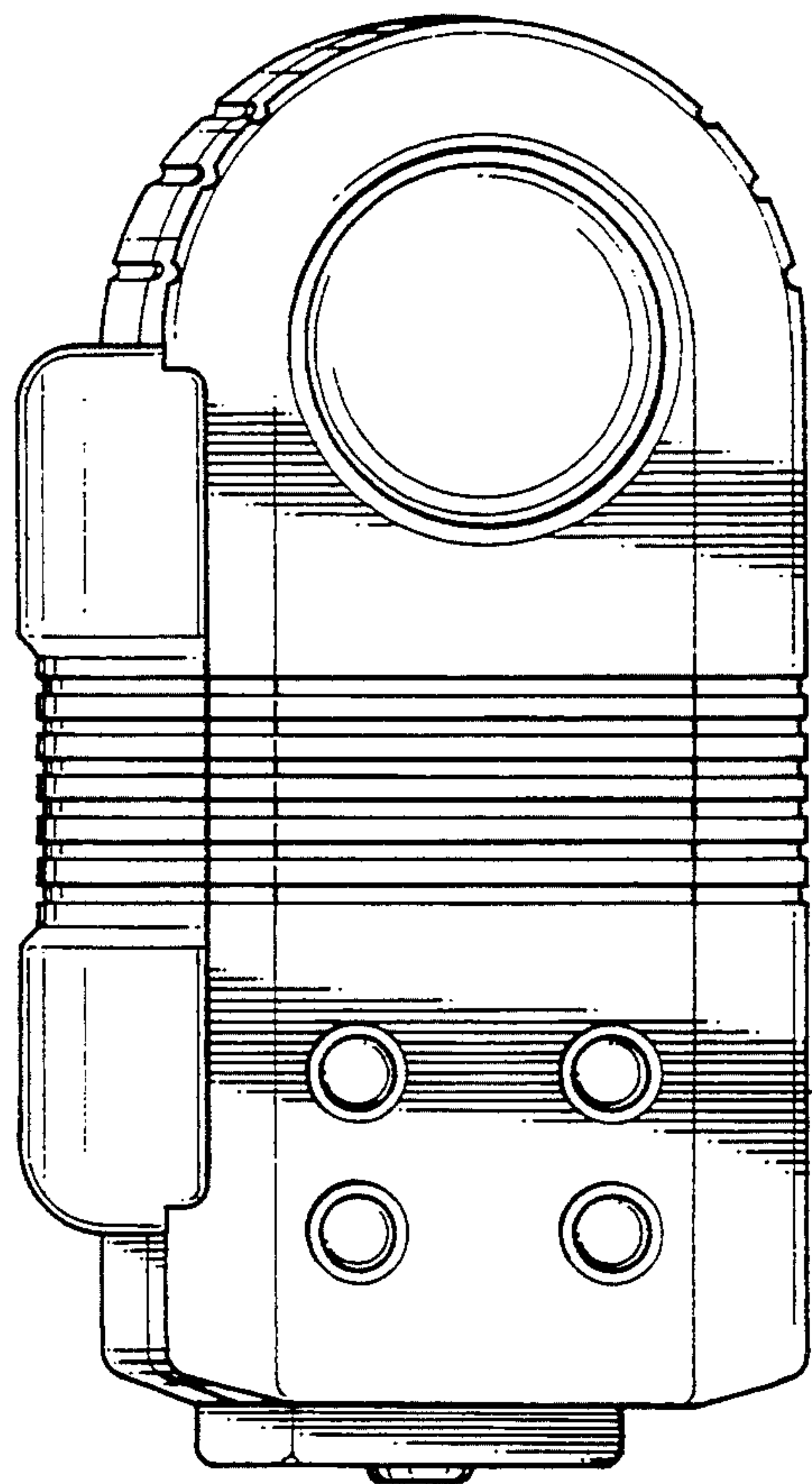


FIG. 6