



US00D354588S

# United States Patent [19]

[11] Patent Number: **Des. 354,588**

Russell

[45] Date of Patent: **\*\* Jan. 17, 1995**

[54] **FACE SHIELD**

3,594,816 7/1971 Webb ..... 2/10  
5,113,528 5/1992 Burhe, Jr. et al. .... 2/424

[75] Inventor: **John P. Russell**, Center Point, Ala.

*Primary Examiner*—Ruth McInroy  
*Attorney, Agent, or Firm*—George A. Bode

[73] Assignee: **Infection Control Products, Inc.**,  
Gardendale, Ala.

[\*\*] Term: **14 Years**

[57] **CLAIM**

[21] Appl. No.: **933,510**

The ornamental design for a face shield, as shown and described.

[22] Filed: **Aug. 24, 1992**

[52] U.S. Cl. .... **D29/110**

[58] Field of Search ..... **D29/12, 14-18;**  
2/424, 425, 9, 10, 12, 15

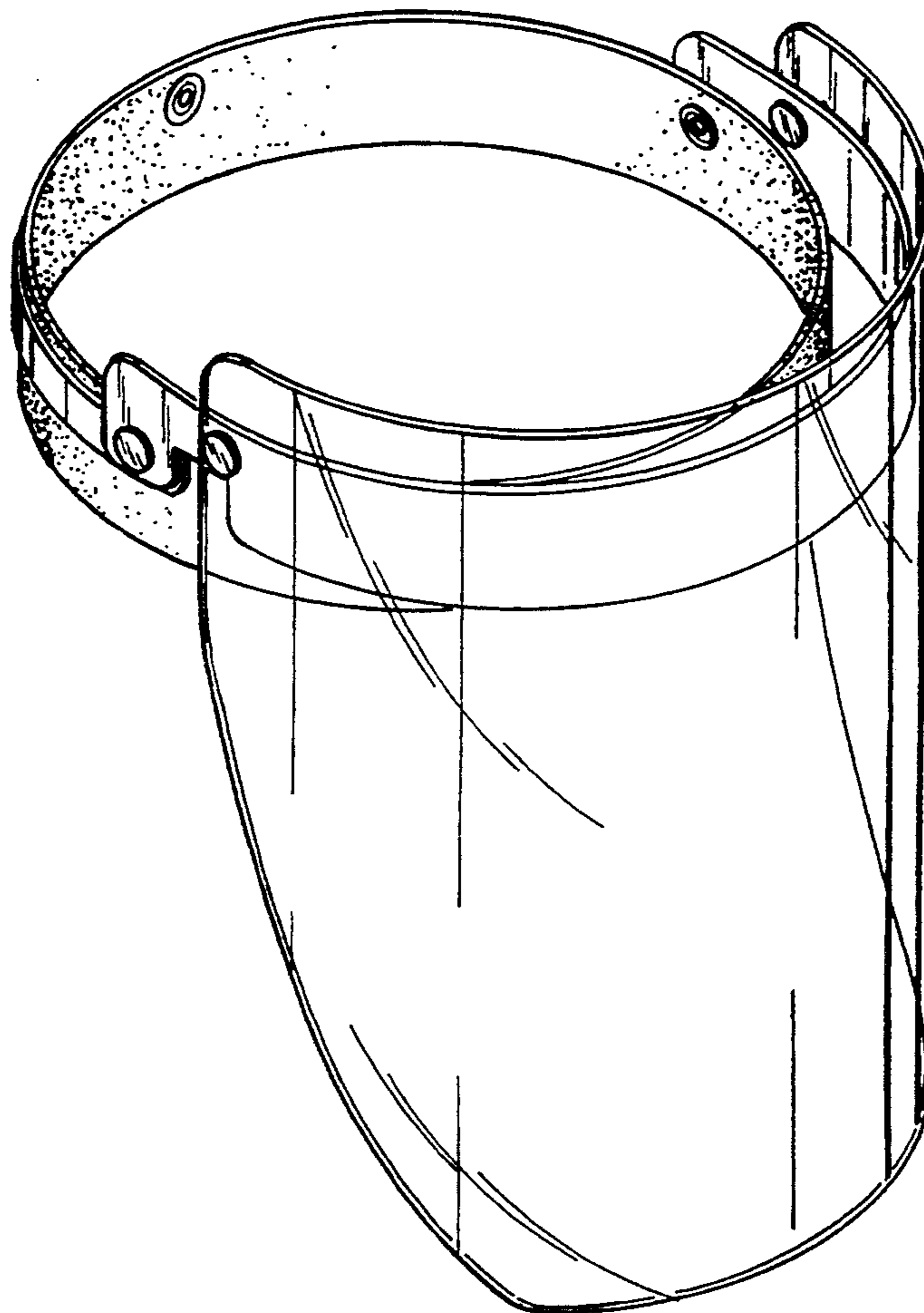
**DESCRIPTION**

FIG. 1 is a top plan view of a face shield showing my new design, with the face shield in a down position; FIG. 2 is a right side elevational view thereof; FIG. 3 is a front elevational view thereof; FIG. 4 is a bottom plan view thereof; FIG. 5 is a left side elevational view thereof; FIG. 6 is a rear elevational view thereof; FIG. 7 is a right side elevational view thereof, with the face shield shown in an up position; and, FIG. 8 is a top frontal perspective view thereof. The man shown in broken lines in FIGS. 2 and 7, is shown for illustrative purposes only and forms no part of the claimed design.

[56] **References Cited**

**U.S. PATENT DOCUMENTS**

D. 287,300	12/1986	Lonnstedt .....	D29/16
D. 306,363	2/1990	Stackhouse et al. ....	D29/17
D. 320,478	10/1991	Metcalf .....	D29/17
D. 321,268	10/1991	Nix .....	D29/16
1,911,817	5/1933	Du Bois .....	2/9
2,360,482	10/1944	Evans .....	2/12
2,729,820	1/1956	Anderson .....	2/9
2,758,307	8/1956	Treiber .....	2/9



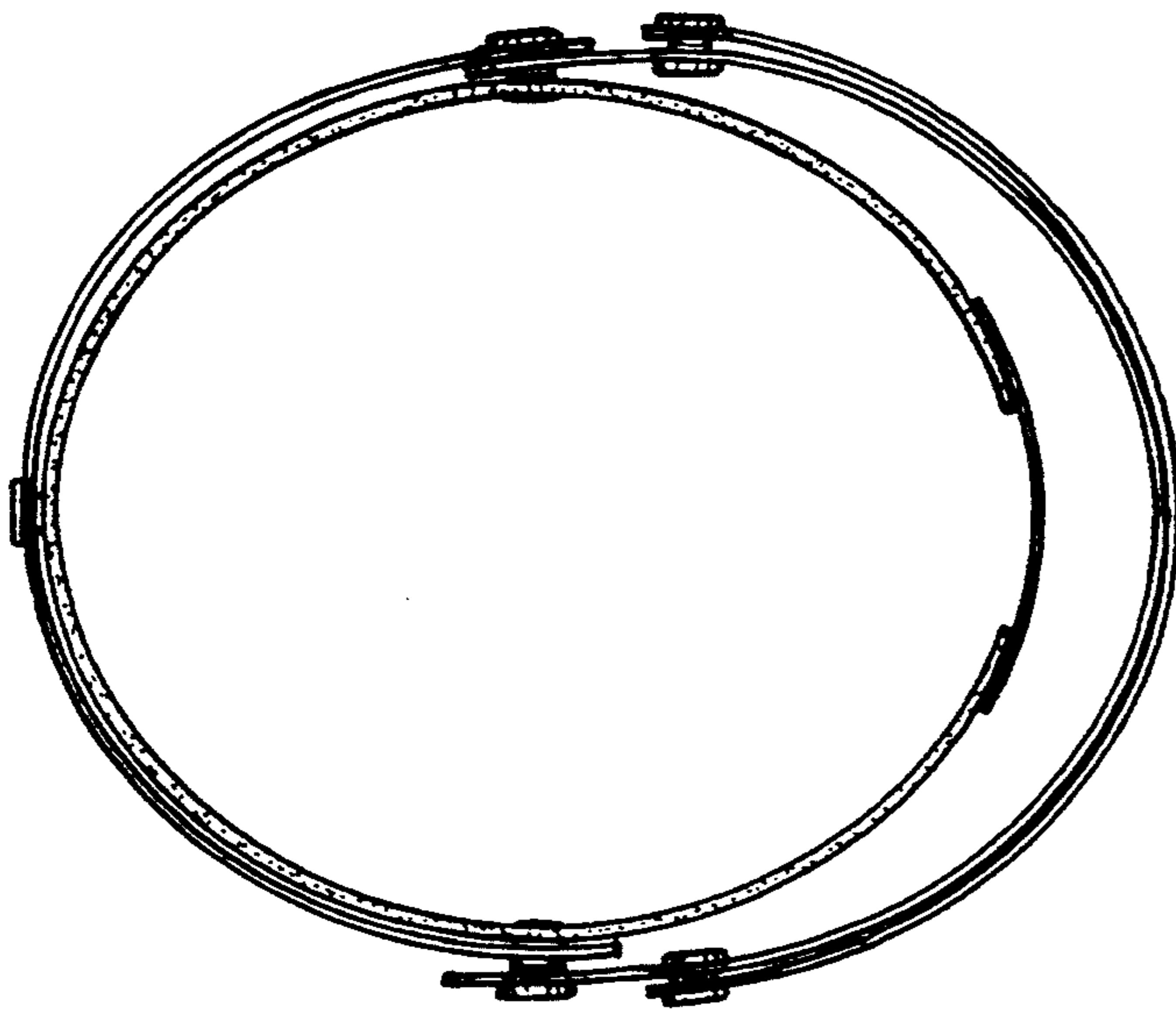


FIG. 1

FIG. 2

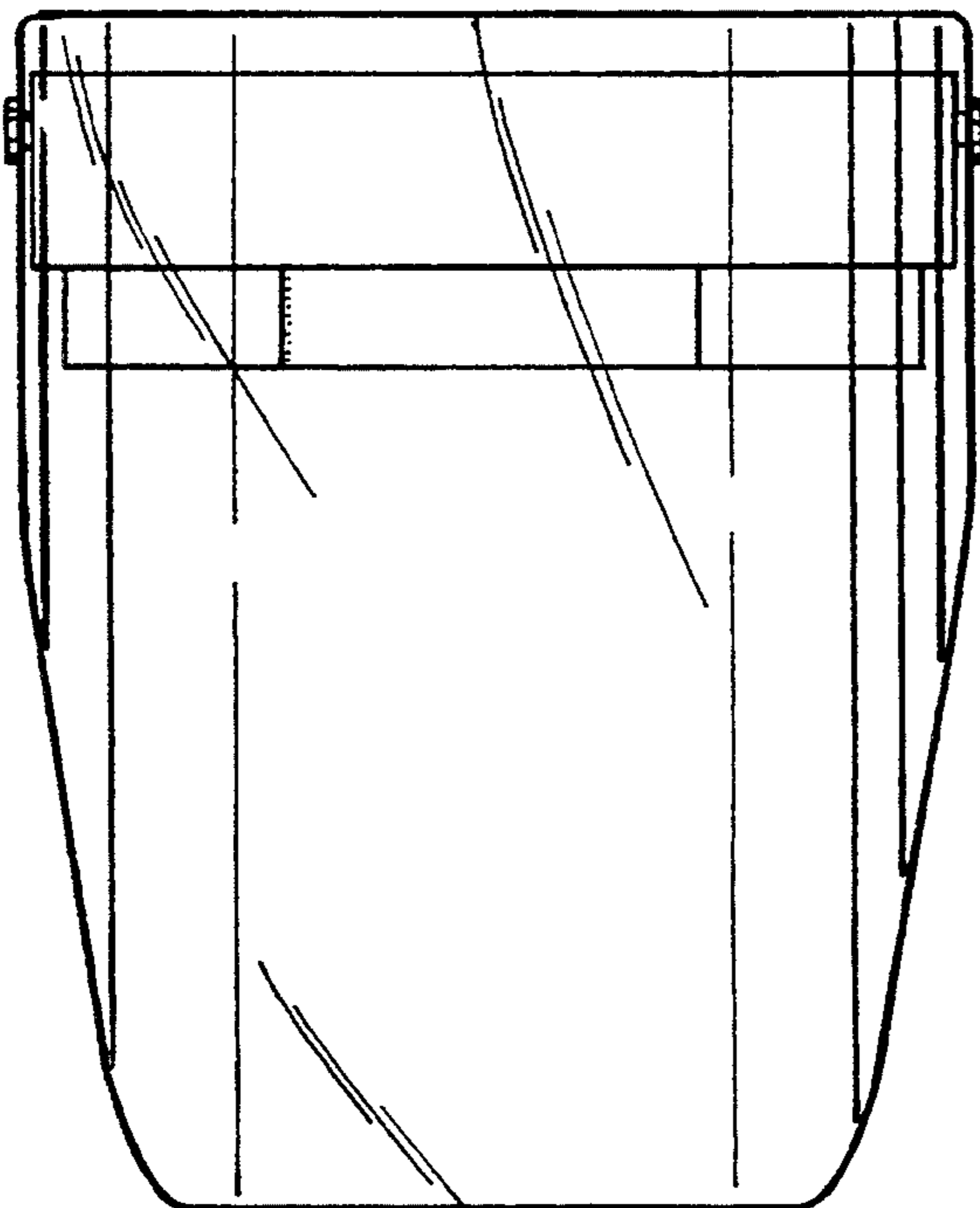
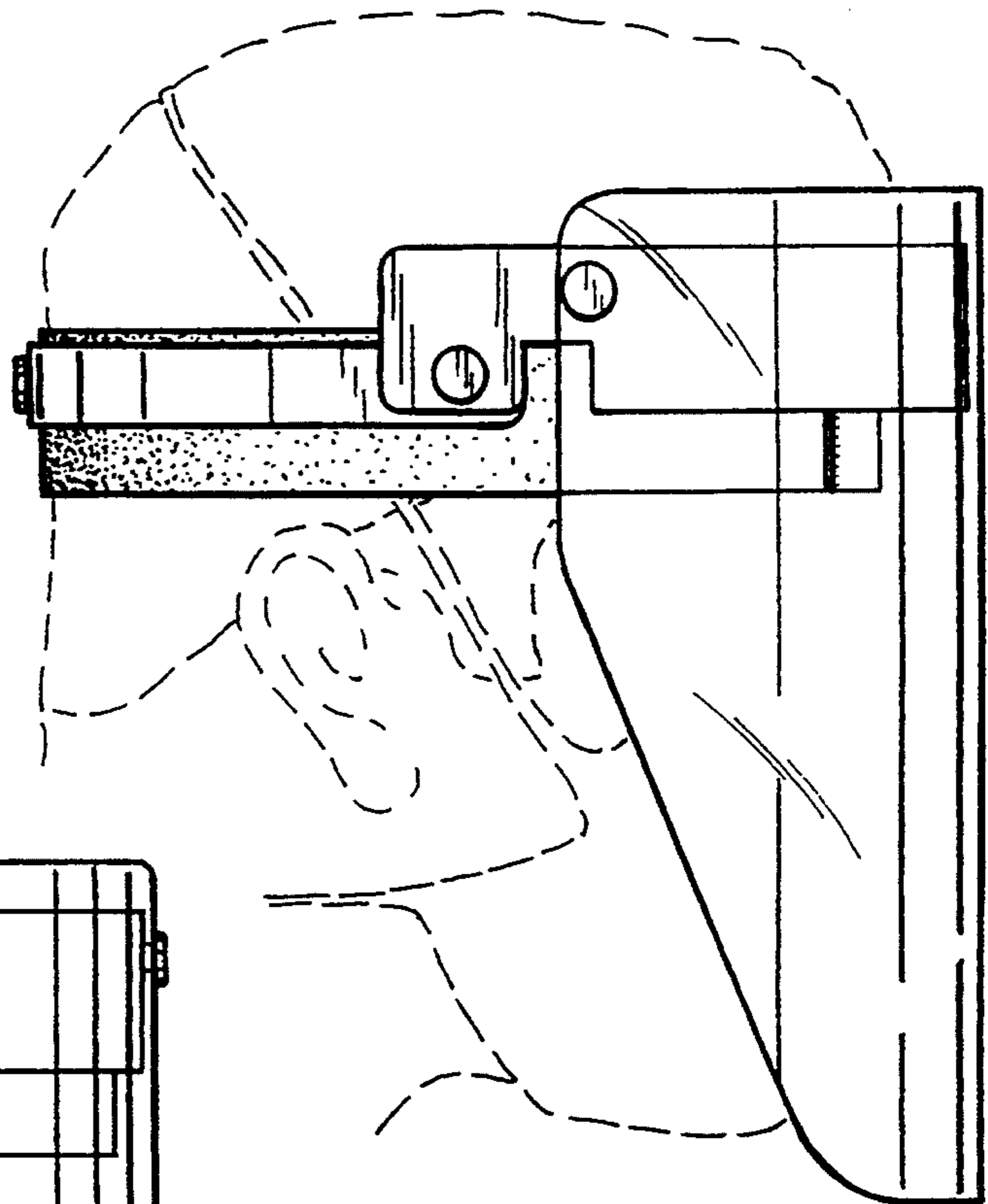


FIG. 3

FIG. 4

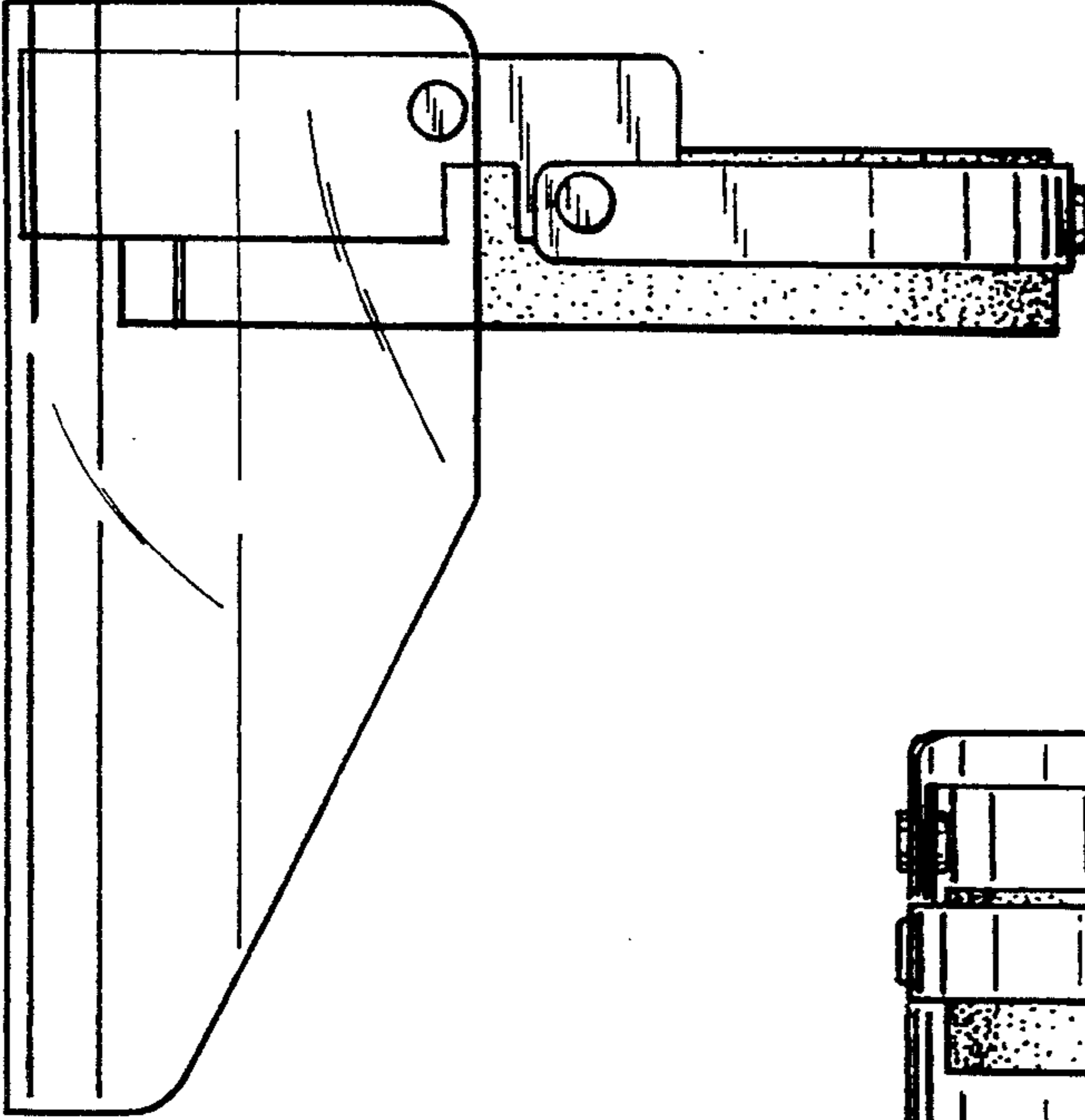
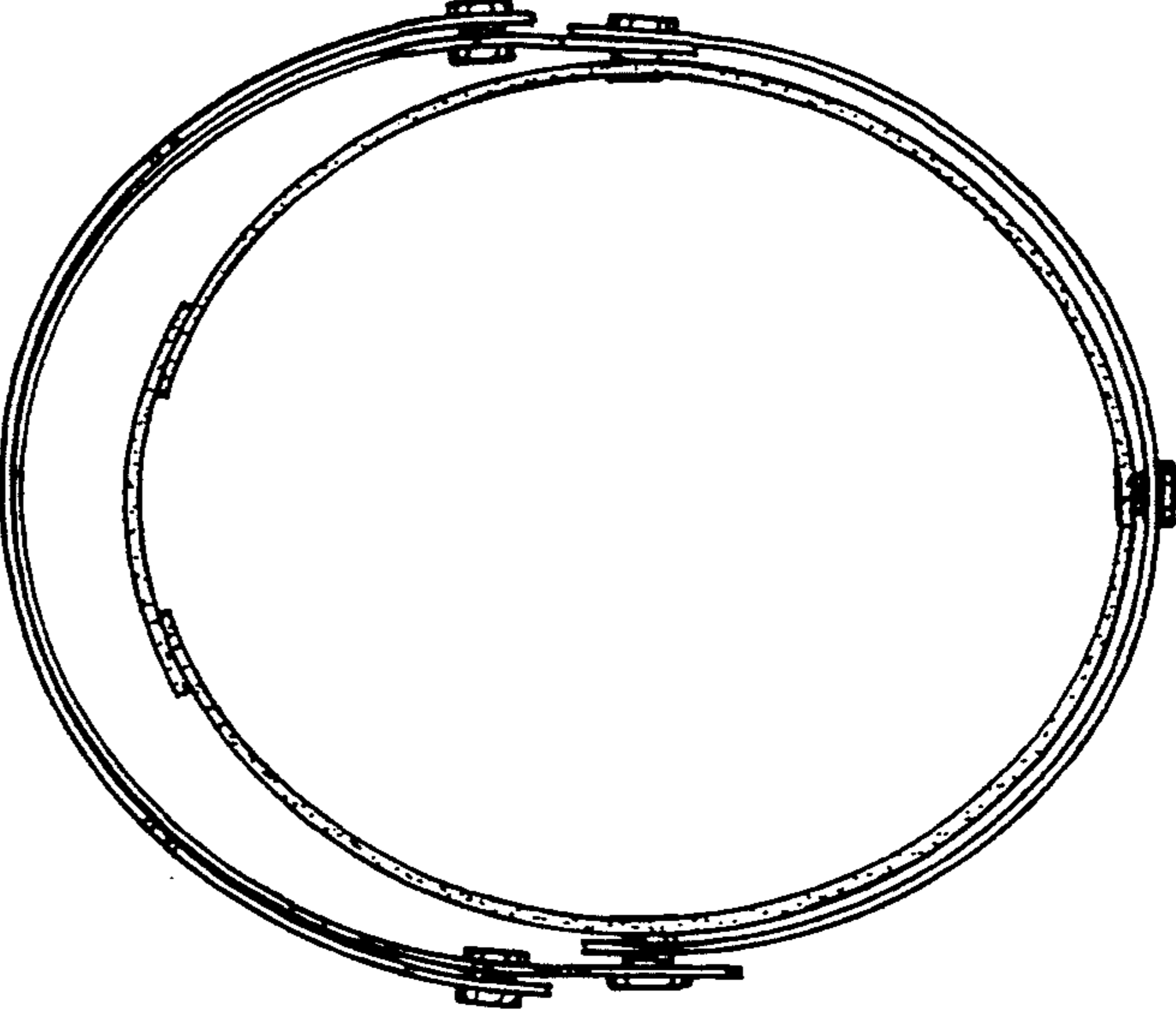
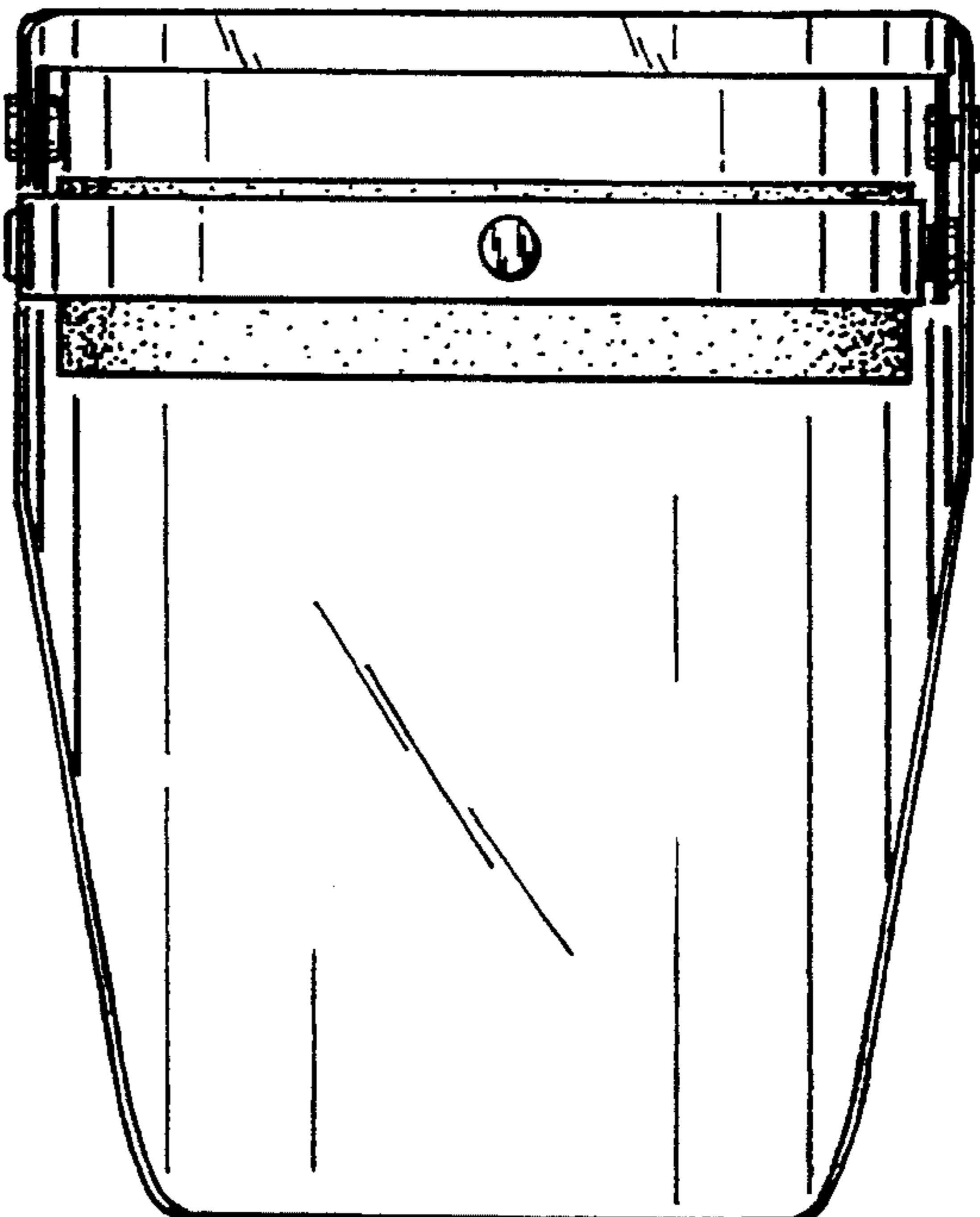


FIG. 5

FIG. 6



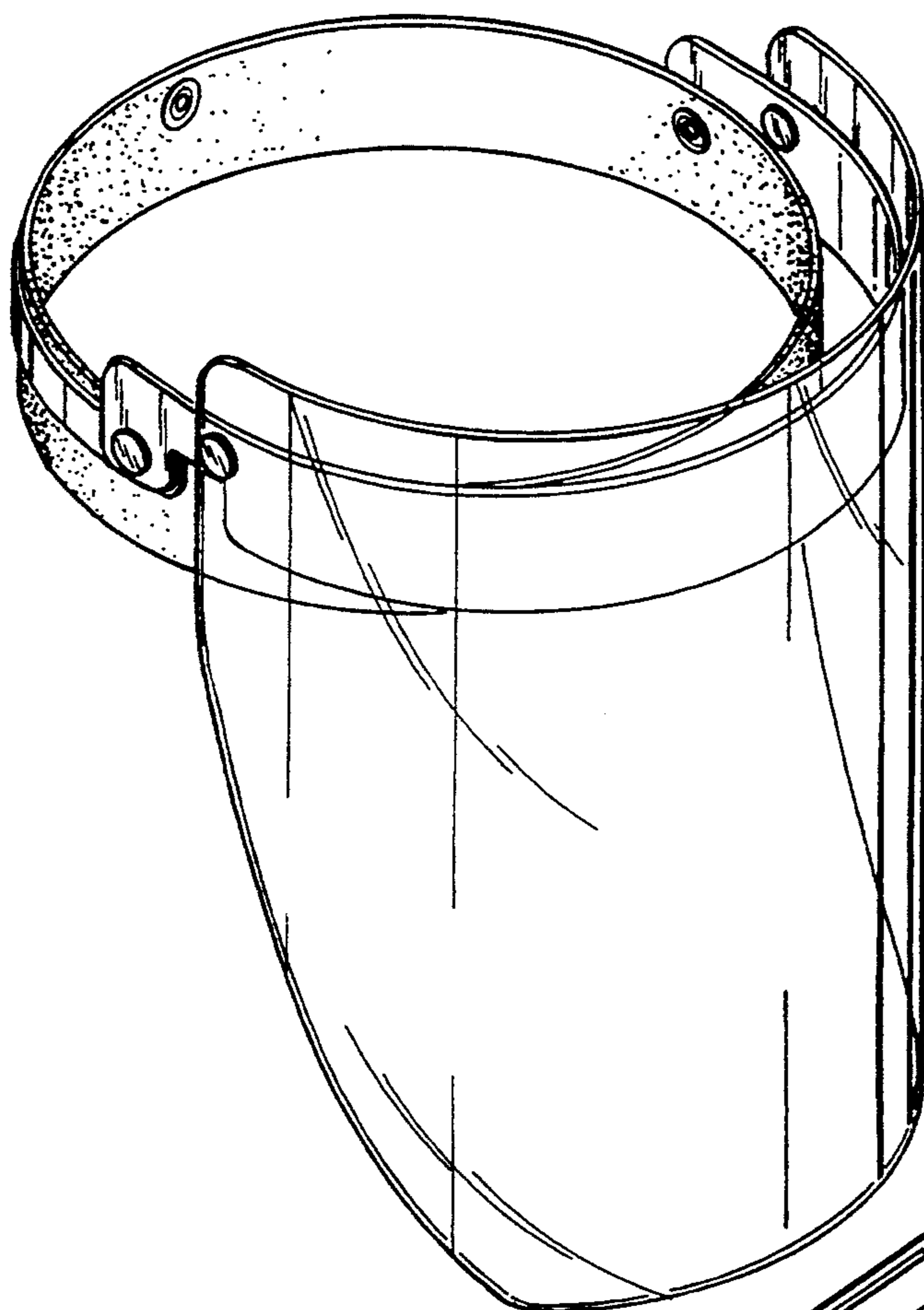


FIG. 8

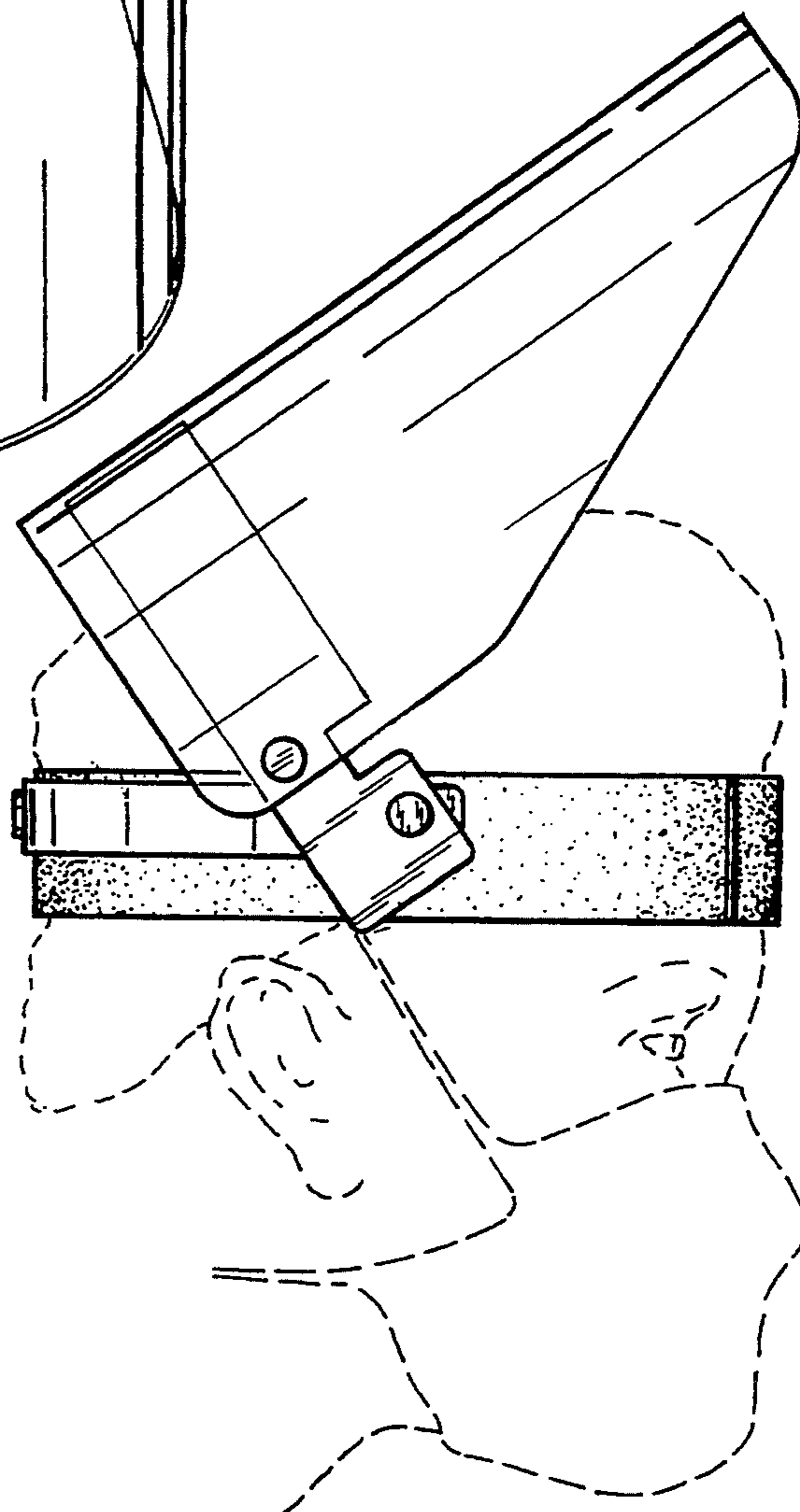


FIG. 7