



US00D354584S

United States Patent [19]

[11] Patent Number: **Des. 354,584**

Newman

[45] Date of Patent: **** Jan. 17, 1995**

[54] WATER PIPE

[76] Inventor: **Mark R. Newman**, P.O. Box 17009,
Tucson, Ariz. 85731

[**] Term: **14 Years**

[21] Appl. No.: **14,038**

[22] Filed: **Oct. 12, 1993**

[52] U.S. Cl. **D27/162**

[58] Field of Search **D27/162; 131/173, 179,
131/192**

[56] **References Cited**

U.S. PATENT DOCUMENTS

D. 248,572	7/1978	Graham	D27/162
4,108,152	8/1978	Kahler	131/173
4,244,383	1/1981	Kahler	131/180

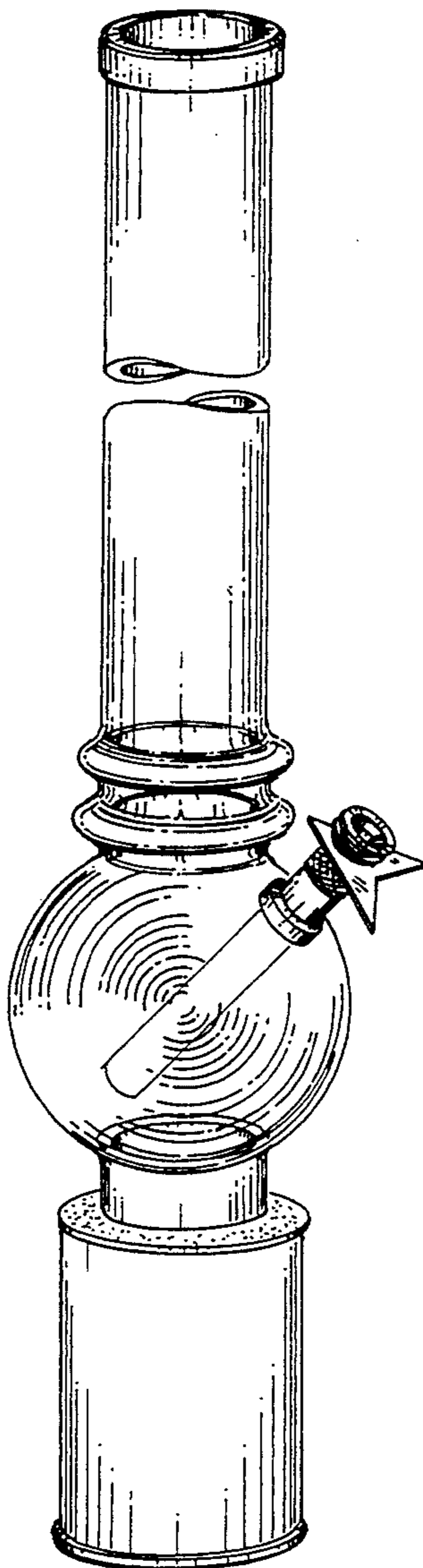
Primary Examiner—Wallace R. Burke
Assistant Examiner—H. Baynham
Attorney, Agent, or Firm—Victor Flores

[57] **CLAIM**

The ornamental design for a water pipe, as shown and described.

DESCRIPTION

FIG. 1 is a perspective view of a water pipe, showing my design;
FIG. 2 is a side elevational view, the opposite side being a mirror image thereof;
FIG. 3 is a front elevational view thereof; and,
FIG. 4 is a top plan view thereof.
The undisclosed bottom plan view is planar and unornamented.



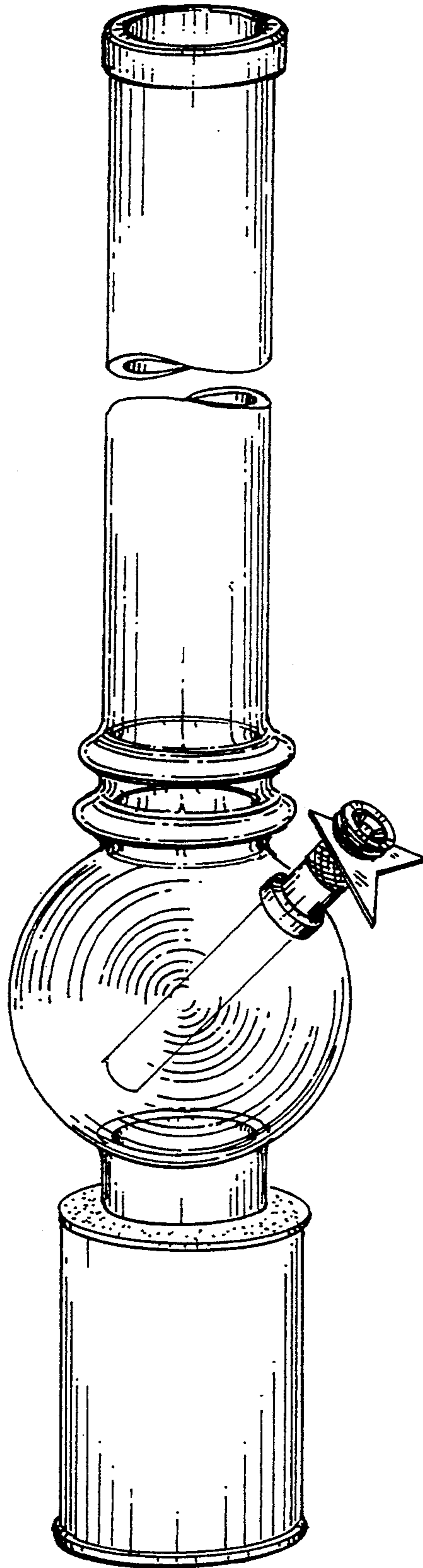


FIG. 1

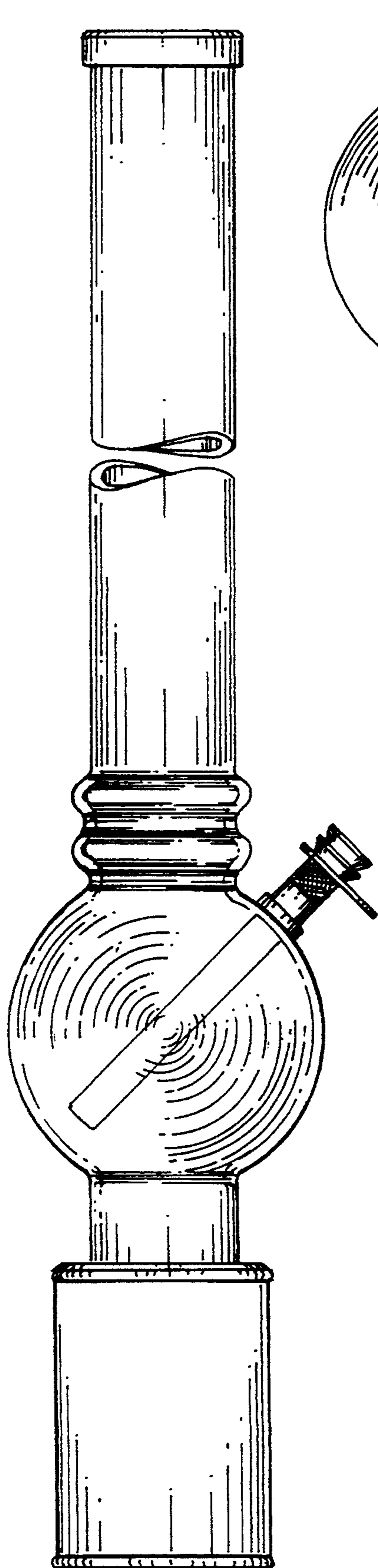


FIG. 2

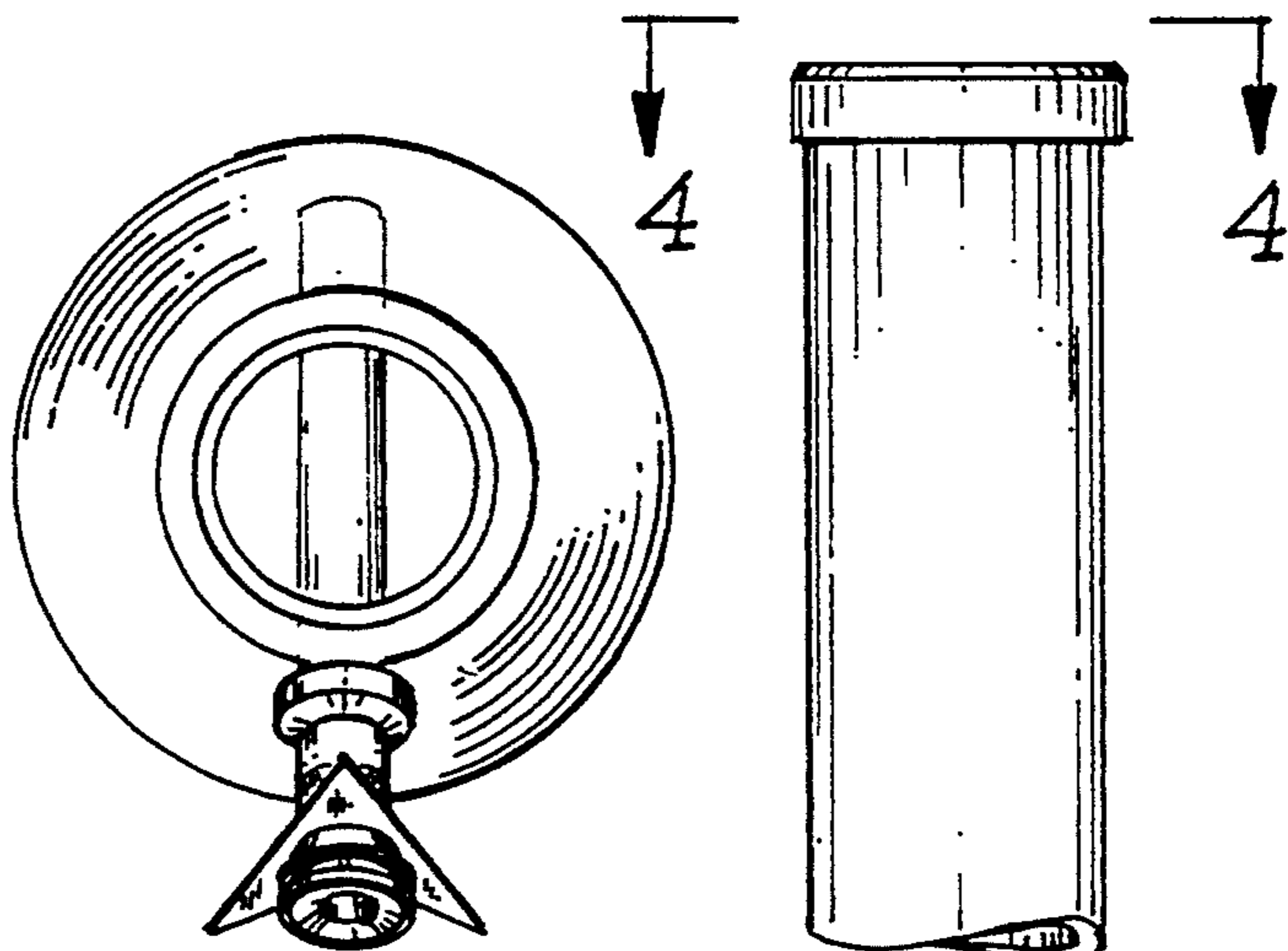


FIG. 4

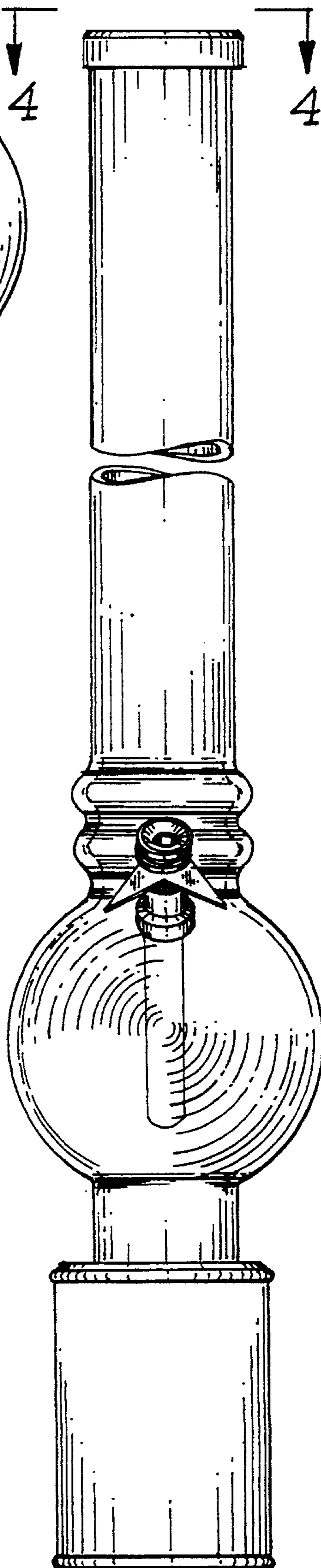


FIG. 3