



US00D354580S

# United States Patent [19]

Fouke et al.

[11] Patent Number: **Des. 354,580**

[45] Date of Patent: **\*\* Jan. 17, 1995**

[54] **SUSPENDED LUMINAIRE**

[75] Inventors: **Herbert A. Fouke; Rick M. Kelly,**  
both of Newark, Ohio

[73] Assignee: **Holophane Lighting, Inc.,** Newark,  
Ohio

[\*\*] Term: **14 Years**

[21] Appl. No.: **22,401**

[22] Filed: **May 4, 1994**

[52] U.S. Cl. .... **D26/88**

[58] Field of Search ..... **D26/72, 80-92;**  
**362/147, 404-408**

[56] **References Cited**

### U.S. PATENT DOCUMENTS

D. 345,433 3/1994 Gruber et al. .... D26/88  
2,132,784 10/1938 Guth ..... 362/404 X  
3,766,375 10/1973 Edman et al. .... D26/88 X

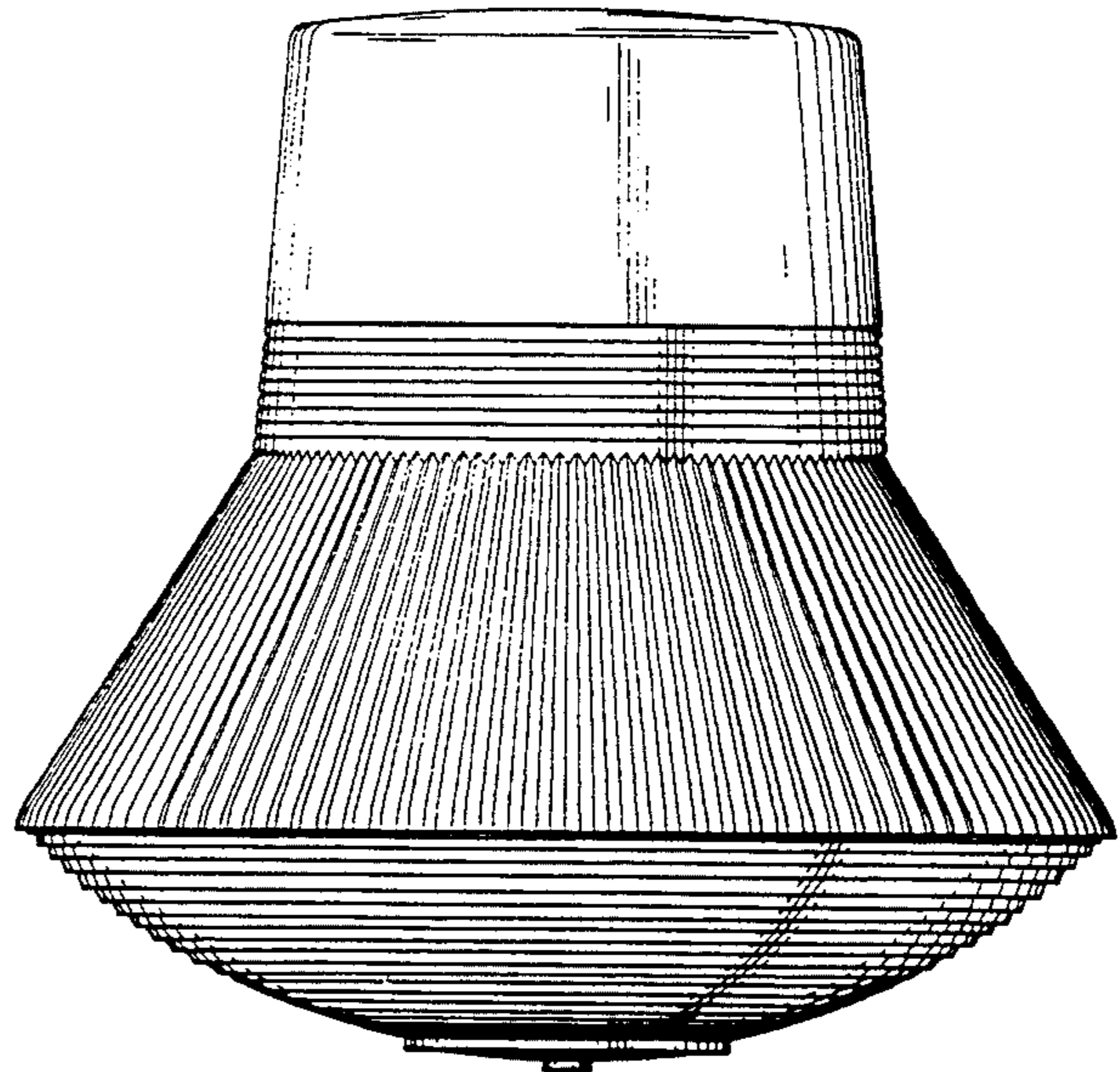
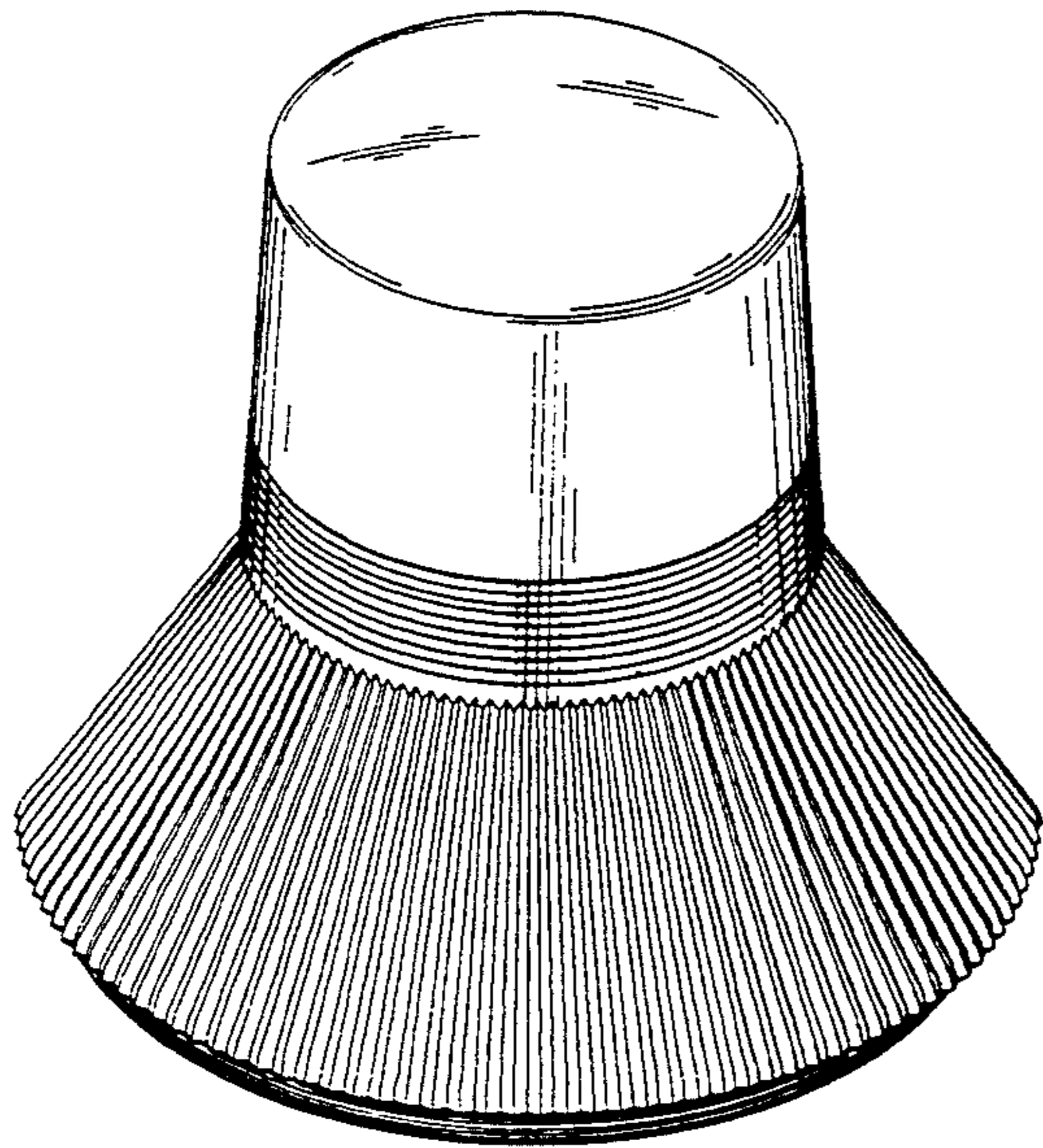
*Primary Examiner*—Susan J. Lucas  
*Attorney, Agent, or Firm*—Brooks & Kushman

[57] **CLAIM**

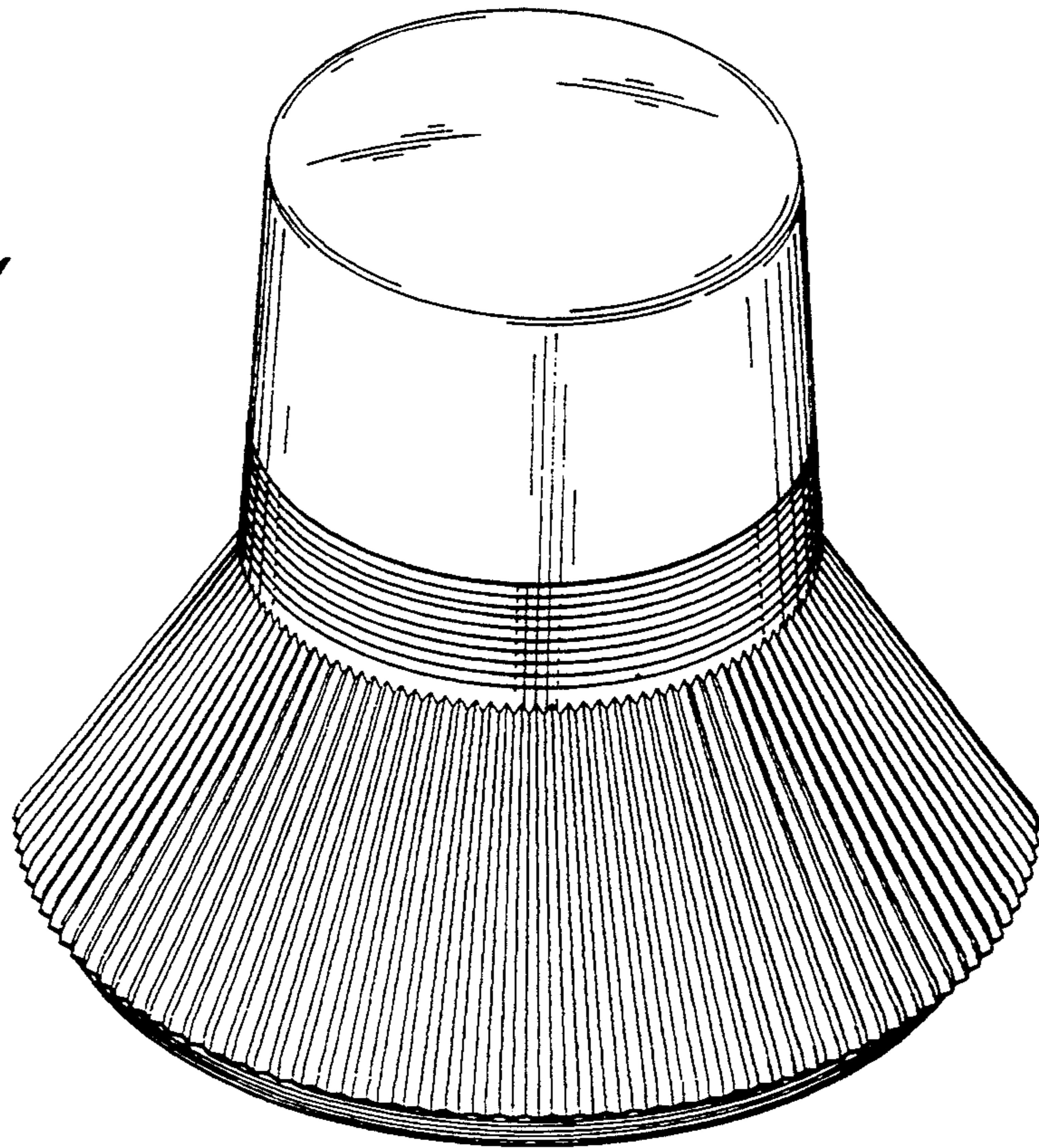
The ornamental design for a suspended luminaire, as shown and described.

### DESCRIPTION

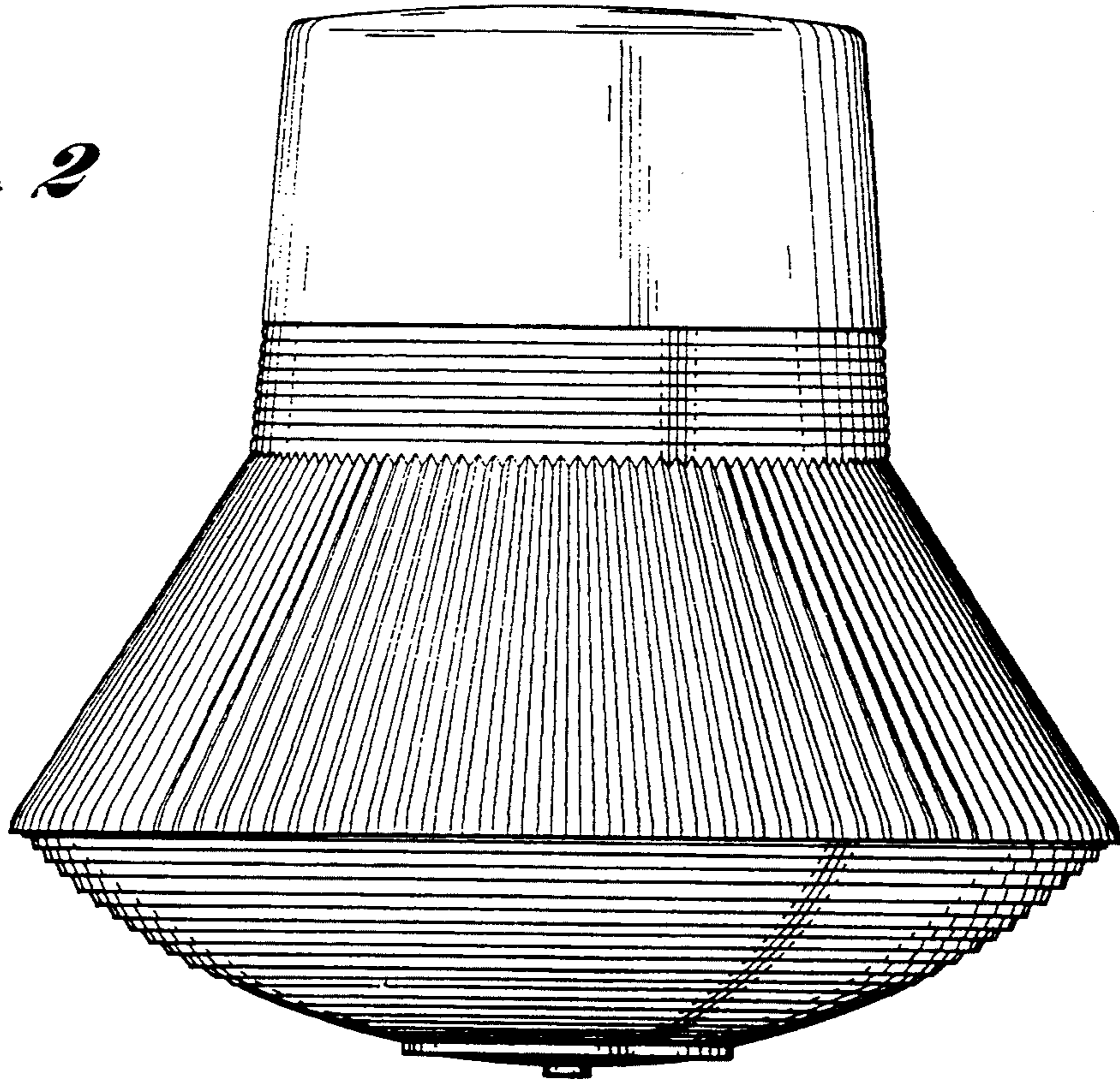
FIG. 1 is a perspective view of a suspended luminaire showing our new design;  
FIG. 2 is a side elevational view;  
FIG. 3 is a top plan view; and,  
FIG. 4 is a bottom plan view.

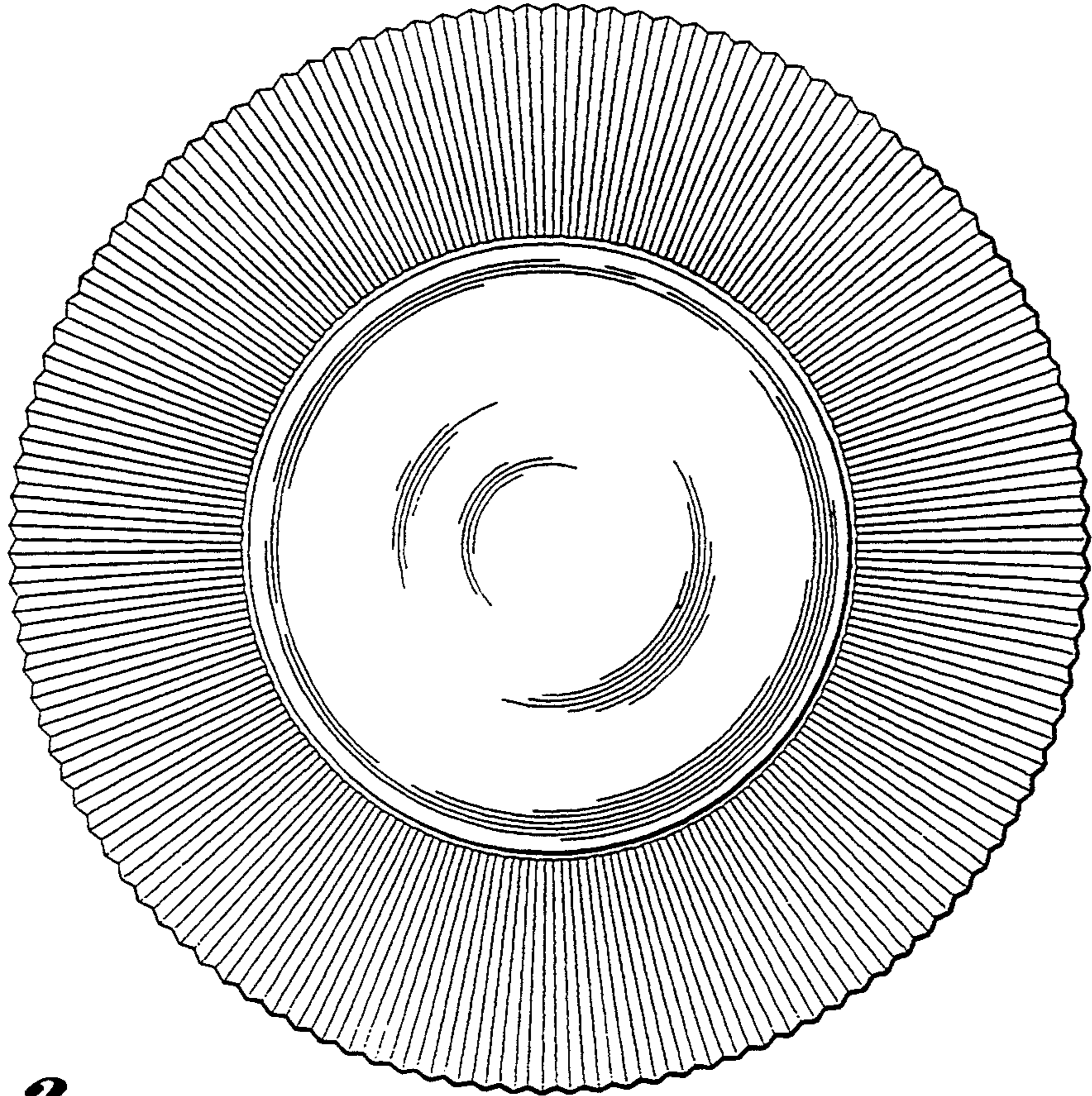


*Fig. 1*

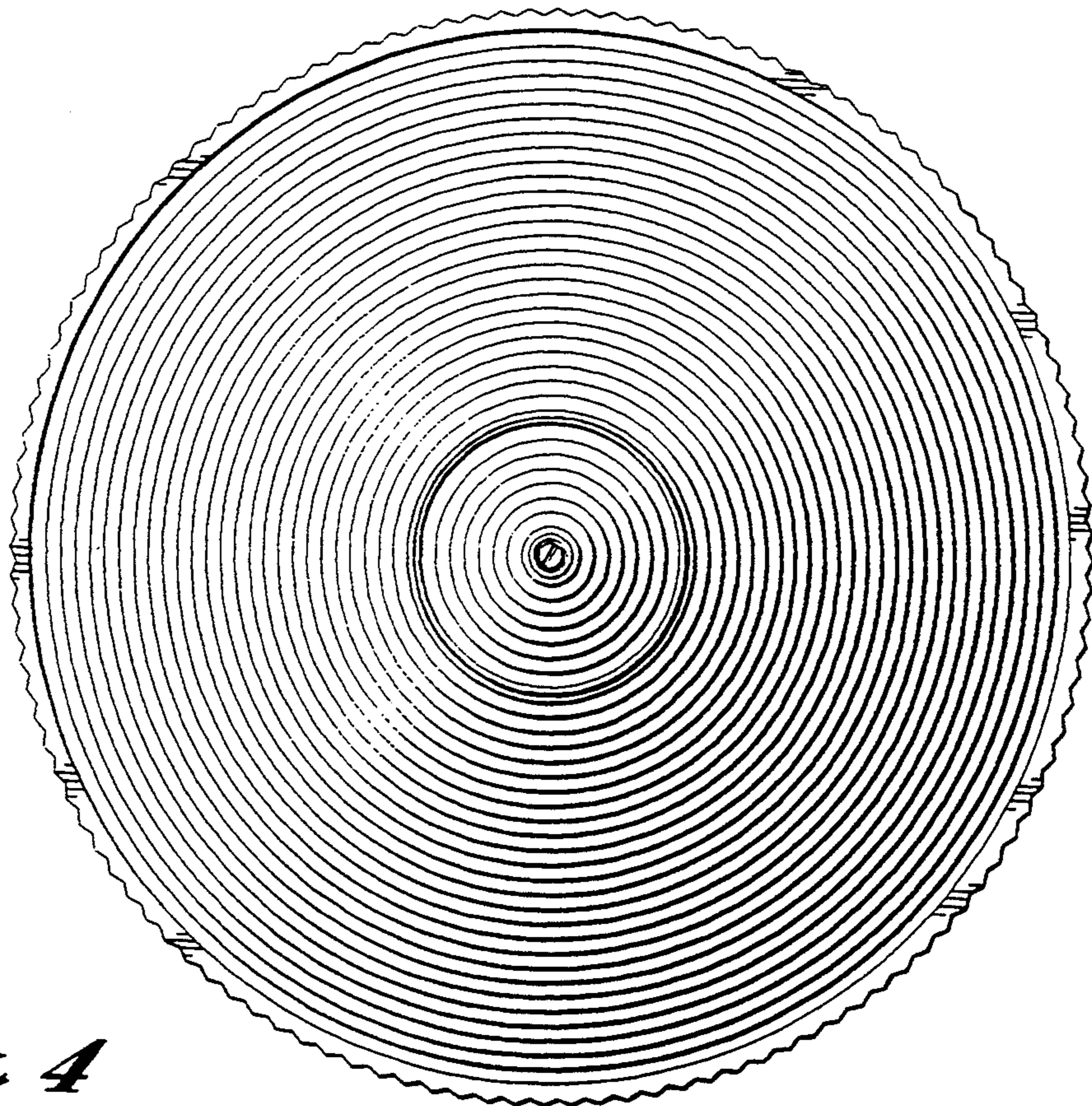


*Fig. 2*





*Fig. 3*



*Fig. 4*