



US00D354579S

United States Patent [19]
Chan

[11] **Patent Number: Des. 354,579**
[45] **Date of Patent: ** Jan. 17, 1995**

[54] **PENDANT LIGHT FIXTURE**

[75] **Inventor: Erik S. Chan, San Francisco, Calif.**

[73] **Assignee: Boyd Lighting Company, San Francisco, Calif.**

[**] **Term: 14 Years**

[21] **Appl. No.: 22,189**

[22] **Filed: Apr. 29, 1994**

[52] **U.S. Cl. D26/88**

[58] **Field of Search D26/72, 80-92;
362/147, 404-408**

[56] **References Cited**

U.S. PATENT DOCUMENTS

D. 97,934 12/1935 Guth D26/88
2,081,326 5/1937 Ebrite 362/404 X

OTHER PUBLICATIONS

American Glass Light Co. Flyer, p. 2, Maxwell pendant Light.

Original Cast™ Lighting Catalog, ©1992, p. 6, Apollo pendant Light #APA-34AJ-BQ1.

Primary Examiner—Susan J. Lucas

Attorney, Agent, or Firm—Townsend & Townsend Khourie & Crew

[57] **CLAIM**

The ornamental design for a pendant light fixture, as shown and described.

DESCRIPTION

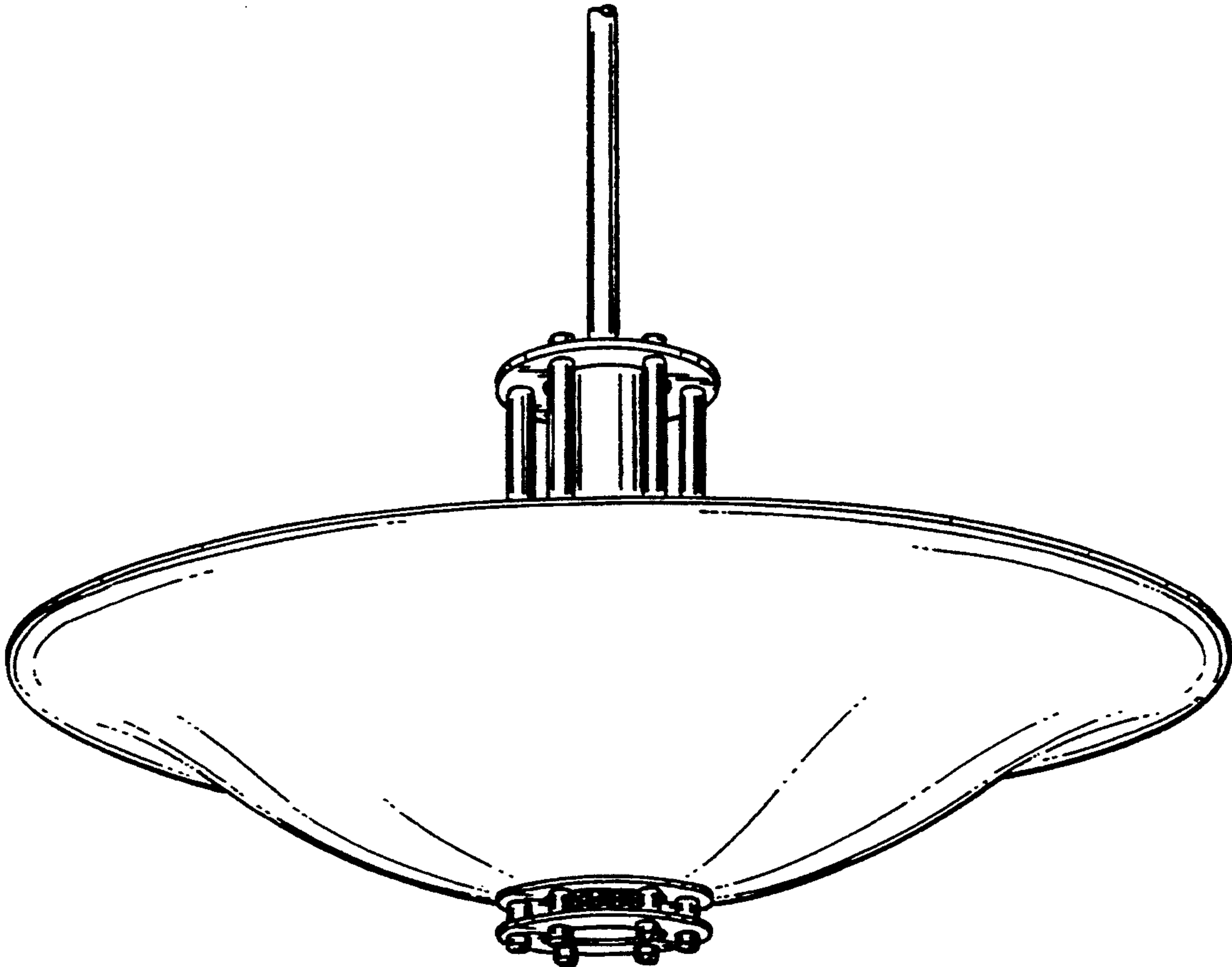
FIG. 1 is a perspective view of a pendant light fixture showing my new design;

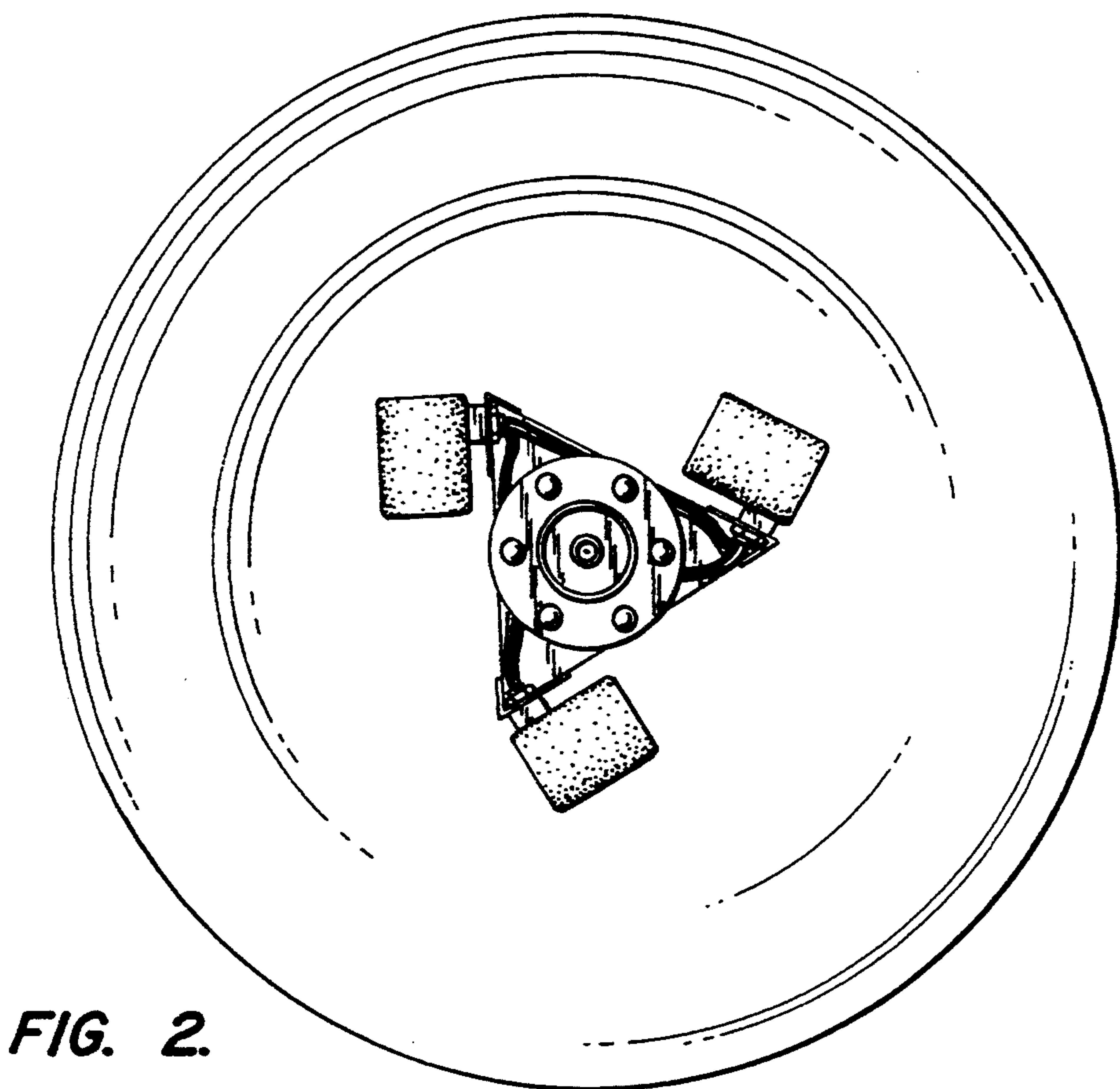
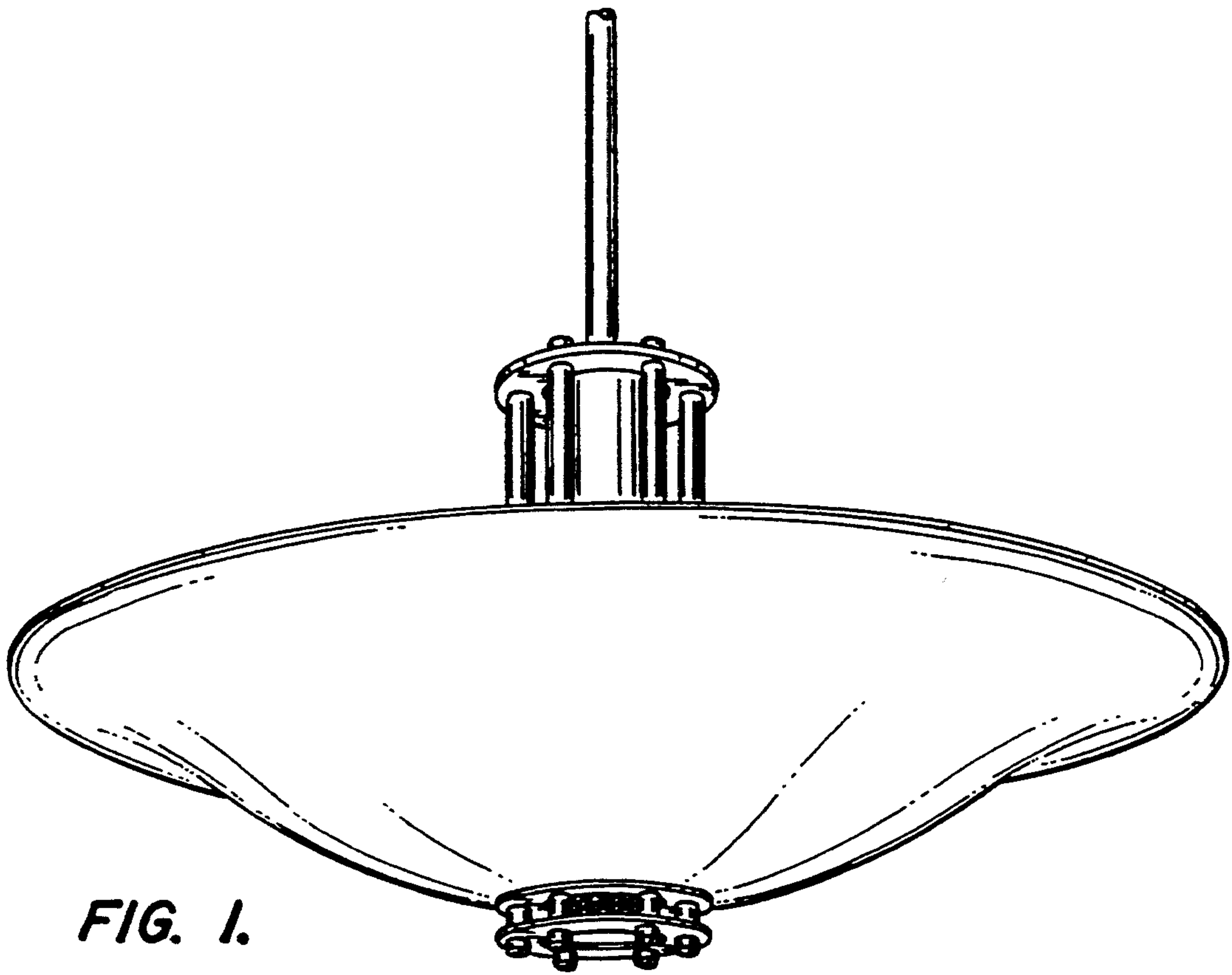
FIG. 2 is a top plan view thereof;

FIG. 3 is a front elevational view thereof, the rear elevational view being a mirror image;

FIG. 4 is a right side elevational view thereof, the left side elevational view being a mirror image; and,

FIG. 5 is a bottom plan view thereof.





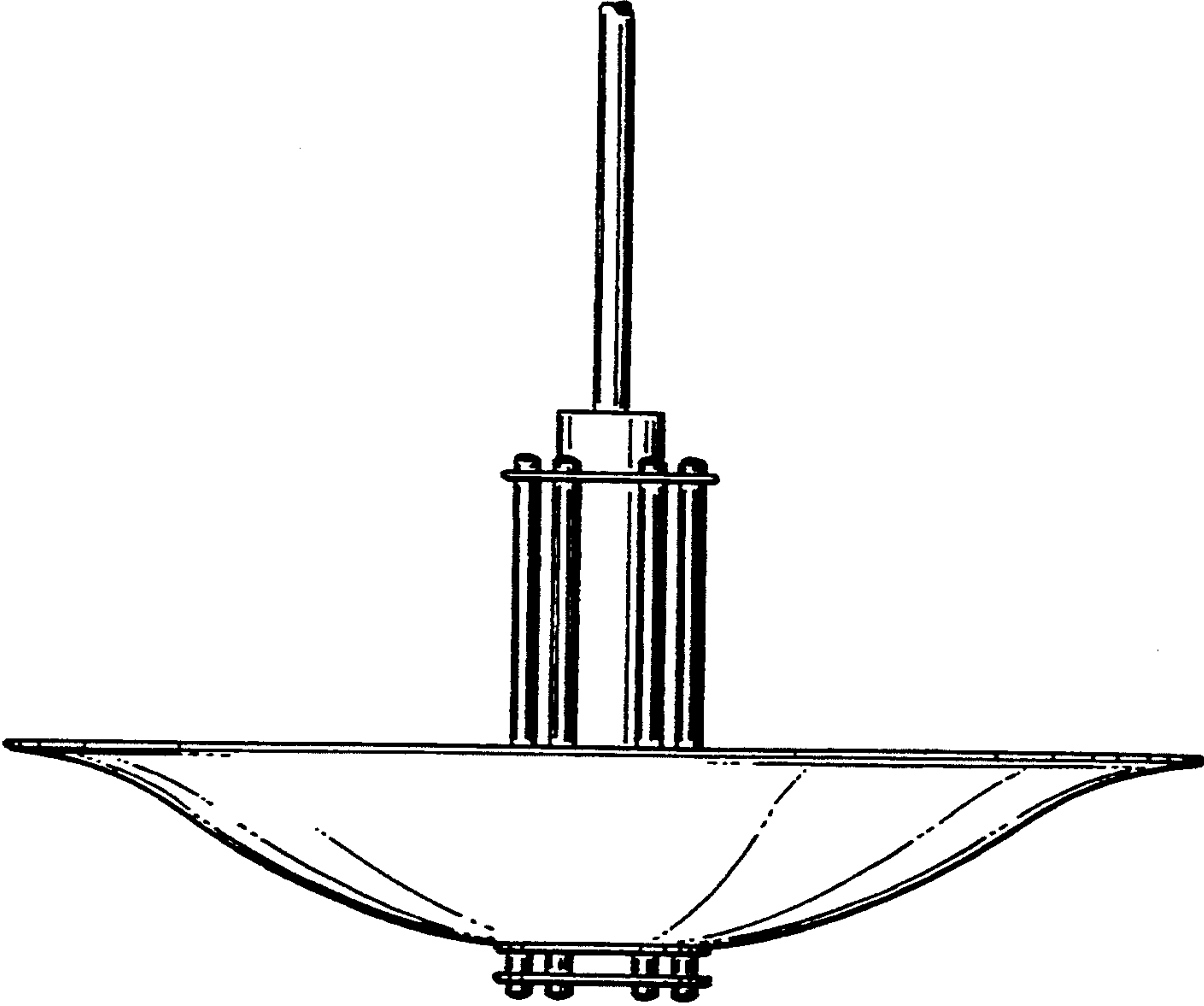


FIG. 3.

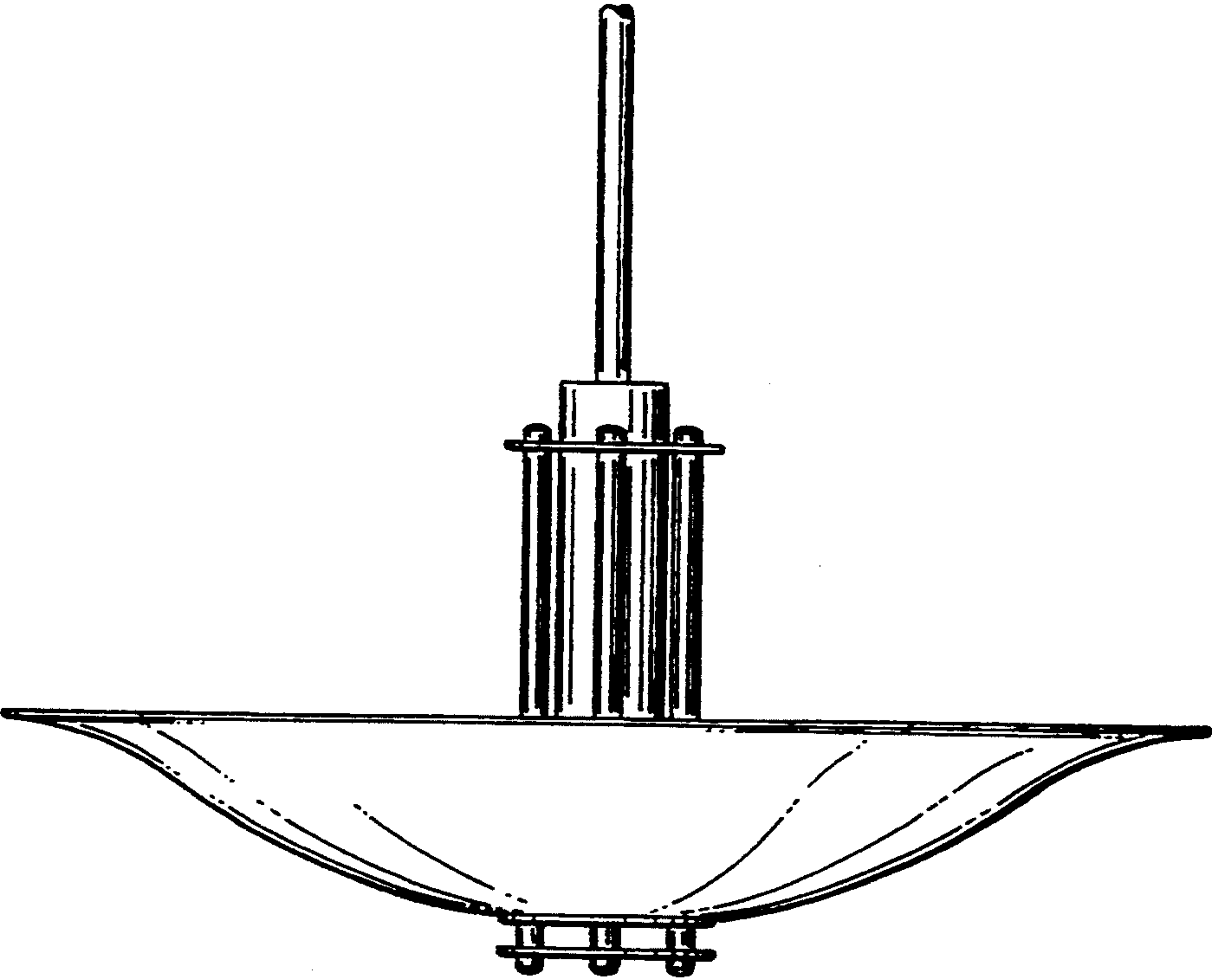


FIG. 4.

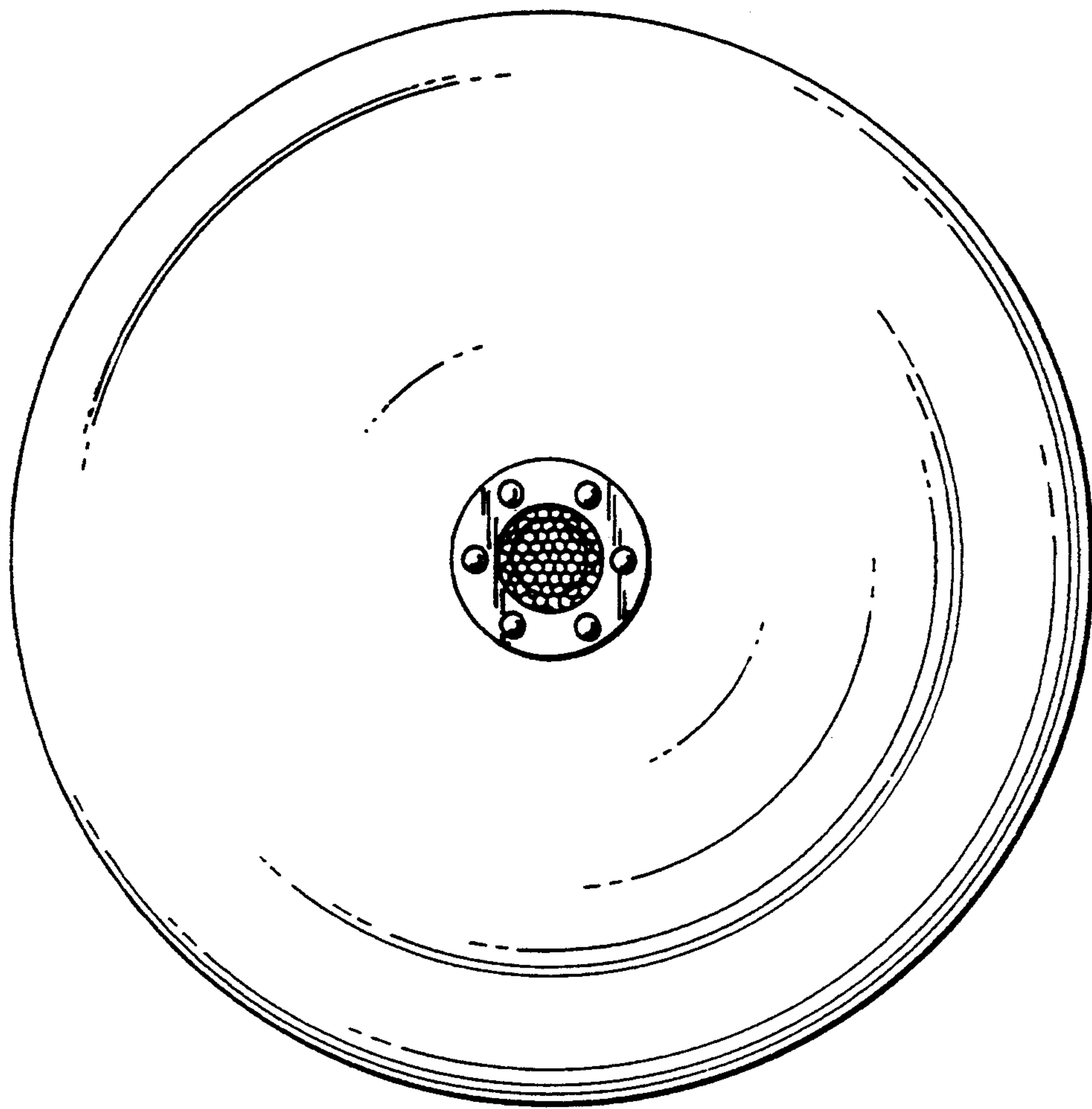


FIG. 5.