



US00D354578S

# United States Patent [19]

Houssin et al.

[11] Patent Number: Des. 354,578

[45] Date of Patent: \*\* Jan. 17, 1995

## [54] SPOTLIGHT

[75] Inventors: Bruno Houssin; Alain Girot; Pierre-Laurent Martin, all of Paris, France

[73] Assignee: Zebulon, Paris, France

[\*\*] Term: 14 Years

[21] Appl. No.: 910,706

[22] Filed: Jul. 8, 1992

[52] U.S. Cl. .... D26/63; D26/87

[58] Field of Search ..... D26/60, 61, 63, 65, D26/72, 80-92; 362/147, 269, 275, 285, 418, 419, 427

## [56] References Cited

### U.S. PATENT DOCUMENTS

3,108,751	10/1963	Rodmaker et al. ....	362/427
4,464,707	8/1984	Forrest .....	362/427 X
4,528,618	7/1985	Bitsch .....	362/269 X

Primary Examiner—Susan J. Lucas  
Attorney, Agent, or Firm—Felfe & Lynch

## [57] CLAIM

The ornamental design for a spotlight, as shown and described.

## DESCRIPTION

FIG. 1 is a perspective view of a spotlight showing our new design, said assembly comprising a single elongated housing for spotlights and two mounting arms, each attached to an end of said housing;

FIG. 2 is a side view of the spotlight assembly of FIG. 1 as seen from the left side and mounted on a horizontally projecting bracket which is not part of our new design;

FIG. 3 is a bottom plan view of the embodiment shown in FIG. 1;

FIG. 4 is an alternate embodiment of the design shown in FIG. 1;

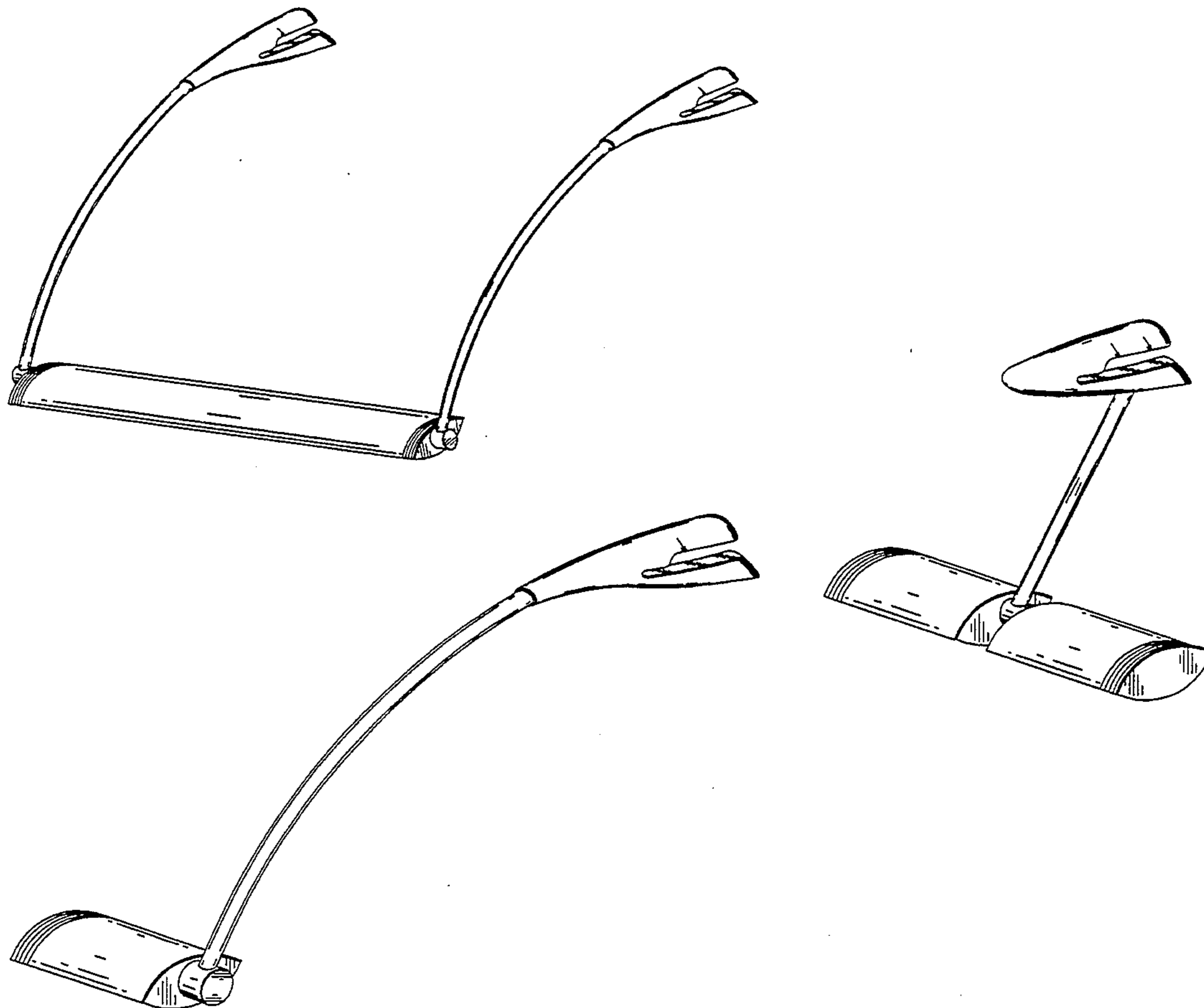
FIG. 5 is a perspective view of an alternate embodiment of our design in which the housing is reduced in size and in which there is only a single mounting arm;

FIG. 6 is an alternate embodiment of the design shown in FIG. 5;

FIG. 7 is a perspective view of an alternate embodiment of our design in which there are two housings of the type shown in FIG. 5, both attached on a single mounting arm; and,

FIG. 8 is an alternate embodiment of the design shown in FIG. 7.

The horizontal bracket is shown in broken lines for illustrative purposes only and forms no part of the claimed design.



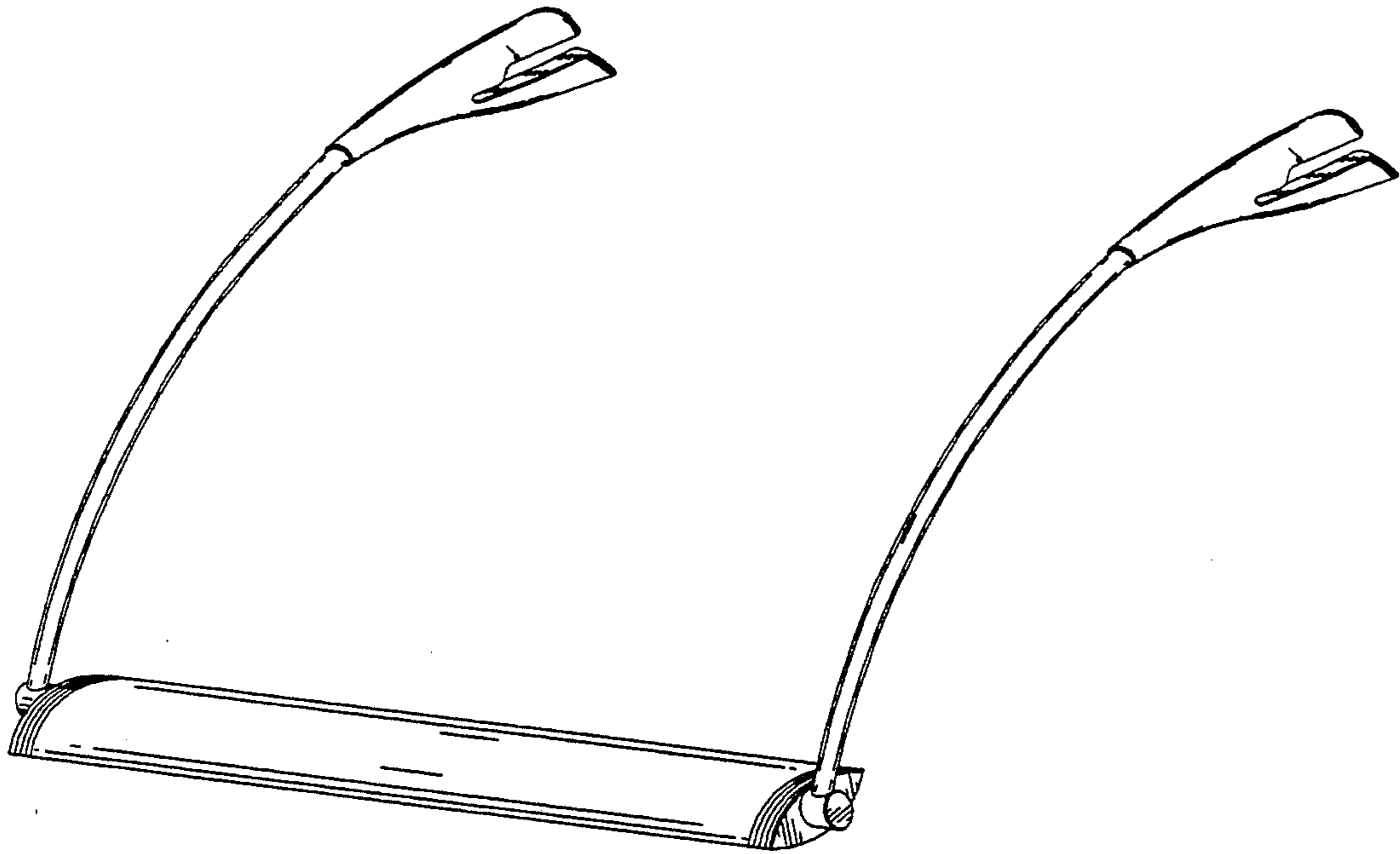


FIG. 1

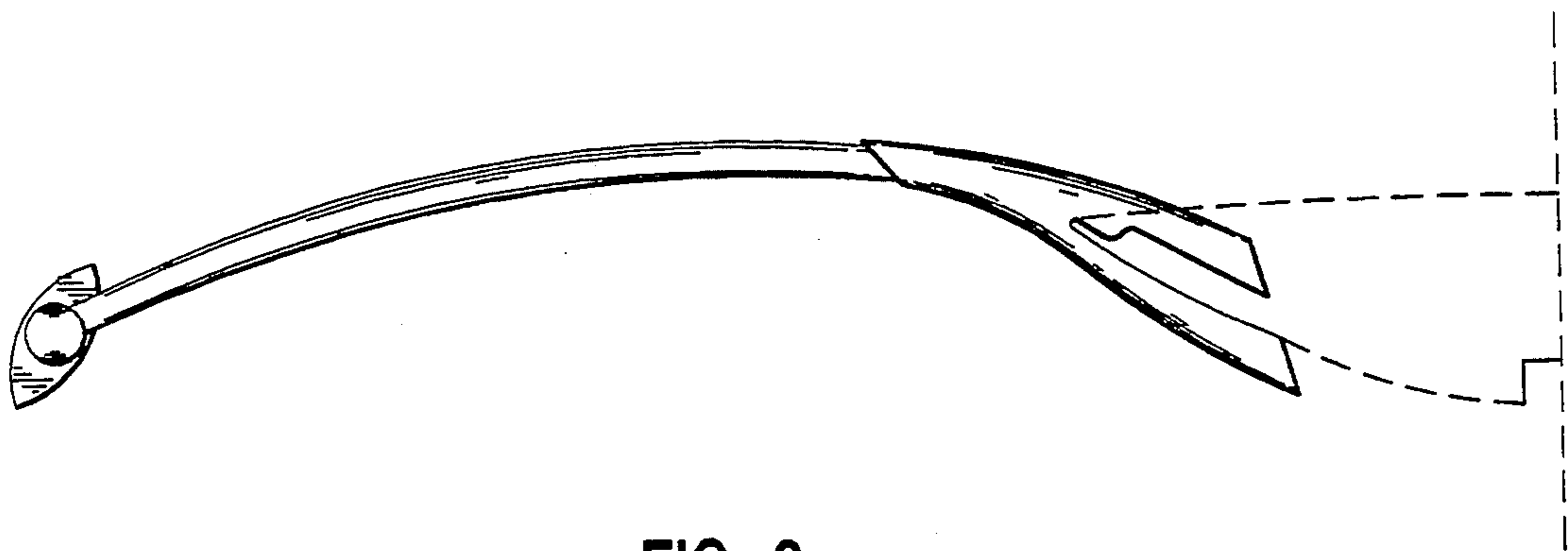


FIG. 2

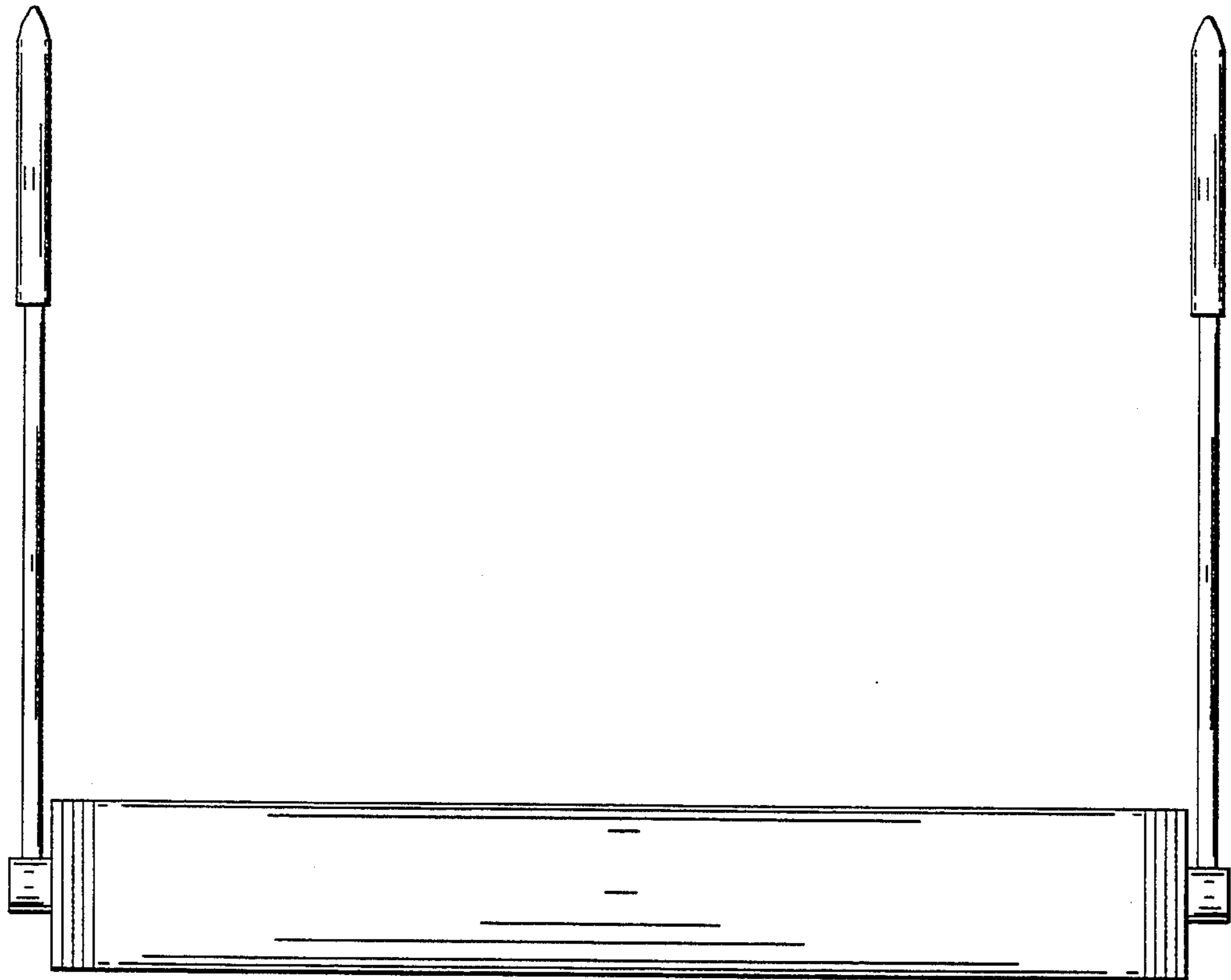


FIG. 3

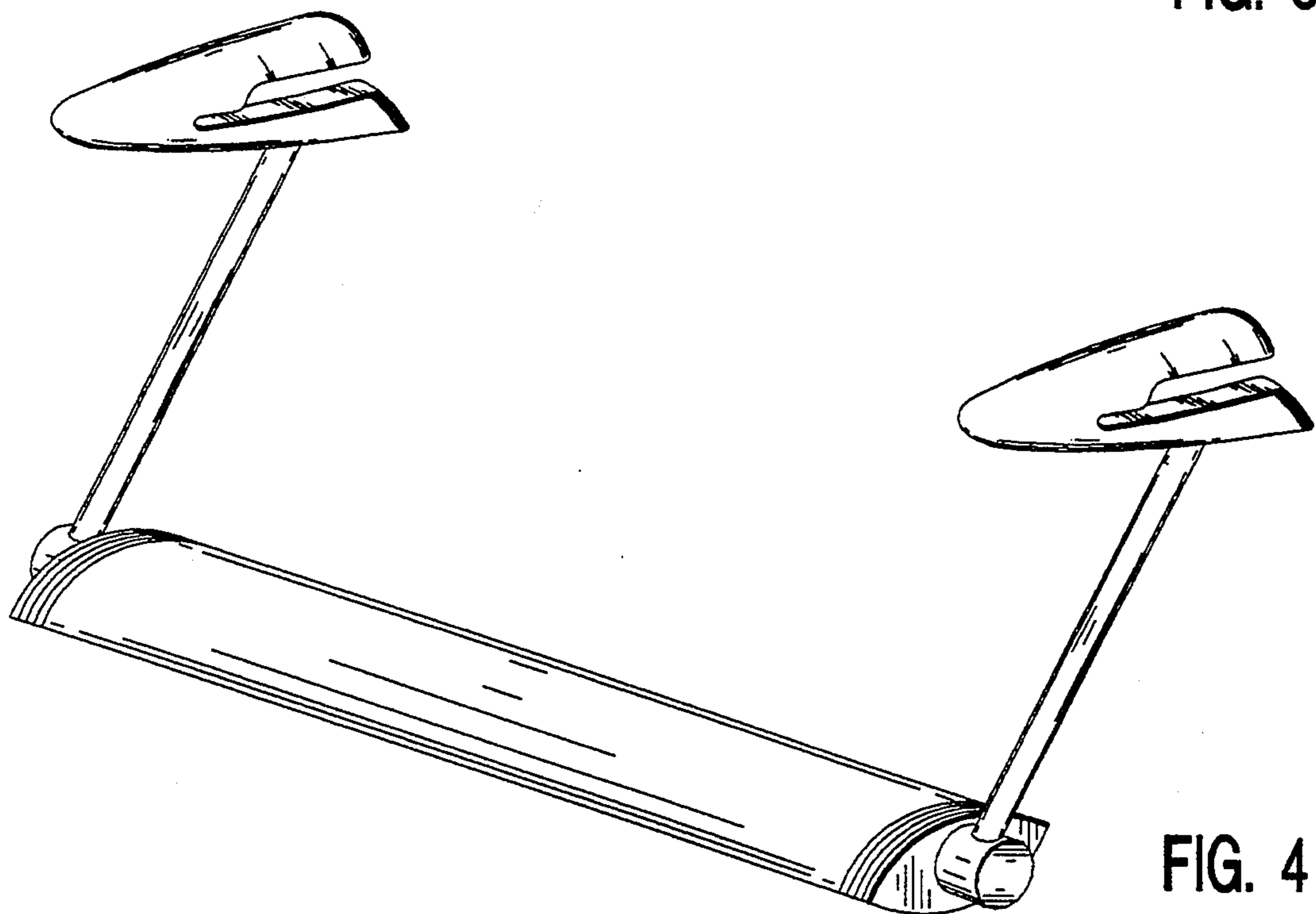
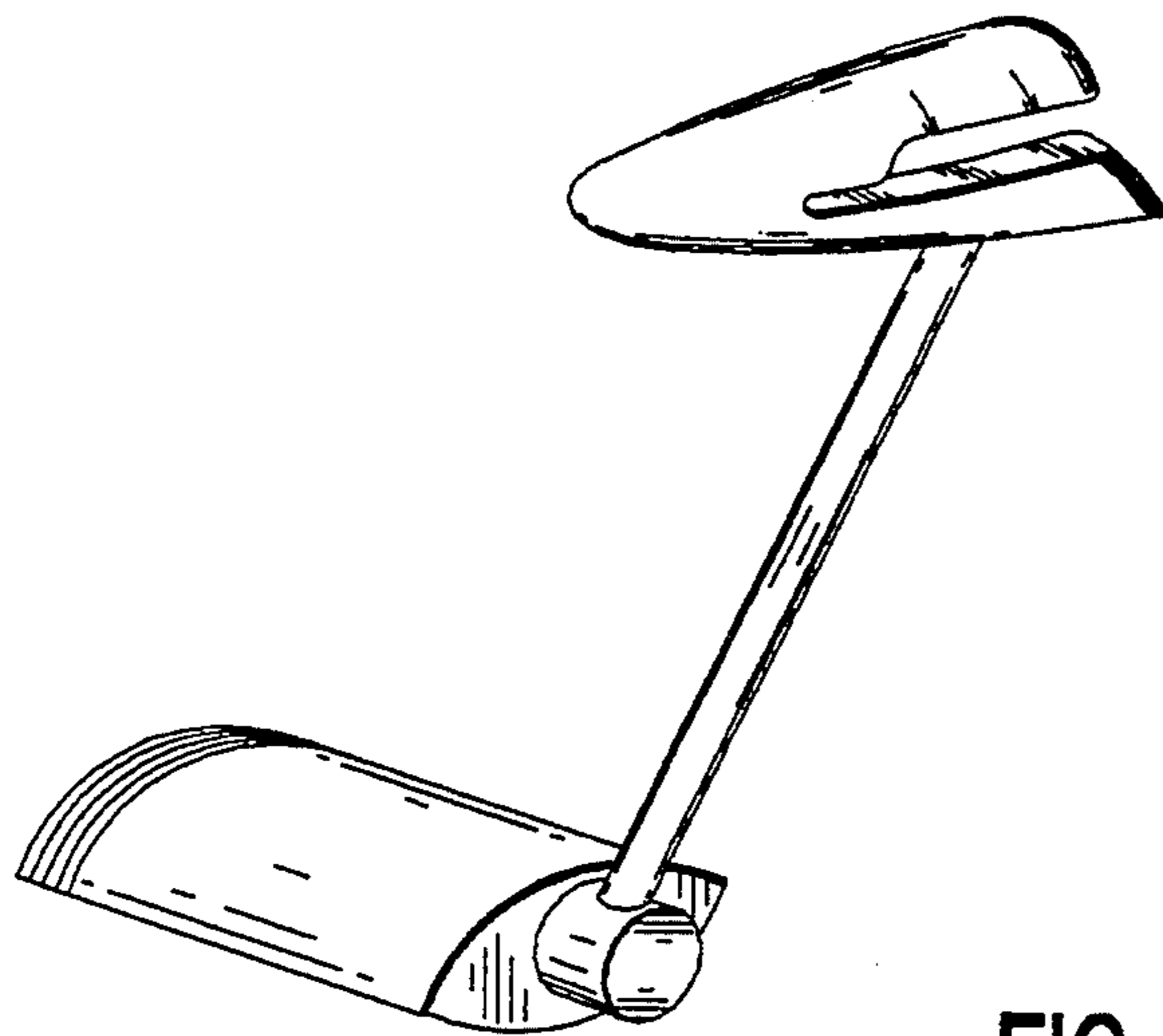
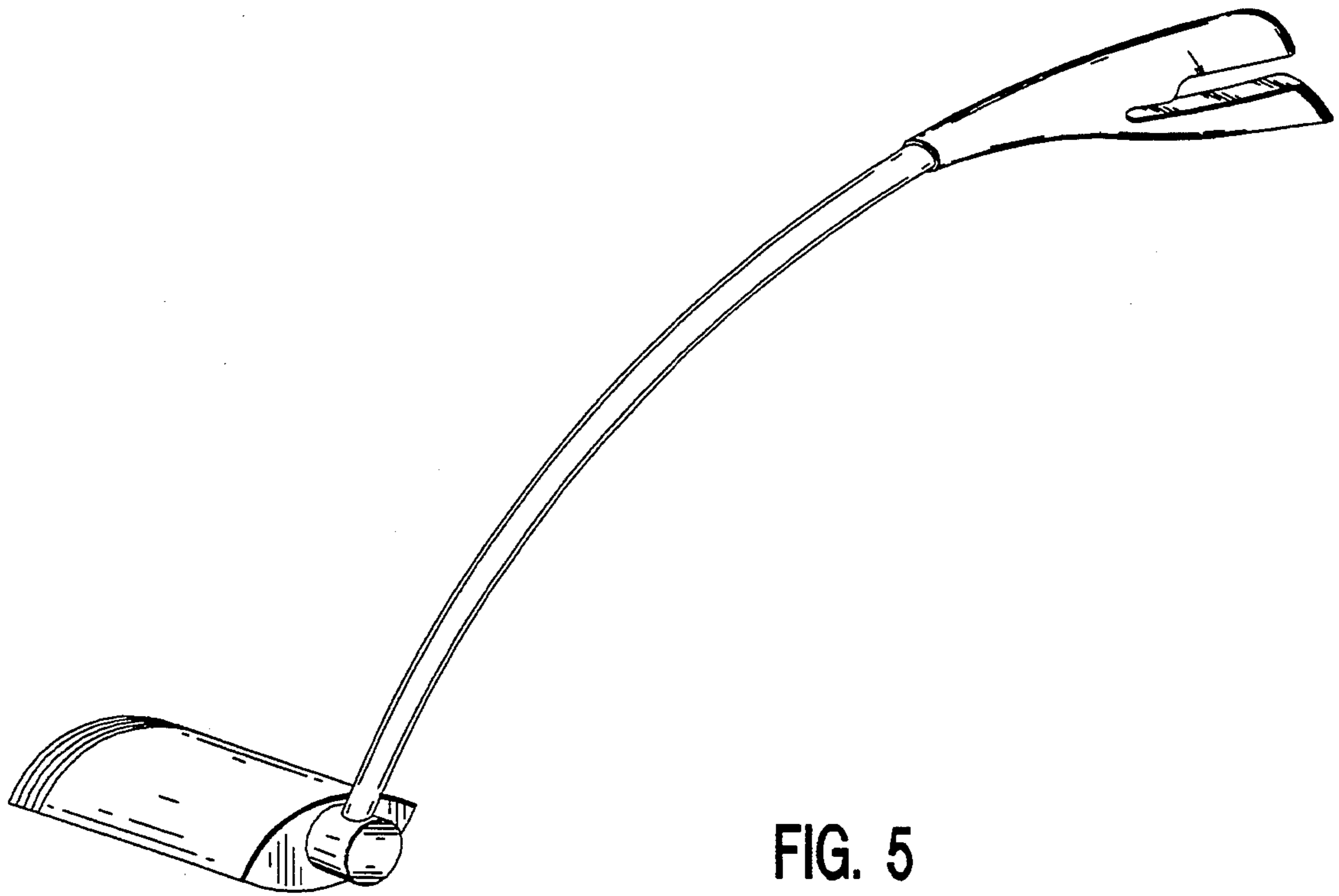


FIG. 4



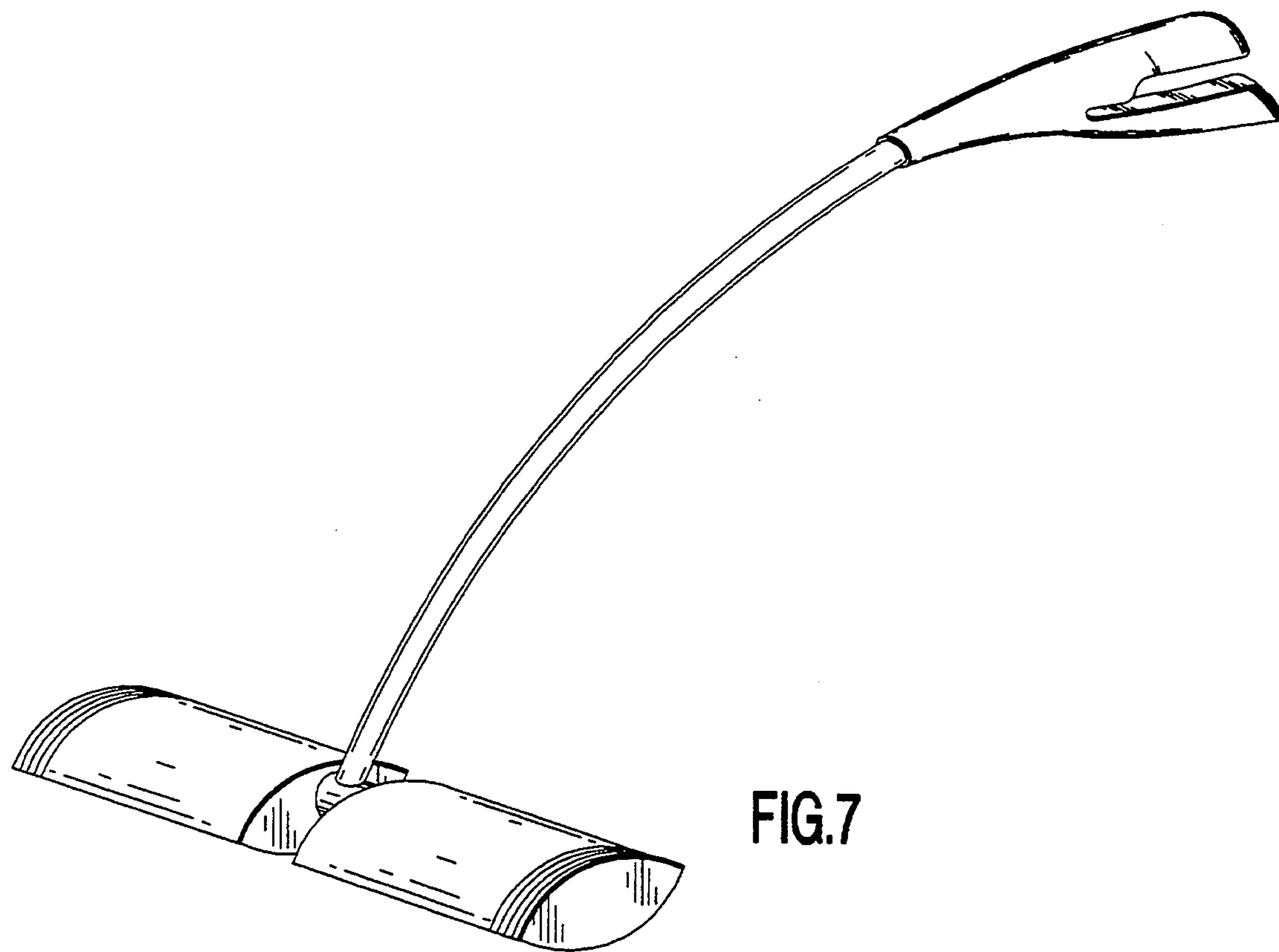


FIG. 7

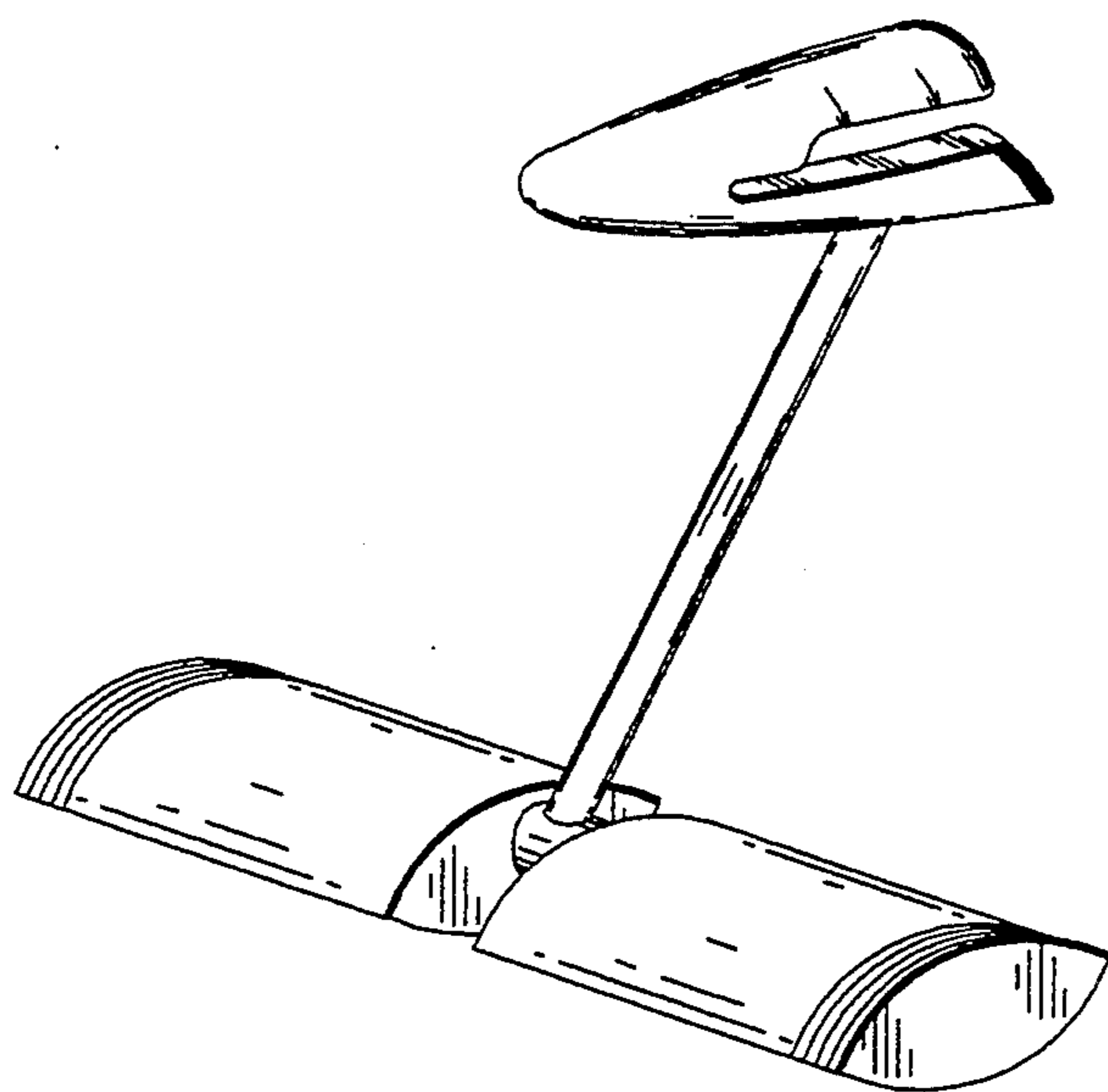


FIG. 8