



US00D354576S

United States Patent [19]

[11] Patent Number: **Des. 354,576**

Weinig

[45] Date of Patent: **** Jan. 17, 1995**

[54] **CONCRETE FORM PANEL**

[76] Inventor: **Richard Weinig**, 1040 Canyon Rd.,
Forestville, Calif. 95436

[**] Term: **14 Years**

[21] Appl. No.: **13,348**

[22] Filed: **Sep. 23, 1993**

[52] U.S. Cl. **D25/199**

[58] Field of Search D25/102, 199, 138;
249/18, 13, 33, 40-46, 188, 213, 214, 217, 216,
190-191, 219.1, 219.2

3,797,800 3/1974 Loy 249/188
3,938,776 2/1976 Frazier 249/190
4,033,544 7/1977 Johnston .
4,723,752 2/1988 Thomas 249/219.1

Primary Examiner—A. Hugo Word
Assistant Examiner—Doris Clark
Attorney, Agent, or Firm—Terry M. Gernstein

[57] CLAIM

The ornamental design for a concrete form panel, as shown and described.

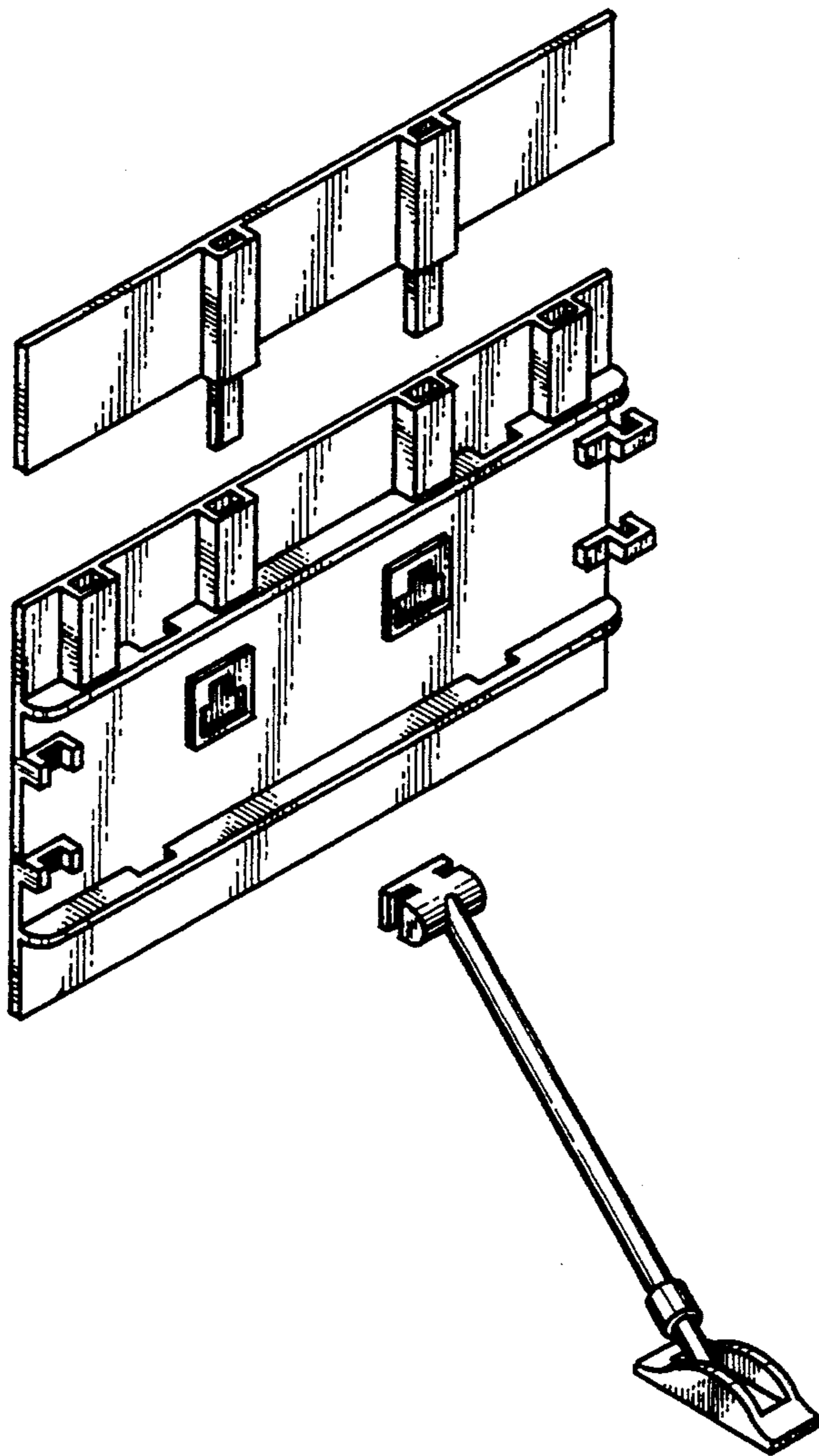
DESCRIPTION

FIG. 1 is a rear, top and side exploded perspective view of the concrete form panel showing my new design; FIG. 2 is a front elevational view thereof in the assembled condition; FIG. 3 is a rear elevational view thereof; FIG. 4 is a side elevational view thereof, the side opposite being a mirror image of the side shown in FIG. 4; FIG. 5 is a top plan view thereof; and, FIG. 6 is a bottom plan view thereof.

[56] **References Cited**

U.S. PATENT DOCUMENTS

1,350,603 8/1920 Gerritson et al. 249/188
1,722,038 7/1929 Dougherty D25/199
2,217,278 10/1940 Kanter D25/199
2,763,048 9/1956 Sullivan .
3,300,943 1/1967 Owens 249/219.1
3,549,115 12/1970 Williams 249/33
3,664,630 5/1972 Maynen .



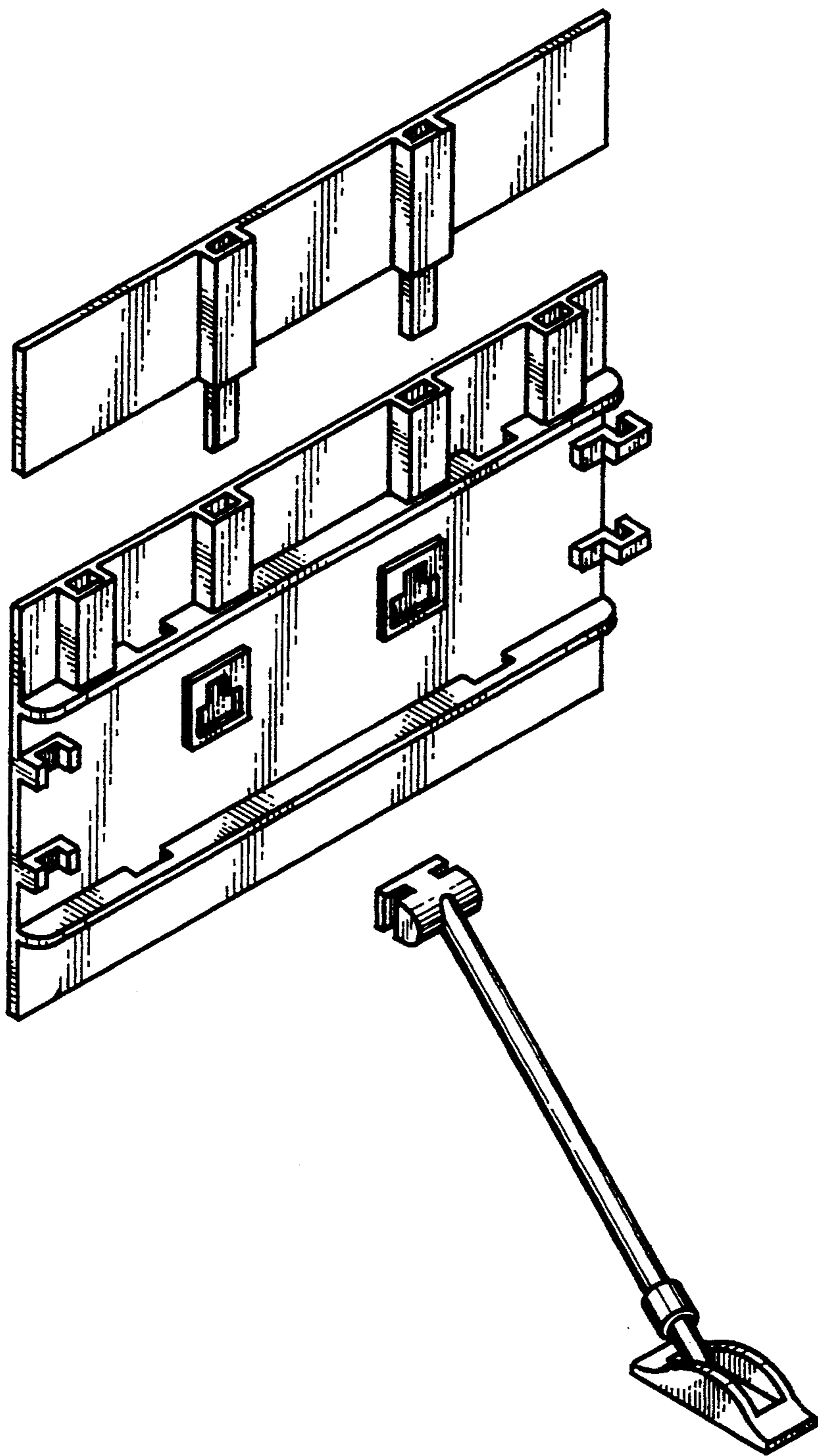


FIG. 1

FIG. 2

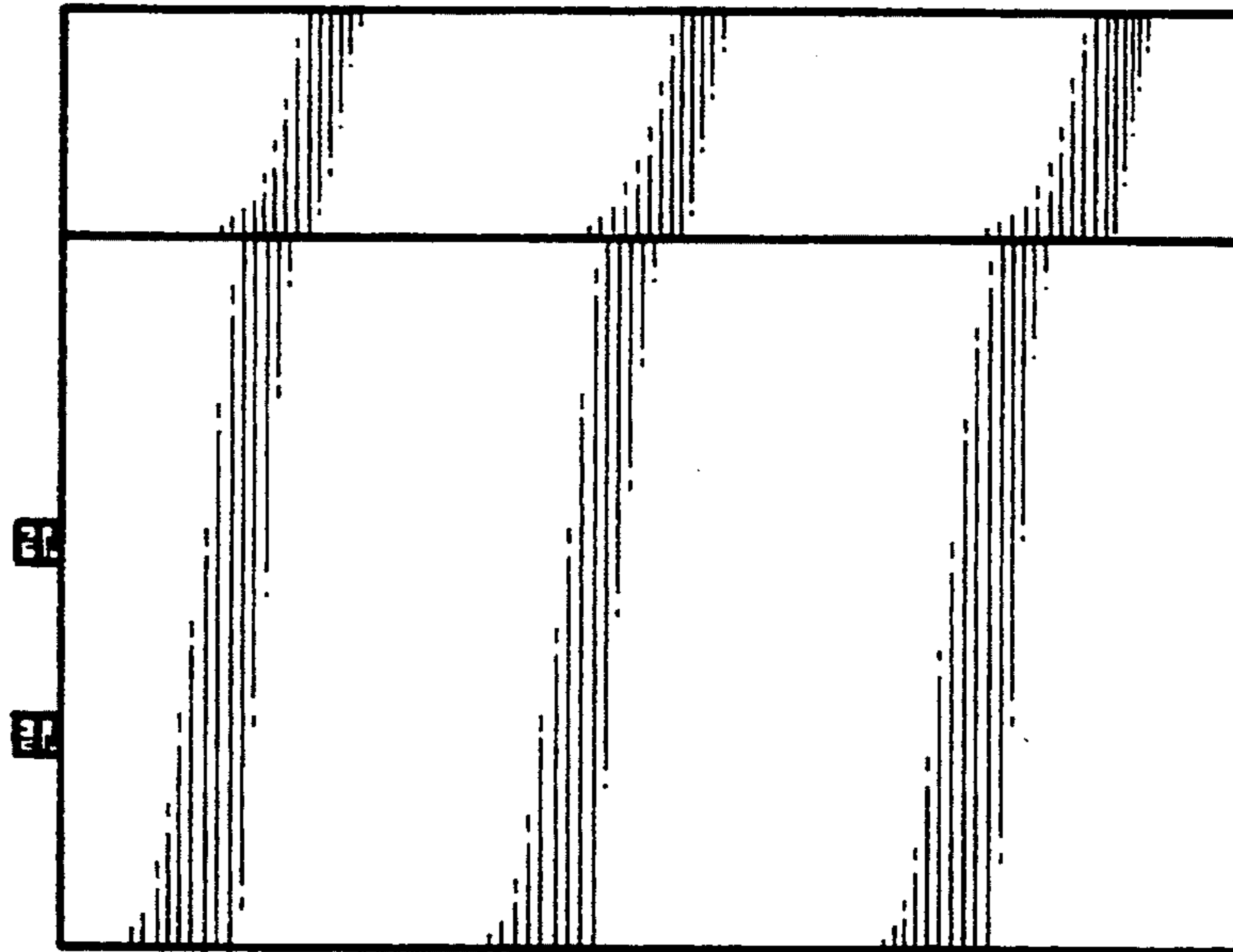
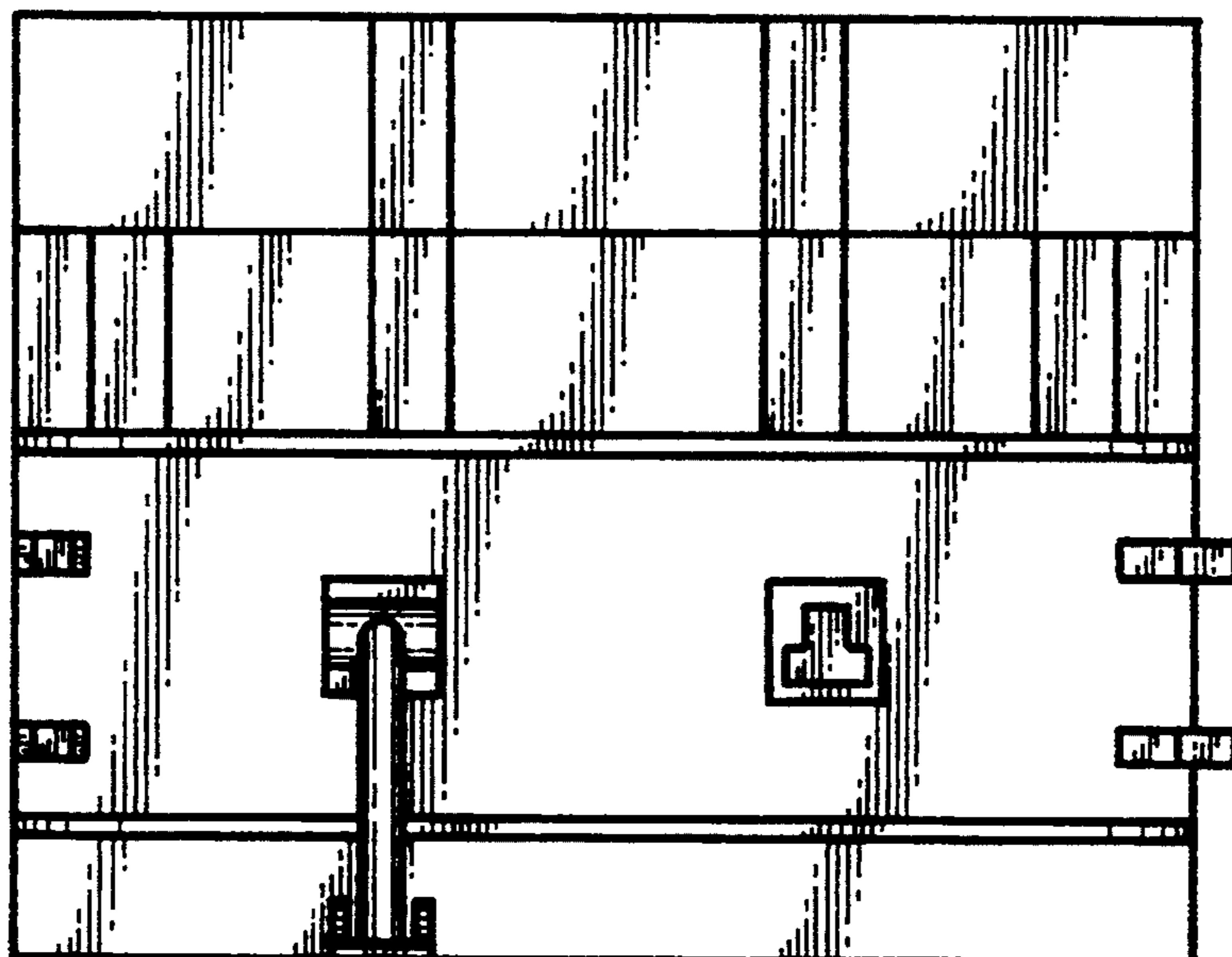


FIG. 3



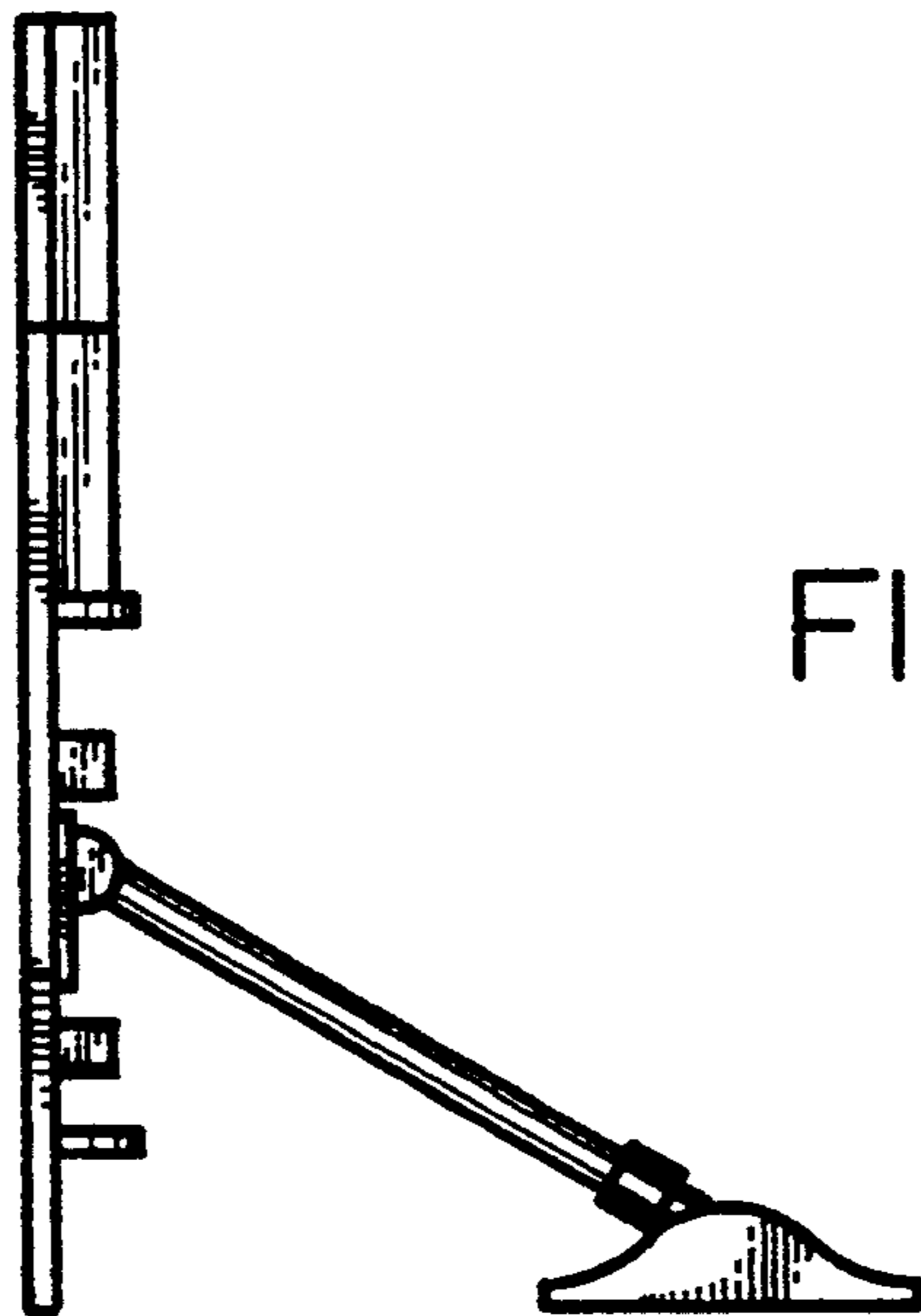


FIG. 4

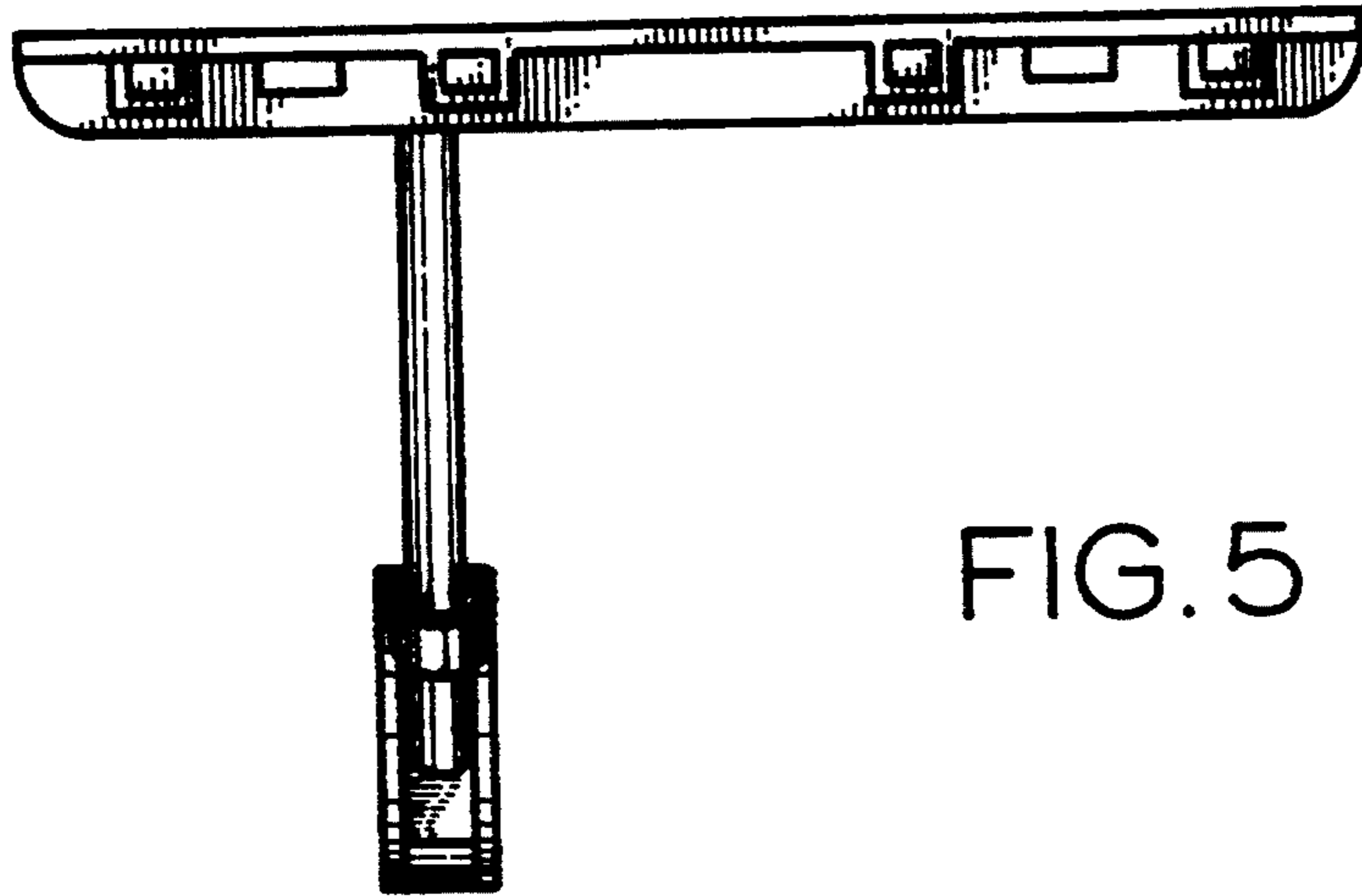


FIG. 5

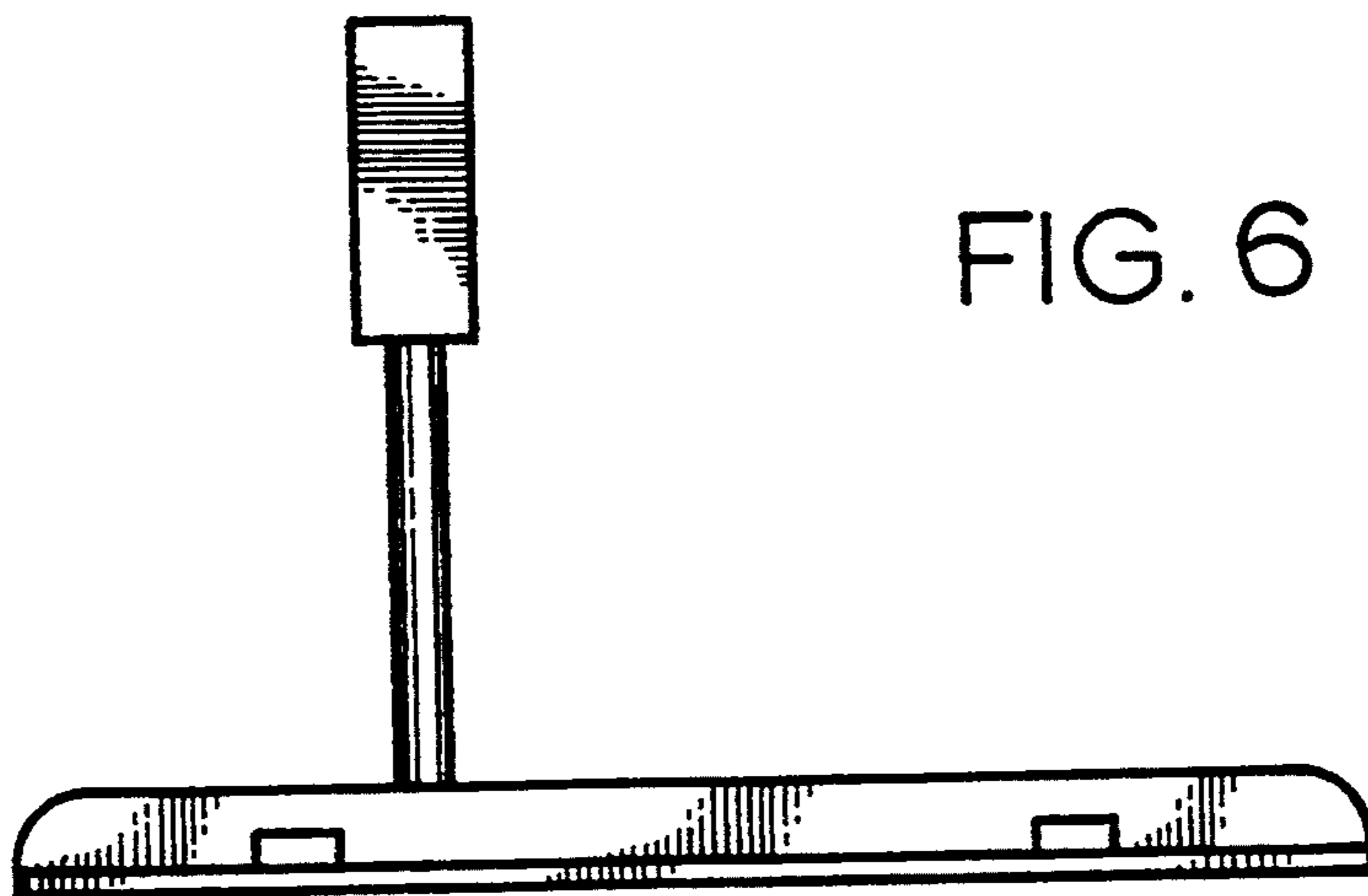


FIG. 6