



US00D354573S

United States Patent [19]

Hosseini

[11] Patent Number: **Des. 354,573**

[45] Date of Patent: **** Jan. 17, 1995**

- [54] WINDOW COMPONENT EXTRUSION
- [75] Inventor: **Sam S. Hosseini**, Seattle, Wash.
- [73] Assignee: **Mikron Industries**, Kent, Wash.
- [**] Term: **14 Years**
- [21] Appl. No.: **10,812**
- [22] Filed: **Jul. 19, 1993**
- [52] U.S. Cl. **D25/124**
- [58] Field of Search **D25/52, 124; 49/DIG. 2, 49/504, 505; 52/204.1, 204.5**

- D. 342,797 12/1993 Cole 125/124
- 4,689,933 9/1987 Biro 52/204.5
- 4,831,781 5/1989 Morton 49/DIG. 2

Primary Examiner—A. Hugo Word
Assistant Examiner—Doris Clark
Attorney, Agent, or Firm—Seed and Berry

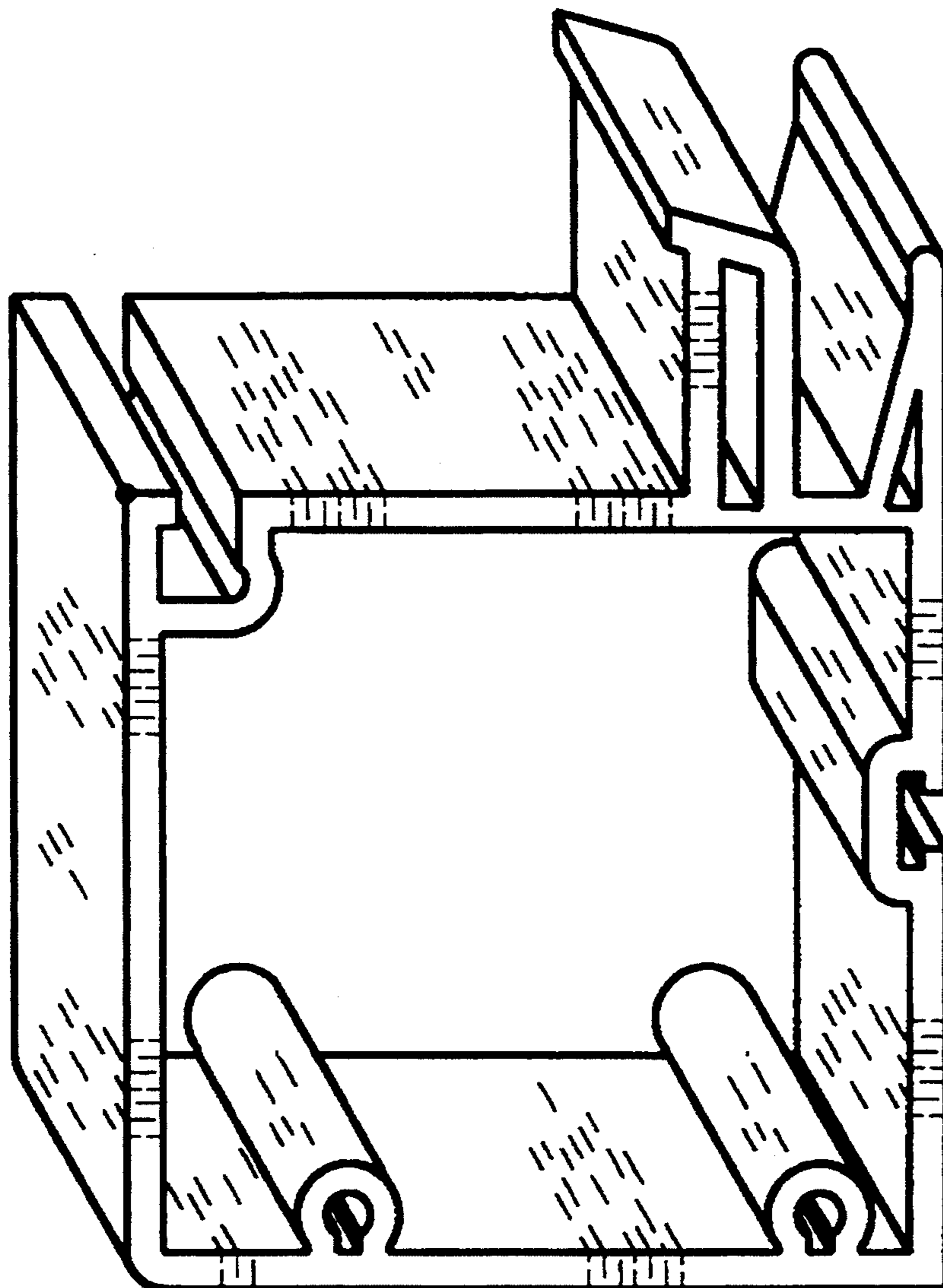
[57] CLAIM

The ornamental design for a window component extrusion, as shown and described.

DESCRIPTION

FIG. 1 is a top right perspective view of a window component extrusion showing my new design, the window component extrusion being of indefinite length; and,
 FIG. 2 is a bottom left perspective view thereof.

- [56] **References Cited**
- U.S. PATENT DOCUMENTS**
- D. 307,486 4/1990 Westphal et al. 125/124



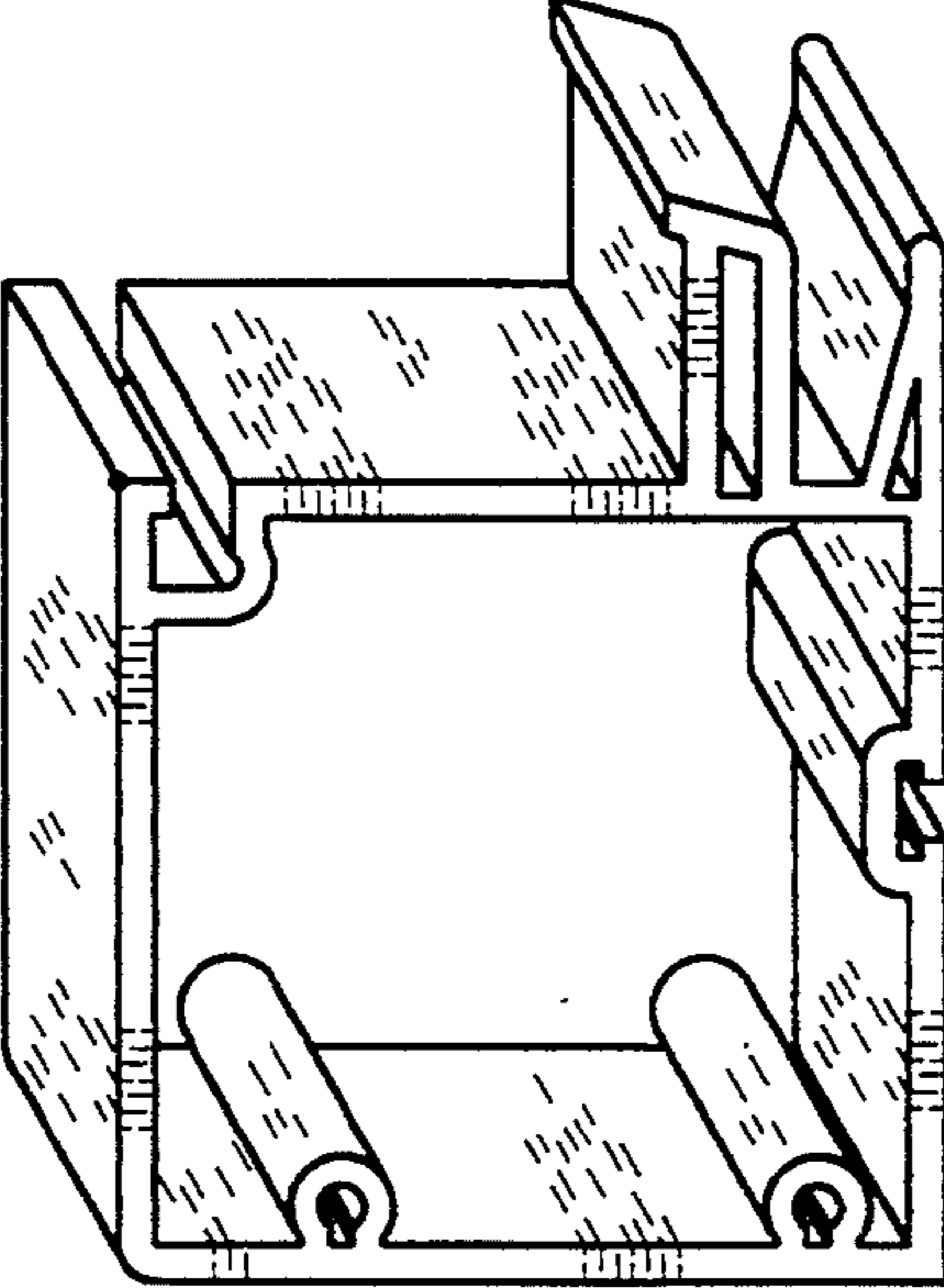


FIG. 1

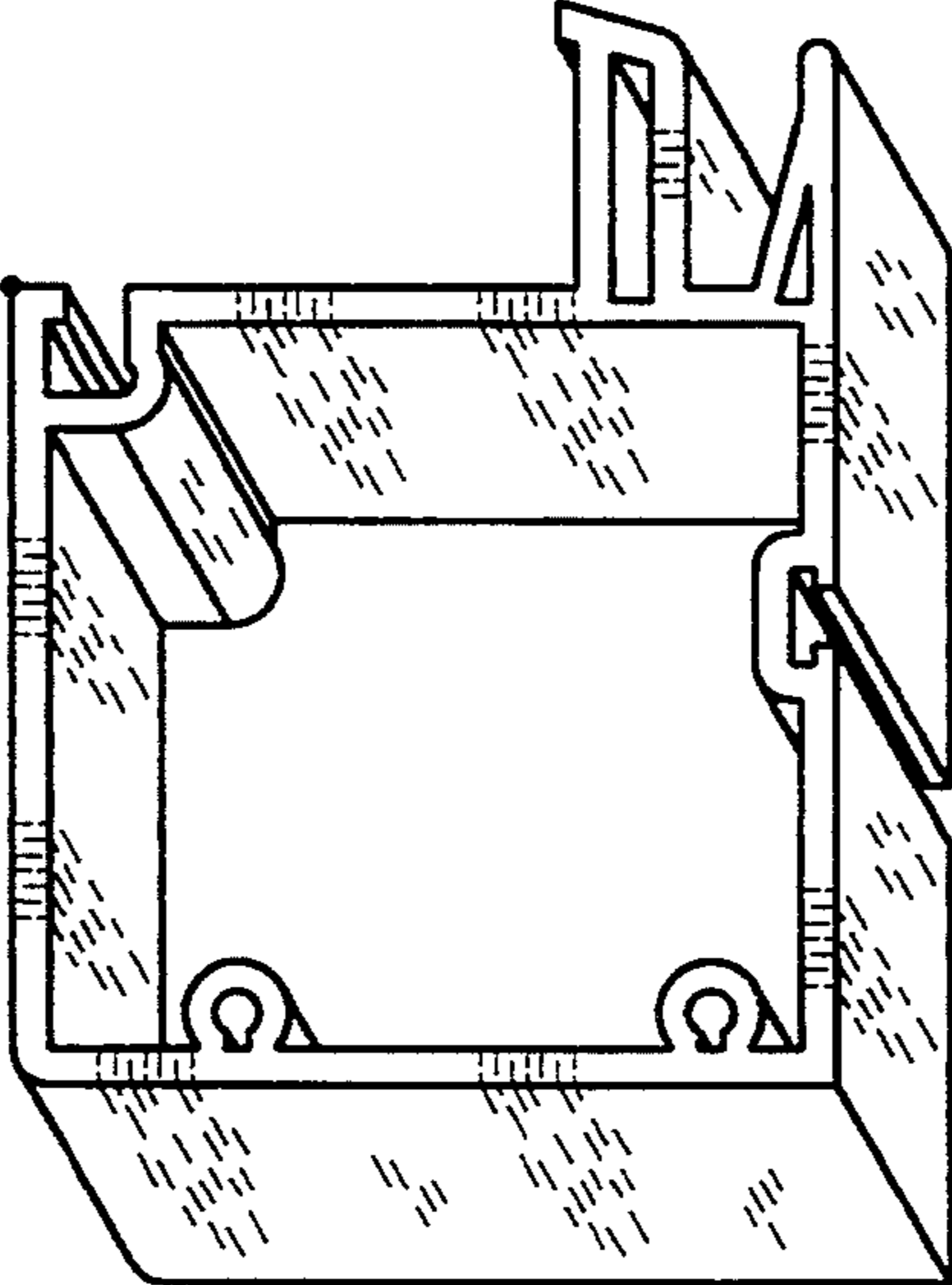


FIG. 2