



US00D354571S

United States Patent [19]
Monti

[11] **Patent Number: Des. 354,571**

[45] **Date of Patent: ** Jan. 17, 1995**

[54] **MASSAGER**

[75] **Inventor: Sergio Monti, Cademario, Switzerland**

[73] **Assignee: European Prudential Investments N.V., Netherlands Antilles**

[**] **Term: 14 Years**

[21] **Appl. No.: 17,130**

[22] **Filed: Jan. 6, 1994**

[52] **U.S. Cl. D24/215**

[58] **Field of Search D24/215, 214, 200; 601/84, 85, 134, 136, 137**

[56] **References Cited**

U.S. PATENT DOCUMENTS

- D. 329,093 9/1992 Marshall et al. D24/214
- D. 331,466 12/1992 Doria D24/200
- D. 346,660 5/1994 Chiang D24/215

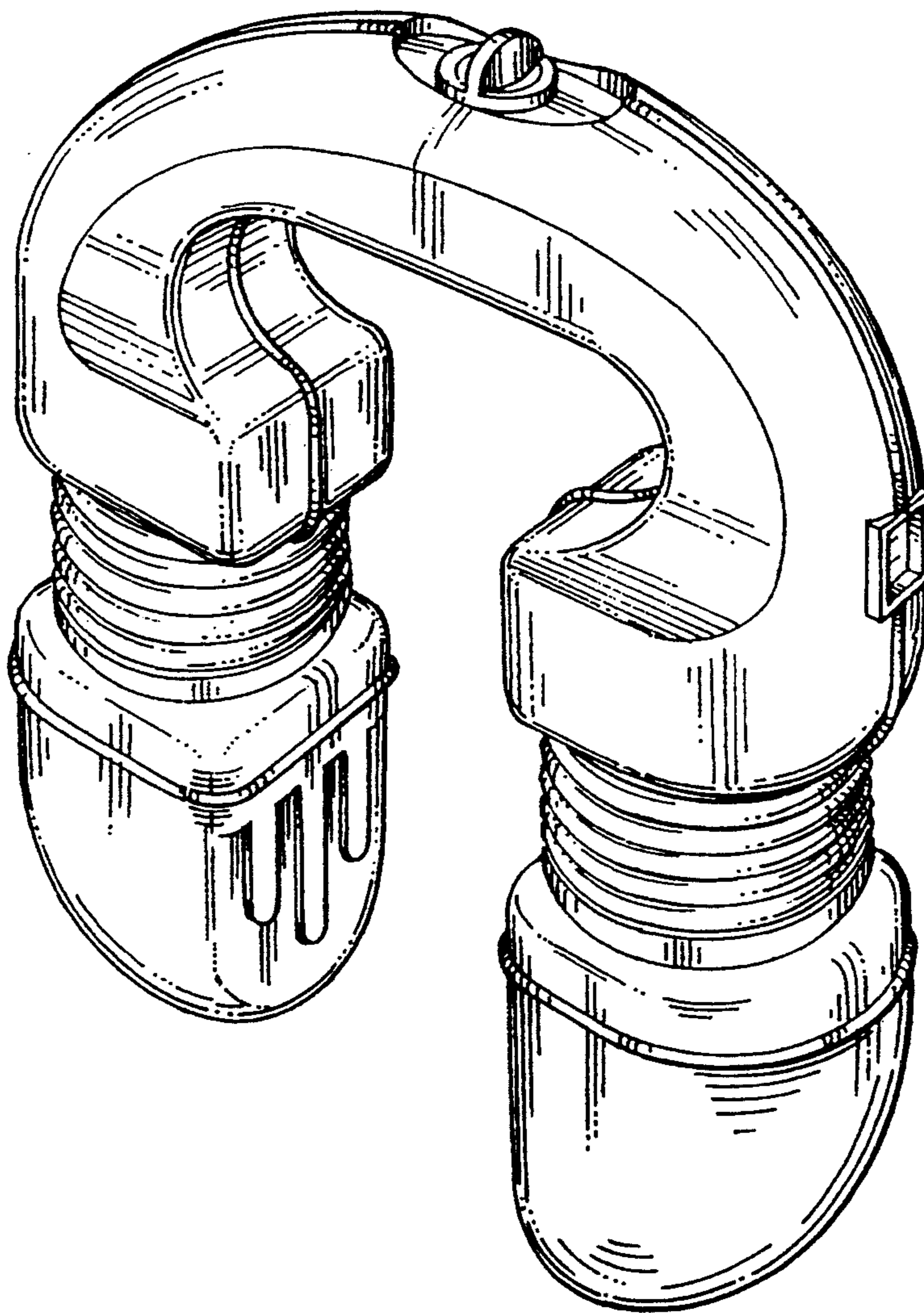
Primary Examiner—Stella Reid
Attorney, Agent, or Firm—Juettner Pyle Lloyd & Piontek

[57] **CLAIM**

The ornamental design for a massager, as shown.

DESCRIPTION

FIG. 1 is a perspective view of a massager of the present invention;
 FIG. 2 is a front view thereof;
 FIG. 3 is a top view thereof;
 FIG. 4 is a bottom view thereof;
 FIG. 5 is a view from one side thereof; and,
 FIG. 6 is a view from the other side thereof.



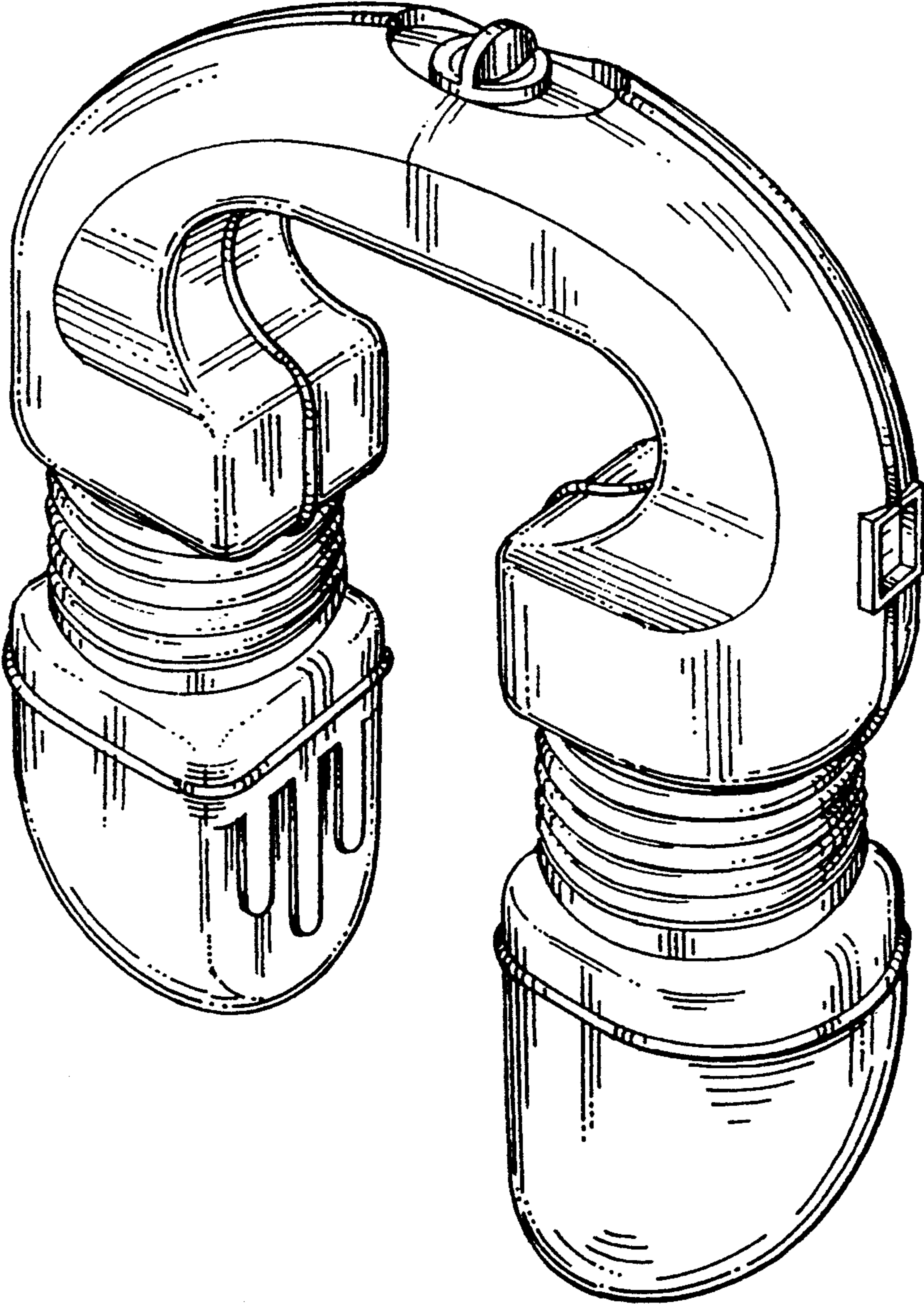


FIG.1

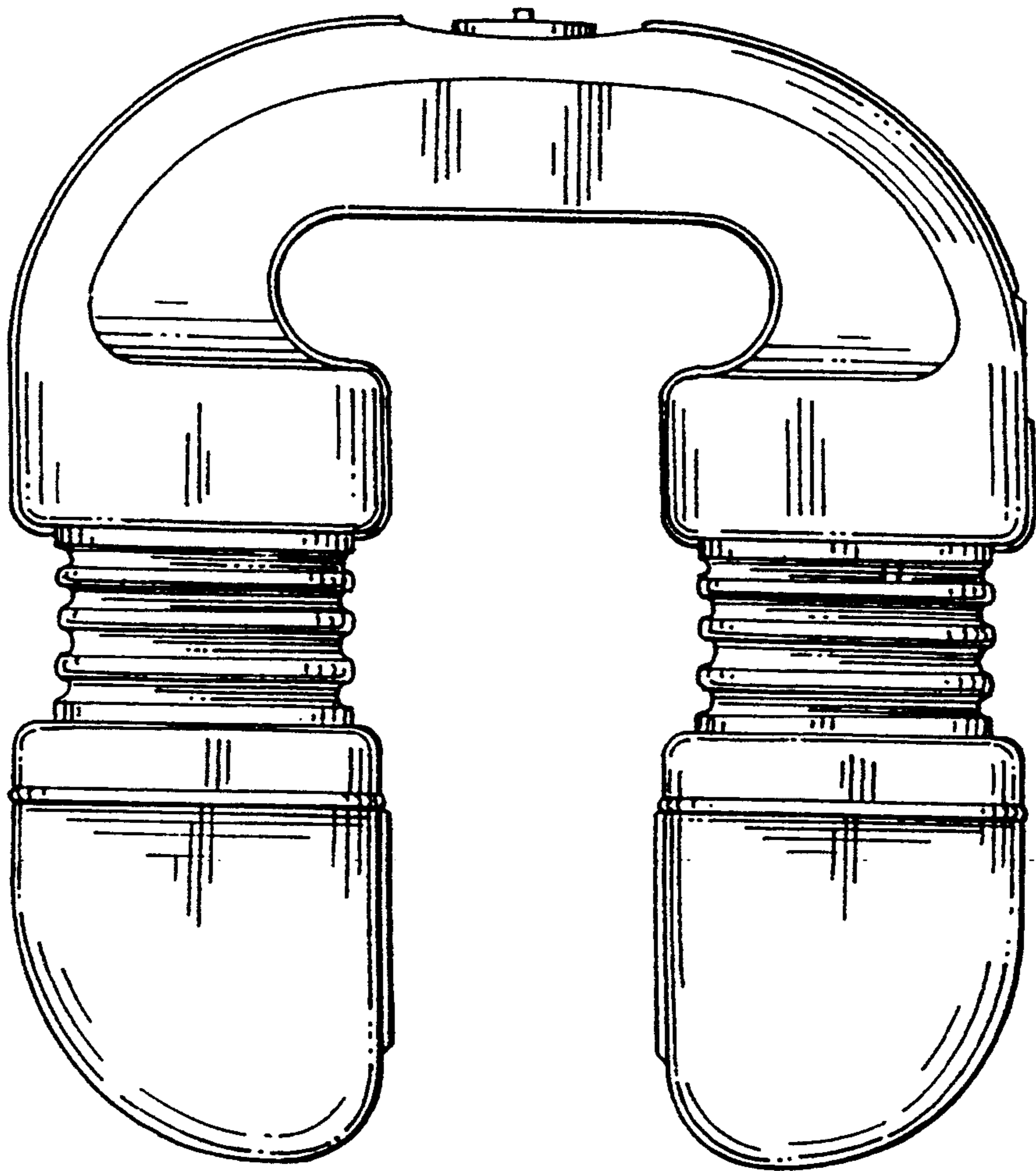


FIG. 2

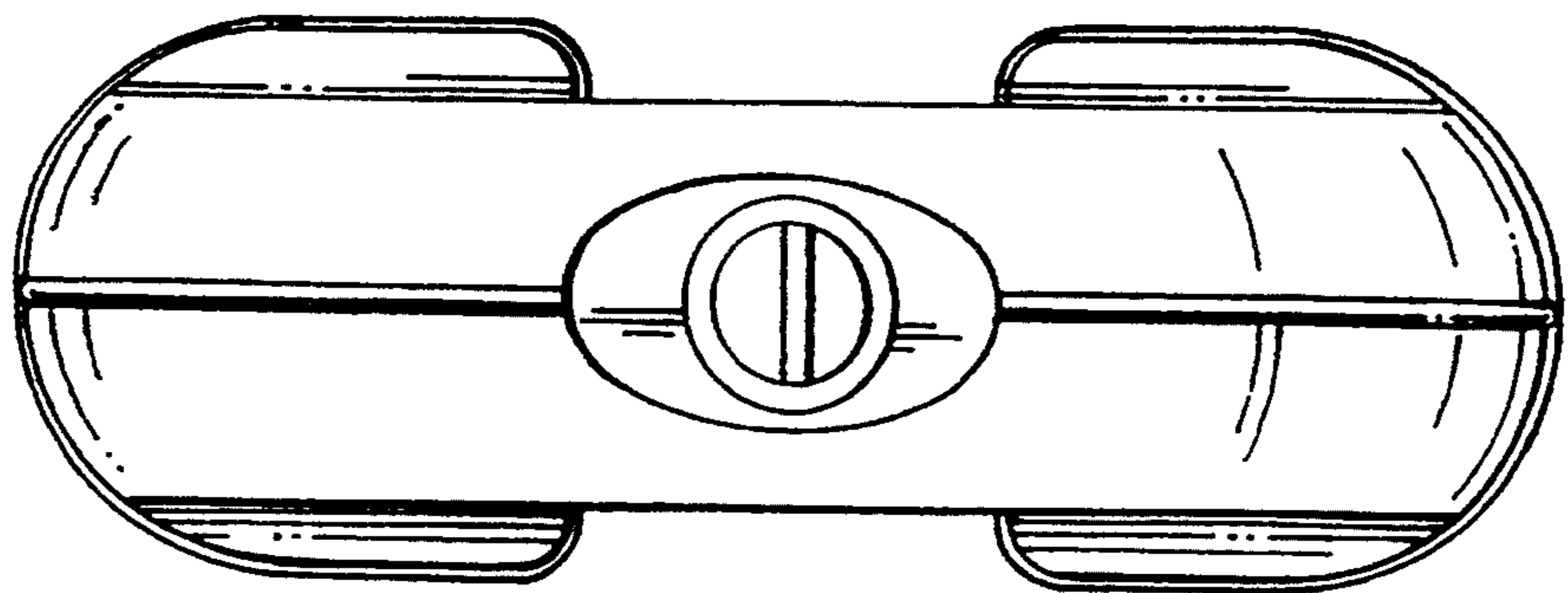


FIG. 3

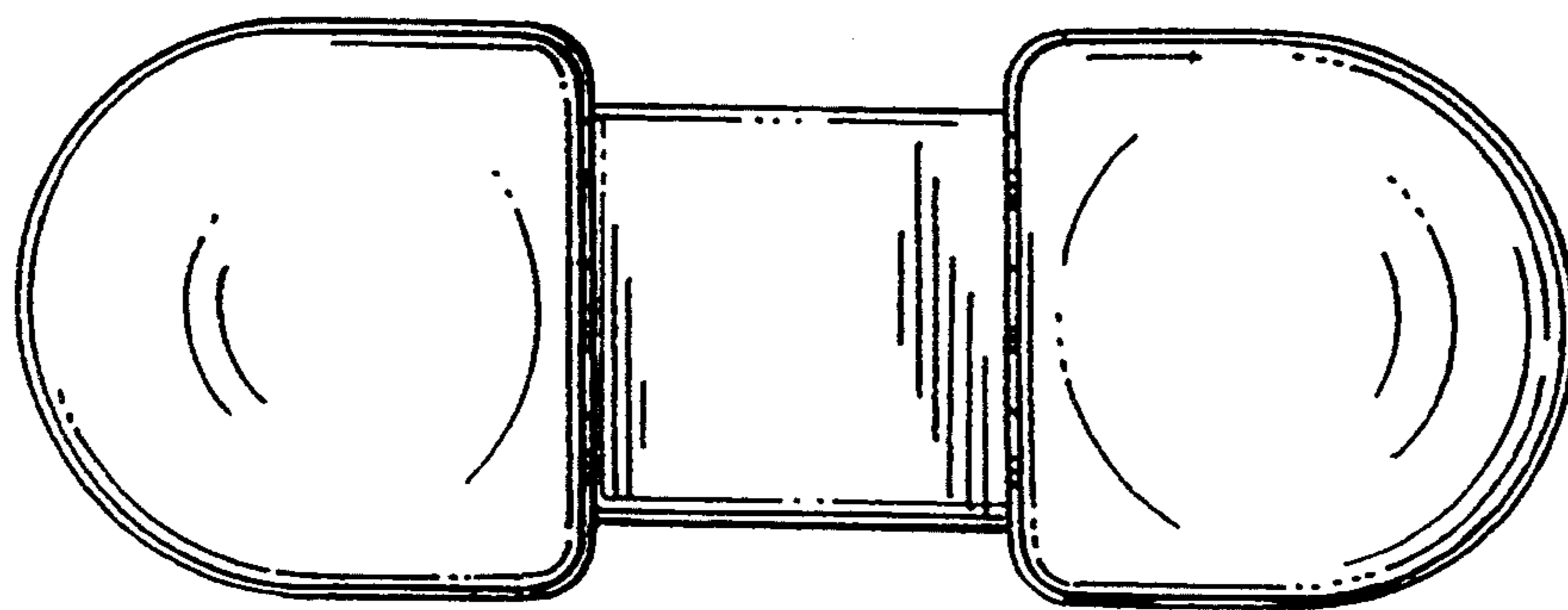


FIG. 4

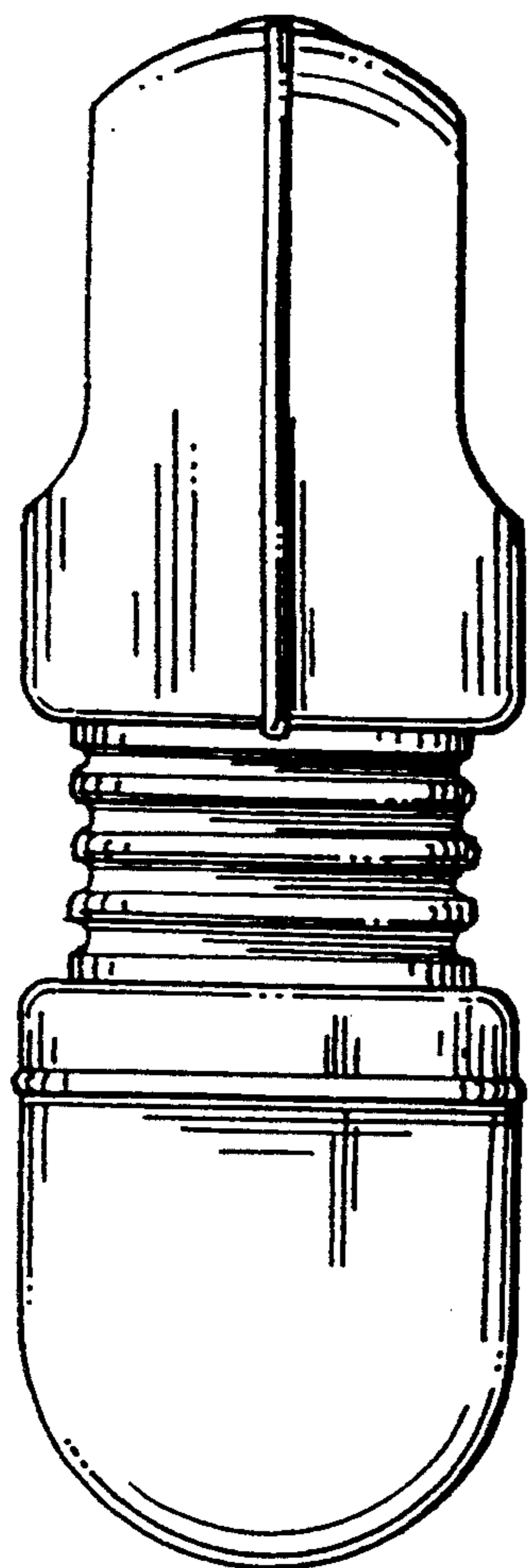


FIG. 5

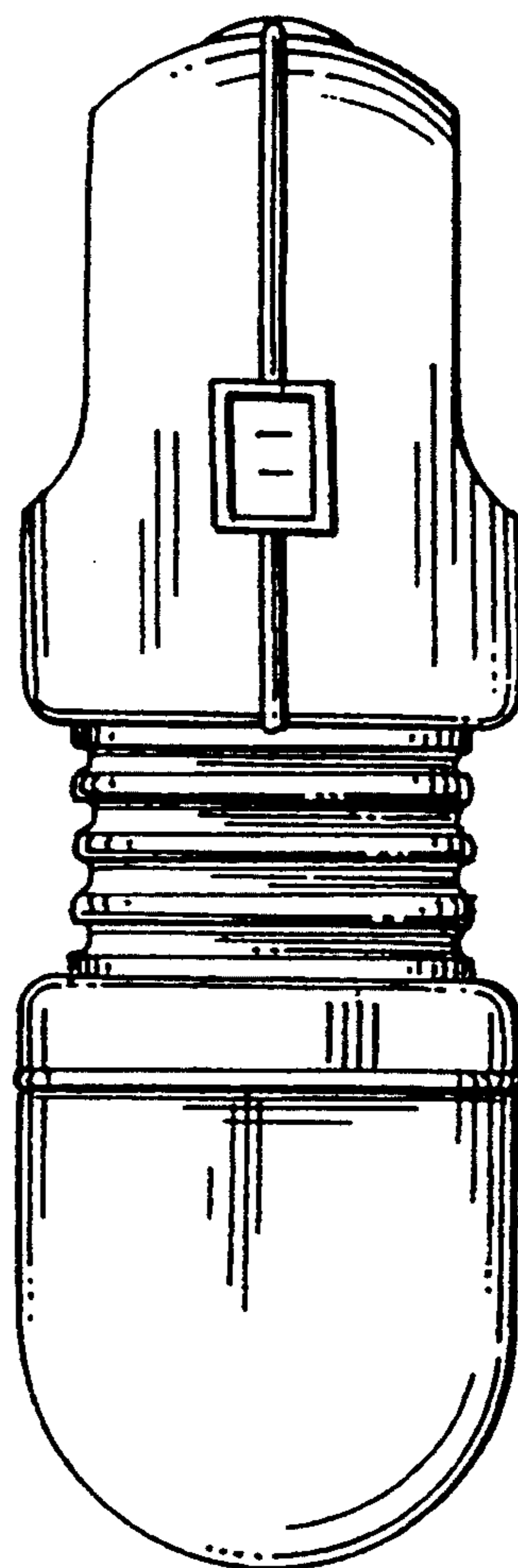


FIG. 6