



US00D354566S

# United States Patent [19]

[11] Patent Number: **Des. 354,566**

**Donahoo**

[45] Date of Patent: **\*\* Jan. 17, 1995**

[54] **VIDEO IMAGING DENTAL CAMERA FOR VIEWING TEETH**

[75] Inventor: **Randy Donahoo, Tuttle, Okla.**

[73] Assignee: **Dental Vision Direct, Inc., a Texas corporation, Carrollton, Tex.**

[\*\*] Term: **14 Years**

[21] Appl. No.: **8,344**

[22] Filed: **May 14, 1993**

[52] U.S. Cl. .... **D24/152; D24/176; D14/114**

[58] Field of Search ..... **D24/176-182, D24/133, 146-147, 152, 176; 433/82, 141-142, 114, 116-118, 124-125, 133, 30-31, 29; 358/350, 901.1, 909.1; D16/200, 202**

[56] **References Cited**

### U.S. PATENT DOCUMENTS

3,803,716	4/1974	Garnier .....	433/114 X
4,495,520	1/1985	Kravitz et al. .	
4,858,001	8/1989	Milbank et al. .	
4,973,246	11/1990	Black et al. ....	433/80 X
4,976,732	12/1990	Vorosmarthy .	
4,979,902	12/1990	Morelle et al. .	
5,016,098	5/1991	Cooper et al. .	
5,022,856	6/1991	Zimble .....	433/29 X
5,046,163	9/1991	Priest et al. .	

5,049,070	9/1991	Ademovic .	
5,051,823	9/1991	Cooper et al. .	
5,052,924	10/1991	Berg .	
5,096,418	3/1992	Coss .....	433/29
5,111,289	5/1992	Lucas et al. .	
5,115,307	5/1992	Cooper et al. .	
5,124,797	6/1992	Williams et al. .	
5,203,696	4/1993	Gonser .....	433/29

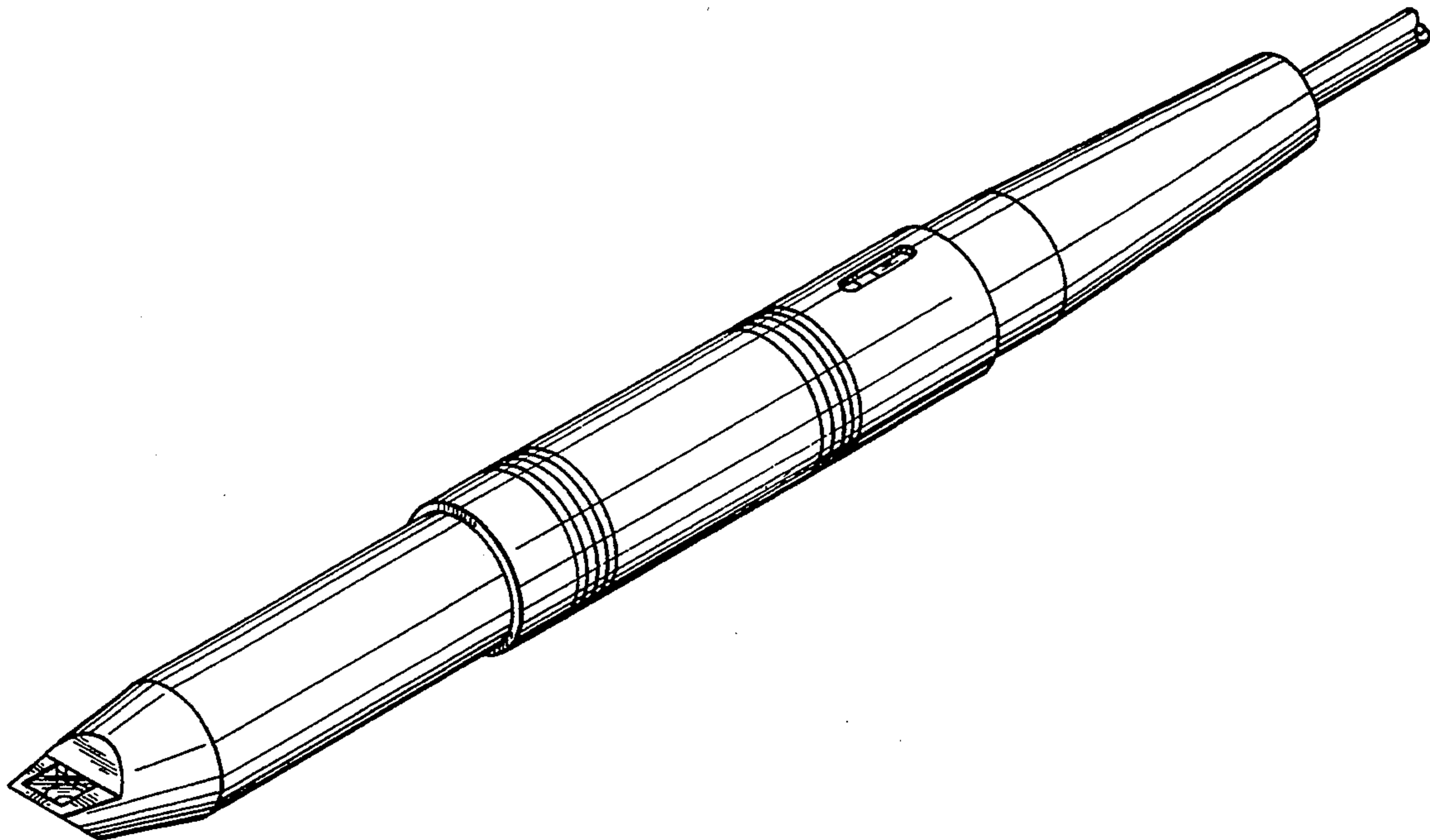
*Primary Examiner*—Wallace R. Burke  
*Assistant Examiner*—M. H. Tung  
*Attorney, Agent, or Firm*—Johnson & Wortley

### [57] CLAIM

The ornamental design for the video imaging dental camera for viewing teeth, as shown and described.

### DESCRIPTION

FIG. 1 is a perspective view of the video imaging dental camera for viewing teeth;  
FIG. 2 is a side elevational view of the video imaging dental camera for viewing teeth taken from the right side, the left side is a mirror image;  
FIG. 3 is a rear elevational view of the video imaging dental camera for viewing teeth;  
FIG. 4 is a front elevational view of the video imaging dental camera for viewing teeth;  
FIG. 5 is a top plan view of the video imaging dental camera for viewing teeth; and,  
FIG. 6 is a bottom plan view of the video imaging dental camera for viewing teeth.



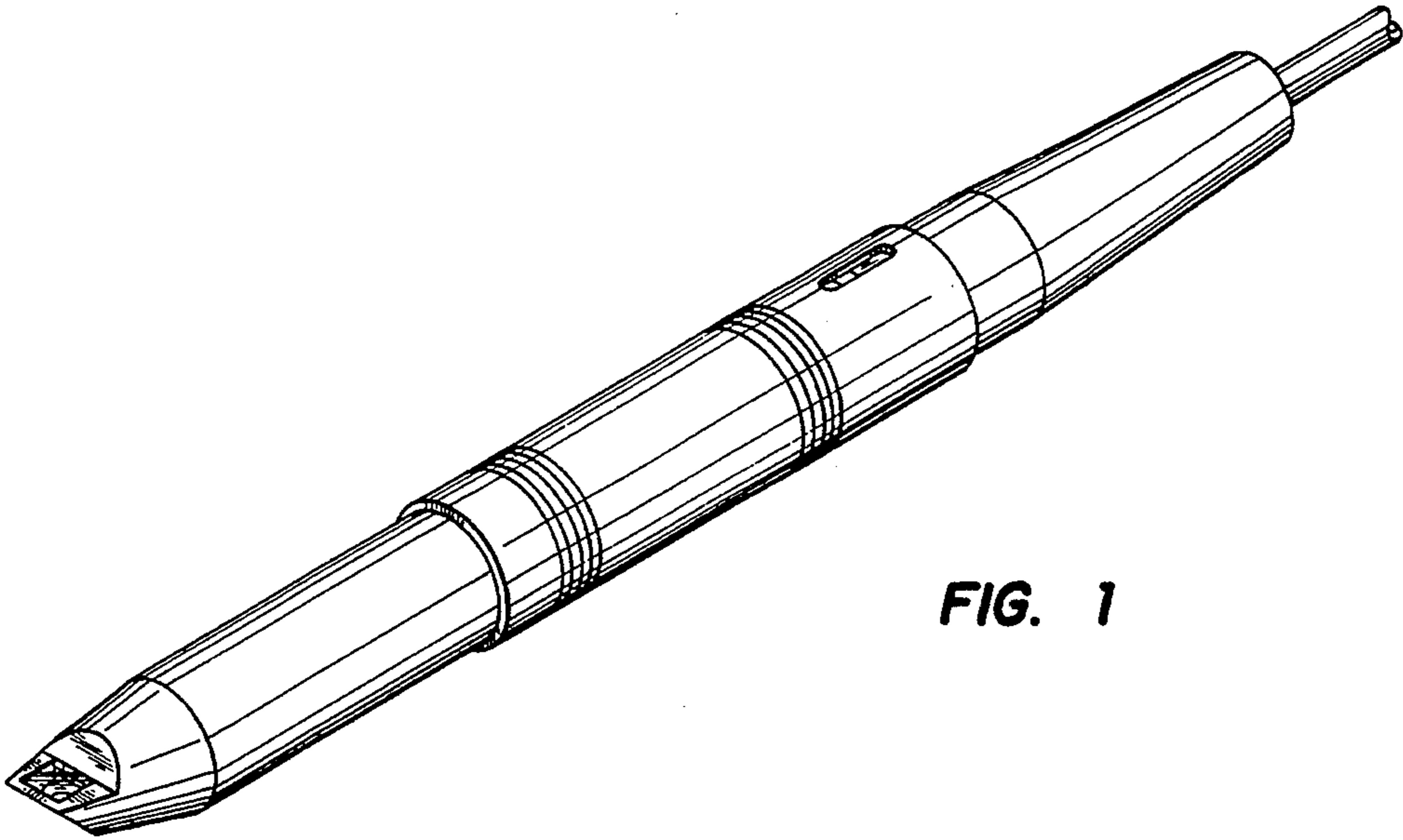


FIG. 1

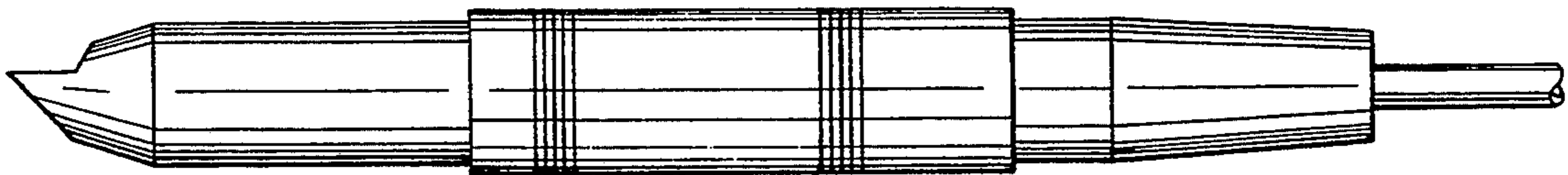


FIG. 2

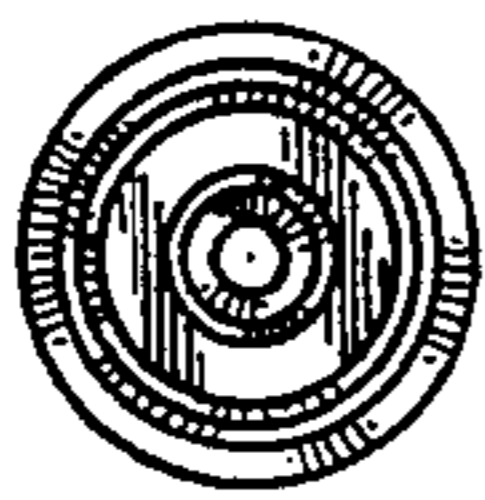


FIG. 3



FIG. 4

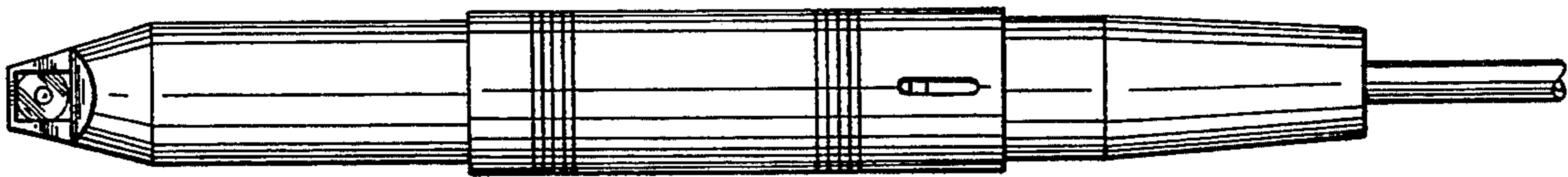


FIG. 5

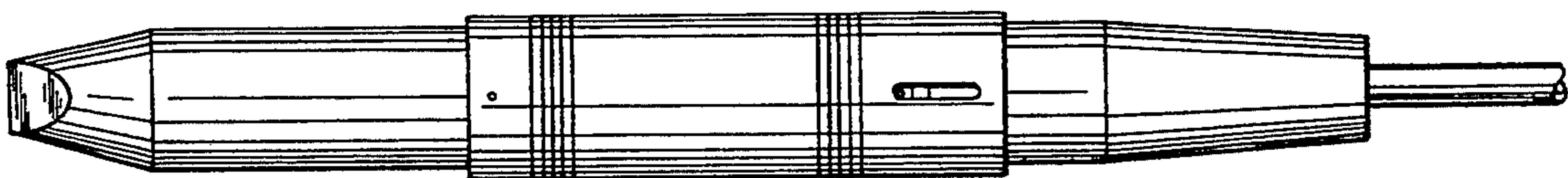


FIG. 6