



US00D354562S

United States Patent [19]

[11] Patent Number: **Des. 354,562**

Medema

[45] Date of Patent: **** Jan. 17, 1995**

- [54] **TROCAR SITE STABILIZER**
- [75] Inventor: **Douglas J. Medema, Plainwell, Mich.**
- [73] Assignee: **Richard-Allan Medical Industries, Inc., Richland, Mich.**
- [**] Term: **14 Years**
- [21] Appl. No.: **5,074**
- [22] Filed: **Feb. 22, 1993**
- [52] U.S. Cl. **D24/140; D24/129; D24/146**
- [58] Field of Search **D24/140, 146; 604/283, 604/164, 185, 174, 175, 191; 128/347, 912**

- 4,215,699 8/1980 Patel .
- 4,230,123 10/1980 Hawkins, Jr. .
- 4,254,762 3/1981 Yoon .
- 4,299,230 11/1981 Kubota .
- 4,325,370 4/1982 Young 128/245
- 4,345,589 8/1982 Hildebrandt .
- 4,414,974 11/1983 Dotson et al. .
- 4,419,094 12/1983 Patel .
- 4,447,236 5/1984 Quinn .
- 4,491,132 1/1985 Aikins .
- 4,496,345 1/1985 Hasson .
- 4,523,379 6/1985 Osterhout et al. .
- 4,535,773 8/1985 Yoon .
- 4,556,059 12/1985 Adamson, Jr. .
- 4,601,710 7/1986 Moll .

(List continued on next page.)

[56] **References Cited**

U.S. PATENT DOCUMENTS

- D. 320,857 10/1991 Tompkins et al. .
- D. 338,270 8/1993 Stephens et al. D24/140
- 1,147,408 7/1915 Kells .
- 1,213,001 1/1917 Philips .
- 1,835,287 12/1931 Donovan .
- 2,097,039 10/1937 Peterson .
- 2,496,111 1/1950 Turkel .
- 2,525,329 10/1950 Wyzenbeek .
- 2,541,542 2/1951 Perez et al. .
- 2,623,521 12/1952 Shaw .
- 3,007,471 11/1961 McClure, Jr. .
- 3,039,468 6/1962 Price .
- 3,090,384 5/1963 Baldwin et al. .
- 3,459,189 7/1965 Alley et al. .
- 3,540,447 11/1970 Howe .
- 3,545,443 12/1970 Ansari .
- 3,565,074 2/1971 Foti et al. .
- 3,613,684 10/1971 Sheridan .
- 3,721,229 3/1973 Panzer 128/2 A
- 3,789,852 2/1974 Kim et al. .
- 3,817,250 6/1974 Weiss et al. .
- 3,860,006 1/1975 Patel .
- 3,893,446 7/1975 Miller 128/2 A
- 3,895,632 7/1975 Ploweicki .
- 3,948,270 4/1976 Hasson .
- 3,993,079 11/1976 Henriques de Gatztanondo .
- 3,994,287 11/1976 Turp et al. .
- 4,013,080 3/1977 Froning .
- 4,058,121 11/1977 Choski et al. .
- 4,177,814 12/1979 Knepshield et al. .
- 4,180,068 12/1979 Jacobsen et al. .
- 4,186,750 2/1980 Patel .

FOREIGN PATENT DOCUMENTS

- 3713829 10/1988 Denmark .
- 475215 2/1951 Italy .
- 2161709 1/1986 United Kingdom .

OTHER PUBLICATIONS

“Advanced Laparoscopy with Auto Suture,” Brochure of Auto Suture International, Inc., Copyright 1992, 2 pages.

(List continued on next page.)

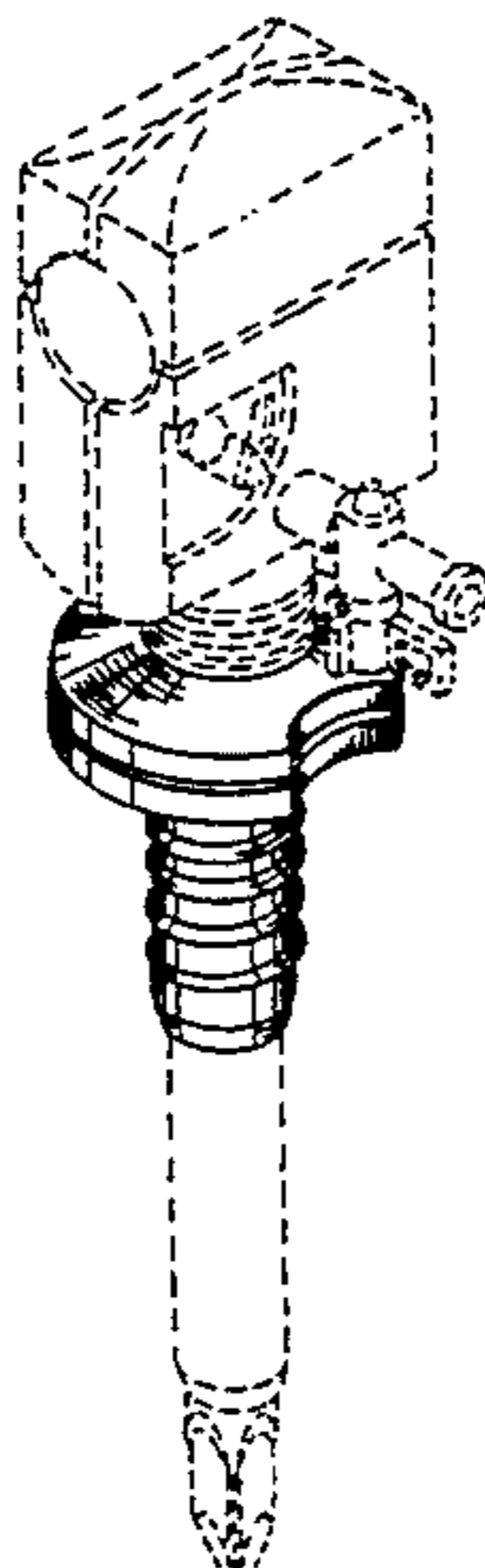
Primary Examiner—A. Hugo Word
Assistant Examiner—I. Simmons
Attorney, Agent, or Firm—Leydig, Voit & Mayer, Ltd.

[57] **CLAIM**

The ornamental design for a trocar site stabilizer, as shown and described.

DESCRIPTION

FIG. 1 is a front perspective view of the site stabilizer; FIG. 2 is a top plan view thereof; FIG. 3 is a bottom plan view thereof; FIG. 4 is a front elevational view thereof; FIG. 5 is a right side elevational view thereof; FIG. 6 is a rear elevational view thereof; FIG. 7 is a left side elevational view thereof; FIG. 8 is a perspective view thereof, the broken line showing of the trocar is for illustrative purposes only and forms no part of the claimed design; FIG. 9 is a top plan view of a second embodiment of A Trocar Site Stabilizer showing our new design; and, FIG. 10 is a front elevational view thereof.



U.S. PATENT DOCUMENTS

4,645,492	2/1987	Weeks	604/174
4,650,473	3/1987	Bartholomew et al.	604/174
4,654,030	3/1987	Moll et al. .	
4,808,168	2/1989	Warring .	
4,902,280	2/1990	Lander .	
4,931,042	6/1990	Holmes et al. .	
4,943,280	7/1990	Lander .	
5,002,557	3/1991	Hasson .	
5,009,643	4/1991	Reich et al.	606/185 X
5,030,206	7/1991	Lander .	
5,053,016	10/1991	Lander .	
5,066,288	11/1991	Deneiga et al. .	
5,085,648	2/1992	Purdy et al. .	
5,104,382	4/1992	Brinkerhoff et al. .	
5,104,383	4/1992	Shichman .	
5,114,407	5/1992	Burbank .	
5,116,353	5/1992	Green .	
5,127,909	7/1992	Shichman .	
5,129,885	7/1992	Green et al. .	
5,139,487	8/1992	Baber .	
5,141,517	8/1992	Shutt .	
5,143,082	9/1992	Kindberg et al. .	
5,144,942	9/1992	Decarie et al.	206/571 X
5,147,316	9/1992	Castillenti .	
5,152,754	10/1992	Plyley et al. .	
5,158,552	10/1992	Borgia et al. .	
5,217,441	6/1993	Shichman	604/283
5,226,890	7/1993	Ianniruberto et al.	604/164
5,234,455	8/1993	Mulhollan	604/164 X
5,256,149	10/1993	Banik et al.	604/164
5,257,973	11/1993	Villasuso	604/49
5,257,975	11/1993	Foshee	604/105
5,287,852	2/1994	Arkininstall	128/DIG. 26 X

OTHER PUBLICATIONS

"Laparoscopic Products Catalogue," Dexide, Inc., Copyright 1991, 4 pages.

"Entree TM," Brochure of Core Dynamics, Inc., Copyright 1992, 2 pages.

"Trocan TM," Brochure of Cabot Medical, Copyright Mar. 1991, 2 pages.

"The Source of Laparoscopic Innovation Origin," Brochure of Origin Medsystems, Inc., Copyright 1992, 4 pages.

"Surgical Trocars with Sureseal TM Valve," Brochure of Applied Medical Resources, Copyright 1992, 2 pages.

"Blunt-Tip Trocar," Brochure of Origin Medsystems, Inc., Copyright 1992, 2 pages.

"Thoracic Trocar," Brochure of Origin Medsystems, Inc., Copyright 1992, 2 pages.

"Bold by Design," Endopath TriStar Disposable Surgical Trocar, by Ethicon Endo-Surgery, Copyright 1992, 1 page.

"Hunt/Reich Secondary Cannula Provides Major Cost Savings," Brochure of Apple Medical Corp., undated, 2 pages.

"Lock into the Cutting Edge of Laparoscopy," Brochure of Dexide, Inc., Copyright 1992, 6 pages.

Distributor Price List of Ethicon Endo-Surgery, dated Feb. 24, 1992, Front Cover, pp. 7-11 and 38-39.

"Innovations in Endo-Surgery," The Endopath Disposable Blunt Tip Trocar for Open Laparoscopy, Brochure of Ethicon, Inc., Copyright 1991, 1 page.

"Endopath," Trokare. Veress-Nadeln, Brochure of Ethicon GMBH & Co., Copyright 1992, 4 pages.

"Auto Suture Disposable Laparoscopic Systems," Brochure of Auto Suture, United States Surgical Corporation and Century Medical, Inc., 4 pages, ©92.

"Surgiport III," Brochure of Auto Suture, United States Surgical Corporation and Century Medical, Inc., 2 pages ©92.

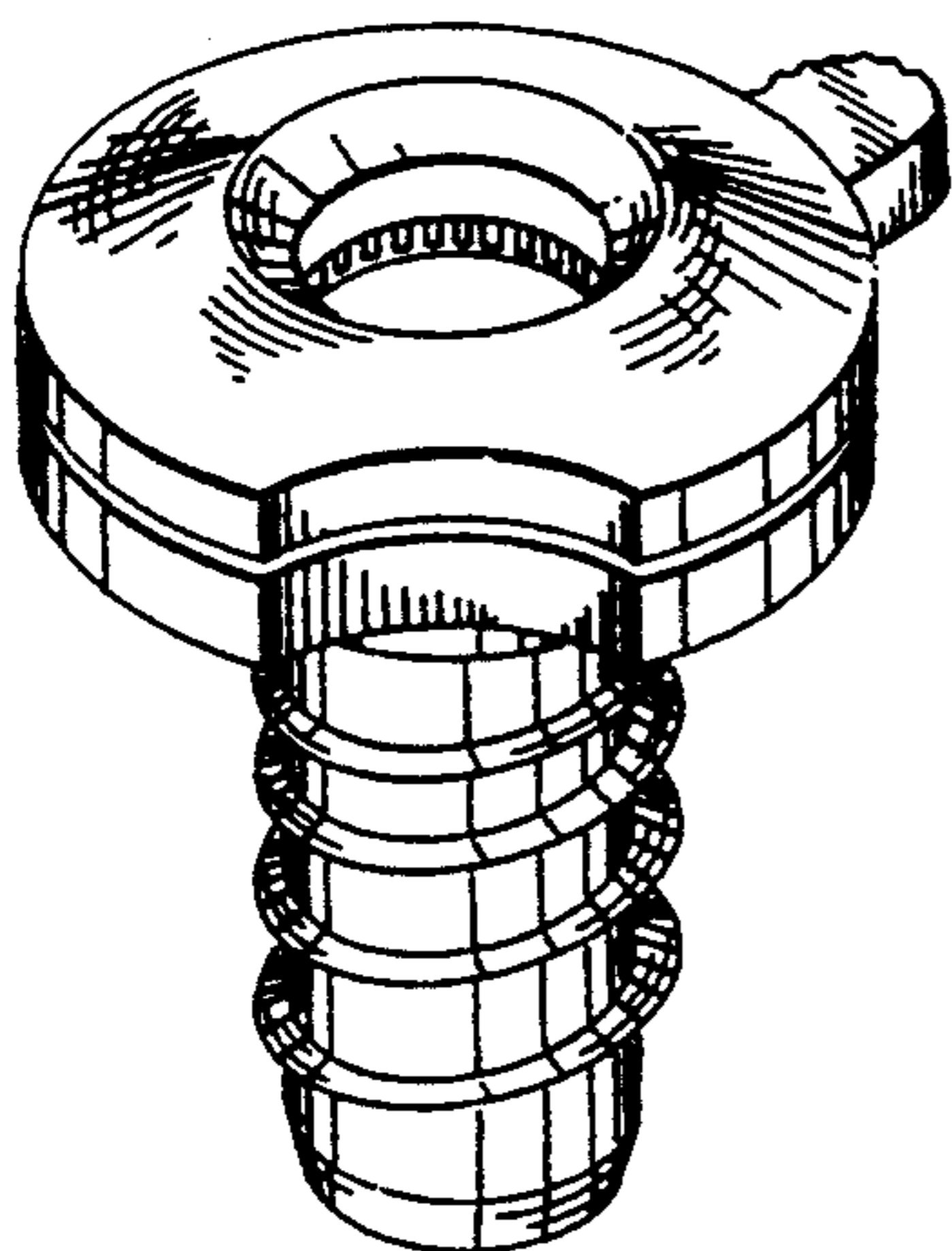


FIG. 1

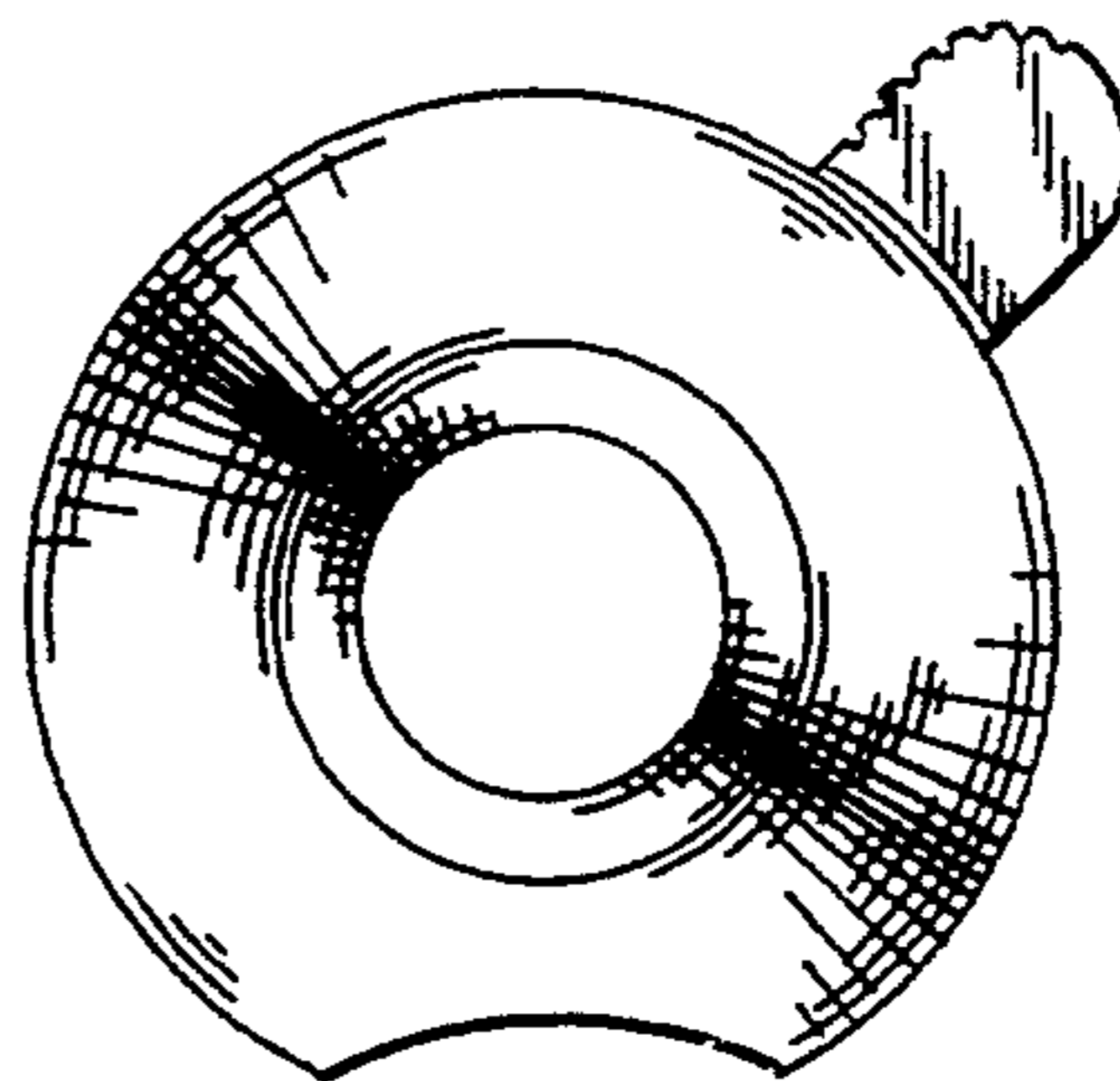


FIG. 2

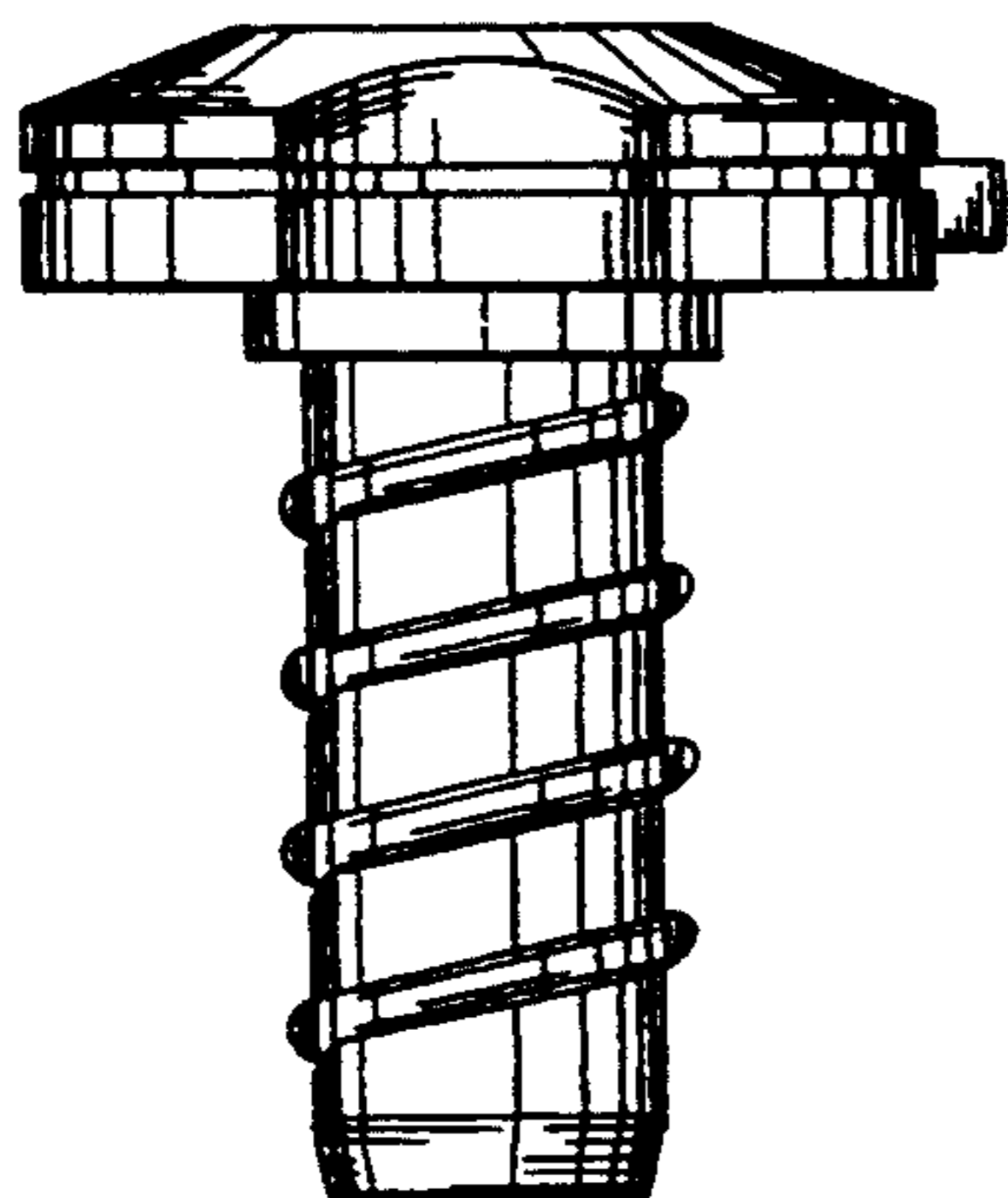


FIG. 4

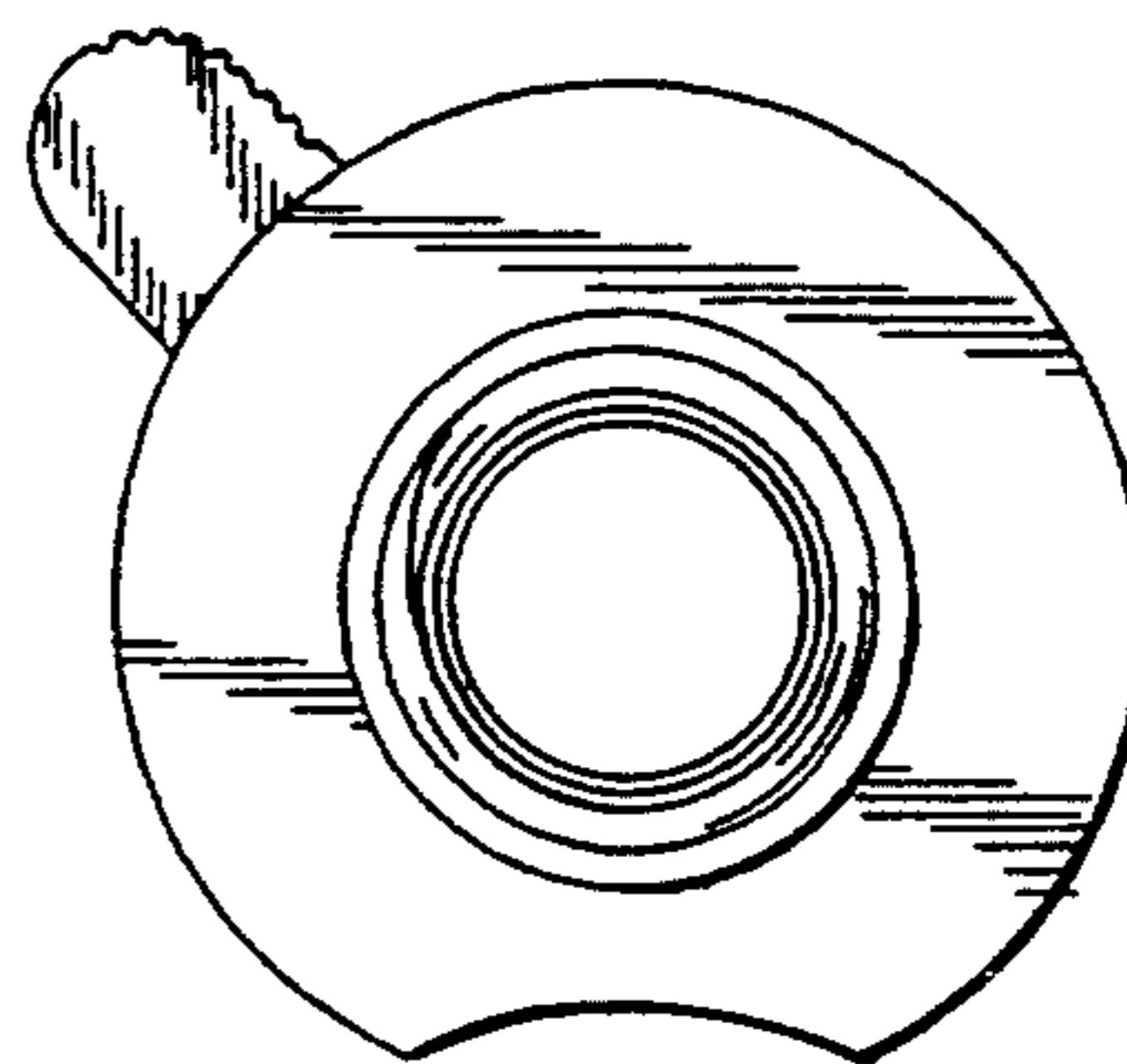


FIG. 3

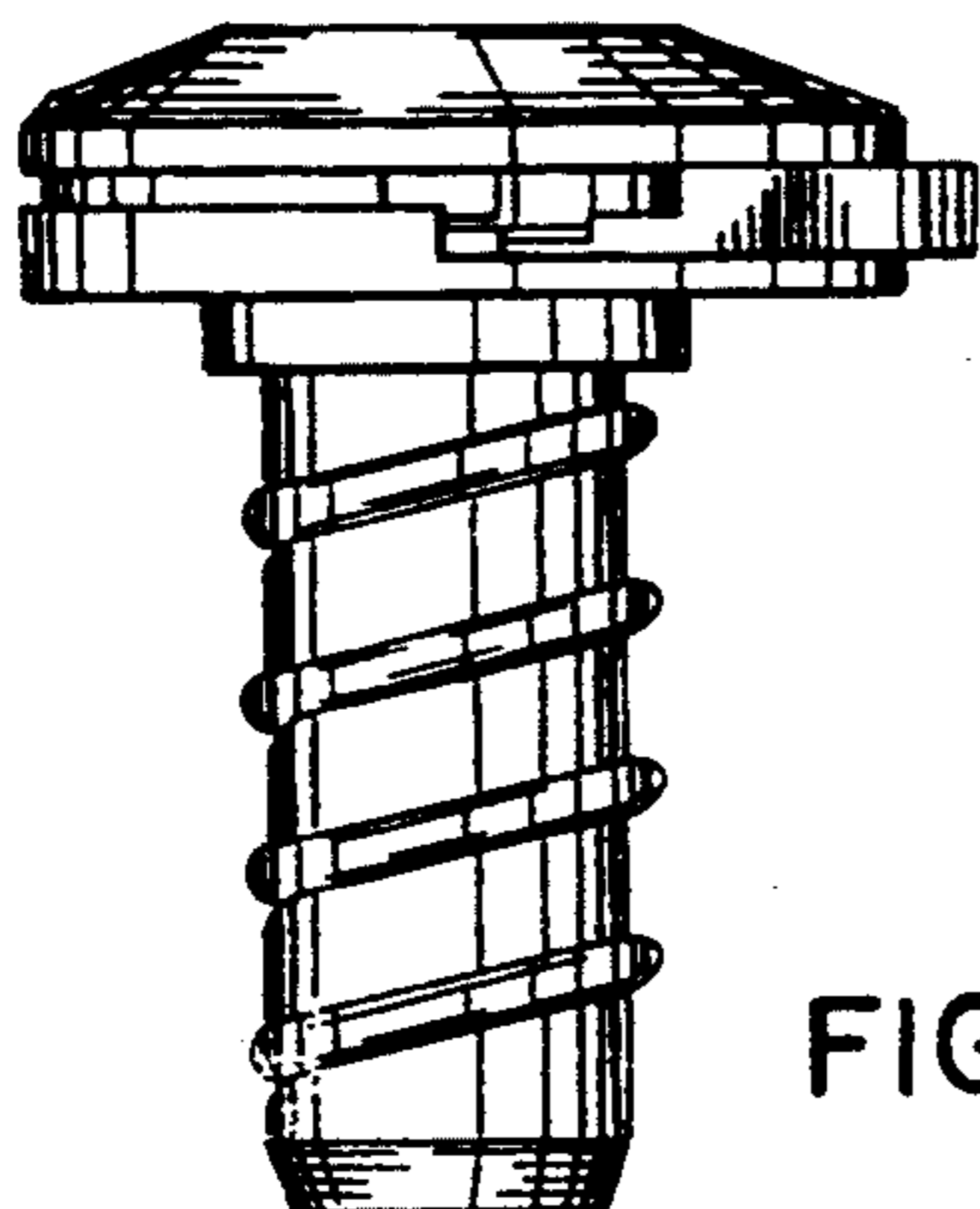


FIG. 5

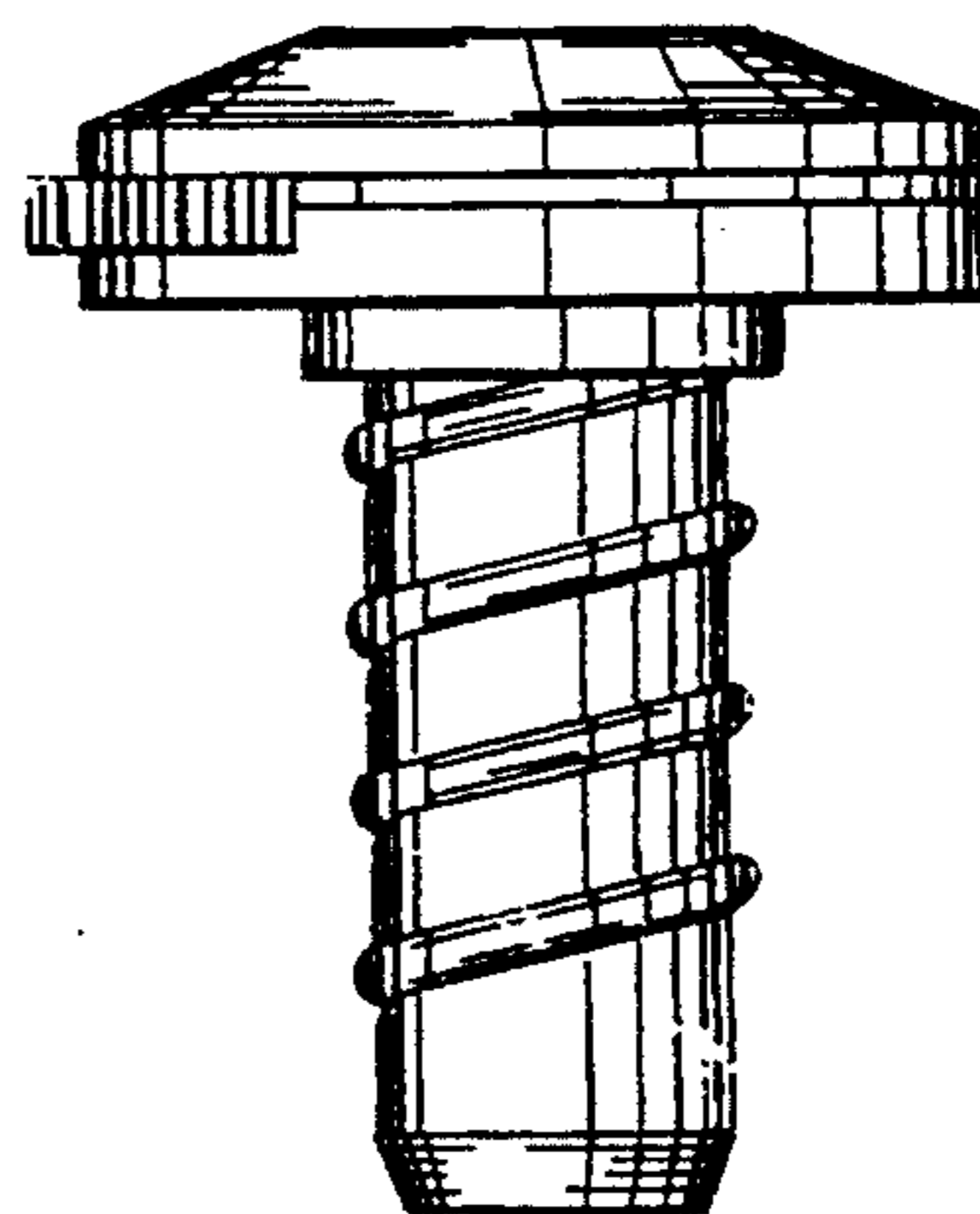


FIG. 6

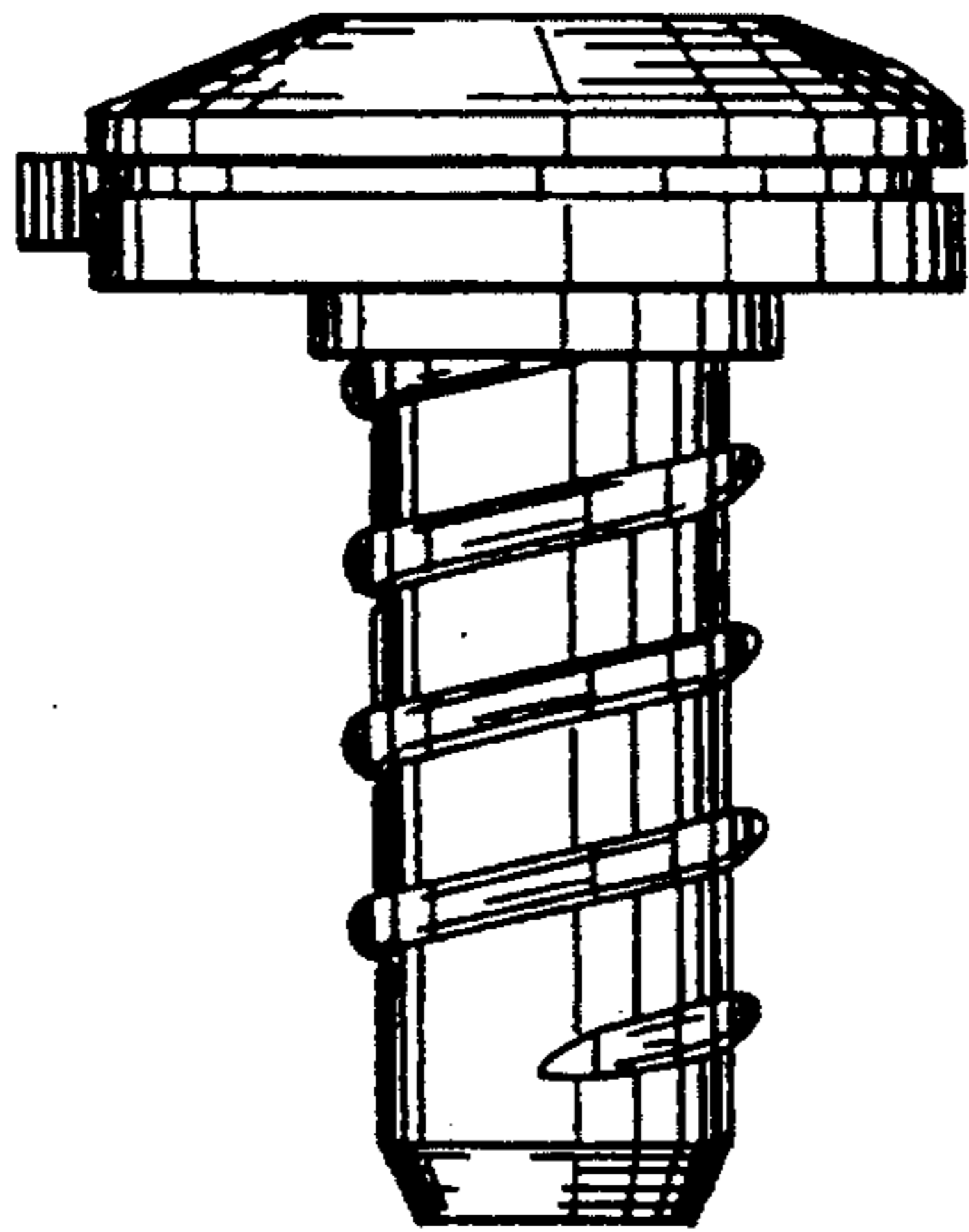


FIG. 7

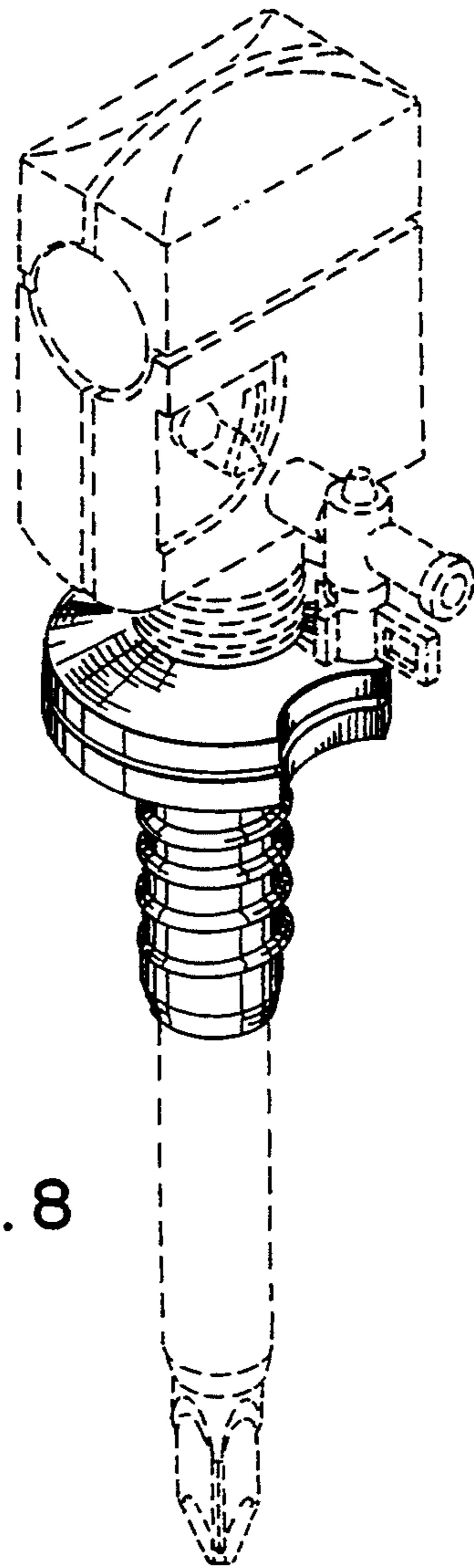


FIG. 8

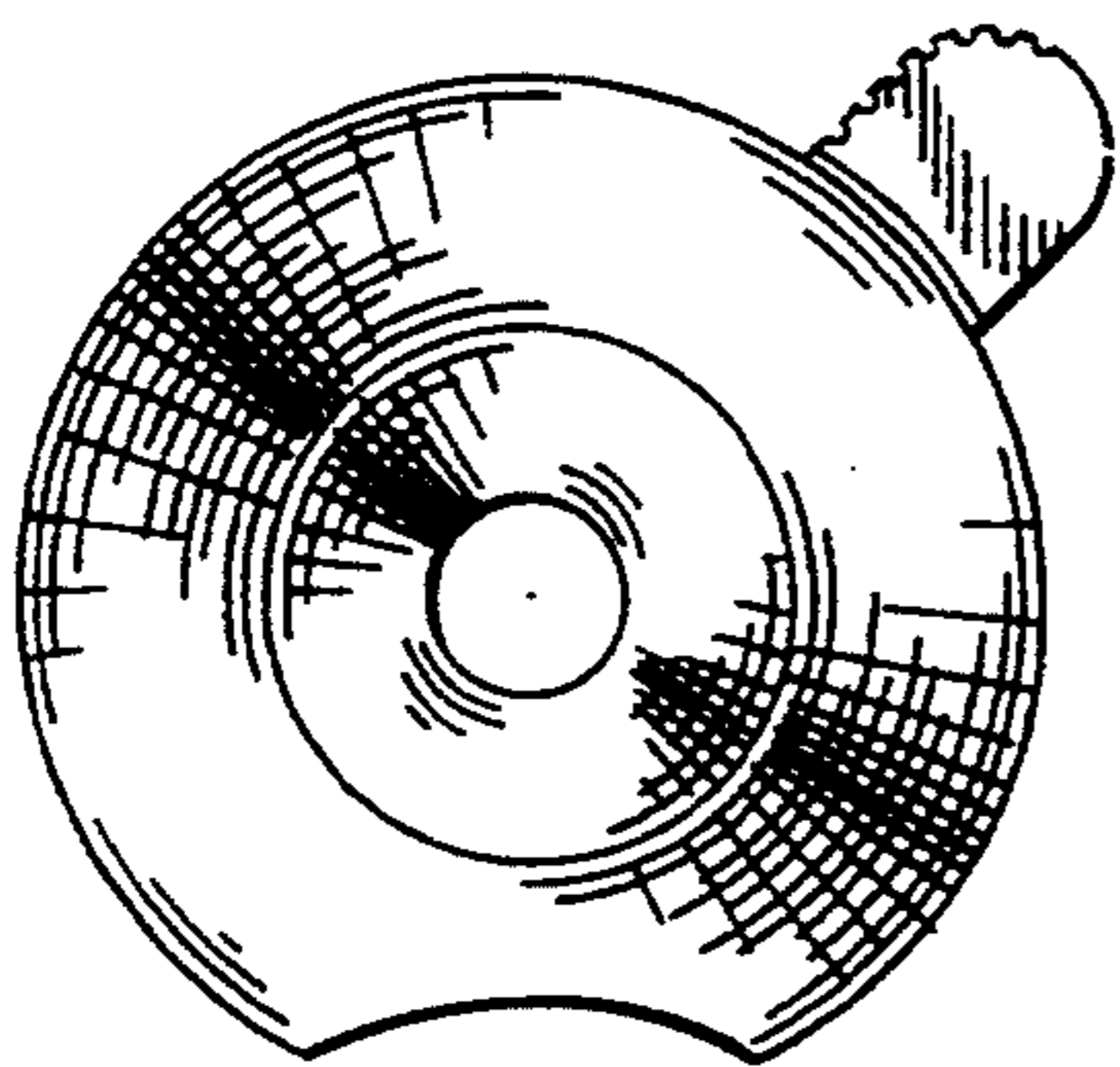


FIG. 9

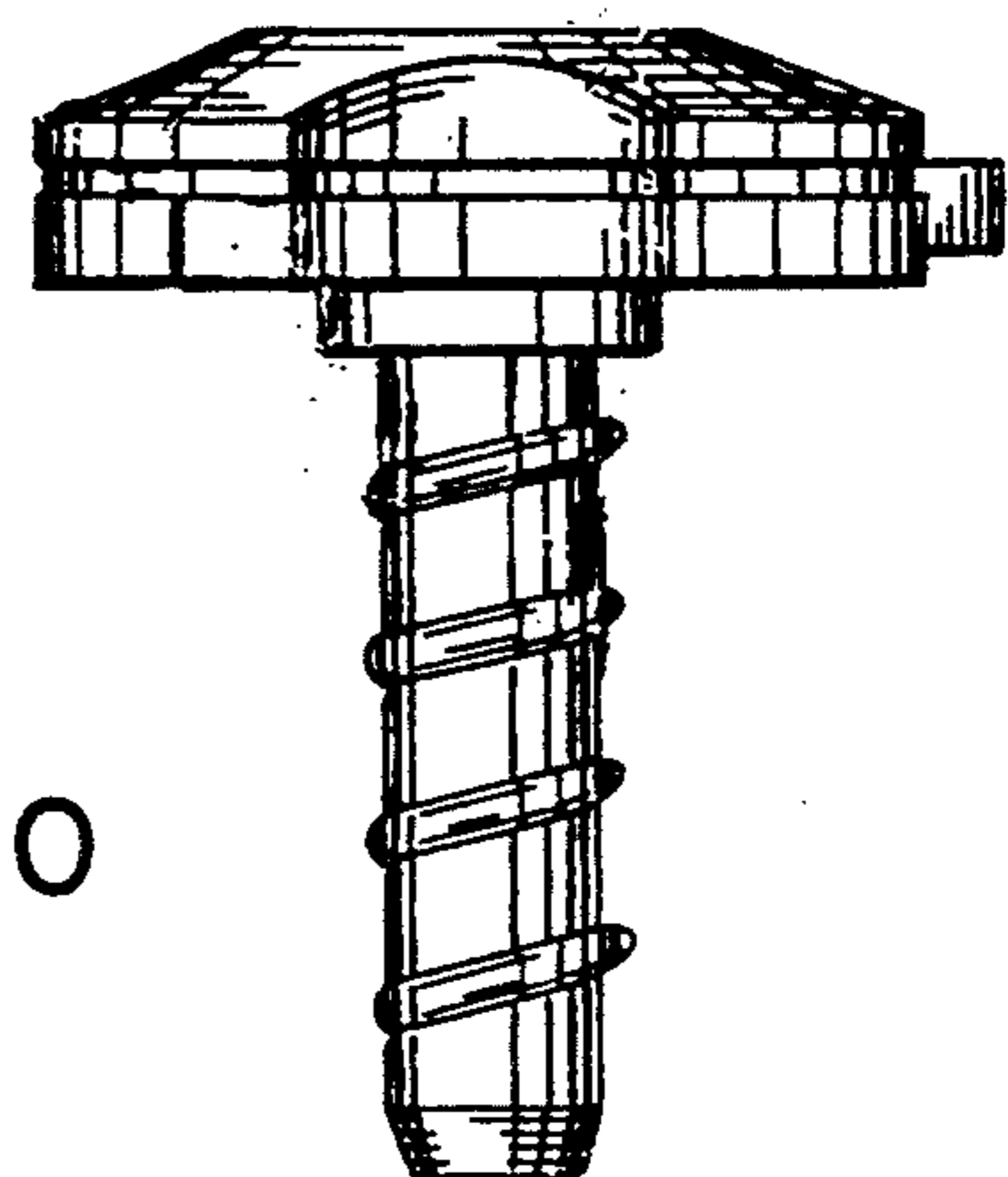


FIG. 10