



US00D354560S

**United States Patent** [19]  
**Chase**

[11] **Patent Number: Des. 354,560**  
[45] **Date of Patent: \*\* Jan. 17, 1995**

[54] **OSTOMY BAG**

[76] **Inventor: Terrel O. Chase, 14457 Essex Ct.,  
Magalia, Calif. 95954**

[\*\*] **Term: 14 Years**

[21] **Appl. No.: 8,667**

[22] **Filed: May 24, 1993**

[52] **U.S. Cl. .... D24/118; D24/127;  
D24/129**

[58] **Field of Search ..... D24/118, 122, 127, 112;  
604/332, 334, 337, 339**

[56] **References Cited**

**U.S. PATENT DOCUMENTS**

D. 303,574	9/1989	Steer	.....	D24/118
D. 303,575	9/1989	Steer	.....	D24/118
4,126,167	11/1978	Smith et al.	.....	D24/118 X
4,439,191	3/1984	Hogan	.....	D24/118 X
4,592,750	6/1986	Kay	.....	604/337
4,790,833	12/1988	Schmidt	.....	604/332 X

**FOREIGN PATENT DOCUMENTS**

2216007	10/1989	United Kingdom	.....	604/332
---------	---------	----------------	-------	---------

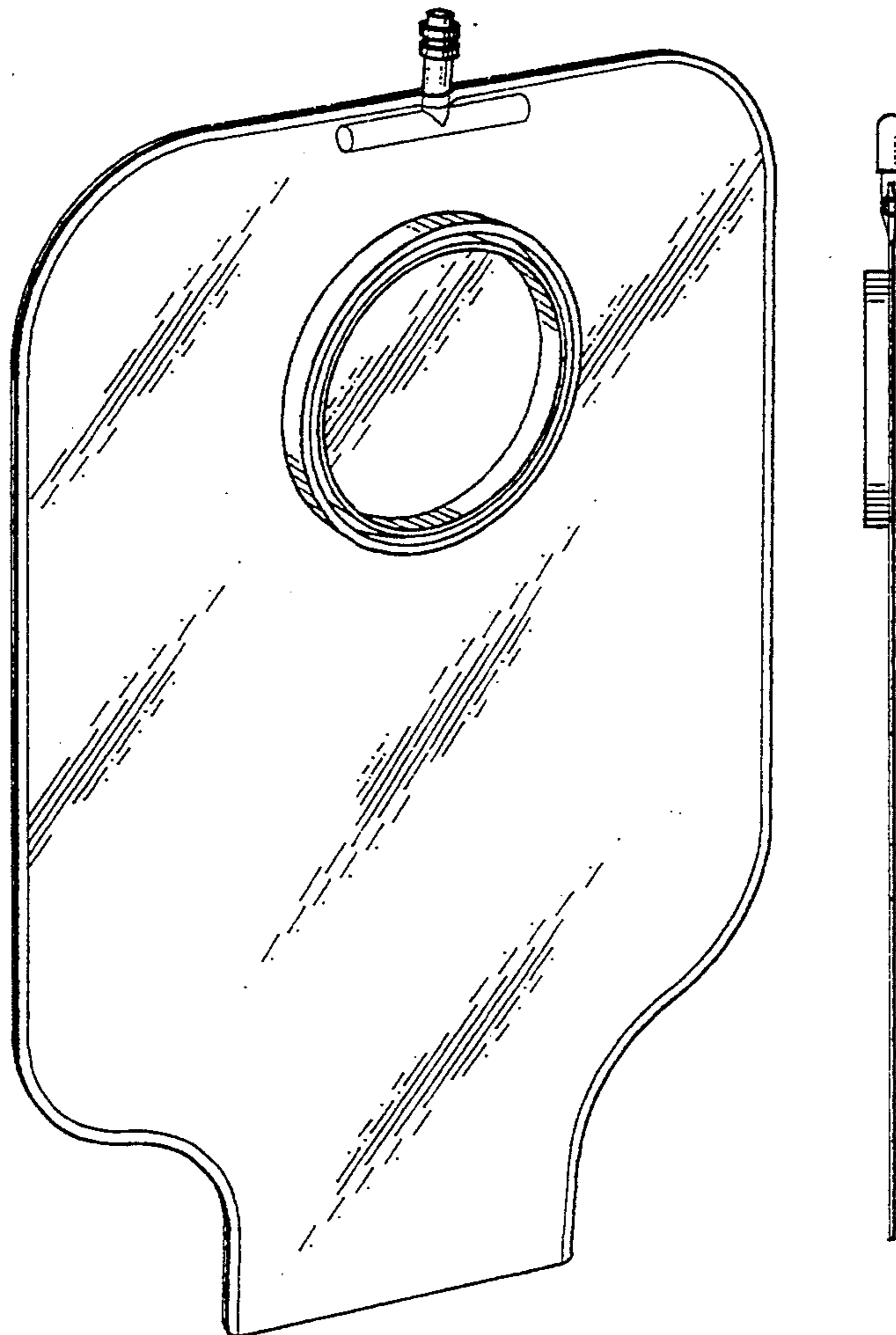
*Primary Examiner*—A. Hugo Word  
*Assistant Examiner*—I. Simmons  
*Attorney, Agent, or Firm*—Lothrop & West

[57] **CLAIM**

The ornamental design for an ostomy bag, as shown and described.

**DESCRIPTION**

FIG. 1 is a front perspective view of an ostomy bag shown in FIG. 5 with the cap removed; FIG. 2 is a front elevational view thereof; FIG. 3 is an elevational view of one side edge thereof, the opposite side edge view being a mirror image; FIG. 4 is a rear elevational view thereof; FIG. 5 is a side elevational view of an ostomy bag showing my new design, the opposite side elevational view being a mirror image thereto; FIG. 6 is a top plan view thereof, with the cap removed; FIG. 7 is a bottom plan view thereof; FIG. 8 is a fragmentary front perspective view thereof, to an enlarged scale; and, FIG. 9 is an enlarged fragmentary front perspective view of the ostomy bag shown in FIG. 5.



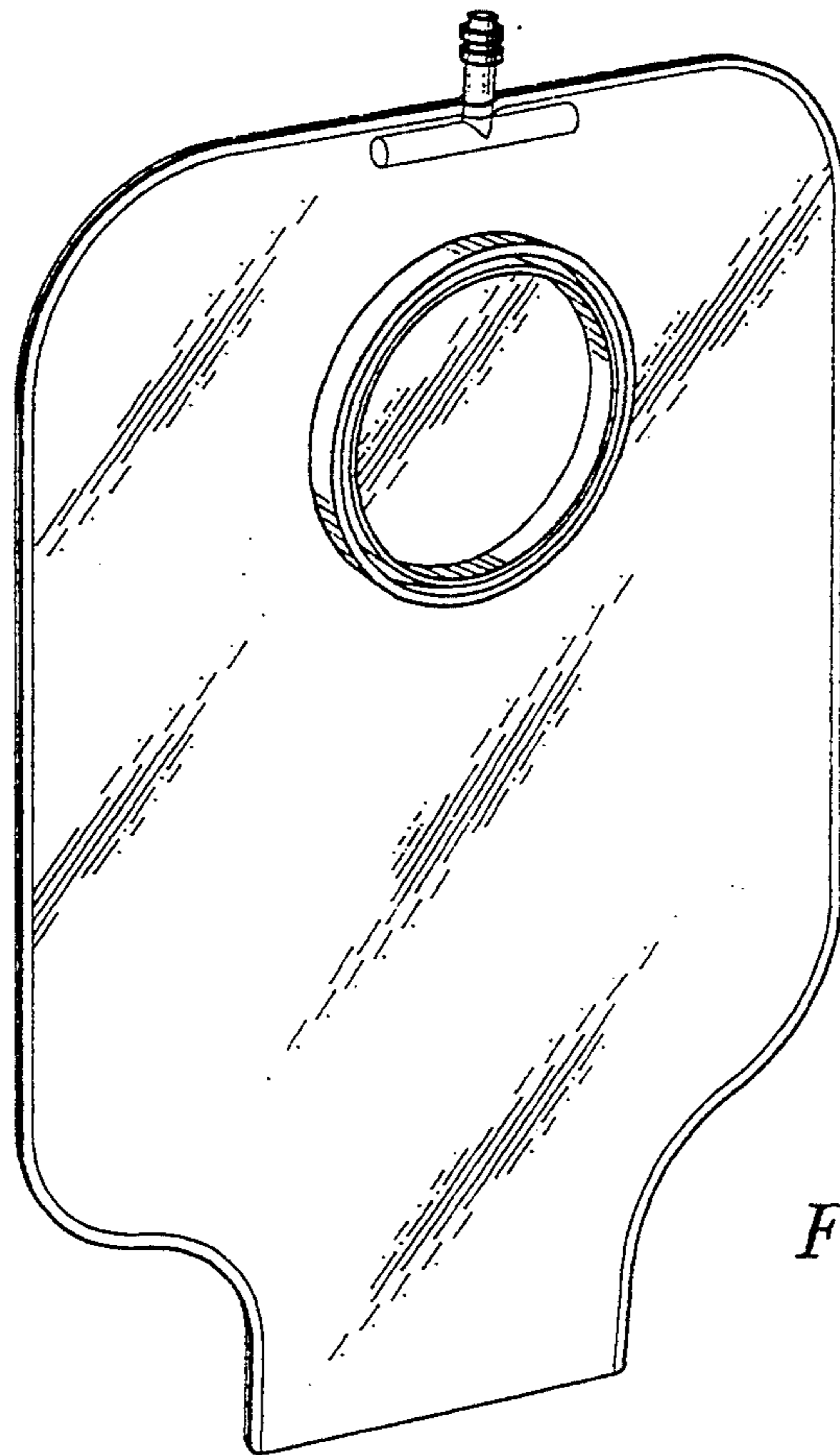


Fig. 1

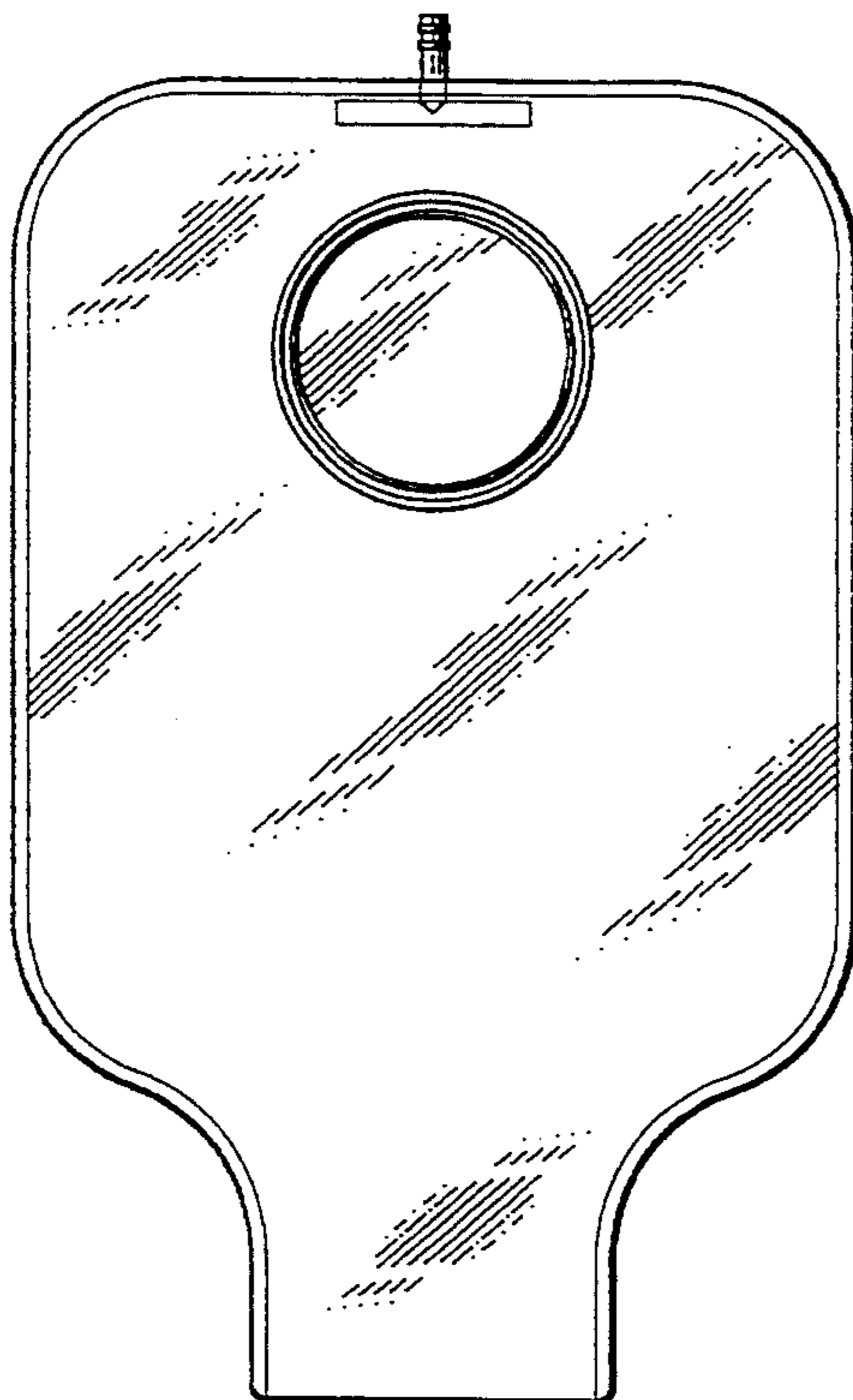


Fig. 2



Fig. 3

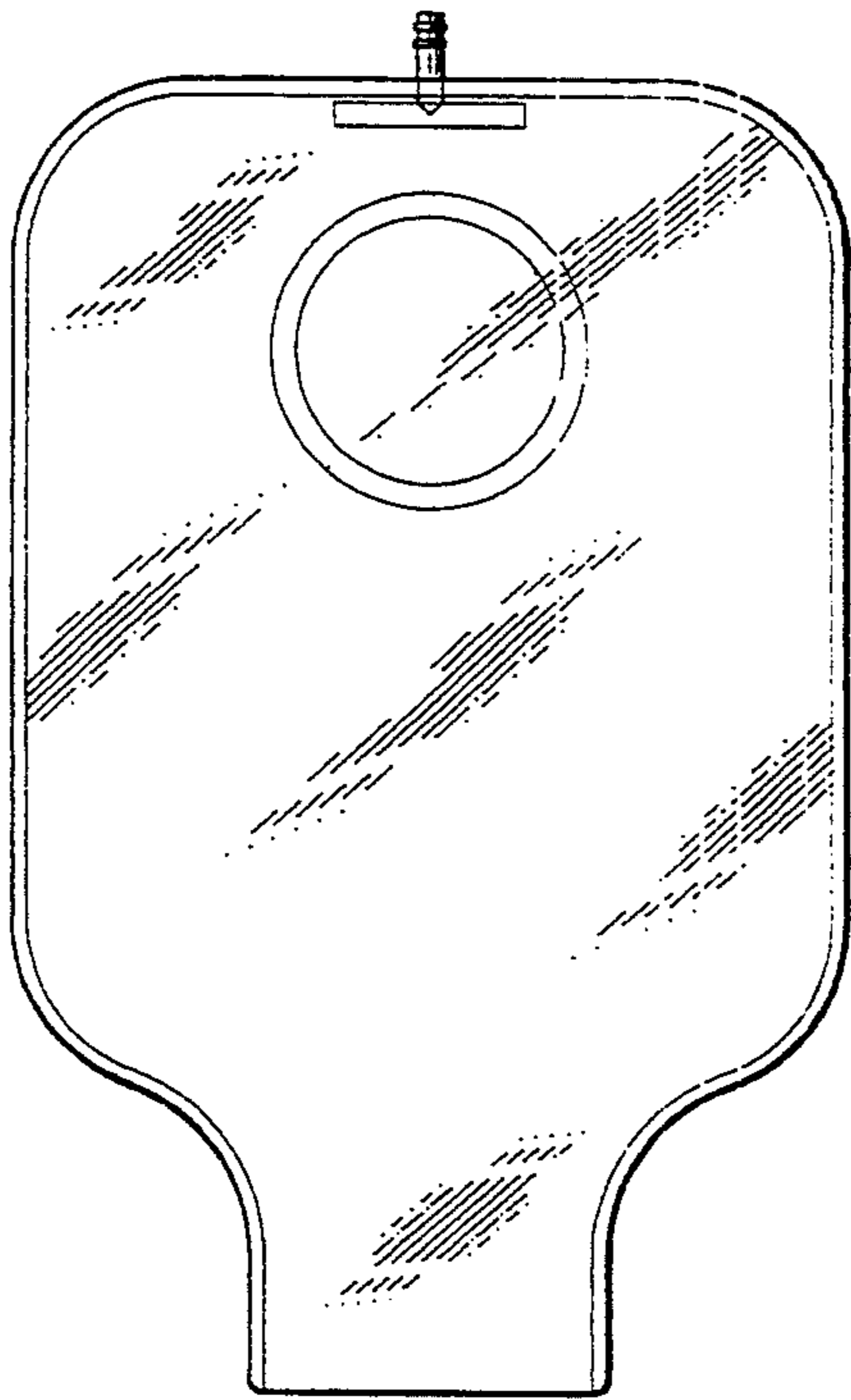


Fig. 4



Fig. 5



Fig. 6



Fig. 7

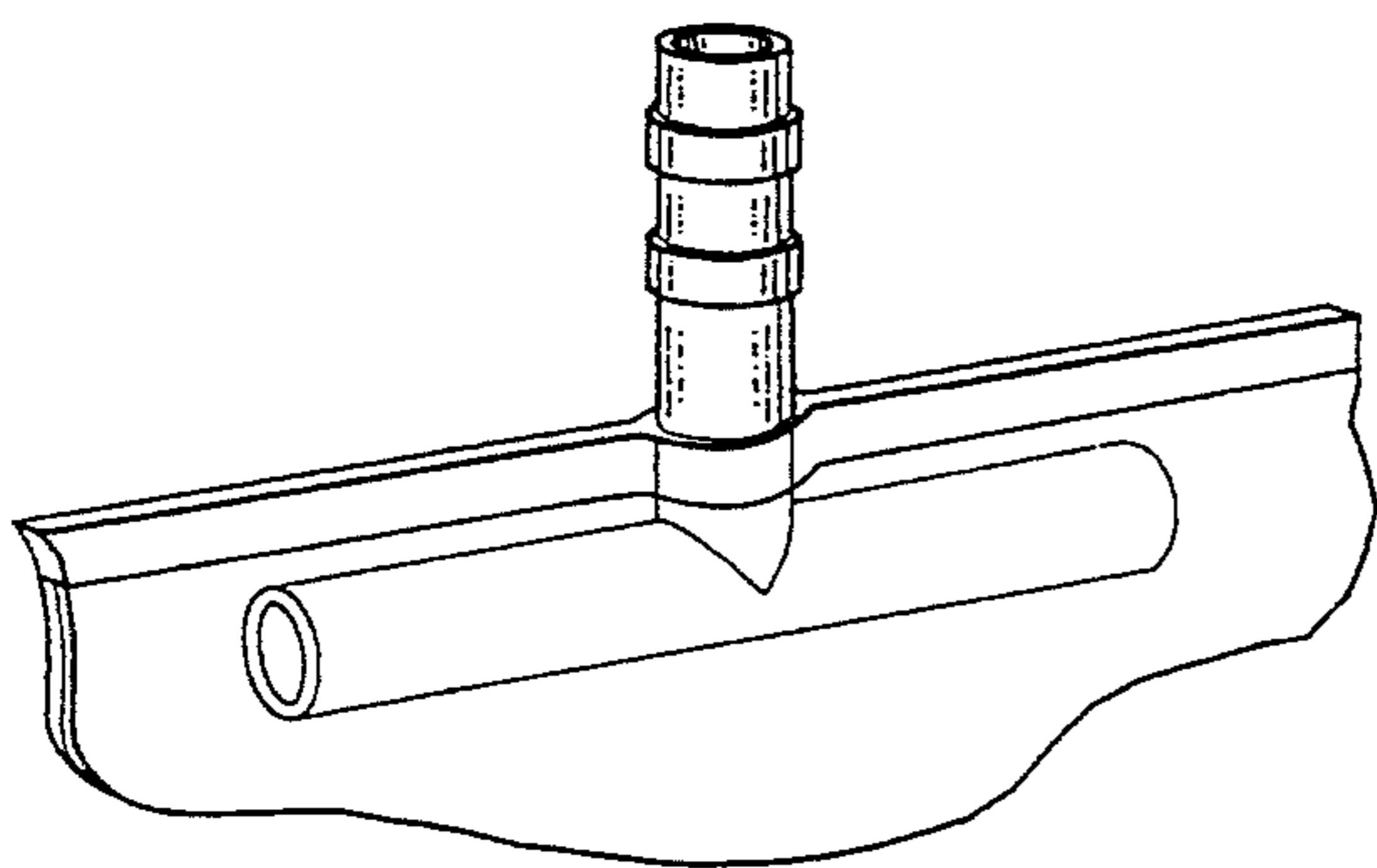


Fig. 8

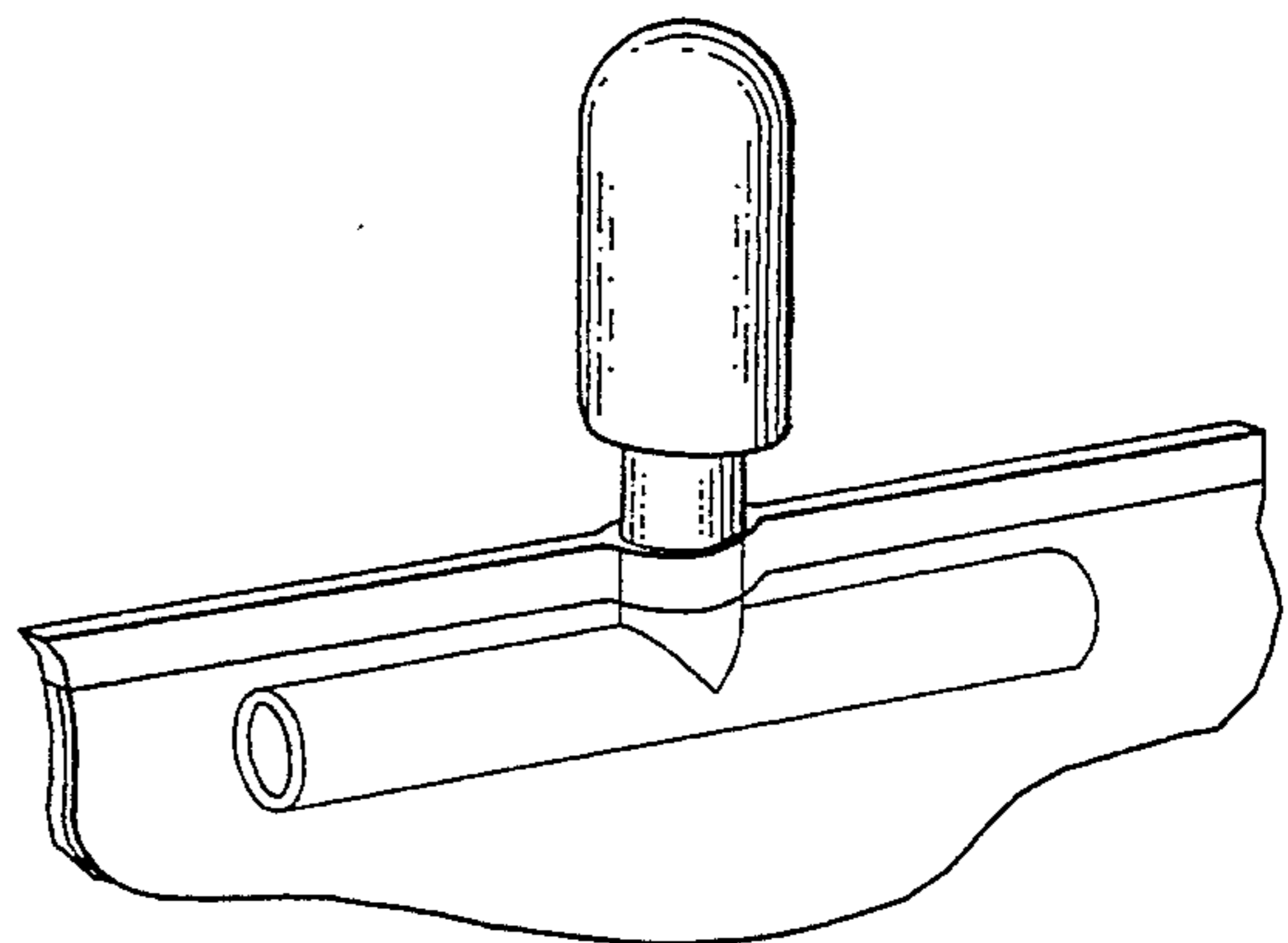


Fig. 9