



US00D354558S

United States Patent [19]

Marvin et al.

[11] Patent Number: **Des. 354,558**

[45] Date of Patent: **** Jan. 17, 1995**

[54] **COMBINED ELECTRIC FAN HOUSING AND STAND THEREFOR**

[75] Inventors: **Robert Marvin**, Farmington; **Richard O'Grady**, Southington, both of Conn.

[73] Assignee: **Duracraft Corp.**, Sudbury, Mass.

[**] Term: **14 Years**

[21] Appl. No.: **19,917**

[22] Filed: **Mar. 14, 1994**

[52] U.S. Cl. **D23/411; D23/332; D23/370**

[58] Field of Search **D23/411, 370, 332, 335, D23/336, 337, 328; 392/365-369; 415/220, 222**

[56] **References Cited**

U.S. PATENT DOCUMENTS

D. 83,636	3/1931	Meyer	D23/411
D. 339,859	9/1993	Cheslock	D23/370
2,606,273	8/1952	Franklin	416/95

Primary Examiner—Lisa P. Lichtenstein
Attorney, Agent, or Firm—Pennie & Edmonds

[57] CLAIM

The ornamental design for a combined electric fan housing and stand therefor, as shown.

DESCRIPTION

FIG. 1 is a front view of the combined electric fan housing and stand therefor;
FIG. 2 is a right side view of the fan;
FIG. 3 is a left side view of the fan;
FIG. 4 is a rear view of the fan;
FIG. 5 is a top view of the fan; and,
FIG. 6 is a bottom view of the fan.

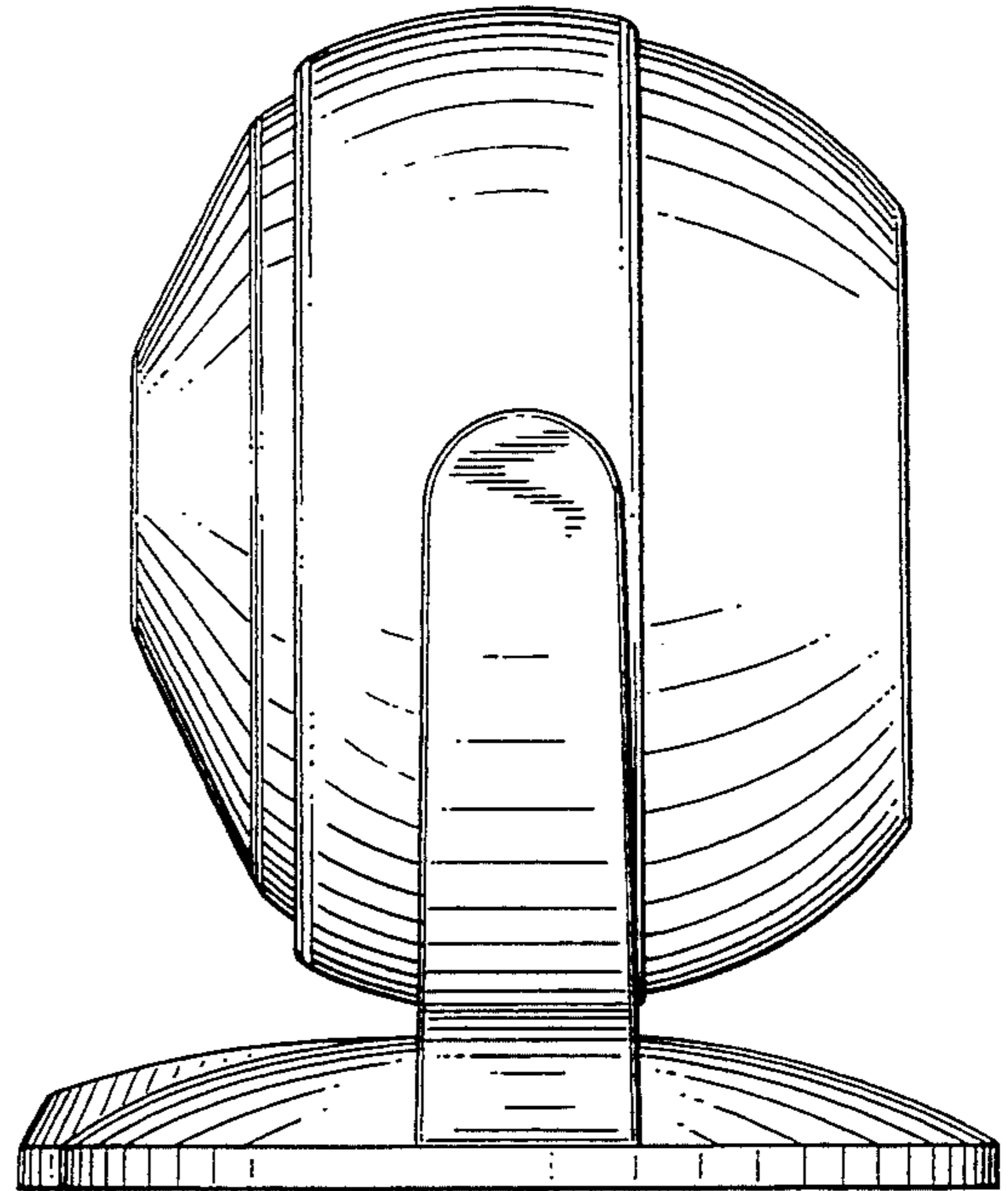
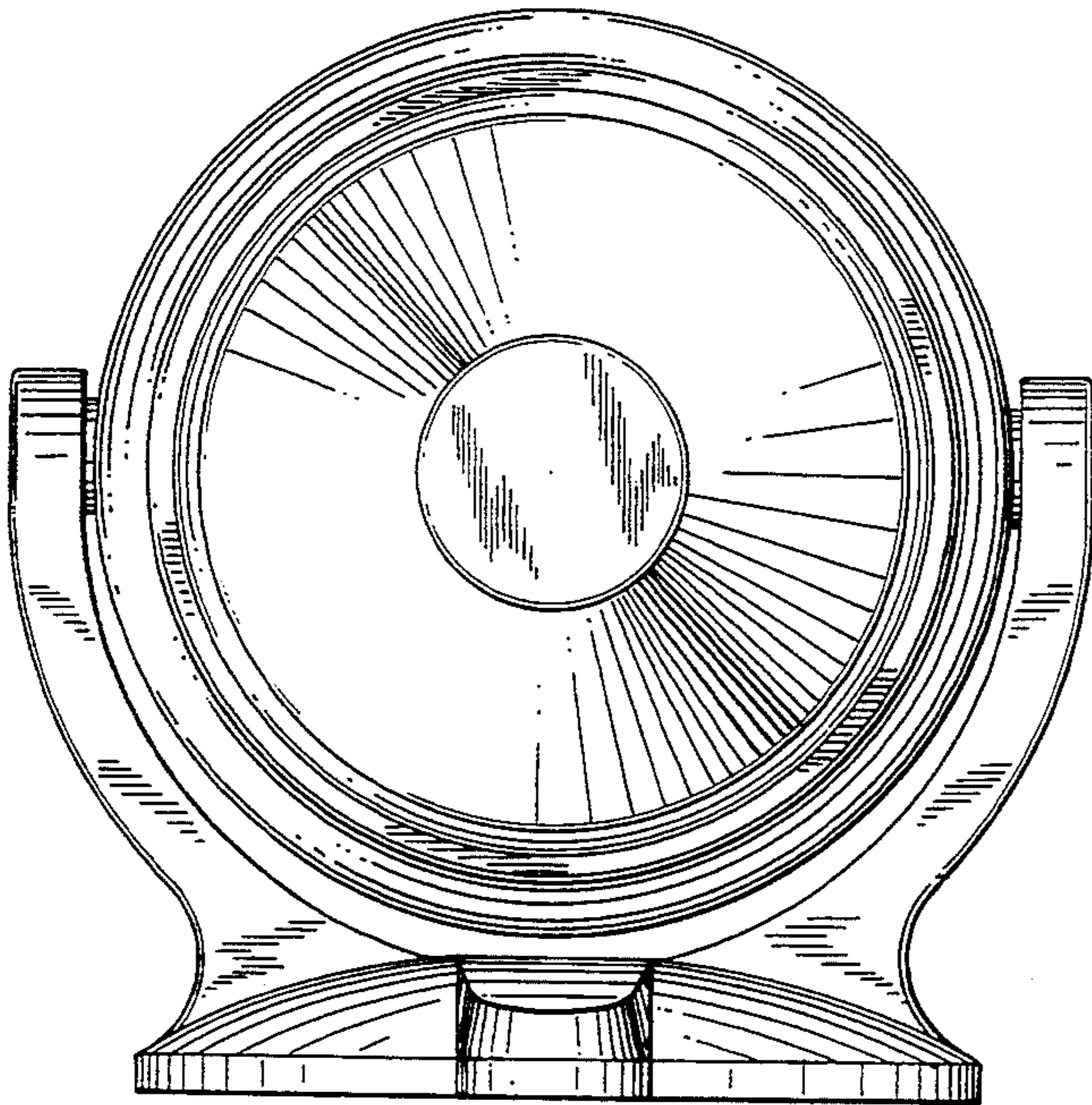


FIG. 1

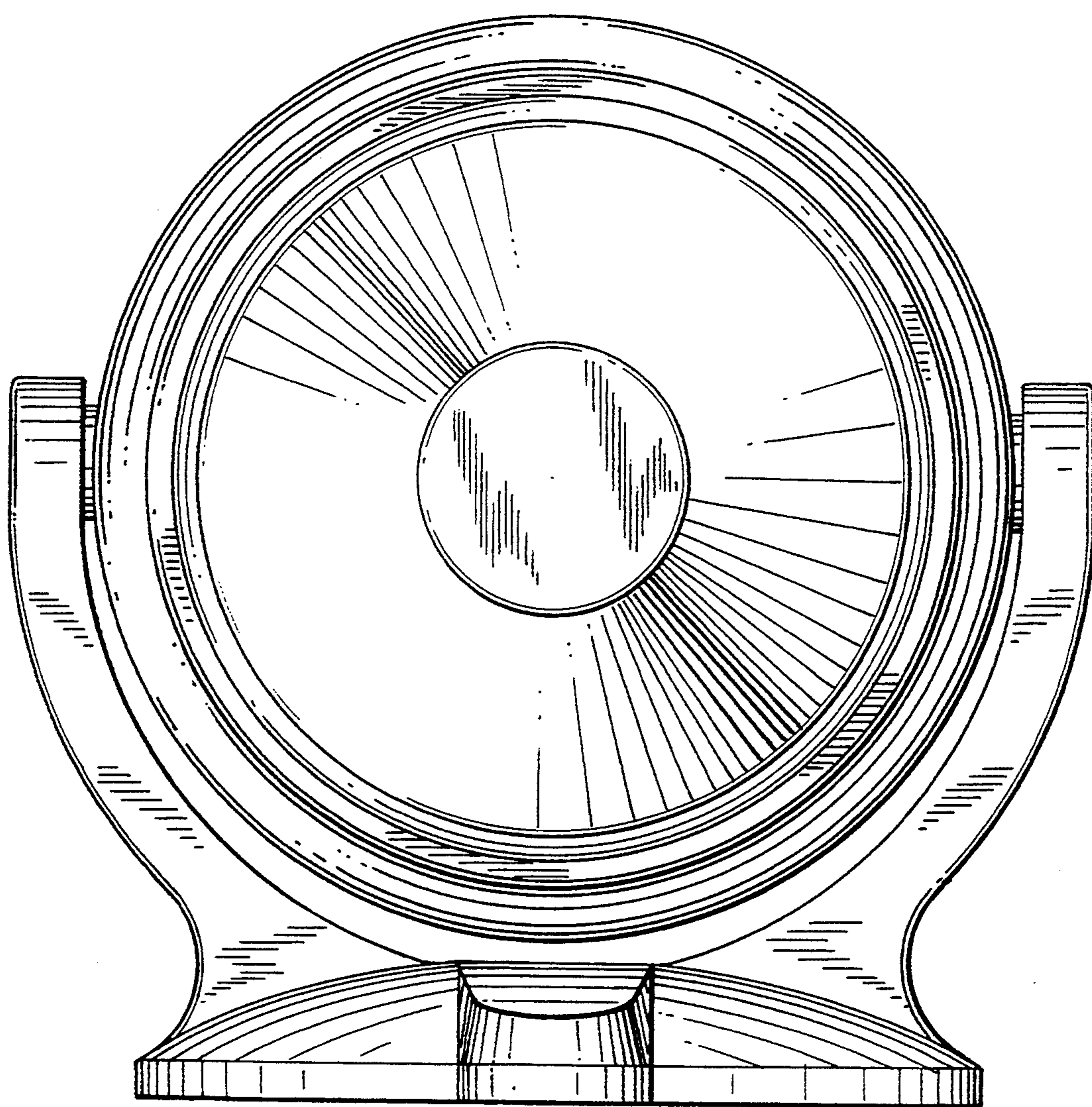


FIG. 2

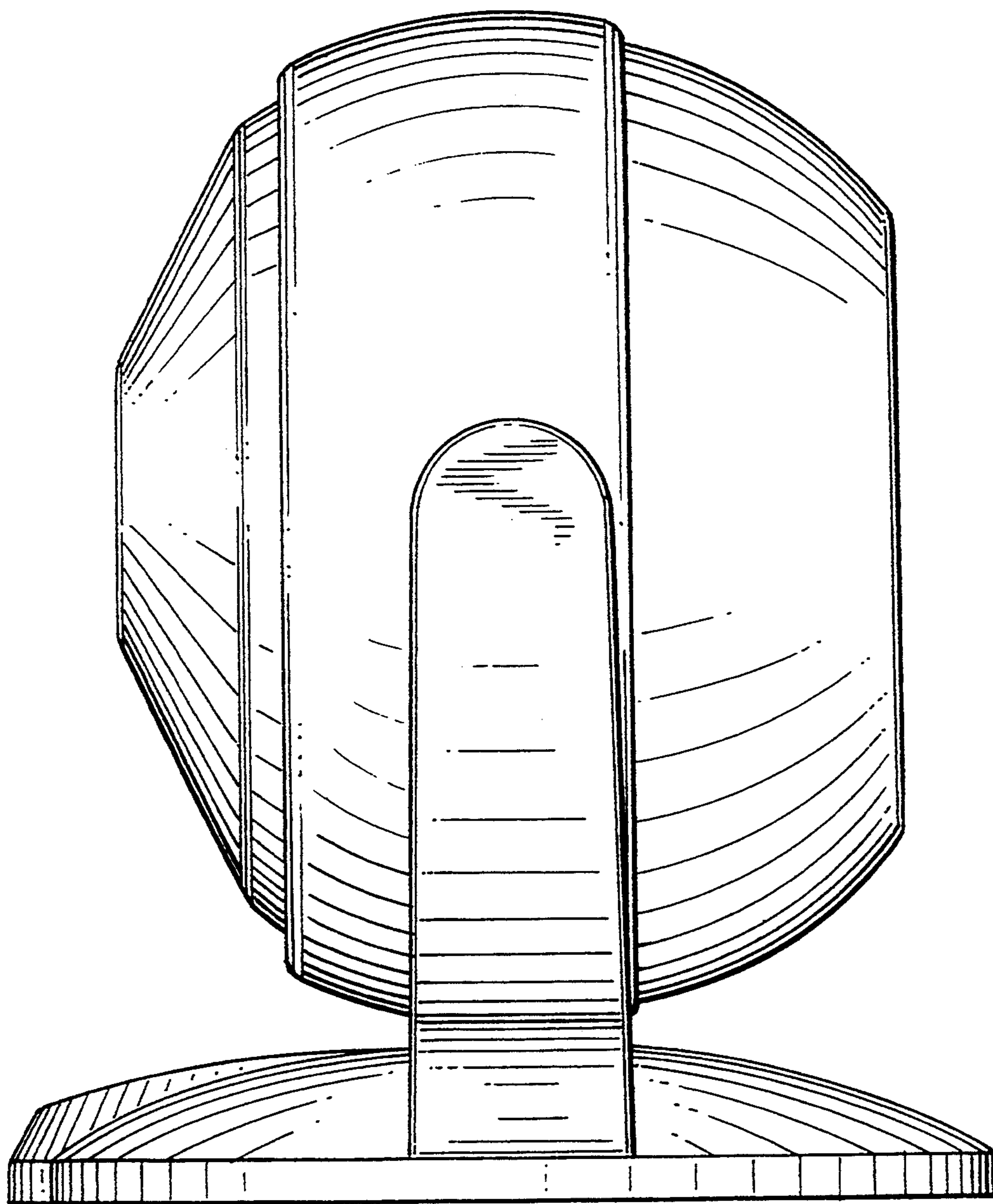


FIG. 3

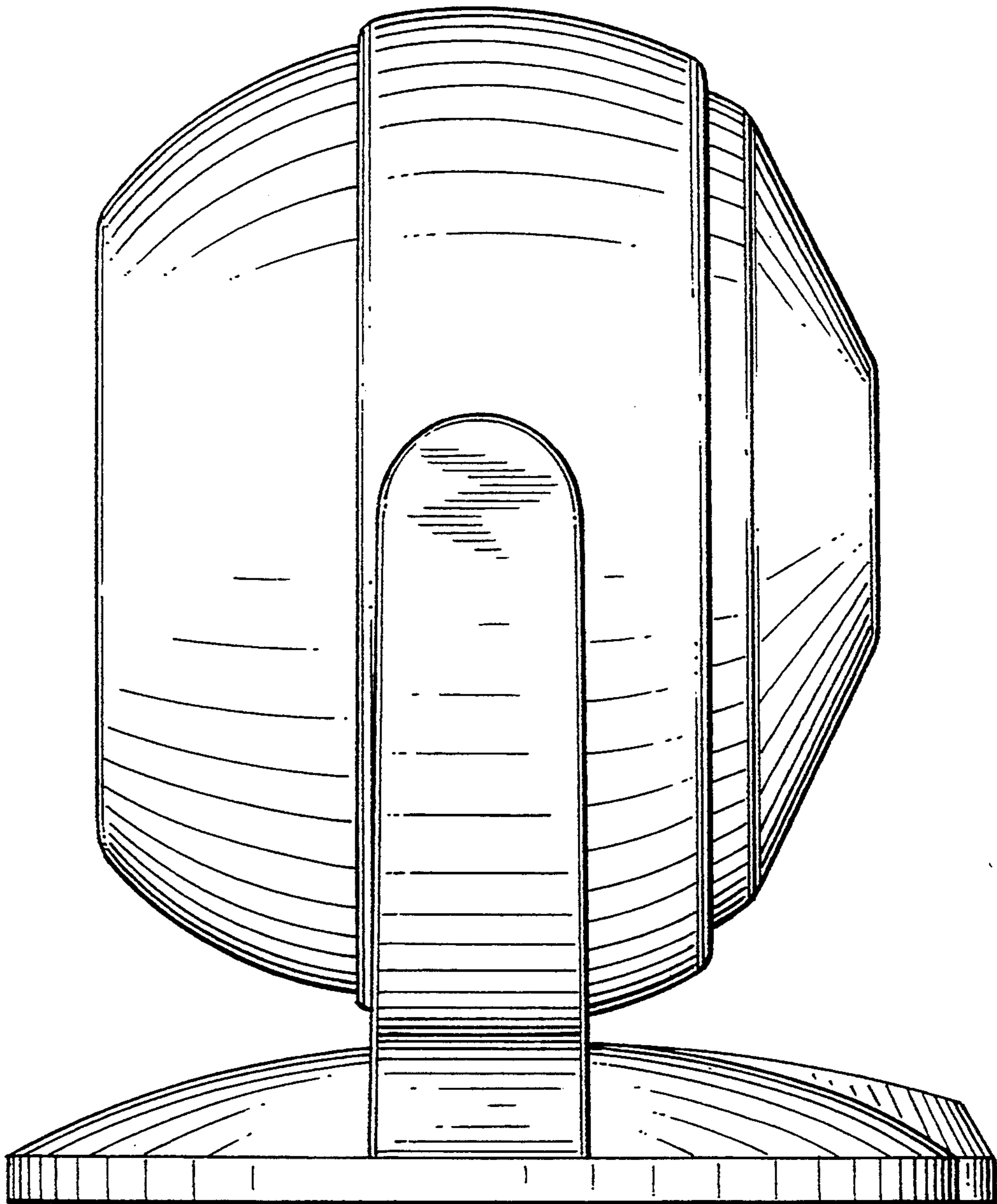


FIG. 4

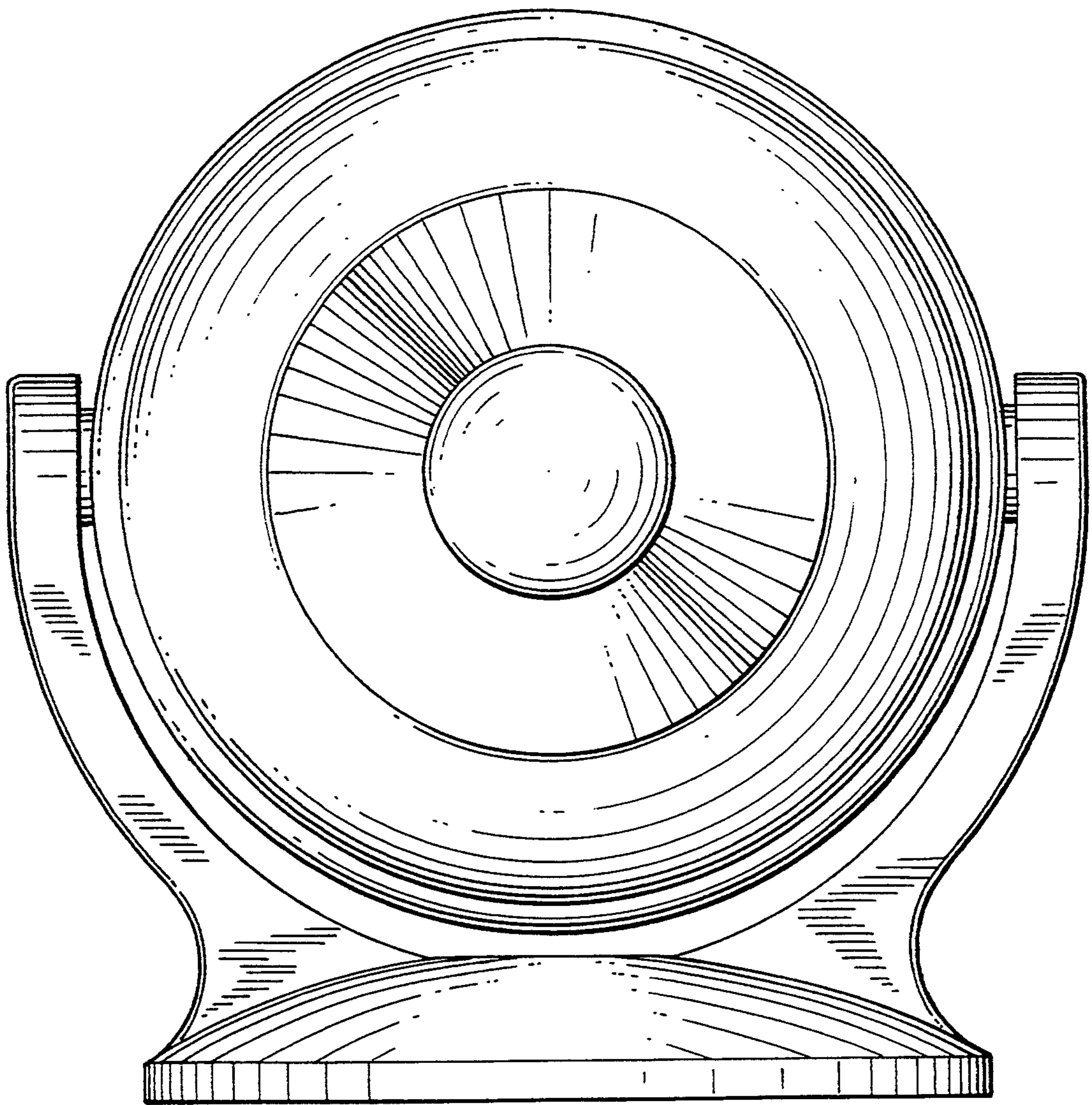


FIG. 5

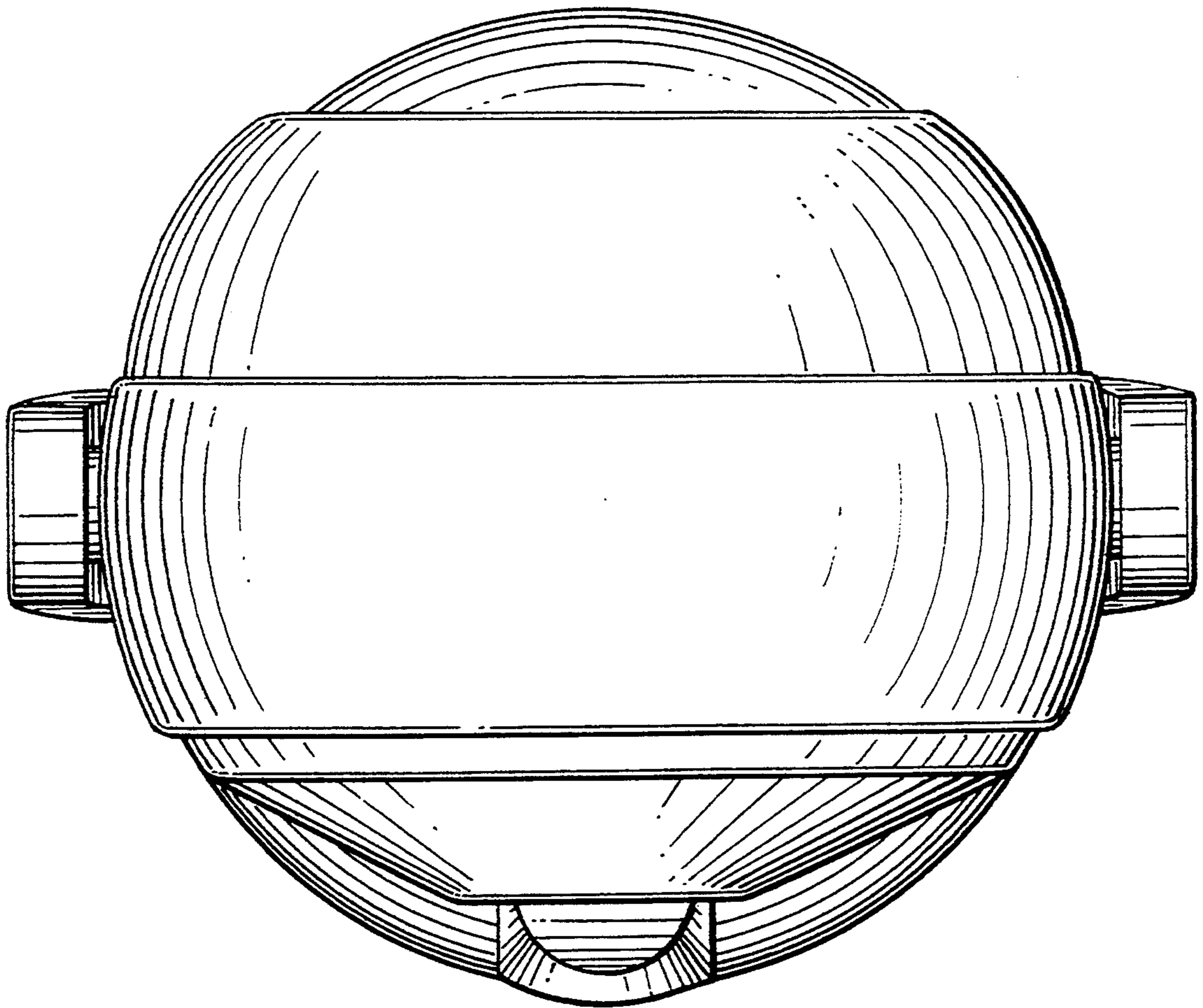


FIG. 6

