



US00D354556S

United States Patent [19] Silbersky

[11] Patent Number: **Des. 354,556**

[45] Date of Patent: **** Jan. 17, 1995**

[54] **BATHTUB**

[75] Inventor: **Jonnie Silbersky, Malmö, Sweden**

[73] Assignee: **Arjo Hospital Equipment AB,
Malmö, Sweden**

[**] Term: **14 Years**

[21] Appl. No.: **904**

[22] Filed: **Oct. 28, 1992**

[30] **Foreign Application Priority Data**

Apr. 29, 1992 [SE] Sweden 92-0964

[52] U.S. Cl. **D23/280.4**

[58] Field of Search D23/277-283;
D24/201-205; 4/538, 541.1-541.6, 546, 559,
584, 592, 593, 555, 563.1

[56] **References Cited**

U.S. PATENT DOCUMENTS

D. 247,044 1/1978 Johansson D23/277

D. 285,346 8/1986 Sween D24/204
3,842,449 10/1974 Geurtsen et al. 4/555 X
3,889,304 6/1975 Loren 4/563.1
4,357,721 11/1982 Newburger 4/538

Primary Examiner—James R. Largen
Attorney, Agent, or Firm—Ladas & Parry

[57] **CLAIM**

The ornamental design for bathtub, as shown and described.

DESCRIPTION

FIG. 1 is a perspective view taken from the top, front and left side of a bathtub showing my new design;

FIG. 2 is a top plan view thereof;

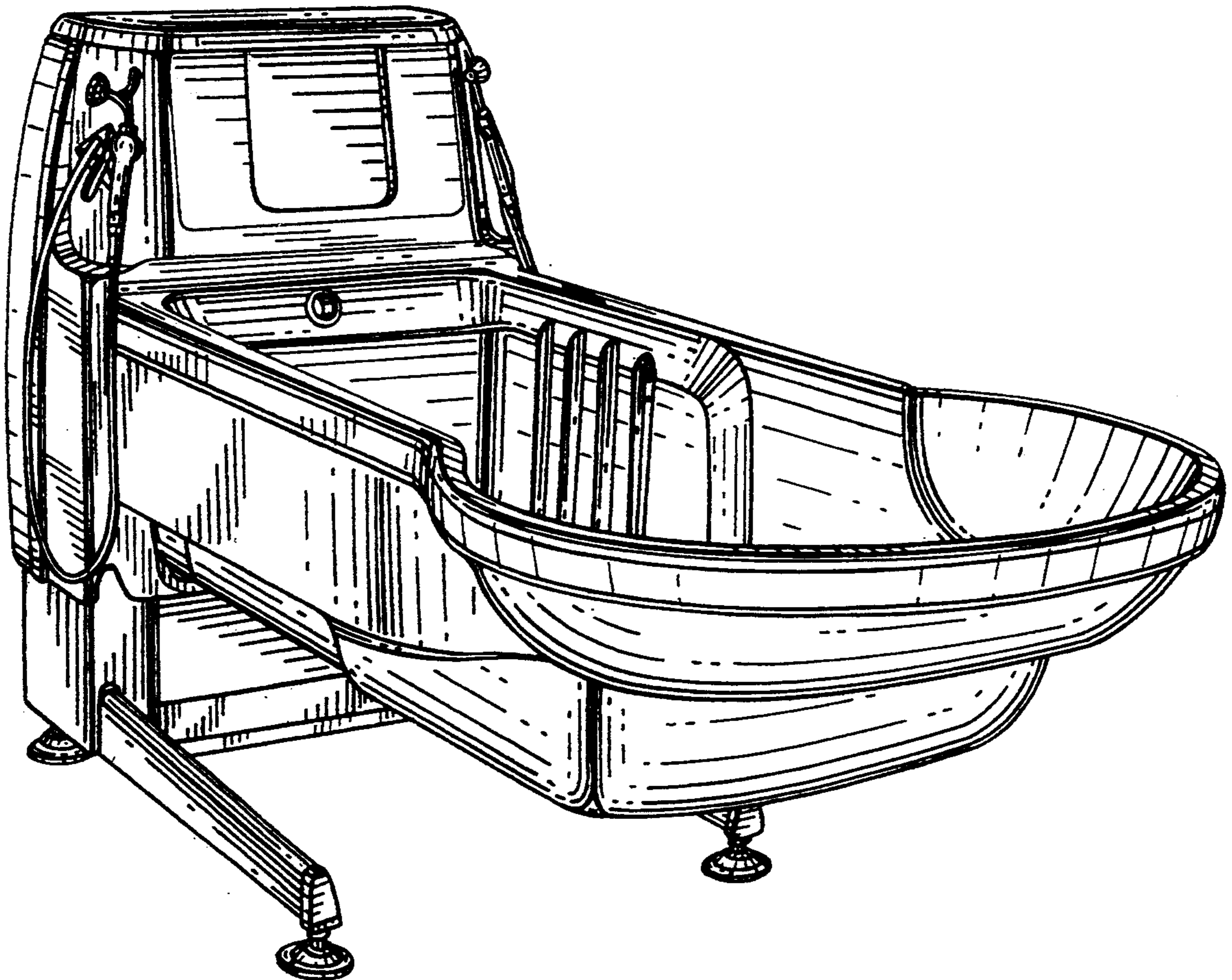
FIG. 3 is a perspective view taken from the bottom, front and right side thereof;

FIG. 4 is a left side elevational view thereof, the view from the right side being the mirror image thereof;

FIG. 5 is a front elevational view thereof;

FIG. 6 is a rear elevational view thereof; and,

FIG. 7 is a bottom plan view thereof.



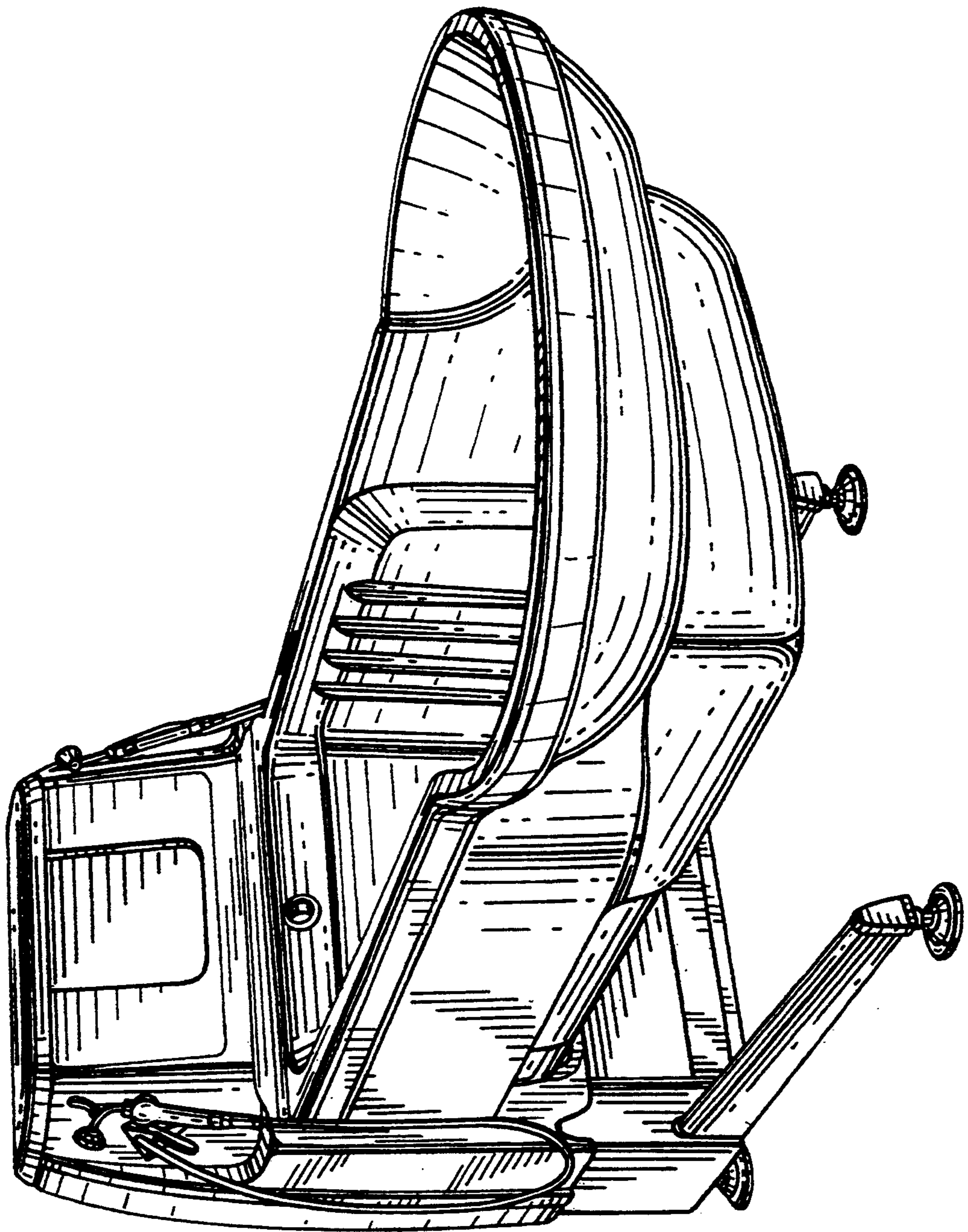


FIG. 1

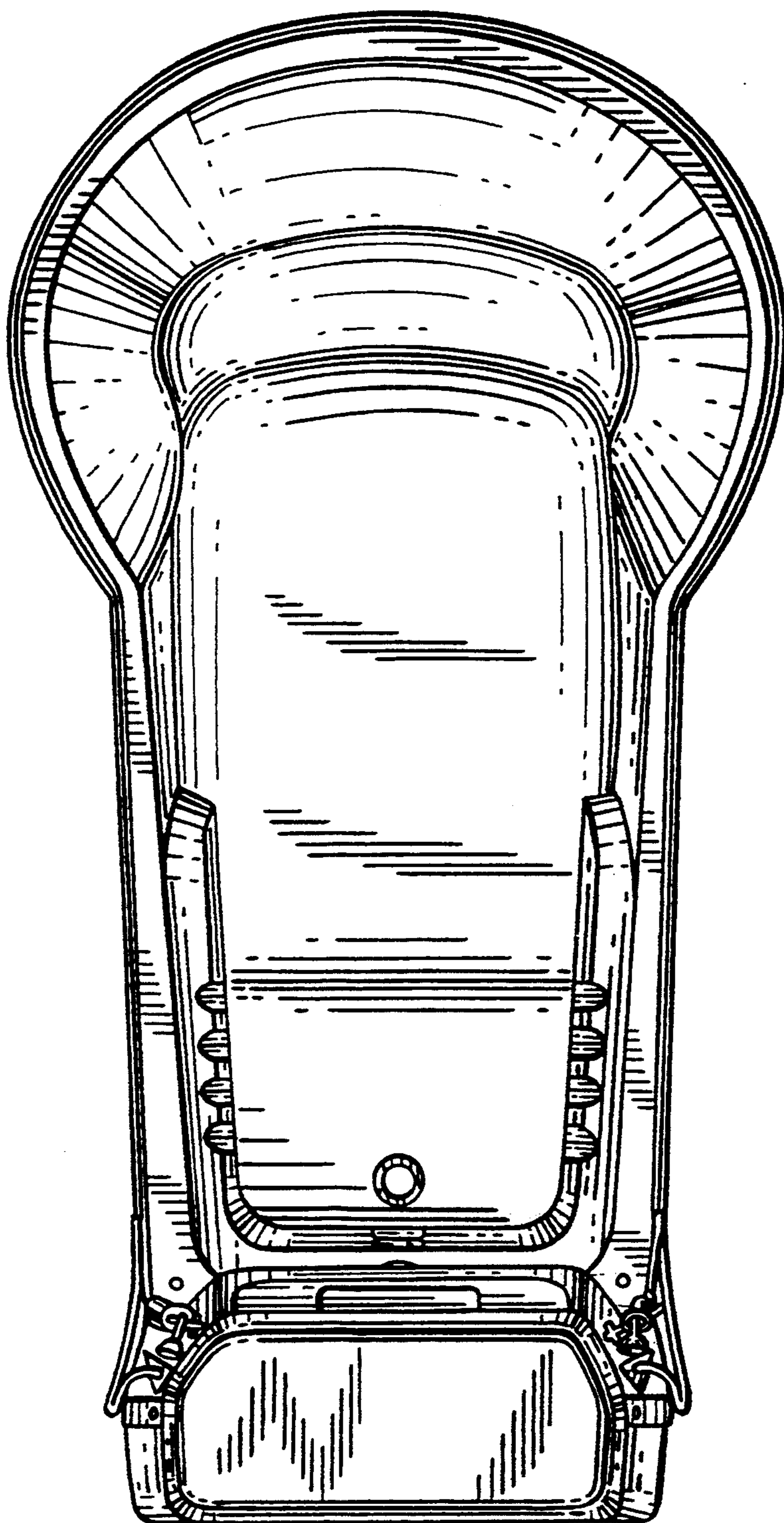


FIG. 2

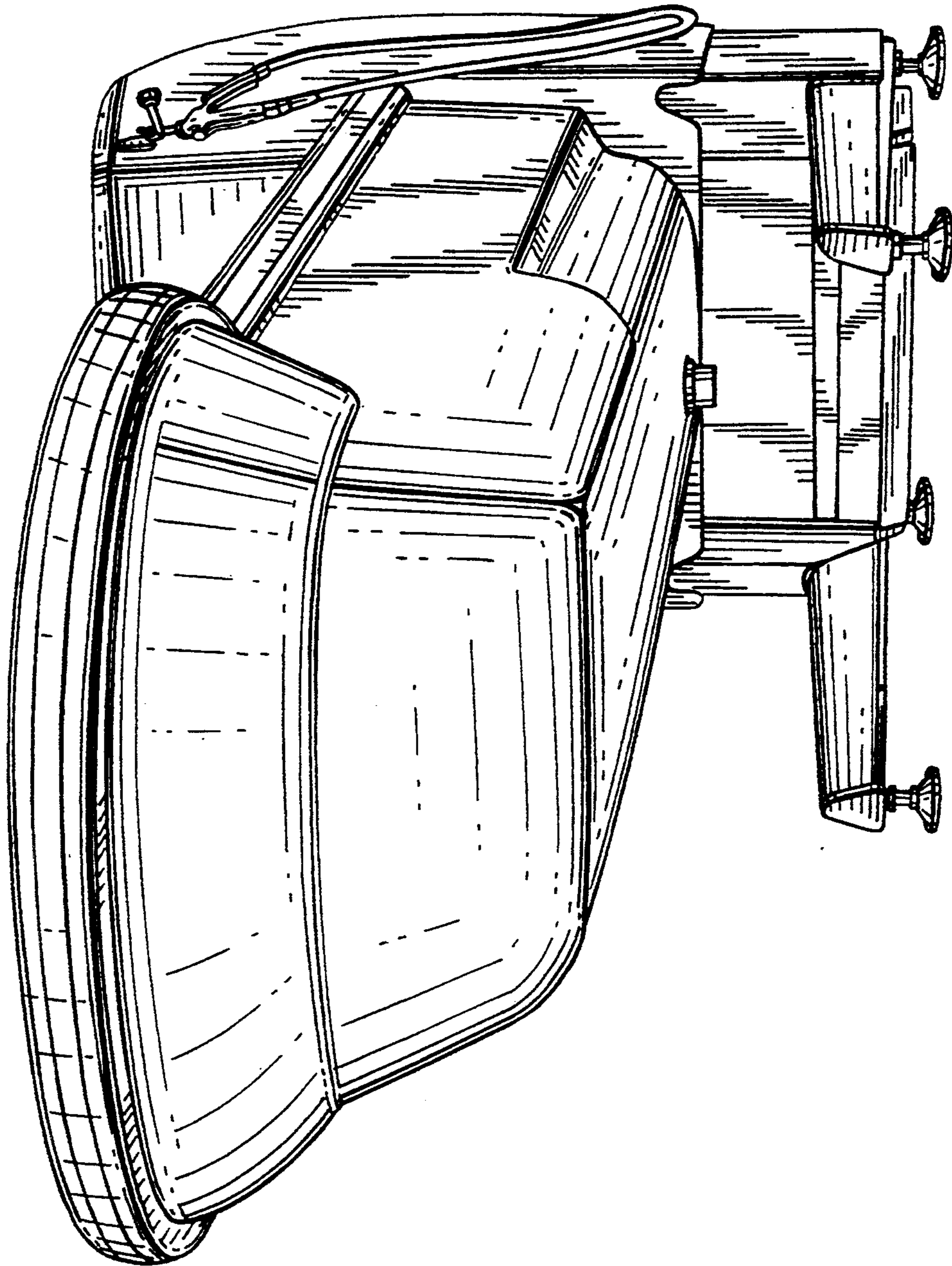


FIG. 3

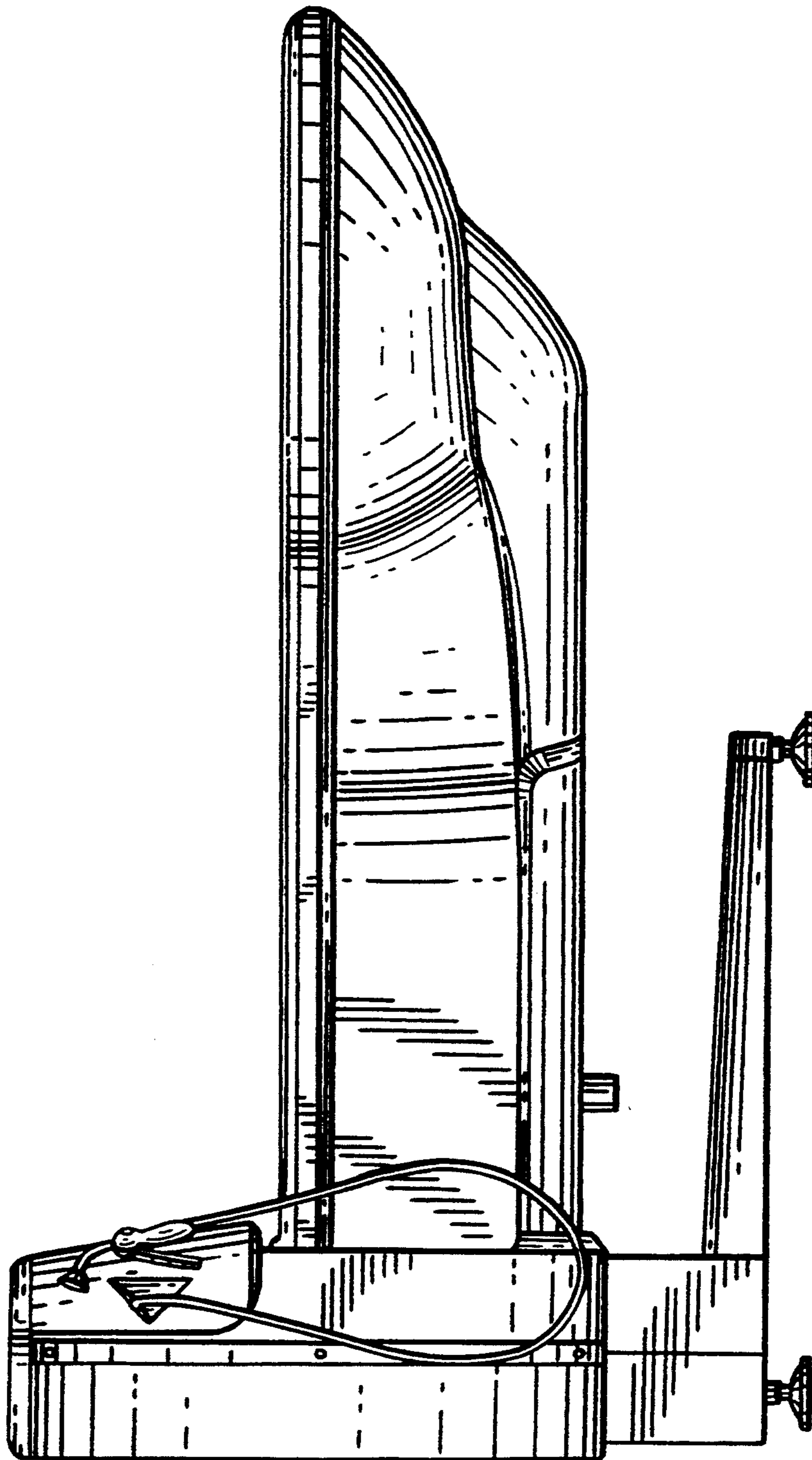


FIG. 4

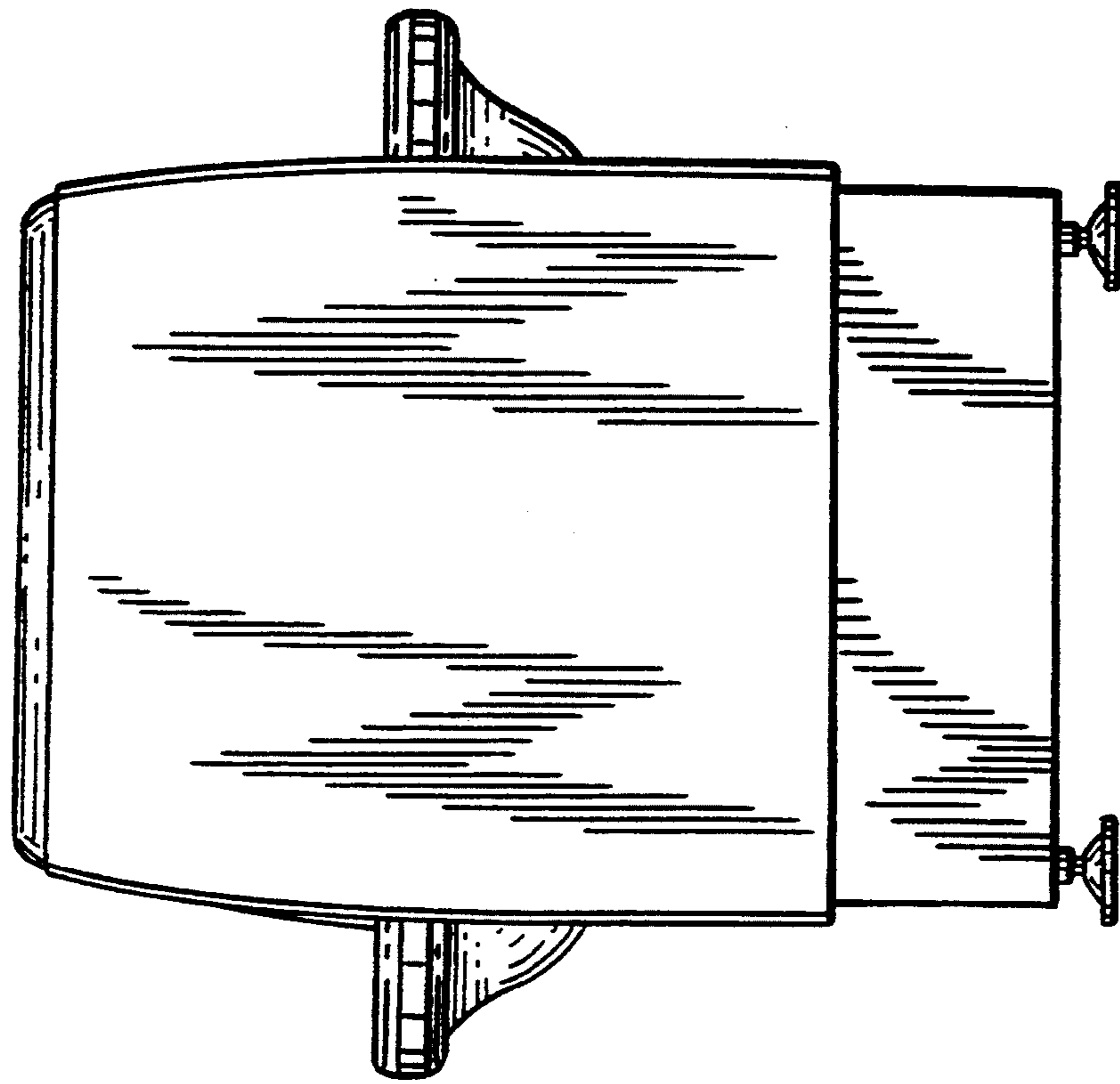


FIG. 6

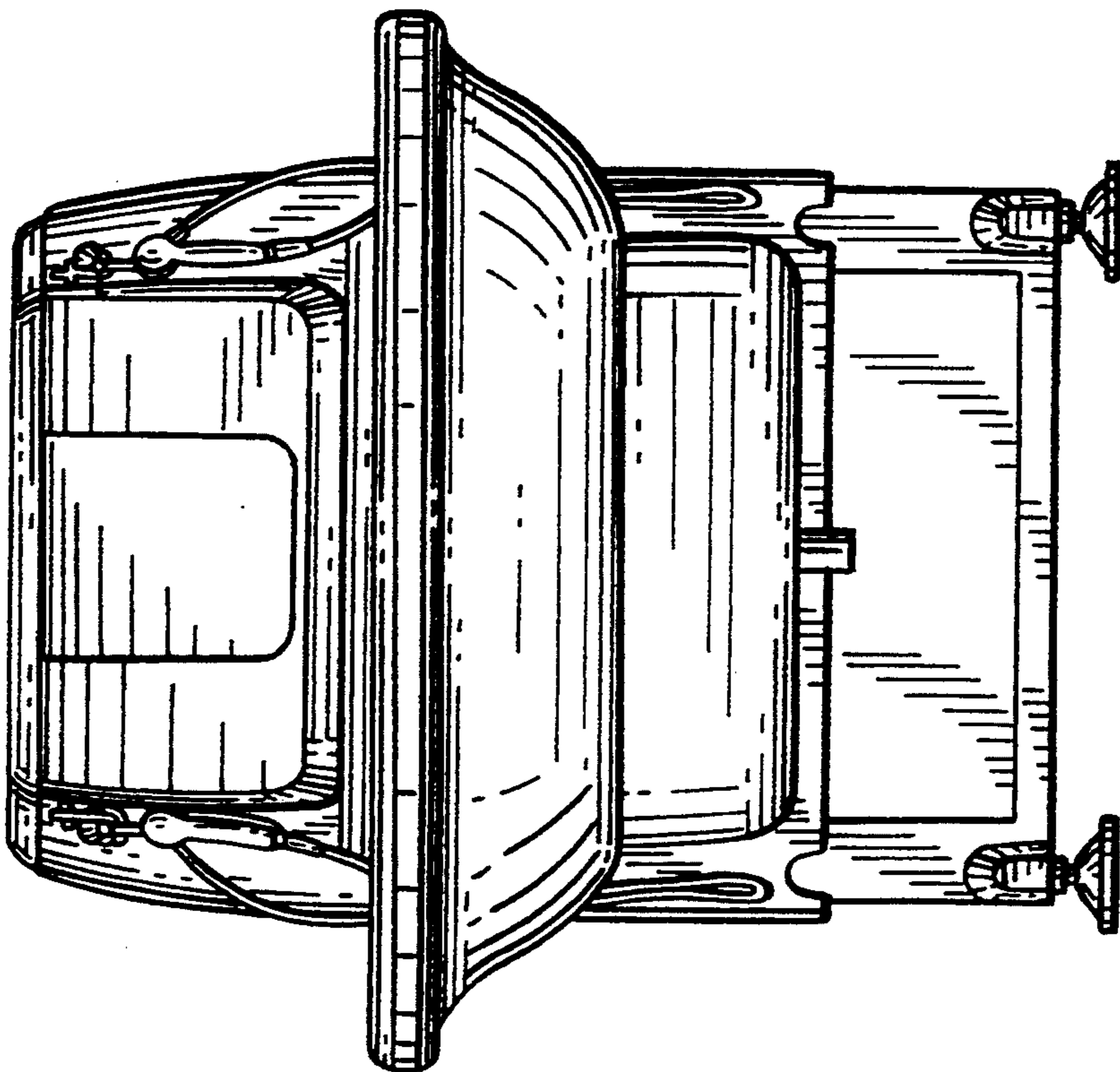


FIG. 5

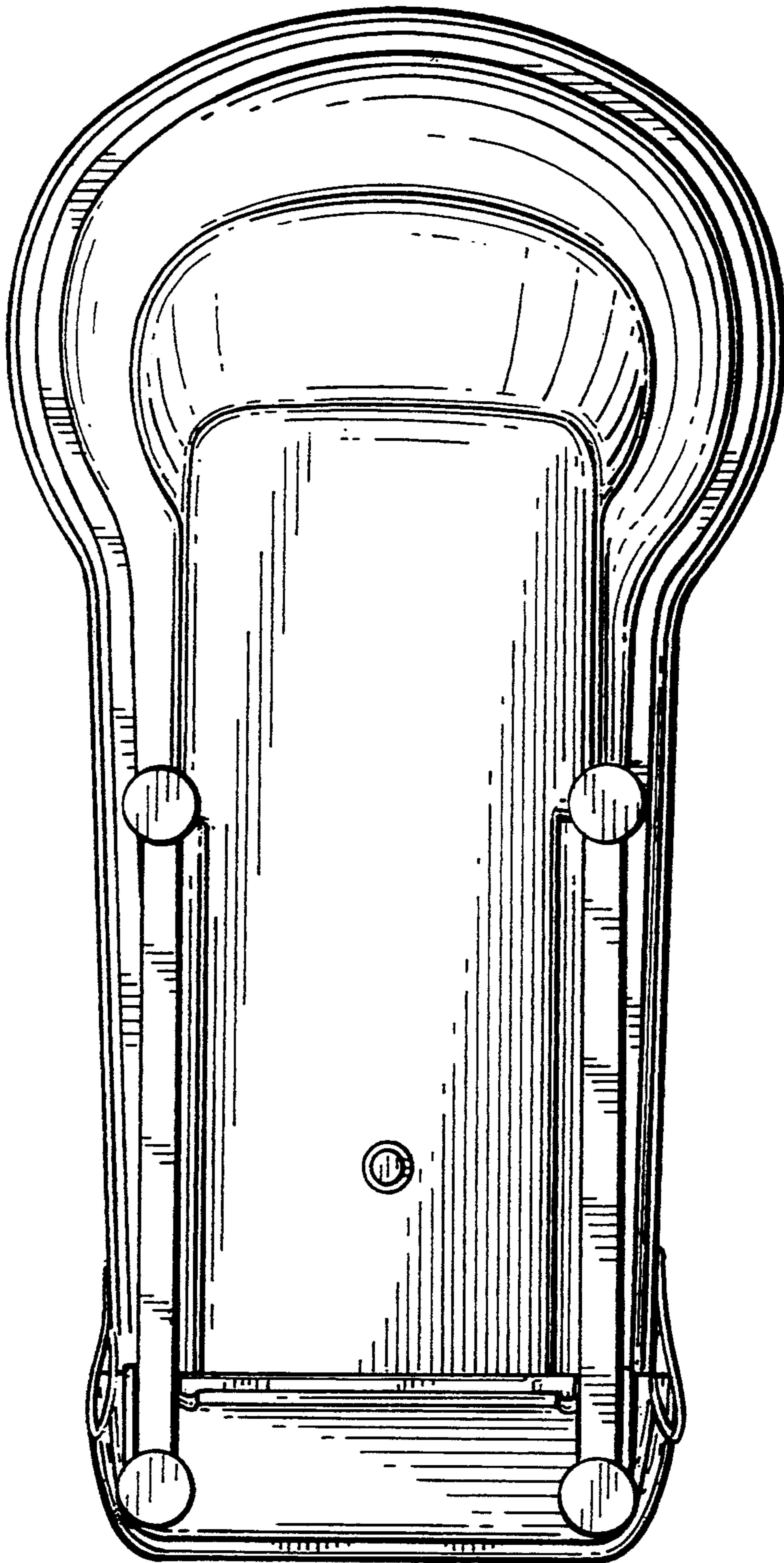


FIG. 7