



US00D354553S

United States Patent [19]

[11] Patent Number: **Des. 354,553**

Lange

[45] Date of Patent: **** Jan. 17, 1995**

[54] **GAS PIPE CONNECTOR**

3,970,334 7/1976 Campbell 285/30

[75] Inventor: **Bruce J. Lange**, New Berlin, Wis.

Primary Examiner—A. Hugo Word

Assistant Examiner—Eric Watterson

[73] Assignee: **Mechanical Specialties, Inc.**, New Berlin, Wis.

Attorney, Agent, or Firm—Foley & Lardner

[**] Term: **14 Years**

[57] **CLAIM**

The ornamental design for a gas pipe connector, as shown and described.

[21] Appl. No.: **14,006**

DESCRIPTION

[22] Filed: **Oct. 8, 1993**

[52] U.S. Cl. **D23/263**

[58] Field of Search D23/259, 260, 261, 262, D23/263, 264, 265, 266, 267, 268, 269; 285/30

FIG. 1 is a perspective view of the gas pipe connector showing my new design;

FIG. 2 is a front elevational view thereof;

FIG. 3 is a top plan view thereof;

FIG. 4 is a rear elevational view thereof;

FIG. 5 is a left side elevational view thereof;

FIG. 6 is a right side elevational view thereof; and,

FIG. 7 is a bottom plan view thereof.

The broken line showing is for illustrative purposes only and forms no part of the claimed design.

[56] **References Cited**

U.S. PATENT DOCUMENTS

| | | | | |
|-----------|--------|--------------|-------|----------|
| 2,510,512 | 6/1950 | Mueller | | 285/30 |
| 2,892,641 | 6/1959 | Ford | | 285/30 |
| 3,296,860 | 1/1967 | Smith et al. | | 285/30 X |

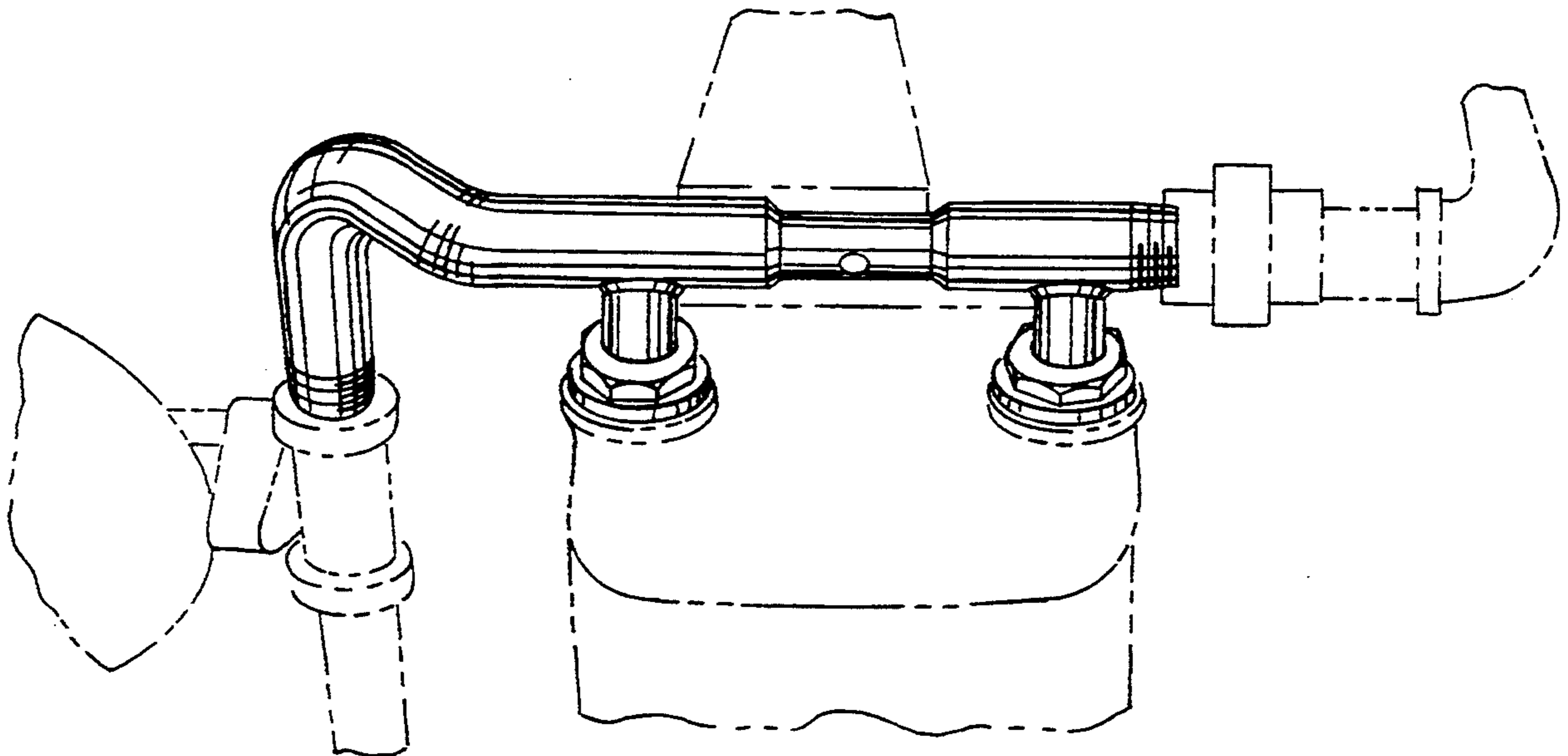


FIG. 1

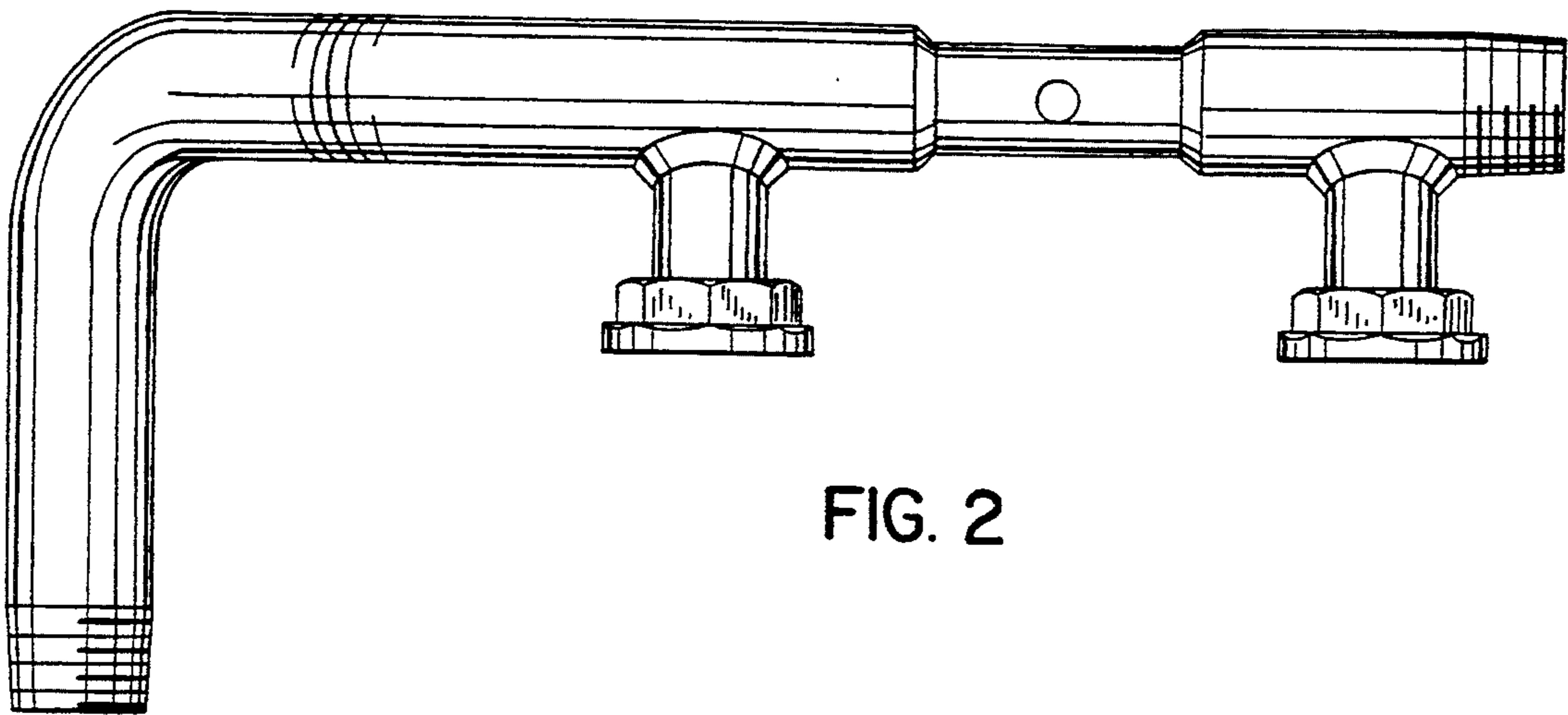
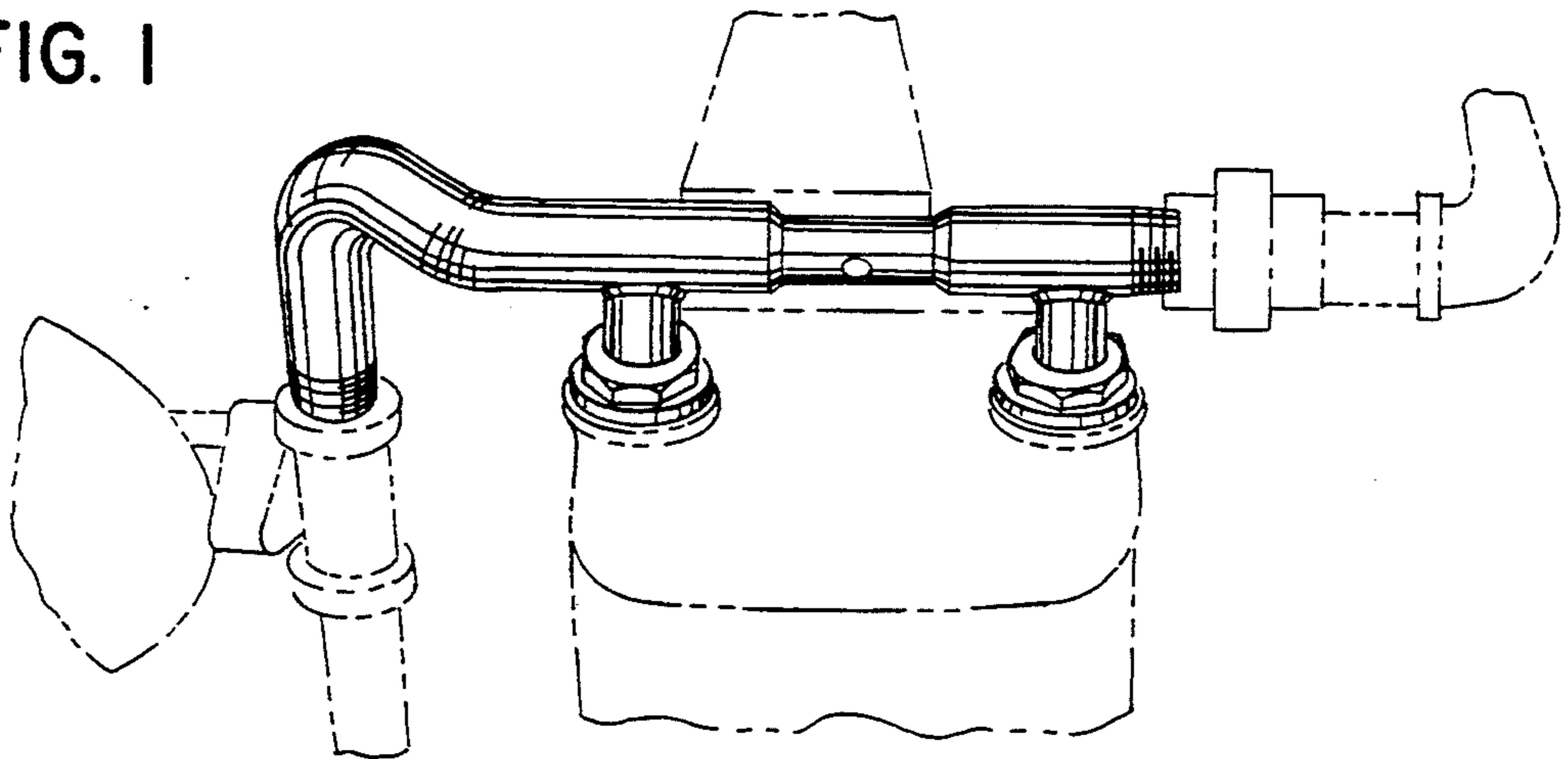


FIG. 2

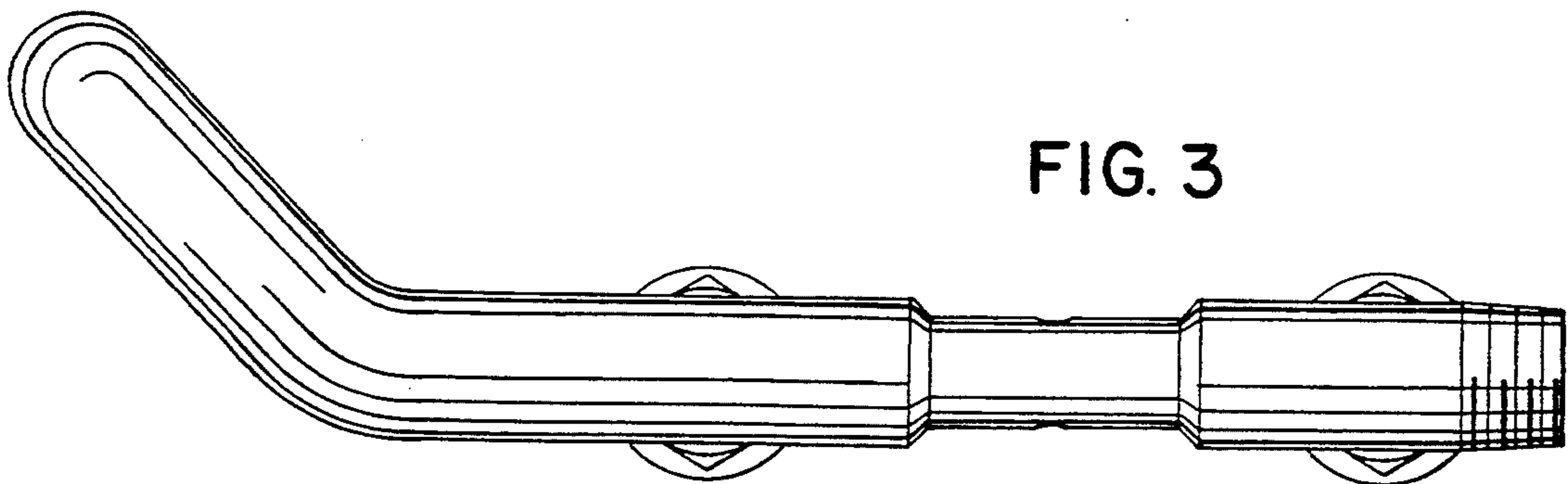


FIG. 3

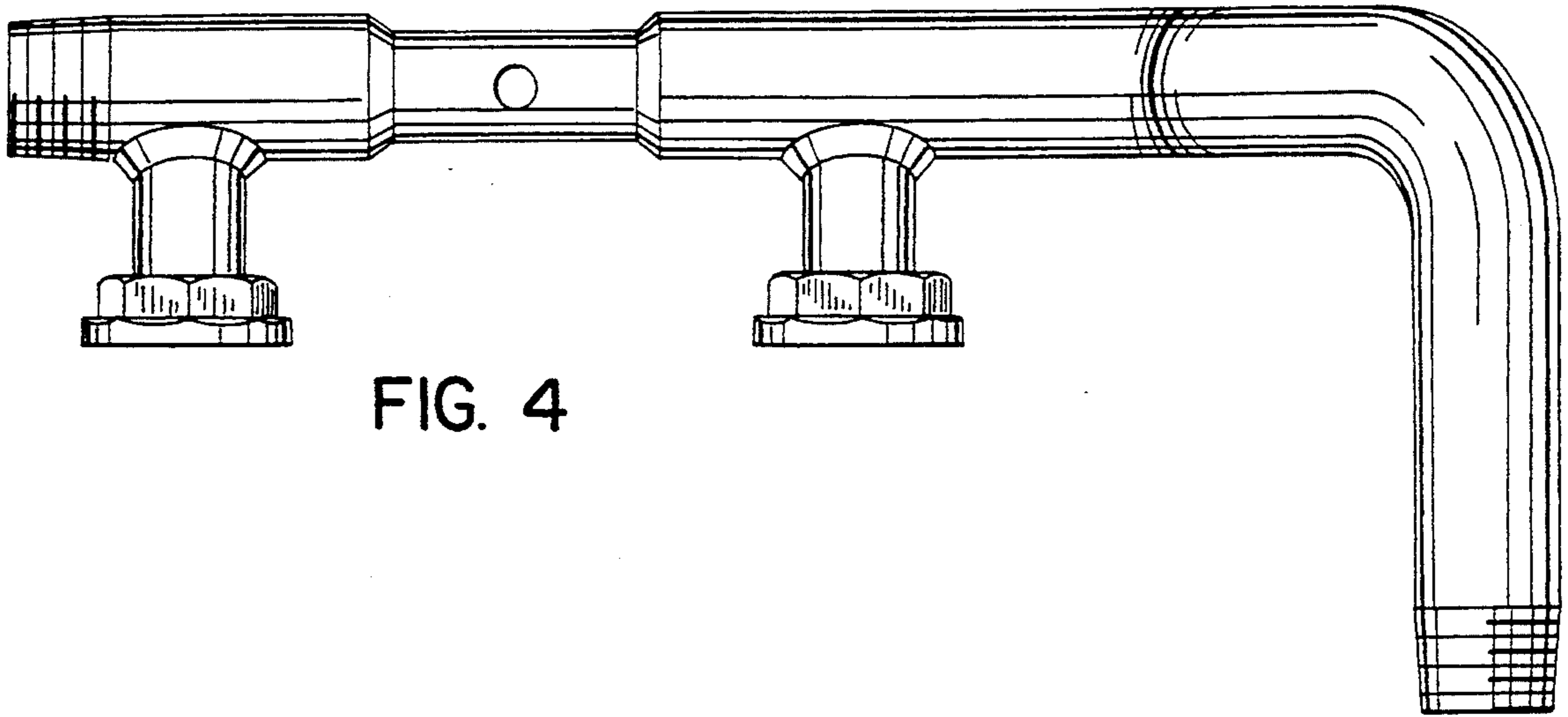


FIG. 4

FIG. 5

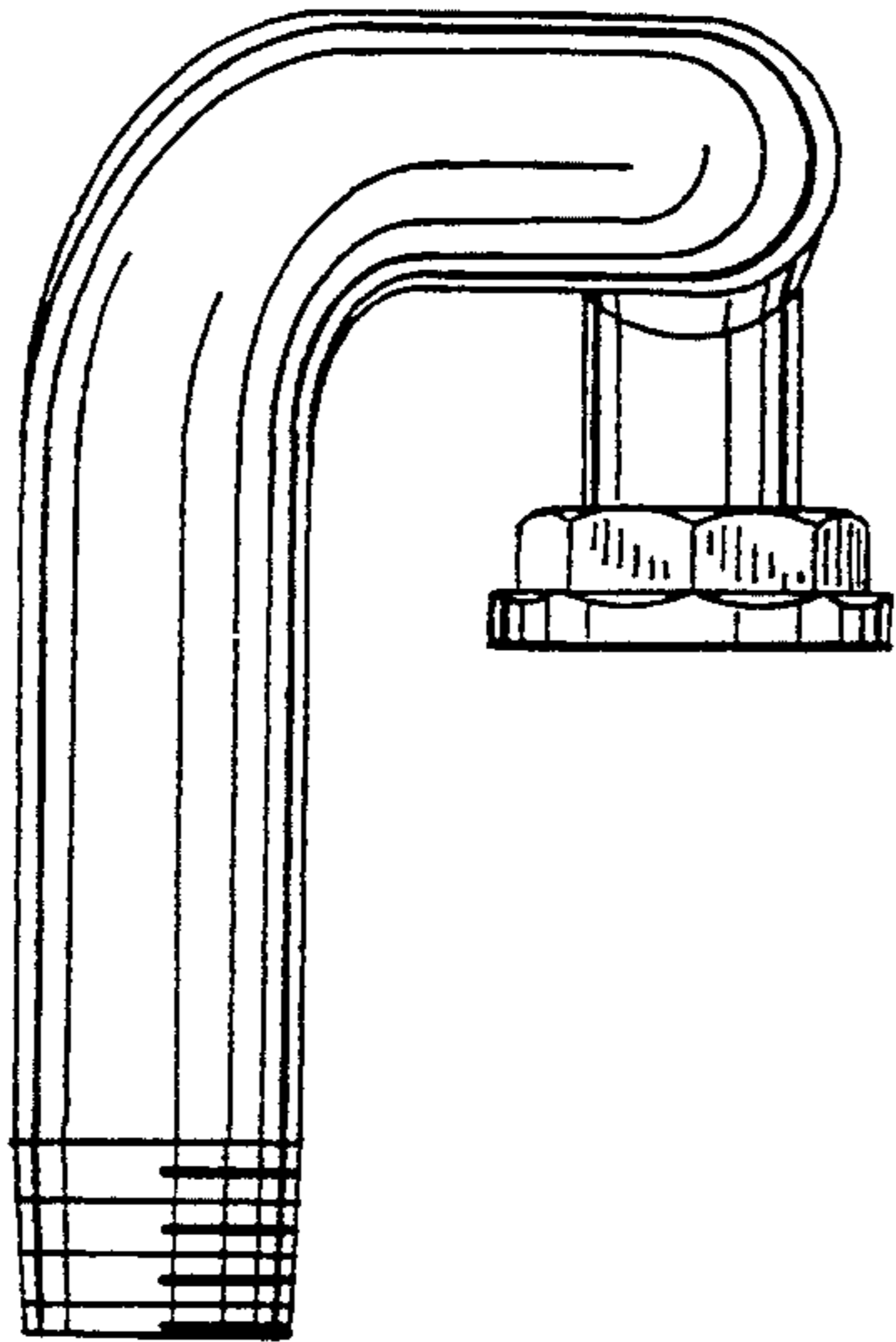


FIG. 6

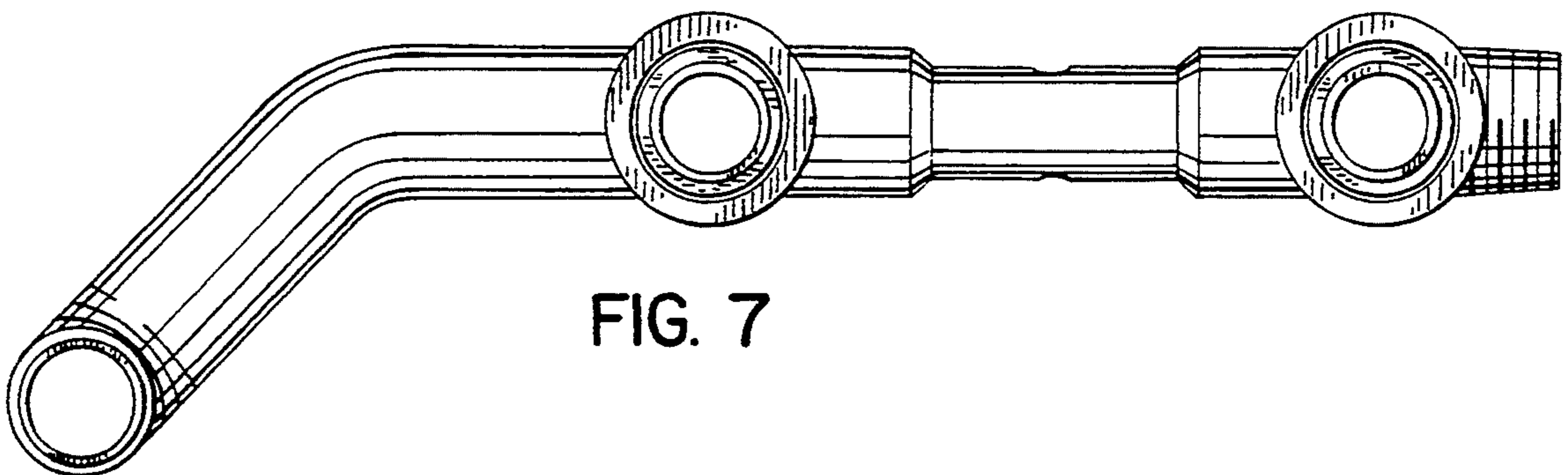
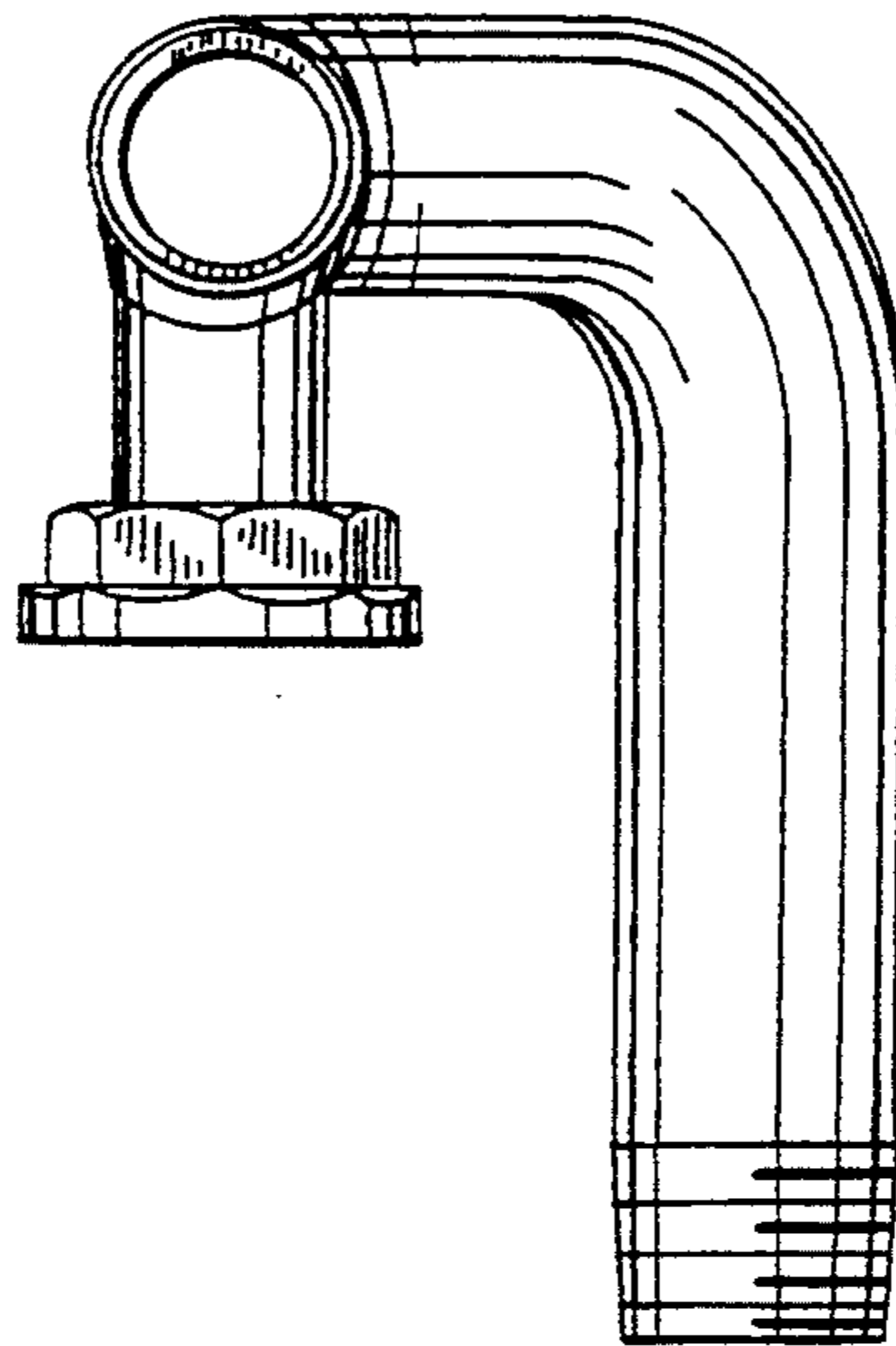


FIG. 7