



US00D354550S

United States Patent [19]

[11] Patent Number: **Des. 354,550**

Munoz

[45] Date of Patent: **** Jan. 17, 1995**

[54] **BATHTUB SPOUT PROTECTIVE COVER**

[75] Inventor: **Raul Munoz, Chicago, Ill.**

[73] Assignee: **Selfix, Inc., Chicago, Ill.**

[**] Term: **14 Years**

[21] Appl. No.: **16,688**

[22] Filed: **Dec. 20, 1993**

[52] U.S. Cl. **D23/256**

[58] Field of Search **D23/249, 255-257; 4/661, DIG. 18; 137/801**

1,517,926	12/1924	Weckesser .	
1,893,972	1/1933	Whitman .	
2,564,618	8/1951	Williams	299/84
3,199,788	8/1963	Davis	239/310
3,612,404	10/1971	Vicari	239/310
4,131,232	12/1978	Pollinzi	239/314
4,353,139	10/1982	Wainwright et al.	4/661
4,463,462	8/1984	Greenhut	4/605
4,821,960	4/1989	Goldman	239/211
5,125,577	6/1992	Frankel	239/211

Primary Examiner—James R. Largen

Attorney, Agent, or Firm—Dressler, Goldsmith, Shore & Milnamow

[56] **References Cited**

U.S. PATENT DOCUMENTS

D. 155,252	9/1949	Wolf .	
D. 163,527	6/1951	Lewandowski .	
D. 173,979	2/1955	Crenshaw .	
D. 177,676	5/1956	Hurwitz	D23/256
D. 184,302	1/1959	Cooper .	
D. 207,941	6/1967	Laguera .	
D. 216,883	3/1970	Katzman .	
D. 224,486	8/1972	Miller	D23/249
D. 225,976	1/1973	Lins	D23/249
D. 236,298	8/1975	Baca .	
D. 282,563	2/1986	Beene .	
D. 298,161	10/1988	Garcia	D23/241
D. 305,926	2/1990	Butler	D23/249
D. 316,896	5/1991	Fukuoka	D23/256
D. 326,312	5/1992	Frankel	D23/256
D. 326,313	5/1992	Frankel	D23/256

[57] **CLAIM**

The ornamental design for a bathtub spout protective cover, as shown and described.

DESCRIPTION

FIG. 1 is a perspective view taken from the top, front and left side of a bathtub spout protective cover showing my new design;

FIG. 2 is a front elevational view thereof;

FIG. 3 is a left side elevational view thereof, the right side being a mirror image of the left side;

FIG. 4 is a top plan view thereof;

FIG. 5 is a rear elevational view thereof; and,

FIG. 6 is a bottom plan view thereof.

The broken line representation of surface ornamentation in FIGS. 1 through 4 is for purposes of illustration only and forms no part of the claimed design.

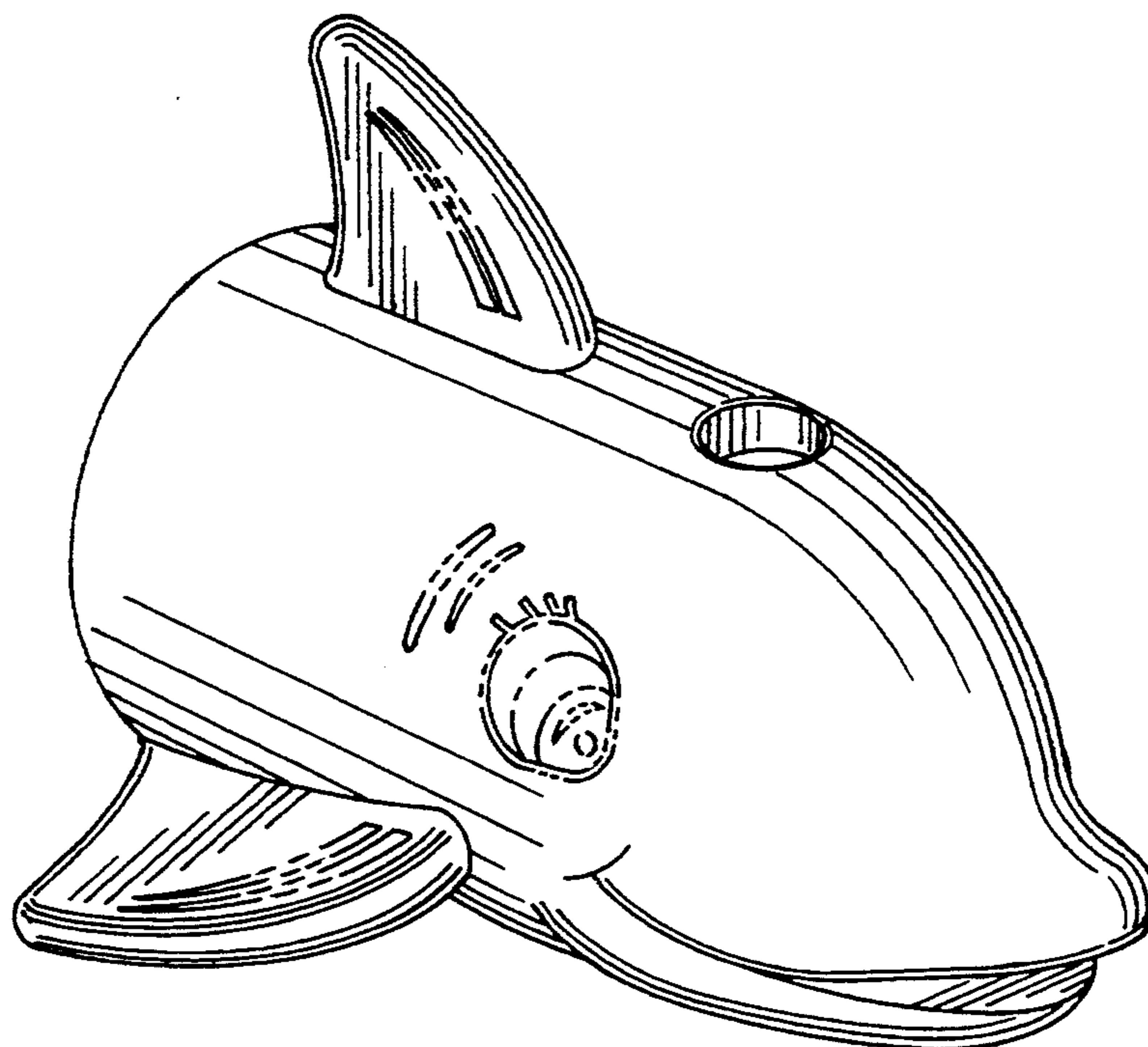


FIG.1

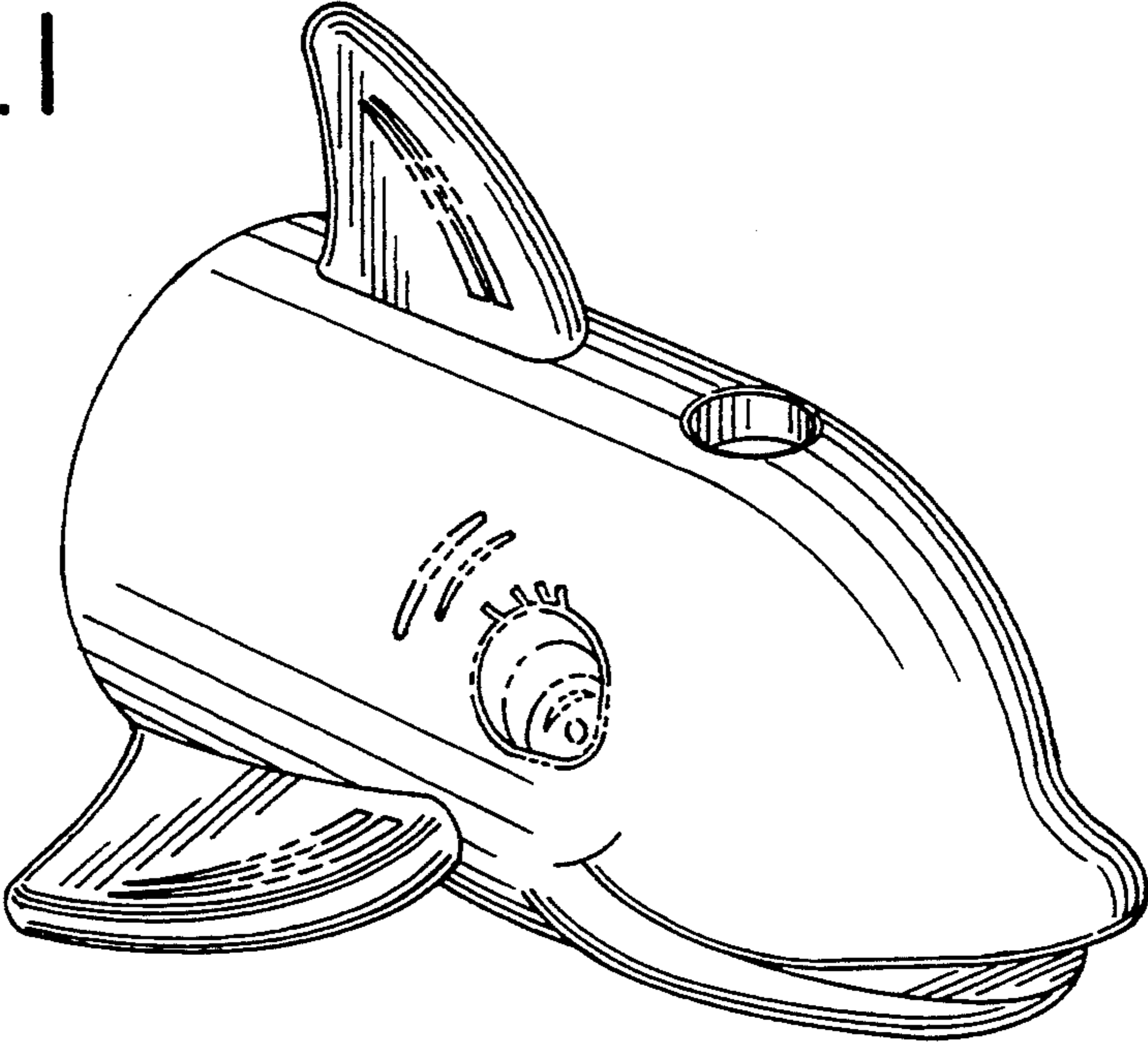


FIG.2

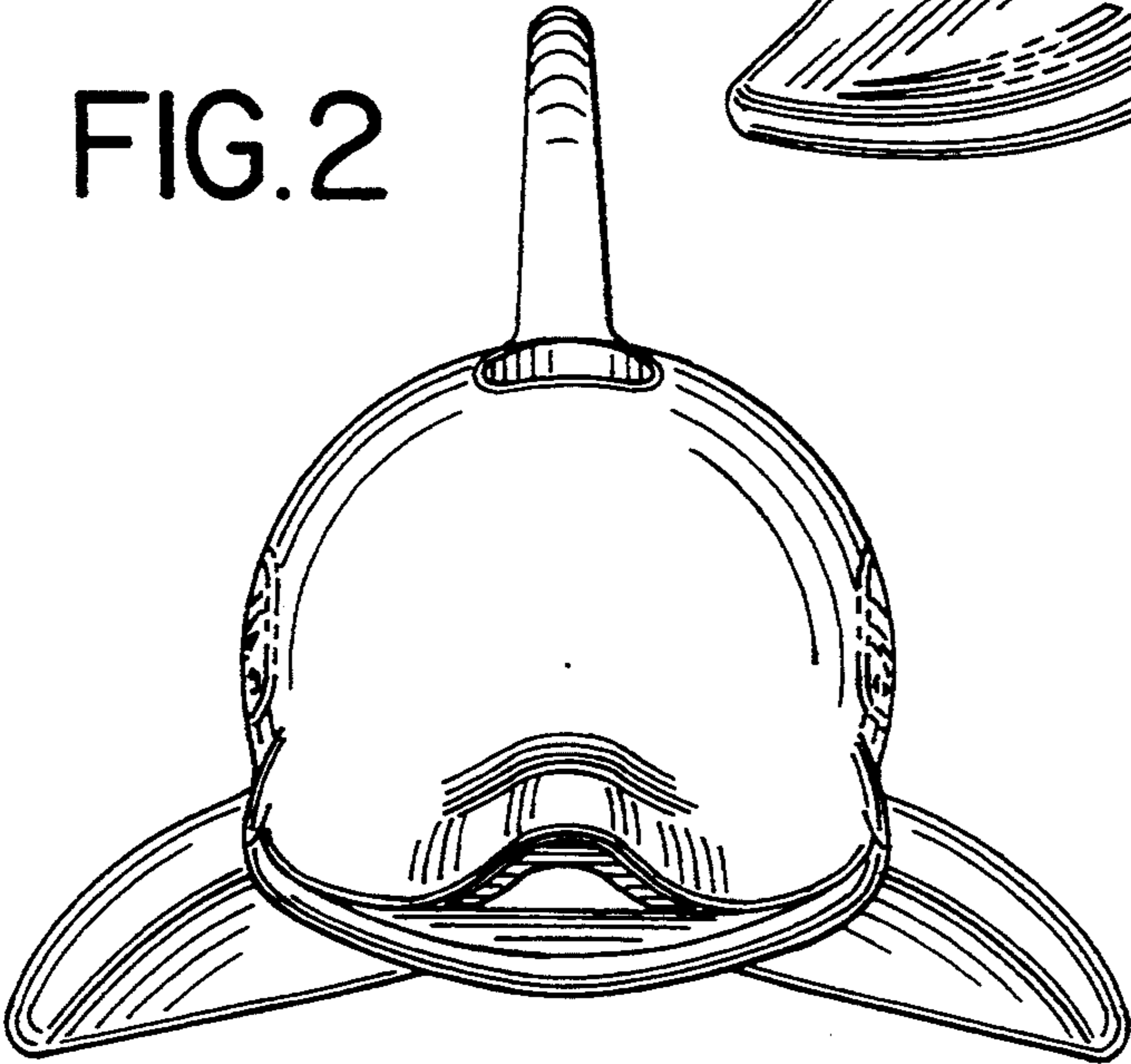
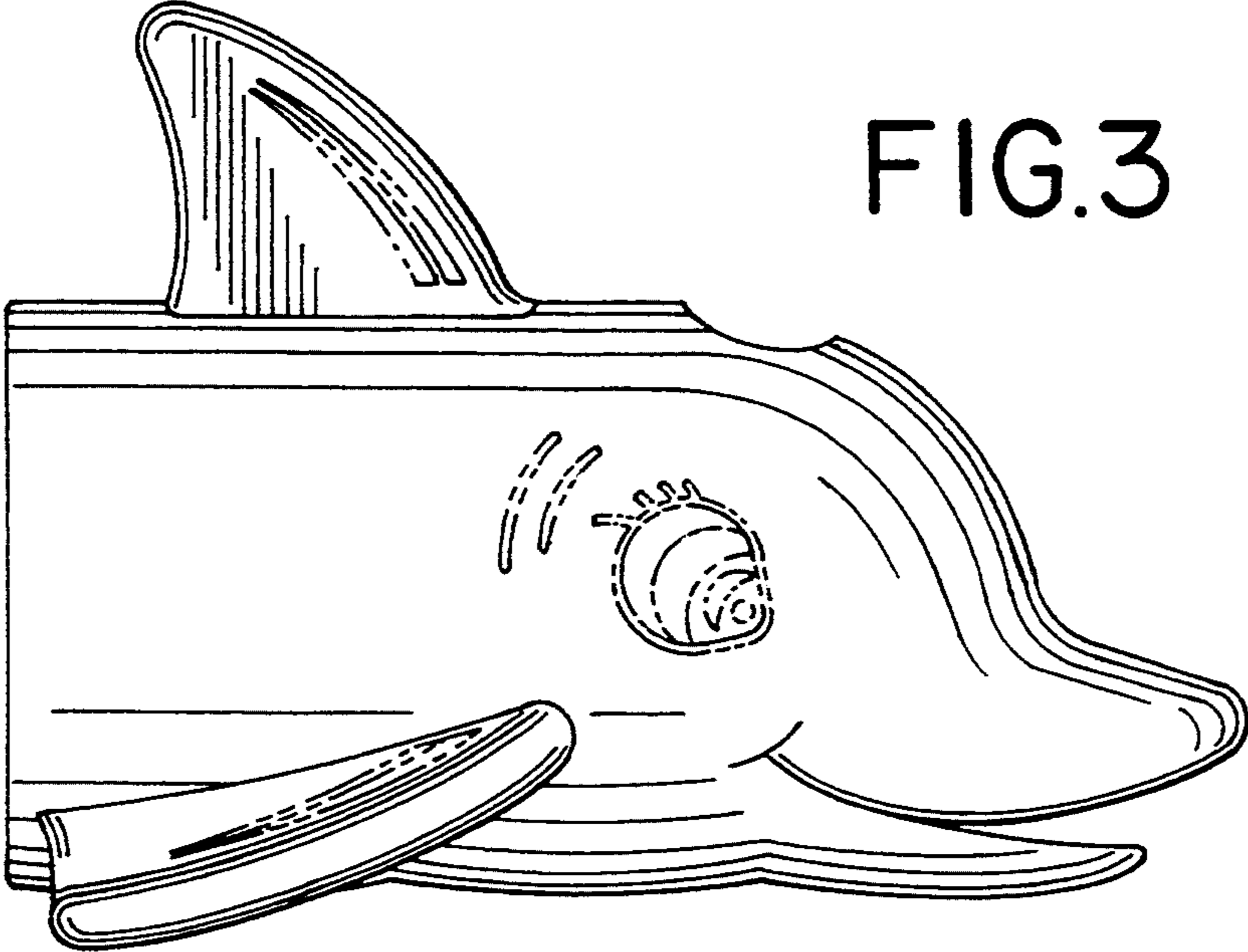


FIG.3



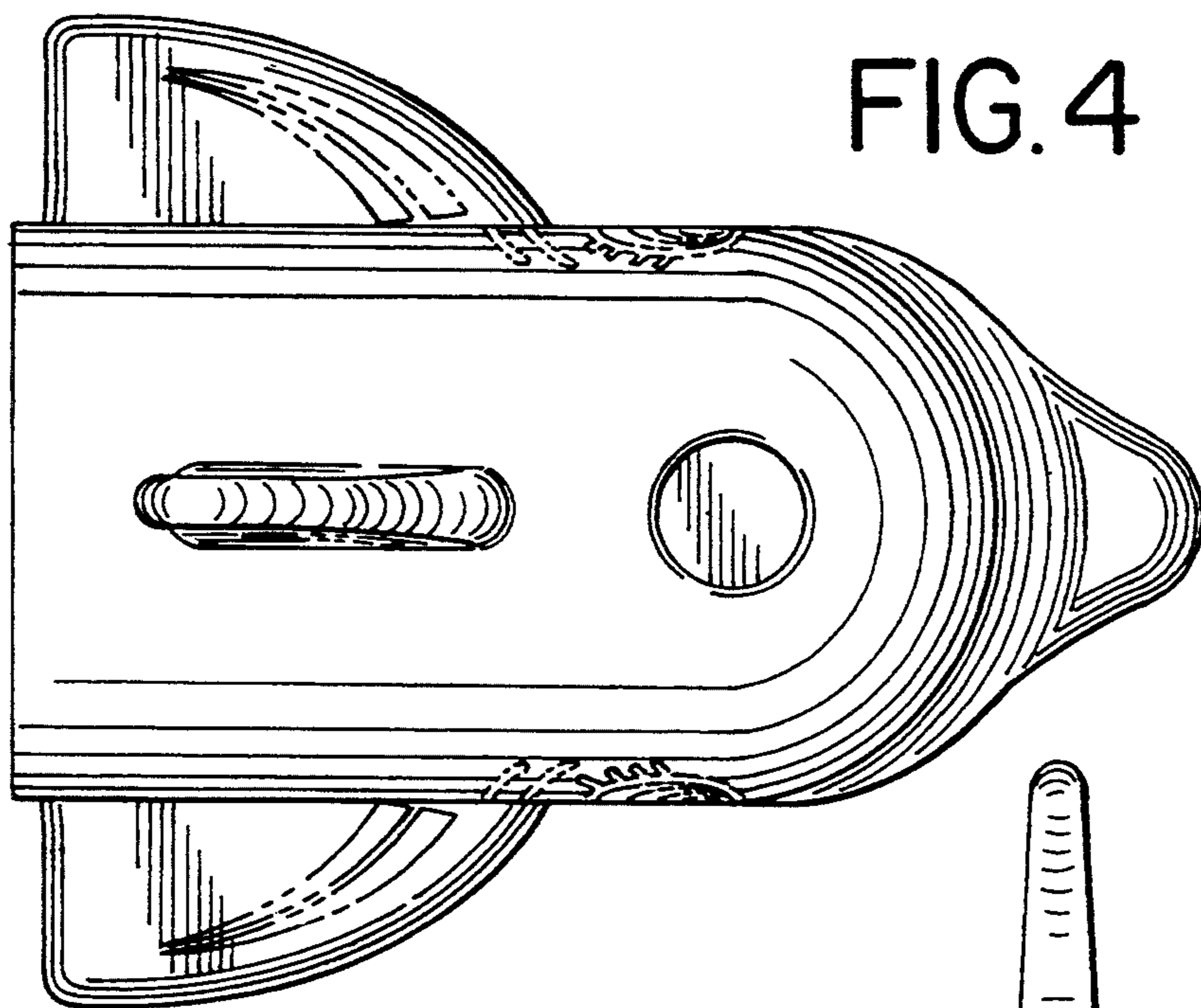


FIG. 4

FIG. 5

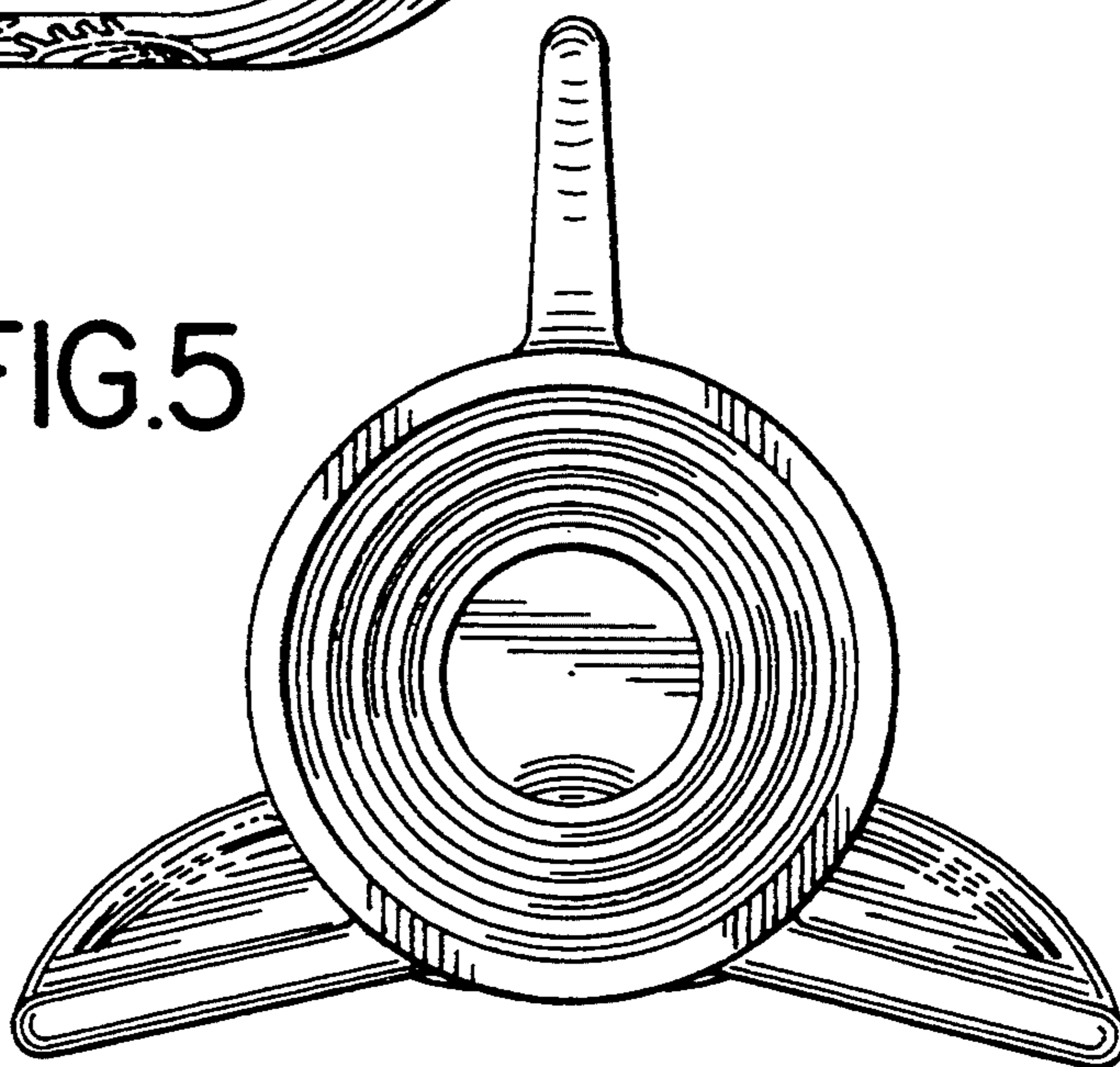


FIG. 6

