



US00D354547S

United States Patent [19]

Schops

[11] Patent Number: **Des. 354,547**

[45] Date of Patent: **** Jan. 17, 1995**

[54] **PRESSURE CONTROLLER**

[76] Inventor: **Richard Schops, Melville, N.Y.**

[**] Term: **14 Years**

[21] Appl. No.: **14,075**

[22] Filed: **Oct. 12, 1993**

[52] U.S. Cl. **D23/235**

[58] Field of Search **D23/233, 235; 91/376 R; 92/48, 49, 98 R, 99, 101; 60/547.1, 413; 303/84.1, 87; 138/30, 31; 137/1**

5,236,253 8/1993 Glasmacher 303/87

Primary Examiner—Stella Reid
Assistant Examiner—Eric Watterson
Attorney, Agent, or Firm—Amster, Rothstein & Ebenstein

[56] **References Cited**

U.S. PATENT DOCUMENTS

1,525,574 2/1925 Farmer 303/84.1
 4,475,710 10/1984 Leupers 60/413 X
 5,205,309 4/1993 Cardenas et al. .

[57] **CLAIM**

The ornamental design for a presure controller, as shown.

DESCRIPTION

FIG. 1 is a top, front end and right side isometric view of a pressure controller showing my new design; FIG. 2 is a right side elevational view thereof; FIG. 3 is a left side elevational view thereof; FIG. 4 is a top plan view thereof; and, FIG. 5 is a bottom plan view thereof.

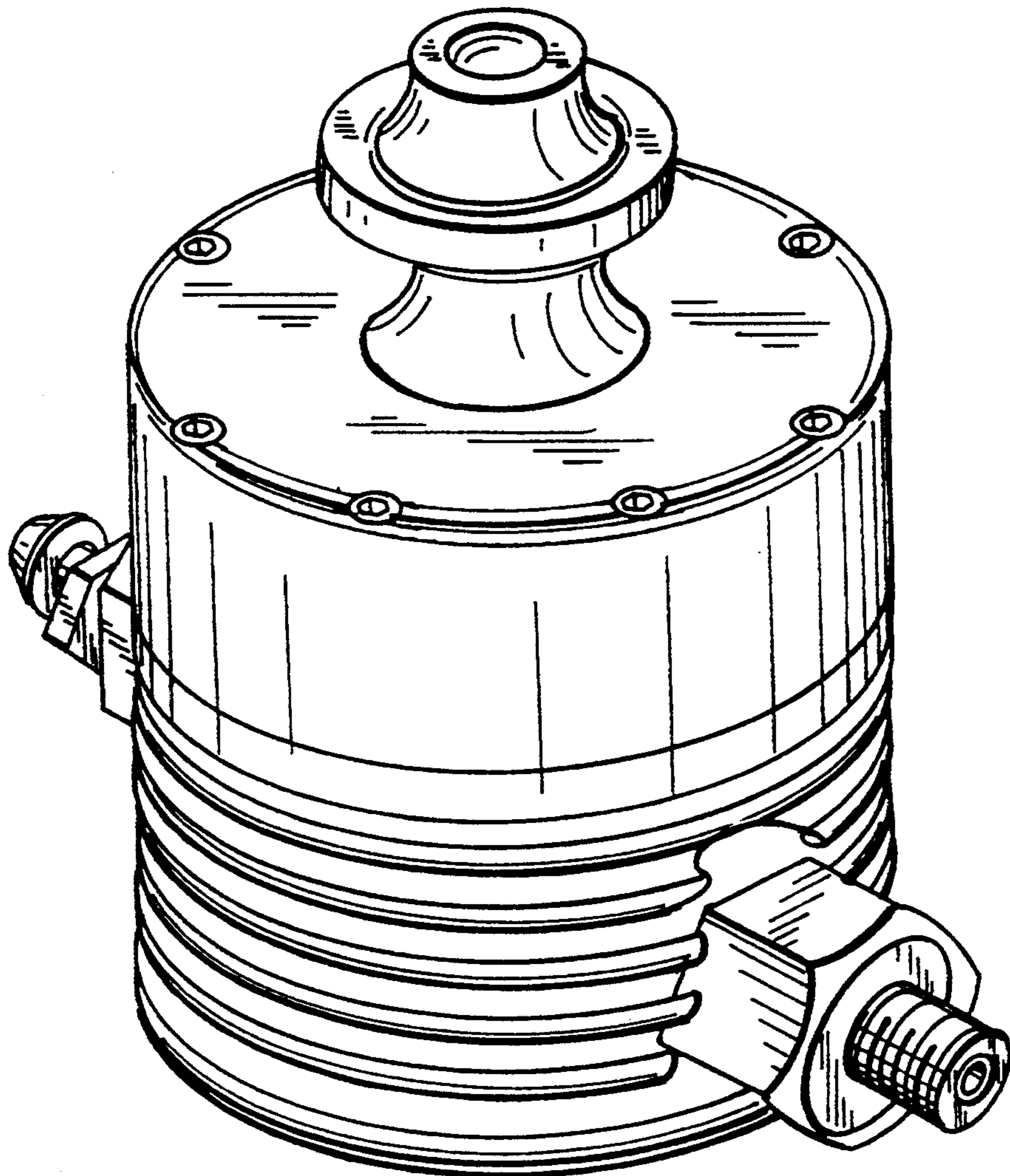
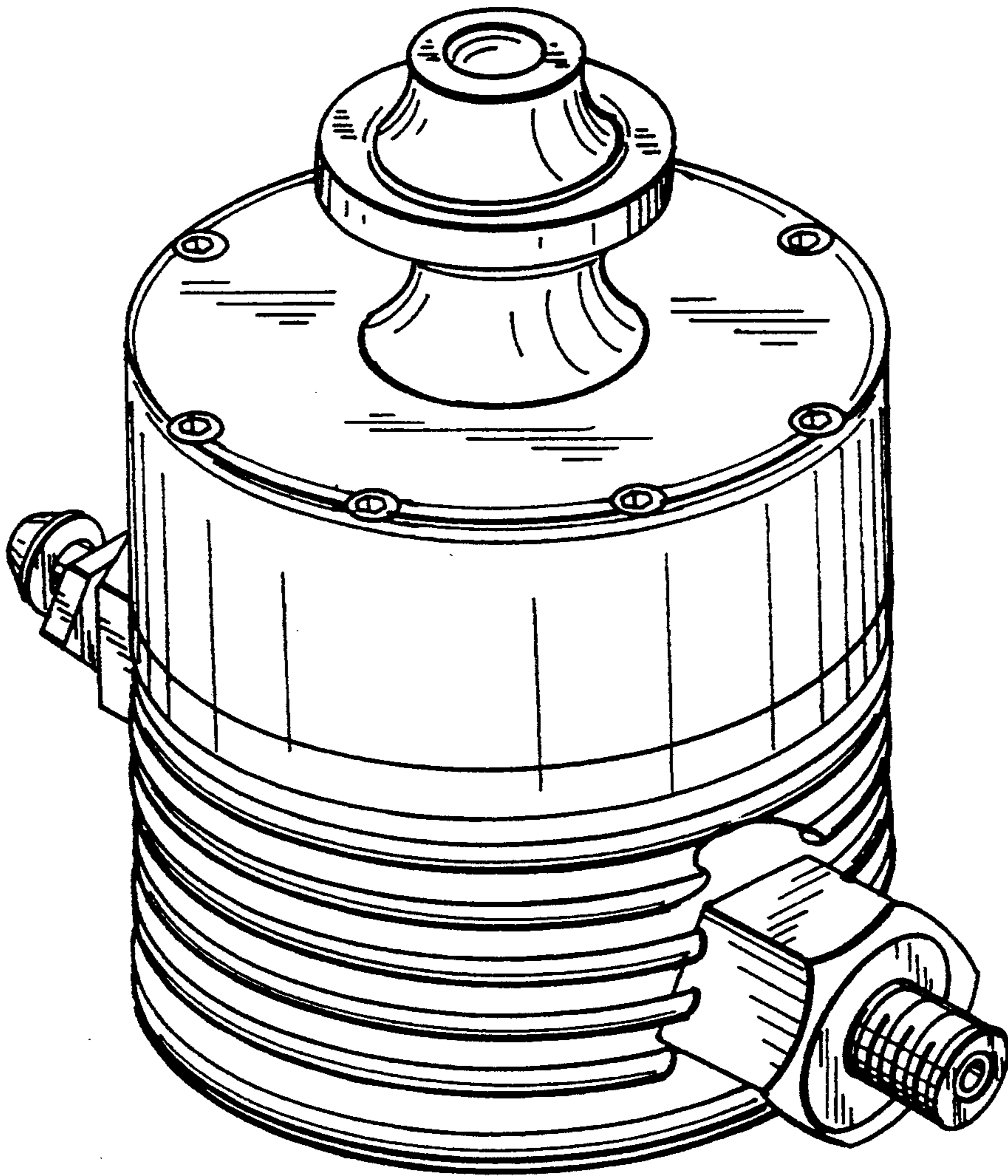


FIG. 1



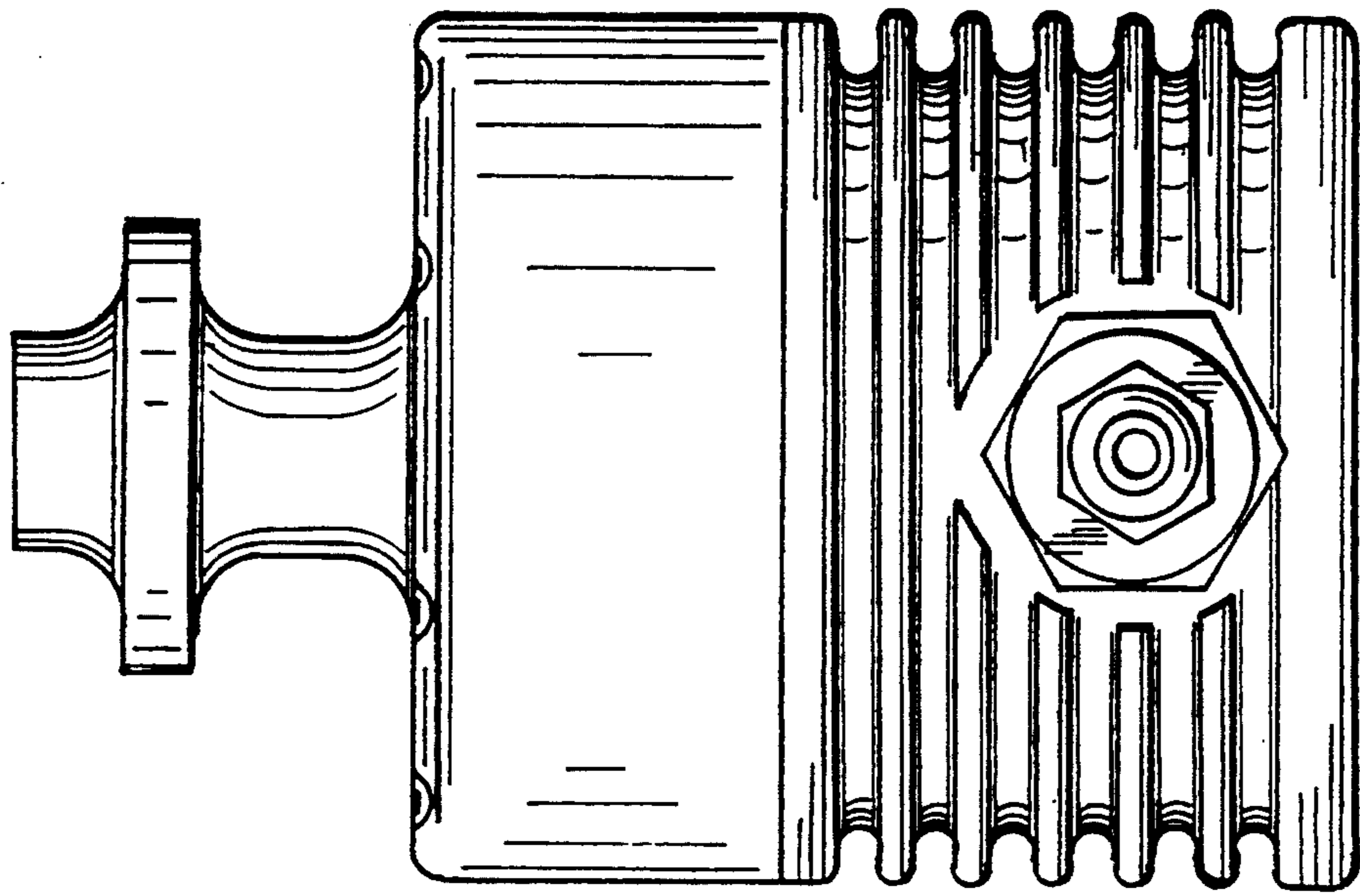


FIG. 2

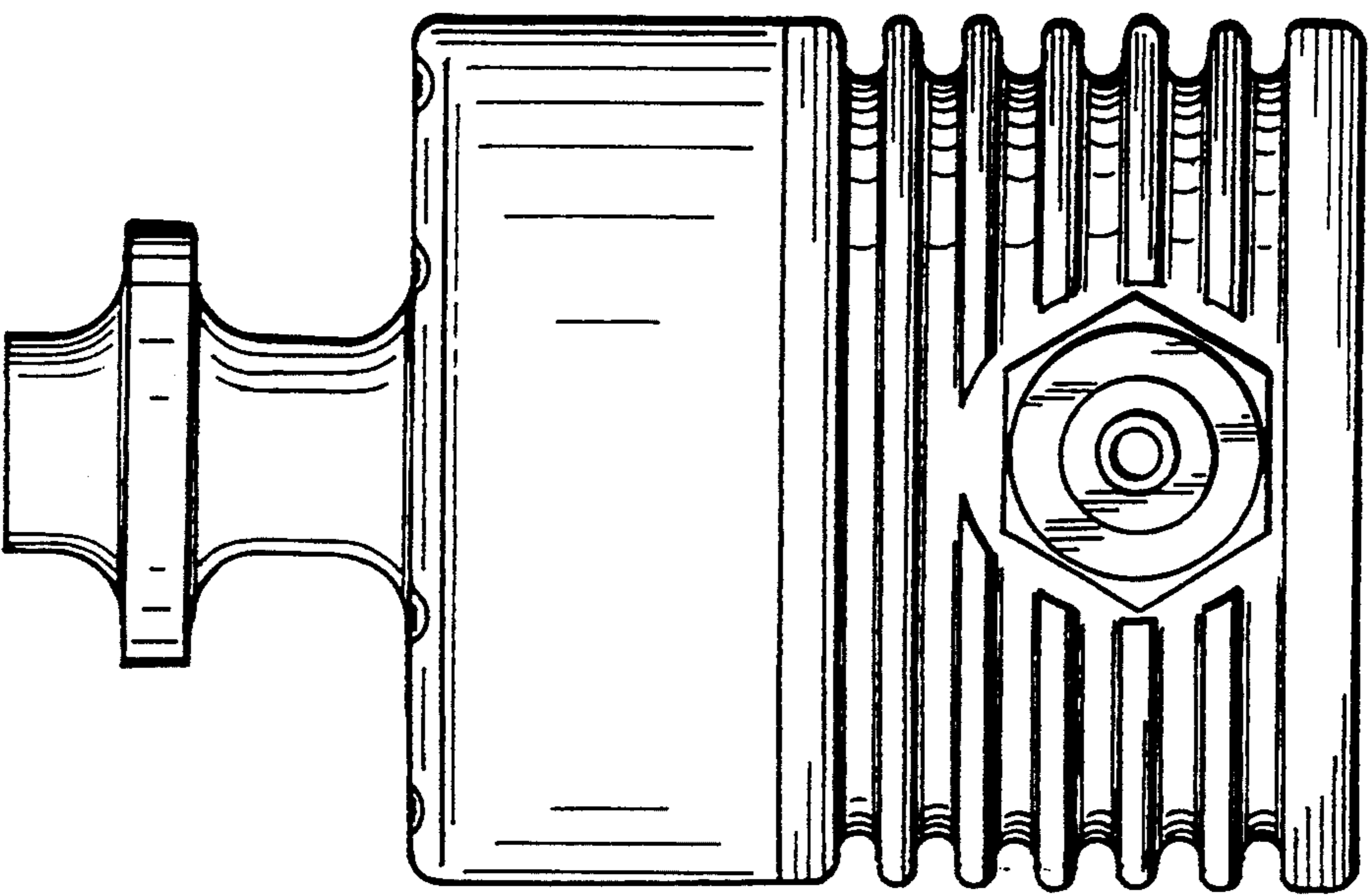


FIG. 3

FIG. 4

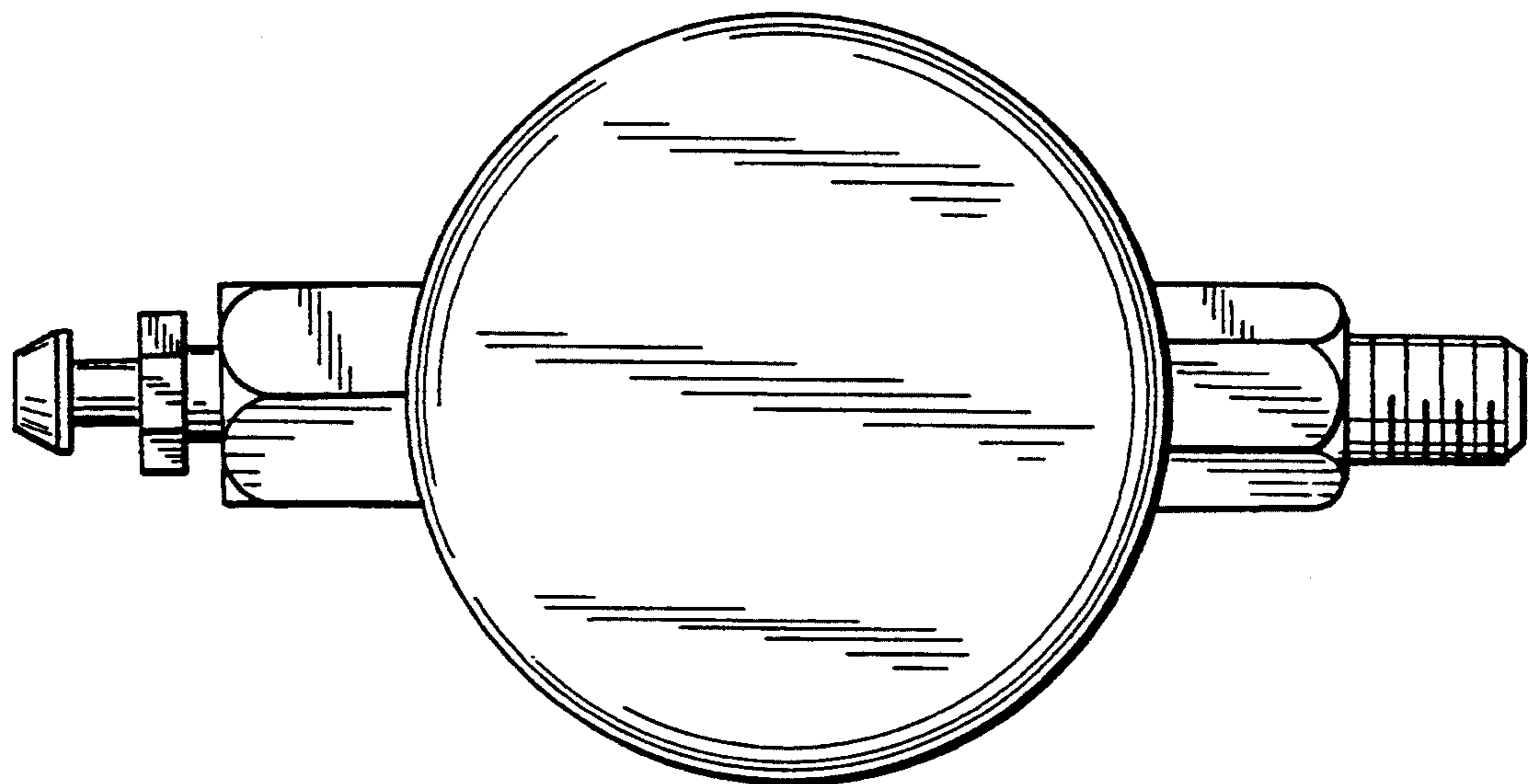
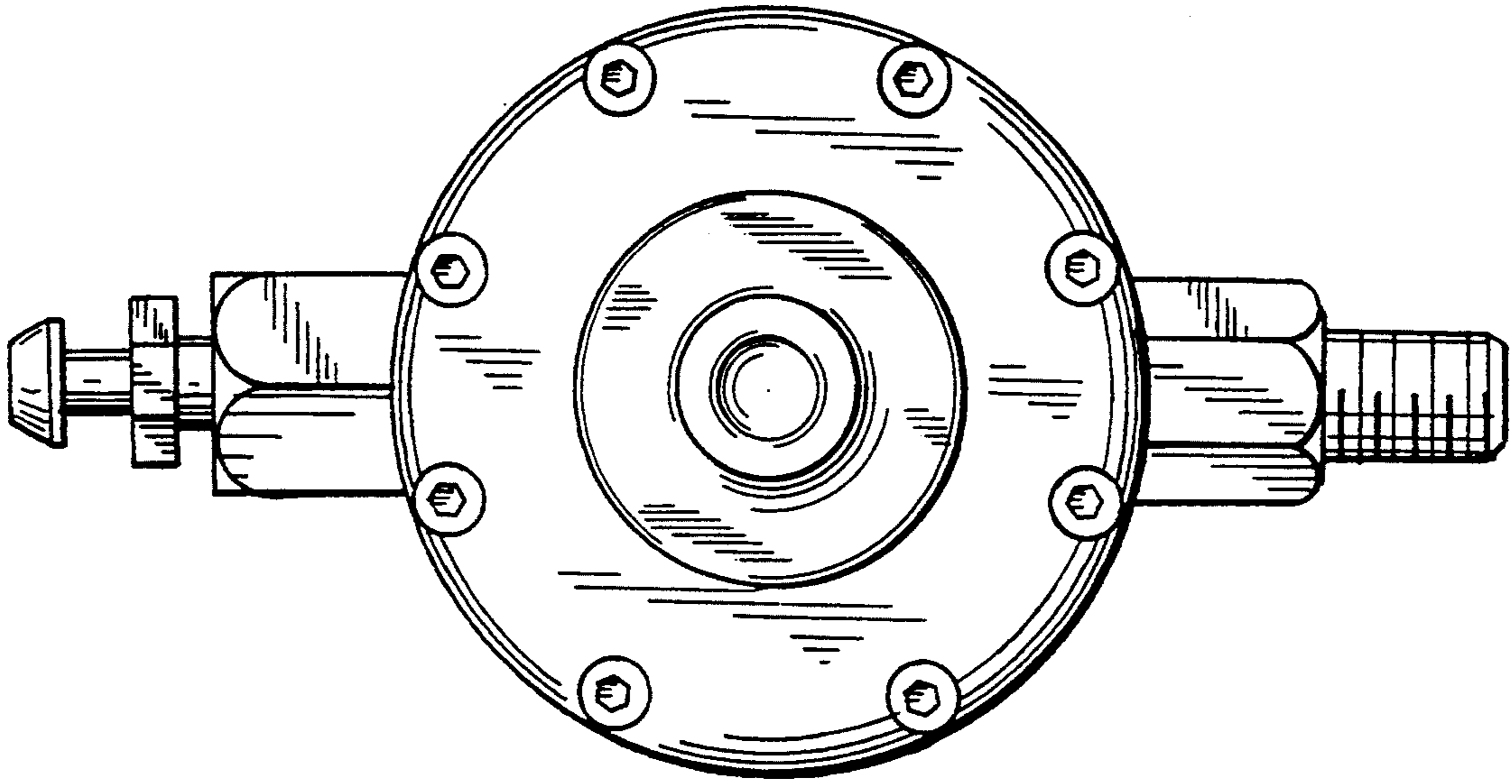


FIG. 5