



US00D354546S

# United States Patent [19]

[11] Patent Number: Des. 354,546

Clivio

[45] Date of Patent: \*\* Jan. 17, 1995

## [54] WATER DISTRIBUTION CONTROL UNIT

[75] Inventor: Franco Clivio, Erlenbach, Switzerland

[73] Assignee: Gardena Kress + Kastner GmbH, Germany

[\*\*] Term: 14 Years

[21] Appl. No.: 17,165

[22] Filed: Jan. 6, 1994

### [30] Foreign Application Priority Data

Jul. 6, 1993 [DE] Germany ..... 9305346

[52] U.S. Cl. .... D23/246; D23/213

[58] Field of Search ..... D23/213-219, D23/245, 246, 235; 239/237-242, 248, 222.11-222.24, 225.1, 456, 230-233, 443-449, DIG. 1

### [56] References Cited

#### U.S. PATENT DOCUMENTS

D. 309,175 7/1990 Hastings ..... D23/245

1,080,594 12/1913 Schuller ..... D23/213

## OTHER PUBLICATIONS

Gardena—Gale Catalog, p. 30, 1992.

*Primary Examiner*—Wallace R. Burke

*Assistant Examiner*—Robin V. Taylor

*Attorney, Agent, or Firm*—Quarles & Brady

## [57] CLAIM

The ornamental design for a water distribution control unit, as shown and described.

## DESCRIPTION

FIG. 1 is a side perspective view of a water distribution control unit with hose connectors and seal members showing my new design;

FIG. 2 is a top plan view thereof;

FIG. 3 is a side elevation view thereof;

FIG. 4 is a front elevation view thereof;

FIG. 5 is a rear elevation view thereof;

FIG. 6 is an opposite side elevation view thereof;

FIG. 7 is a bottom plan view thereof; and,

FIG. 8 is a side perspective view with the hose connectors and seal members omitted for clarity of illustration only.

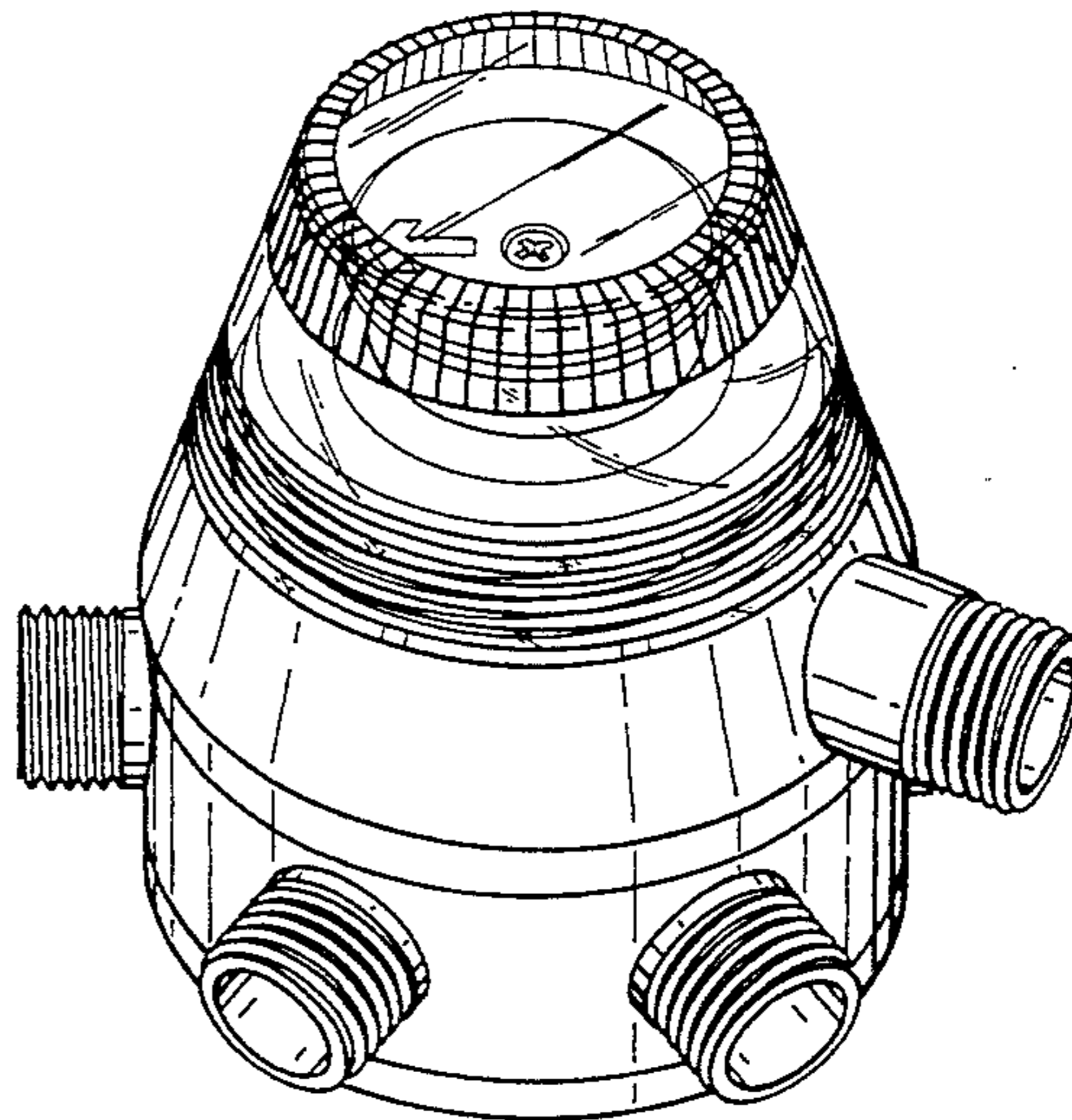
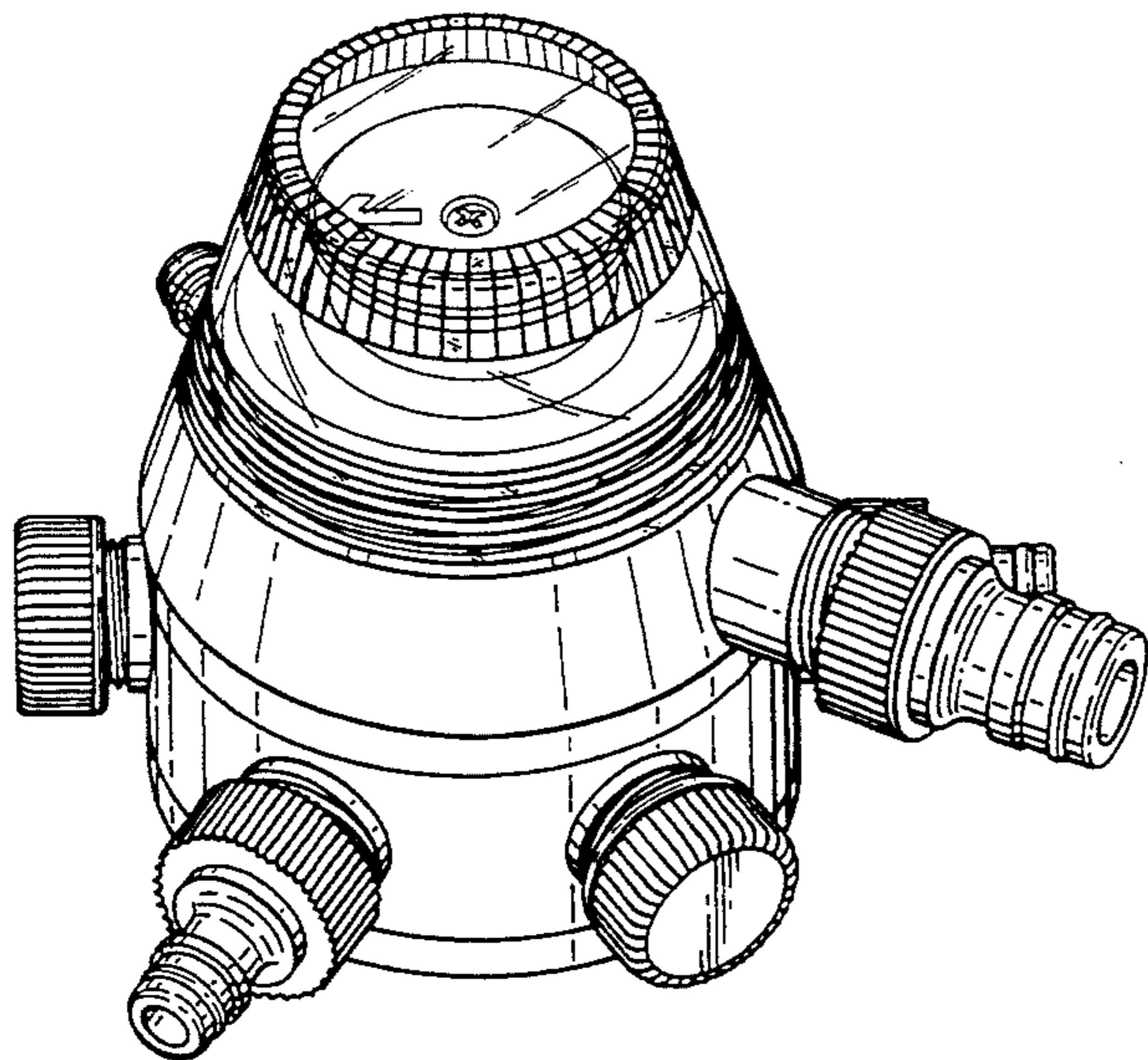
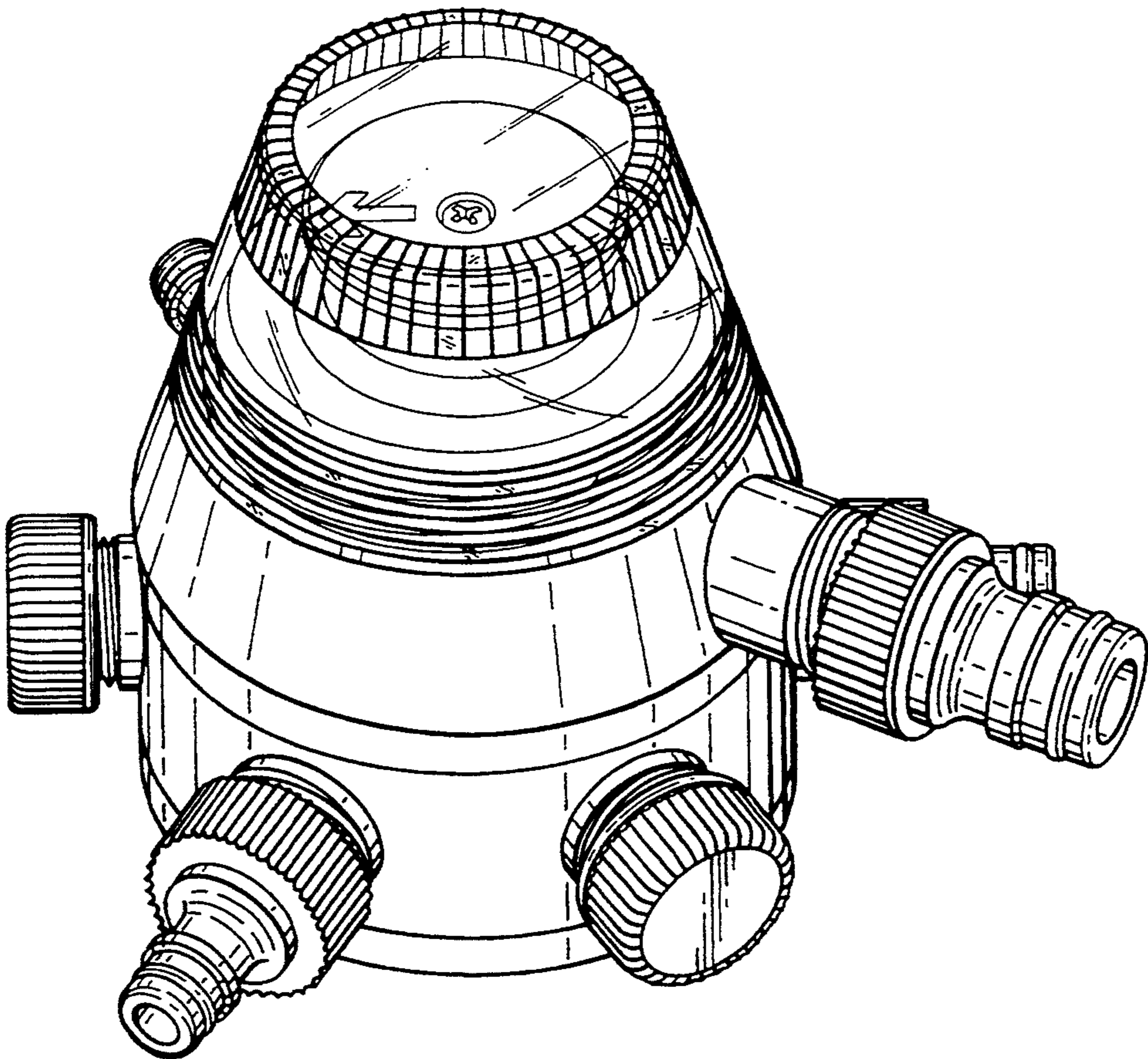


Fig. 1





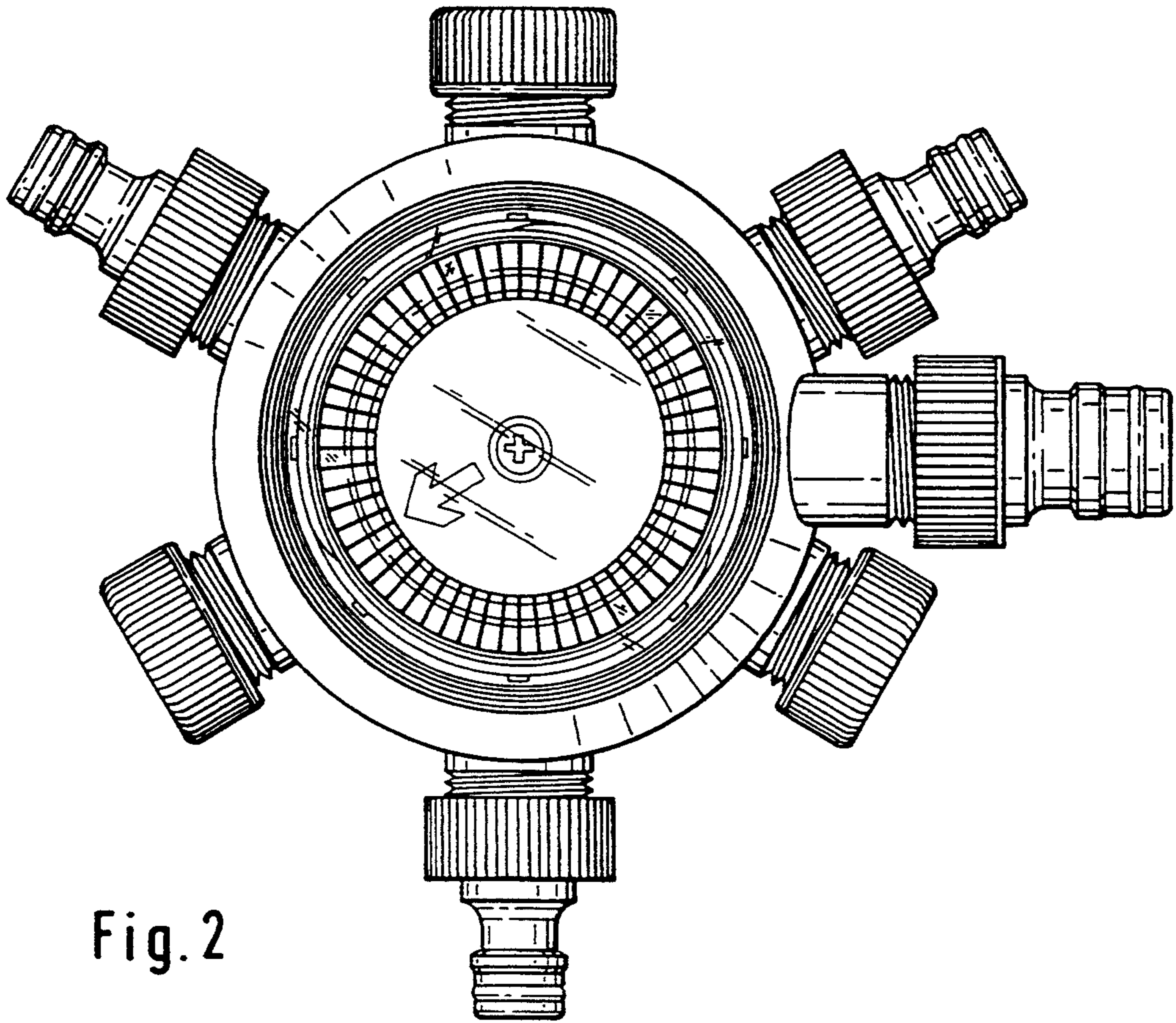


Fig. 2

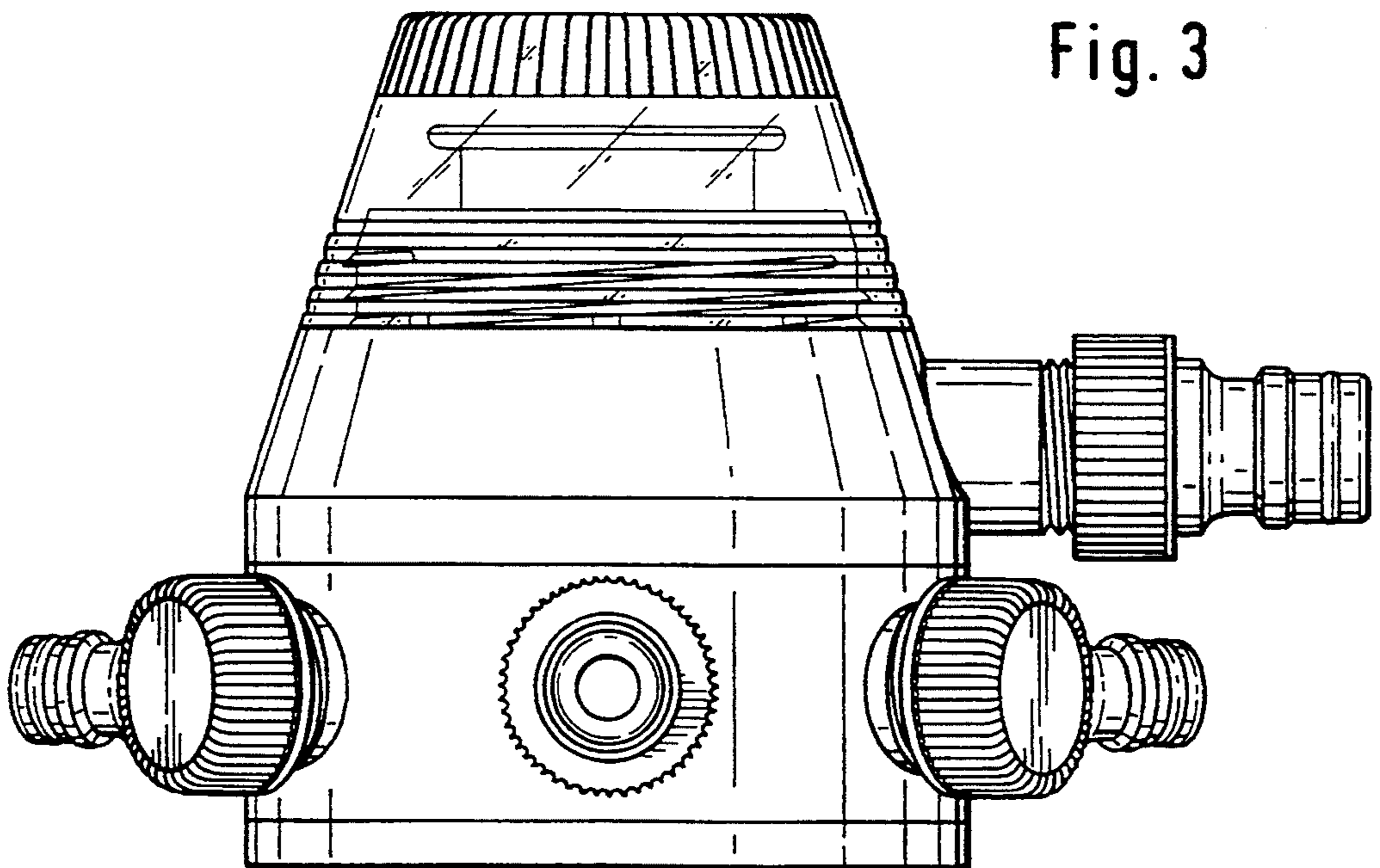


Fig. 3

Fig. 4

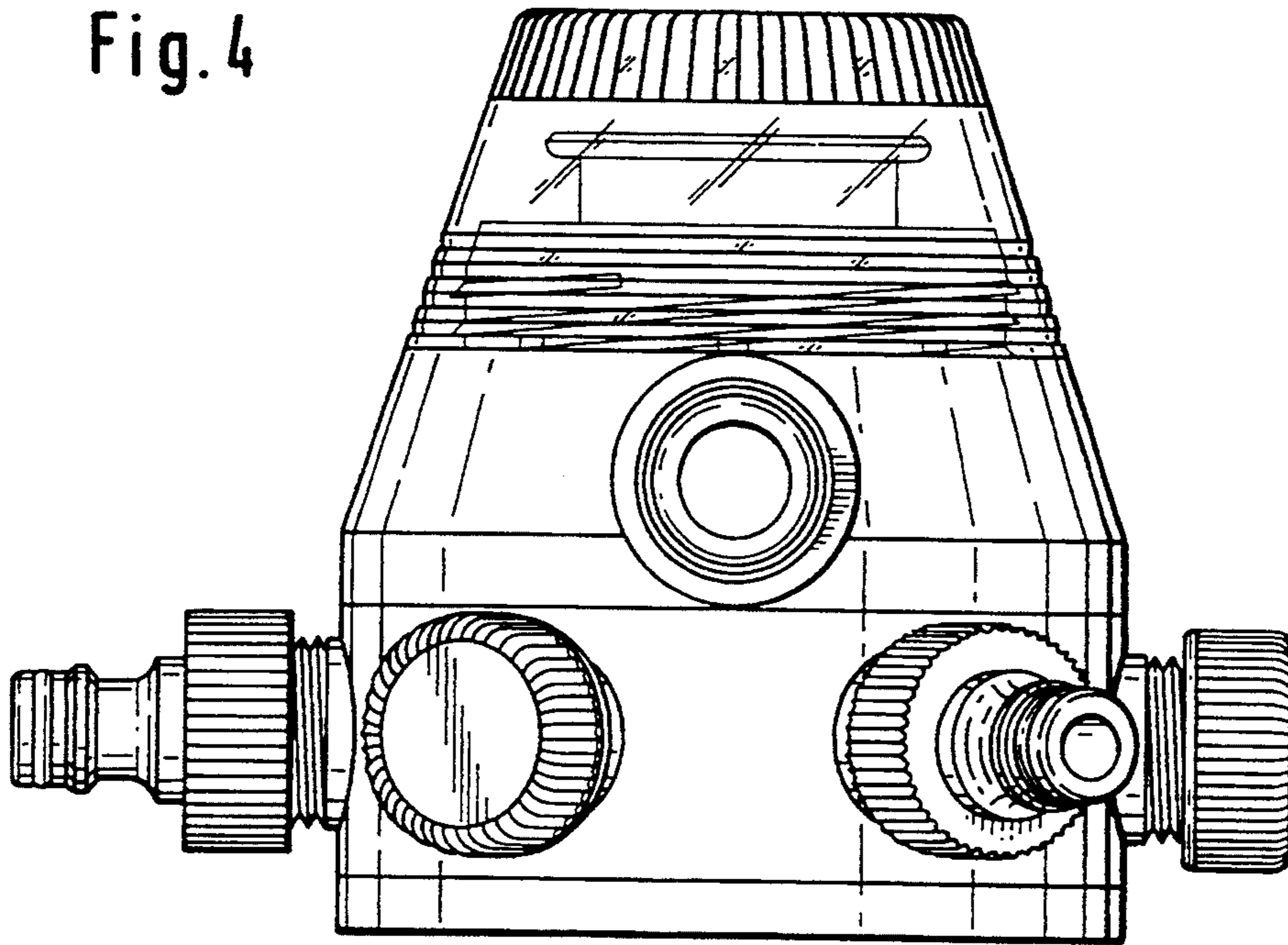


Fig. 5

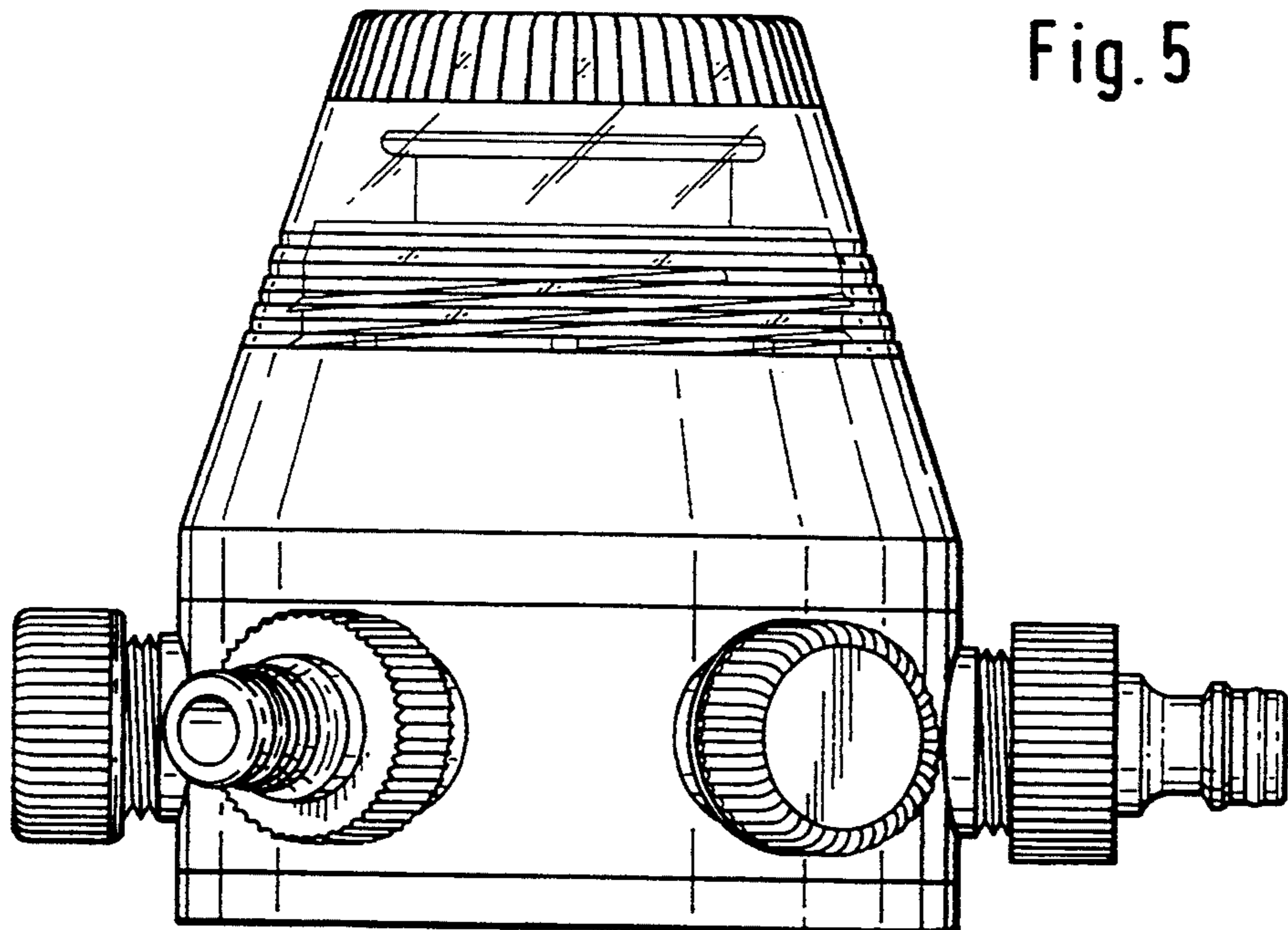




Fig. 6

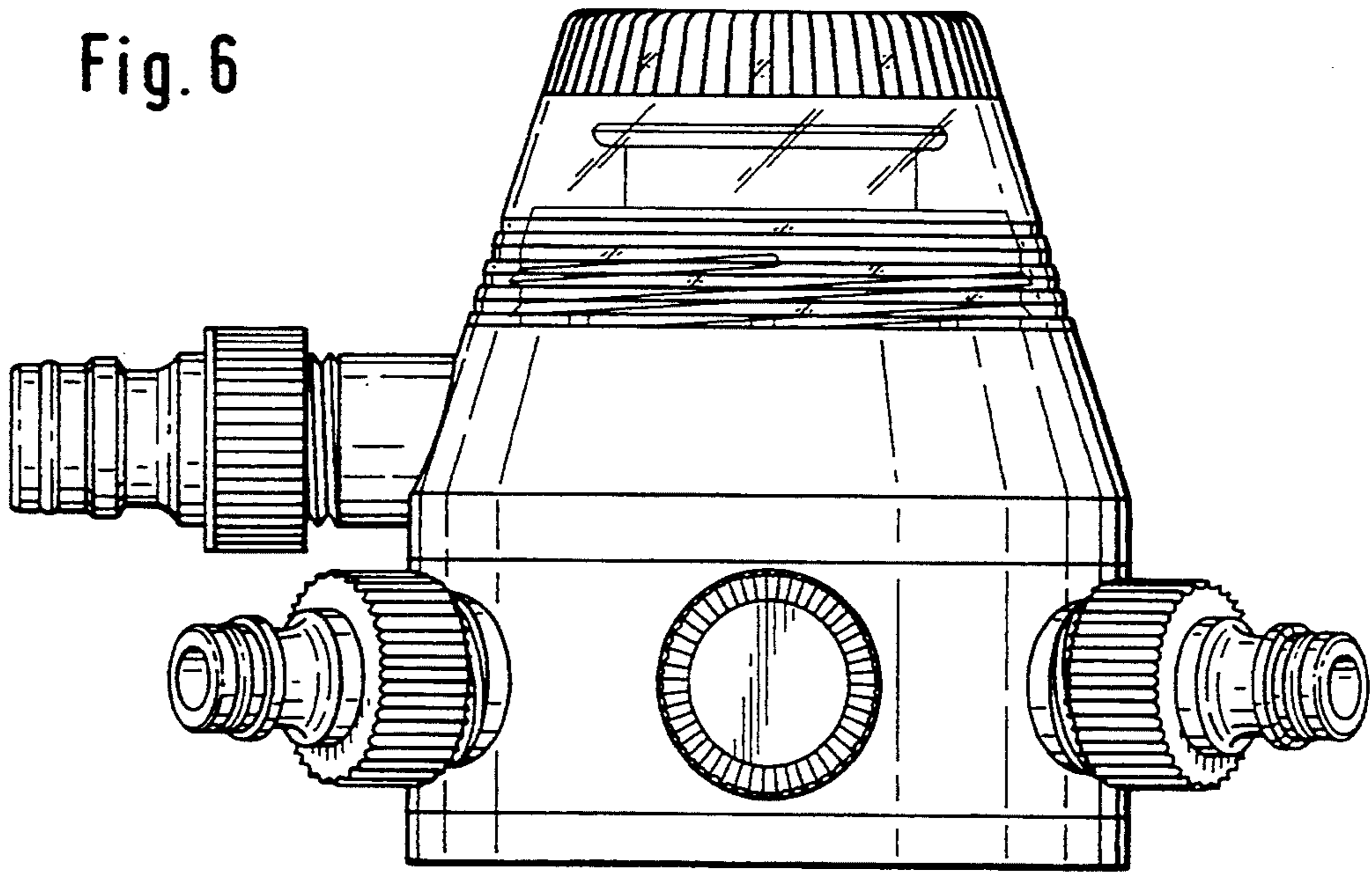


Fig. 7

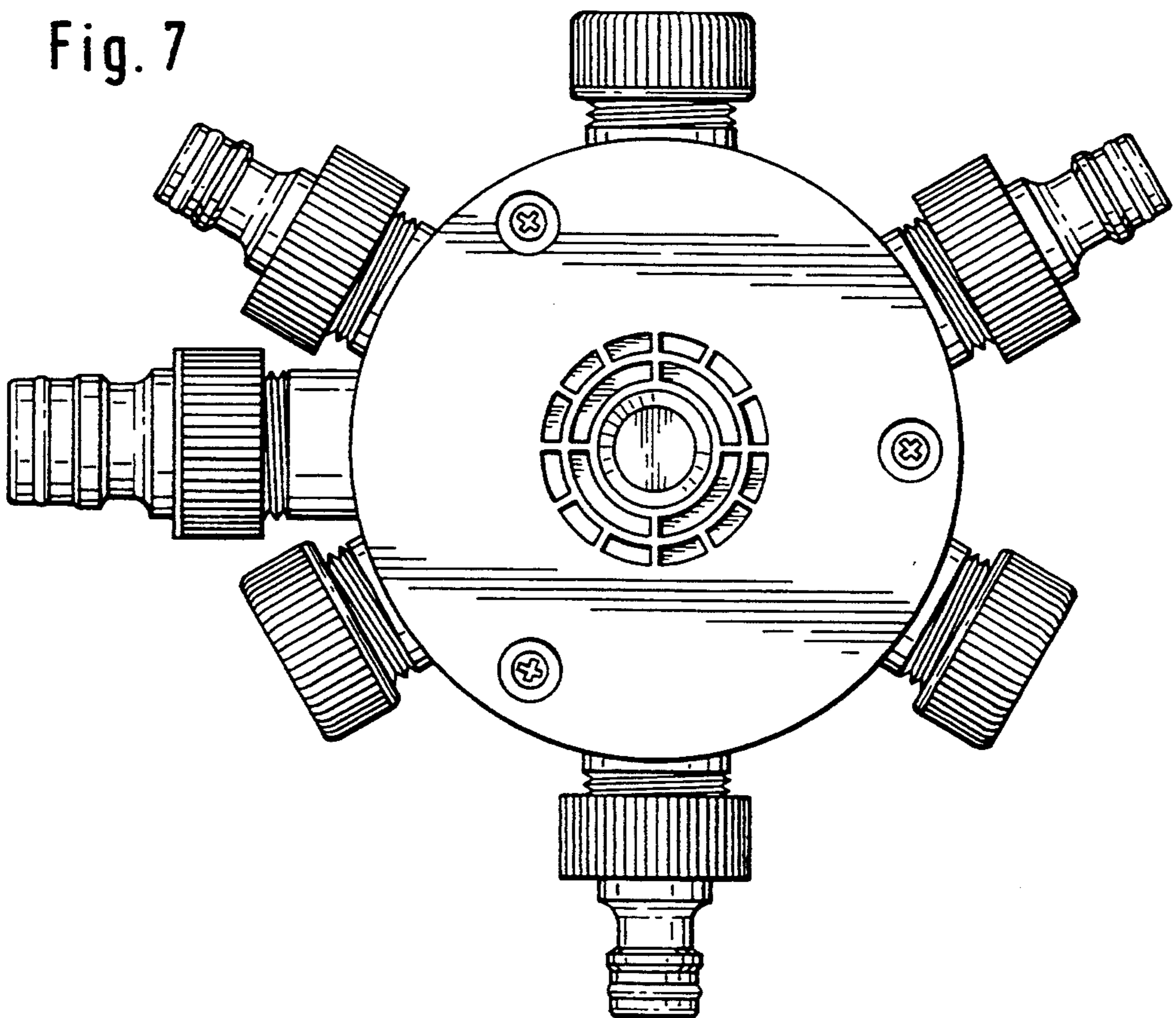


Fig. 8

