



US00D354545S

United States Patent [19]
Haruch

[11] **Patent Number: Des. 354,545**
[45] **Date of Patent: ** Jan. 17, 1995**

[54] **LIQUID SPRAY NOZZLE FOR AGRICULTURAL SPRAYERS**
[75] **Inventor: James Haruch, Naperville, Ill.**
[73] **Assignee: Spraying Systems Co., Wheaton, Ill.**
[**] **Term: 14 Years**
[21] **Appl. No.: 17,303**
[22] **Filed: Jan. 10, 1994**
[52] **U.S. Cl. D23/213**
[58] **Field of Search D23/213-229; 239/289, 396, 590.3, 590.5, 600**

3,806,031 4/1974 Olson 239/288.3

Primary Examiner—Wallace R. Burke
Assistant Examiner—Robin V. Taylor
Attorney, Agent, or Firm—Leydig, Voit & Mayer, Ltd.

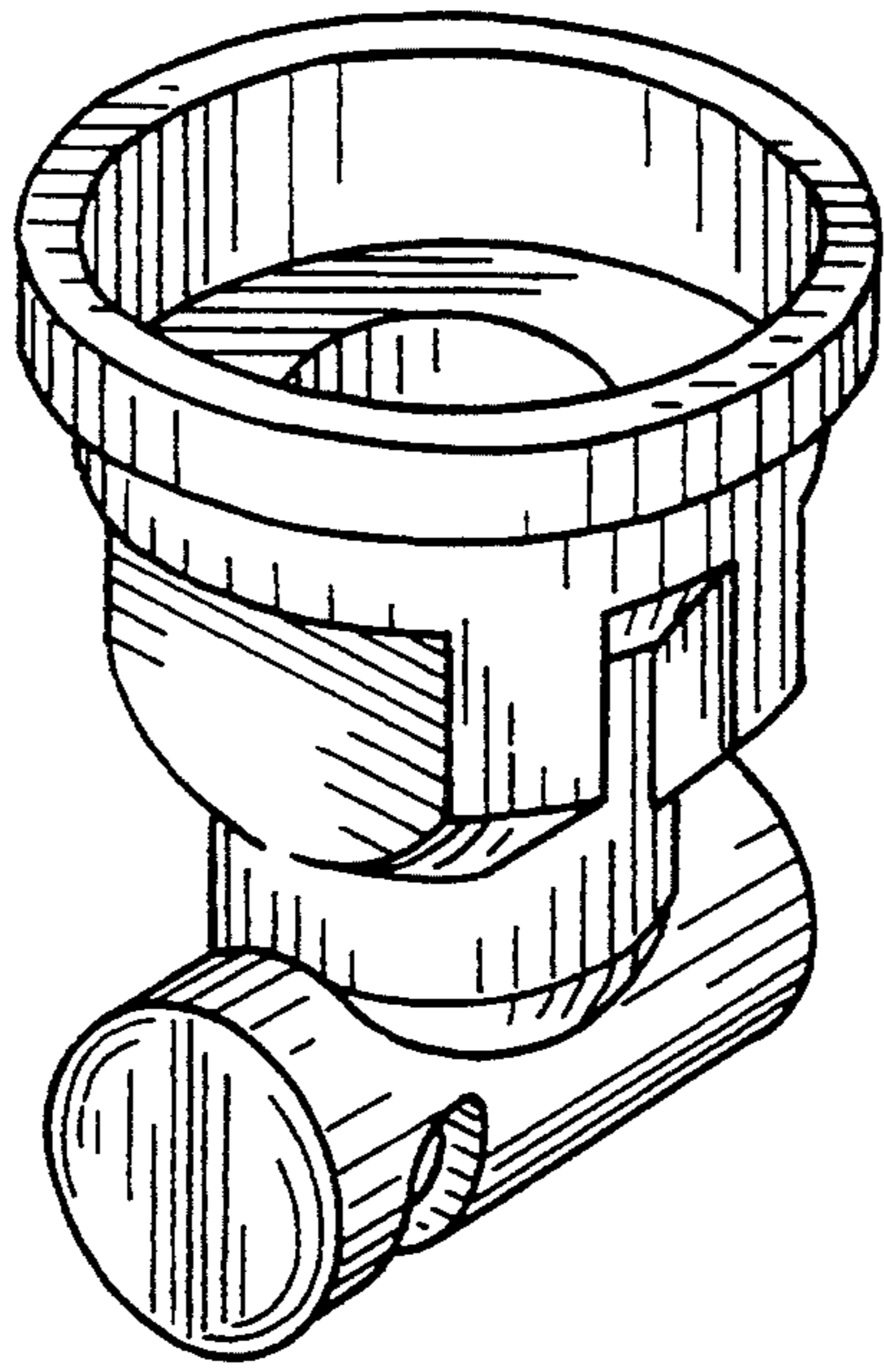
[57] **CLAIM**

The design of a liquid spray nozzle for agricultural sprayers.

DESCRIPTION

FIG. 1 is a perspective of a liquid spray nozzle for agricultural sprayers embodying the design of the present invention;
FIG. 2 is a right side elevational view thereof;
FIG. 3 is a front elevational view thereof, the rear elevational view thereof being a mirror image;
FIG. 4 is a top plan view thereof; and,
FIG. 5 is a bottom plan view.

[56] **References Cited**
U.S. PATENT DOCUMENTS
D. 31,408 8/1899 Allier D23/213
D. 293,929 1/1988 Verhees D23/213



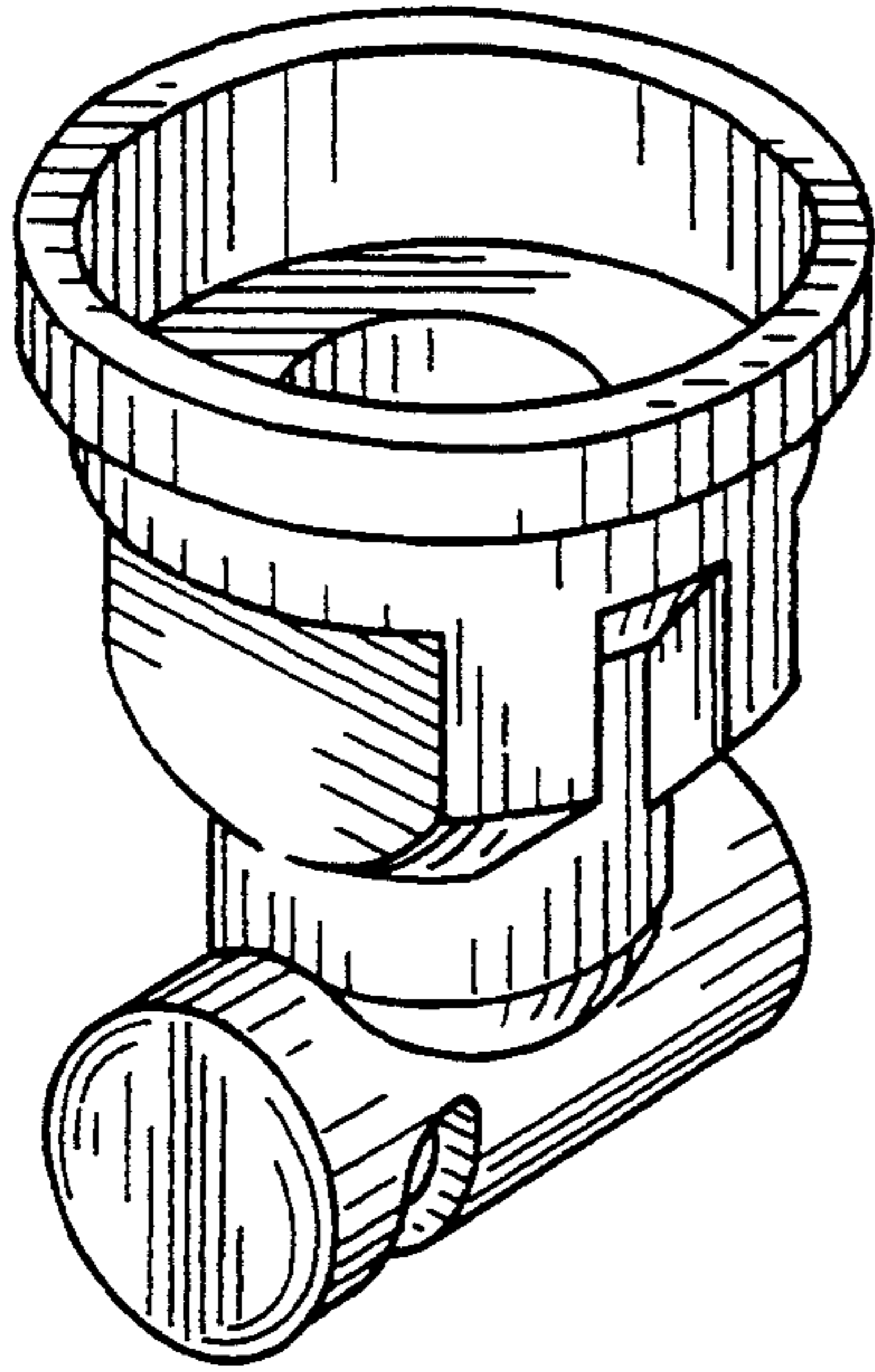


FIG. 1

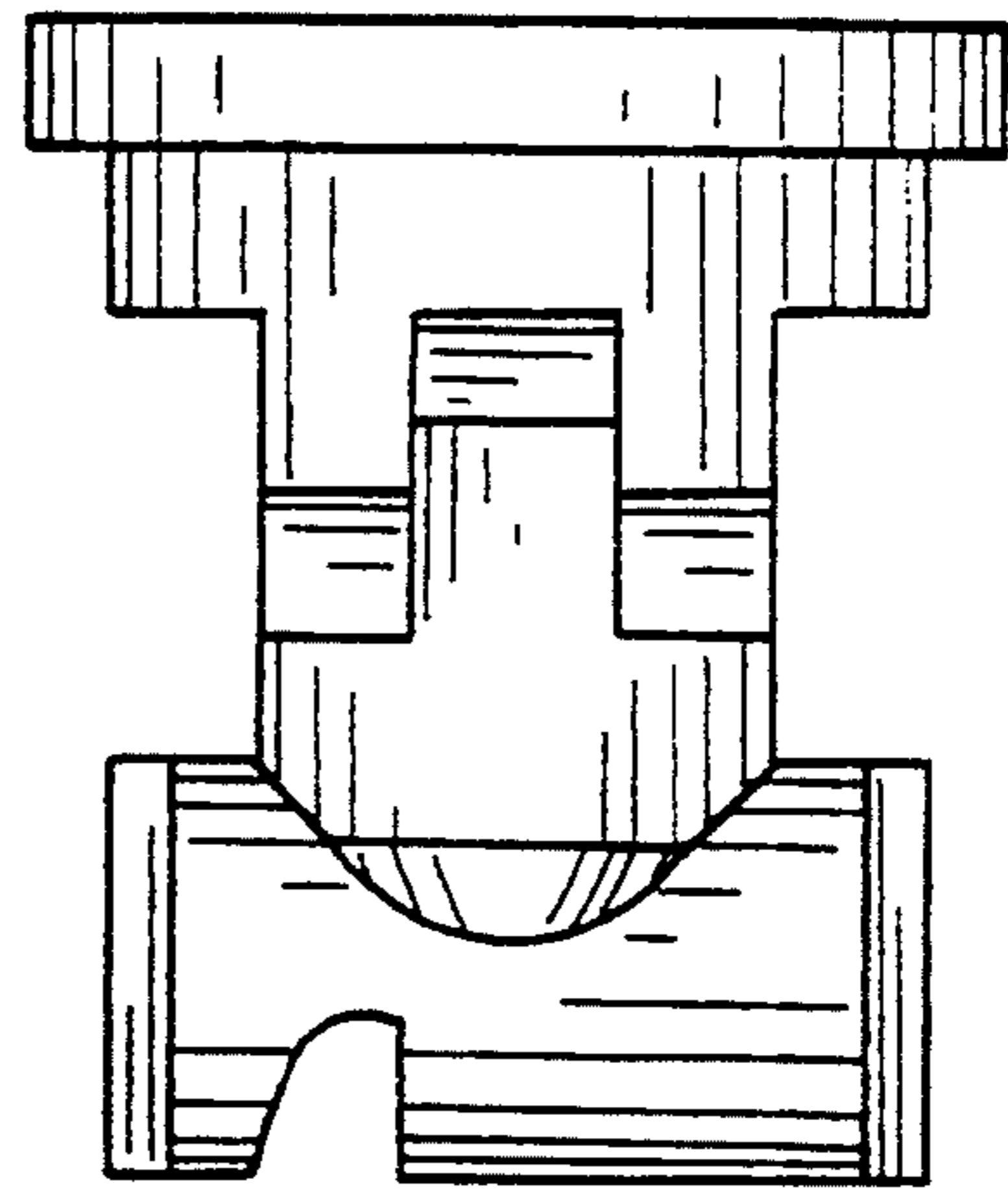


FIG. 2

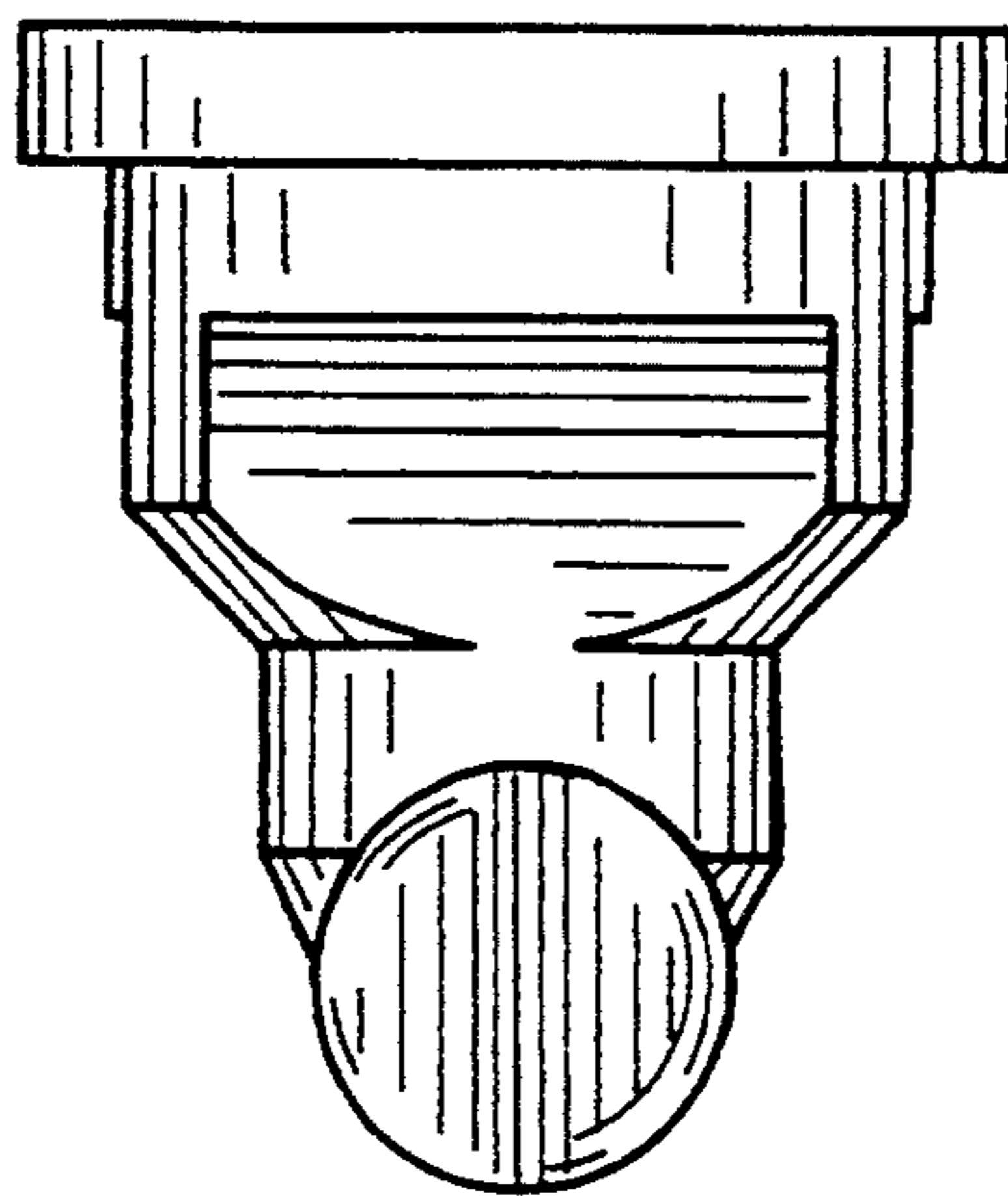


FIG. 3

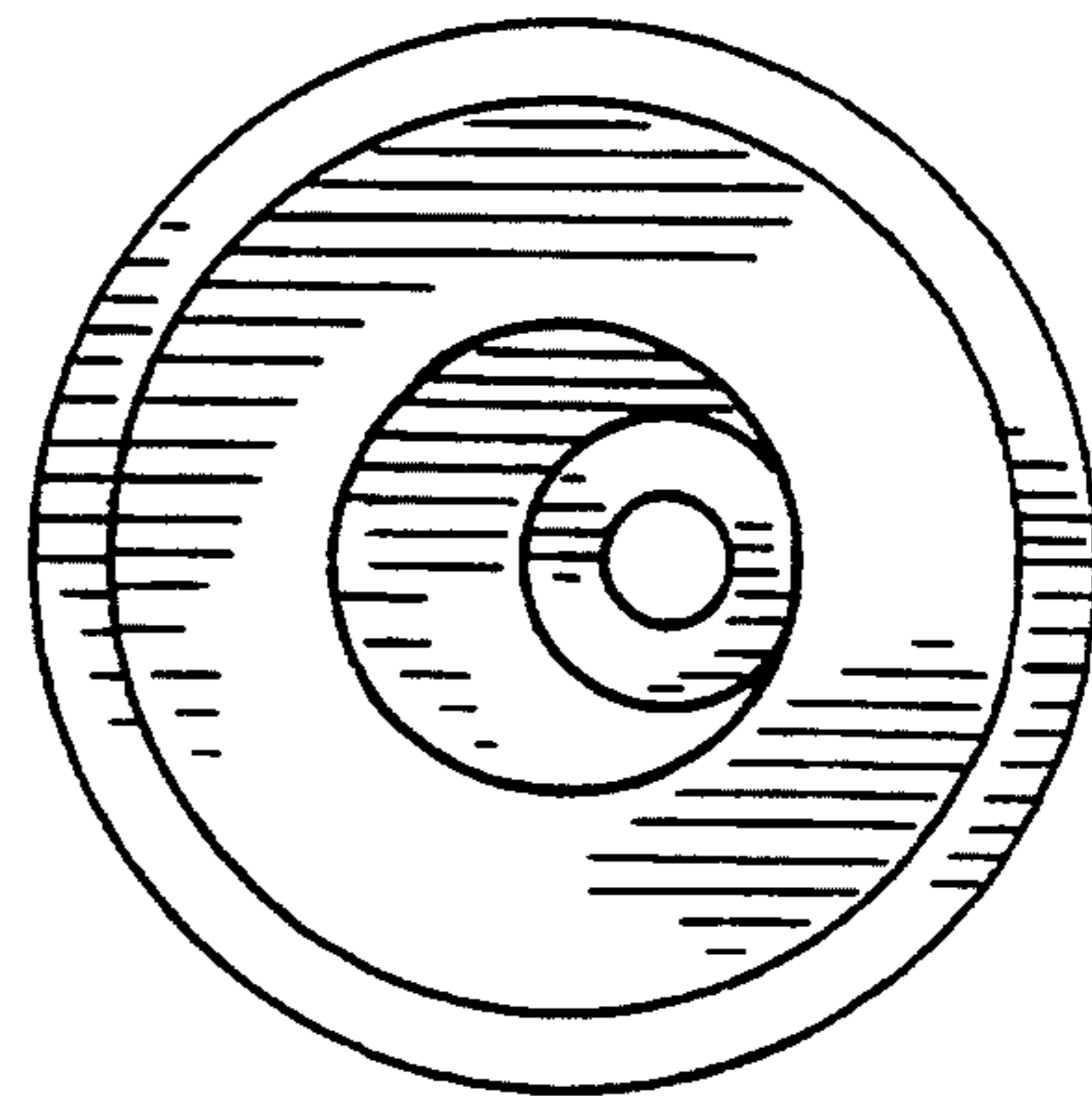


FIG. 4

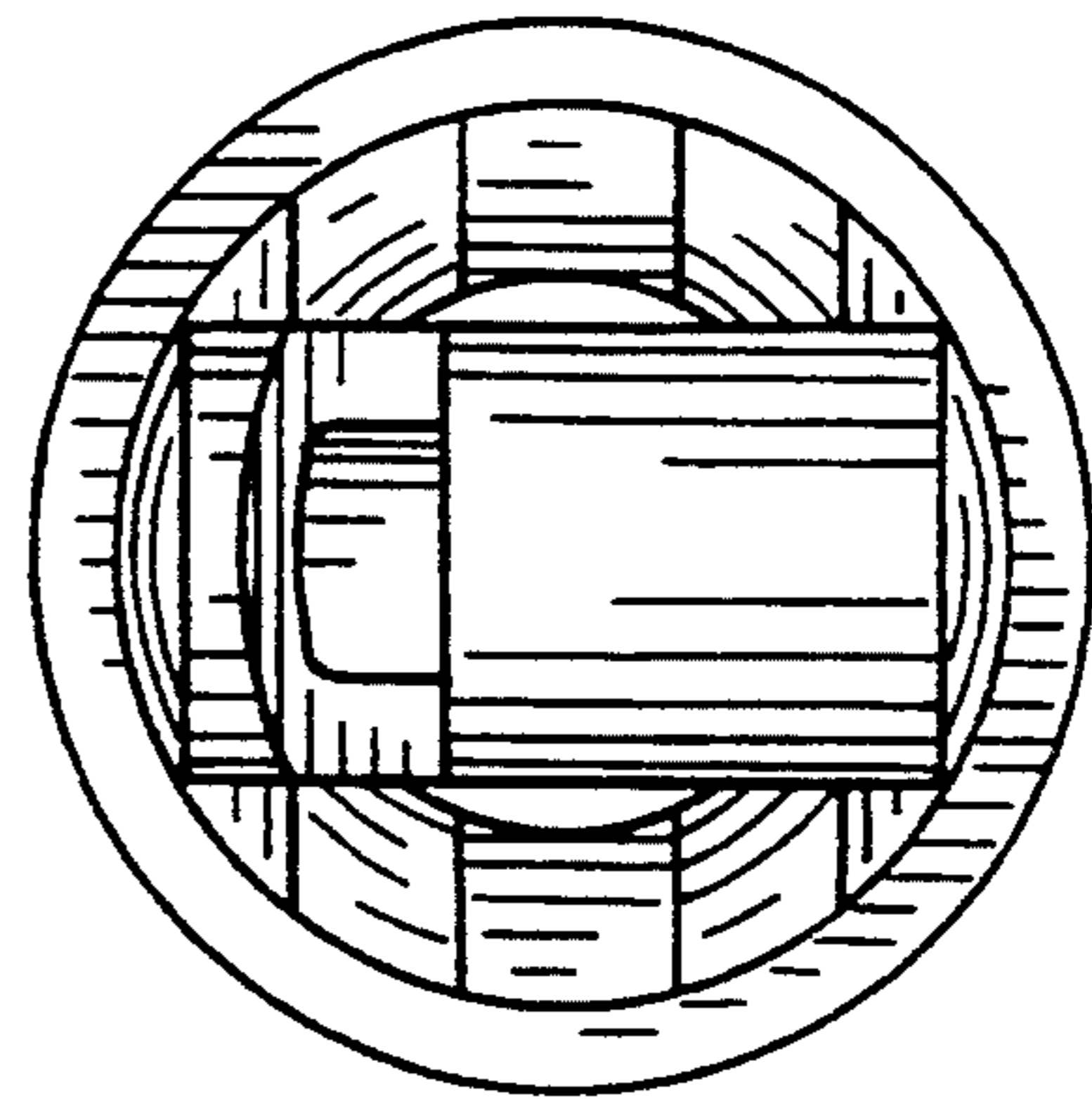


FIG. 5