



US00D354542S

United States Patent [19]

[11] Patent Number: **Des. 354,542**

Prince et al.

[45] Date of Patent: **** Jan. 17, 1995**

[54] FISH HOLDER

[76] Inventors: **Dorris W. Prince**, 14811 Sylvia Dr., Brookpark, Ohio 44142; **Norman D. Burgner**, 3191 Vanderhoof Rd., Clinton, Ohio 44126

[**] Term: **14 Years**

[21] Appl. No.: **12,055**

[22] Filed: **Aug. 23, 1993**

[52] U.S. Cl. **D22/134; D22/149**

[58] Field of Search **D22/134, 149; 30/294; 43/4, 5, 53.5; D7/686; D8/373; 452/185, 196; 294/26, 158, 103**

2,539,496	1/1951	Towey	224/103
2,592,389	4/1952	Budy	224/103
2,834,041	5/1958	Miron	452/185
2,882,084	4/1959	Eatinged	294/26
2,891,275	6/1959	Schuls	452/196 X
2,932,849	4/1960	Missman	452/196
3,447,200	6/1969	Madre	452/196
4,313,549	2/1982	Nelson	224/103
4,598,492	7/1986	Stanfield	43/5
5,114,058	5/1992	Davis	224/103
5,127,162	7/1992	Mansfield	30/294
5,339,555	8/1994	Miskimins	D22/149 X

Primary Examiner—A. Hugo Word
Assistant Examiner—Doris V. Coles
Attorney, Agent, or Firm—Albert E. Chow

[56] **References Cited**

U.S. PATENT DOCUMENTS

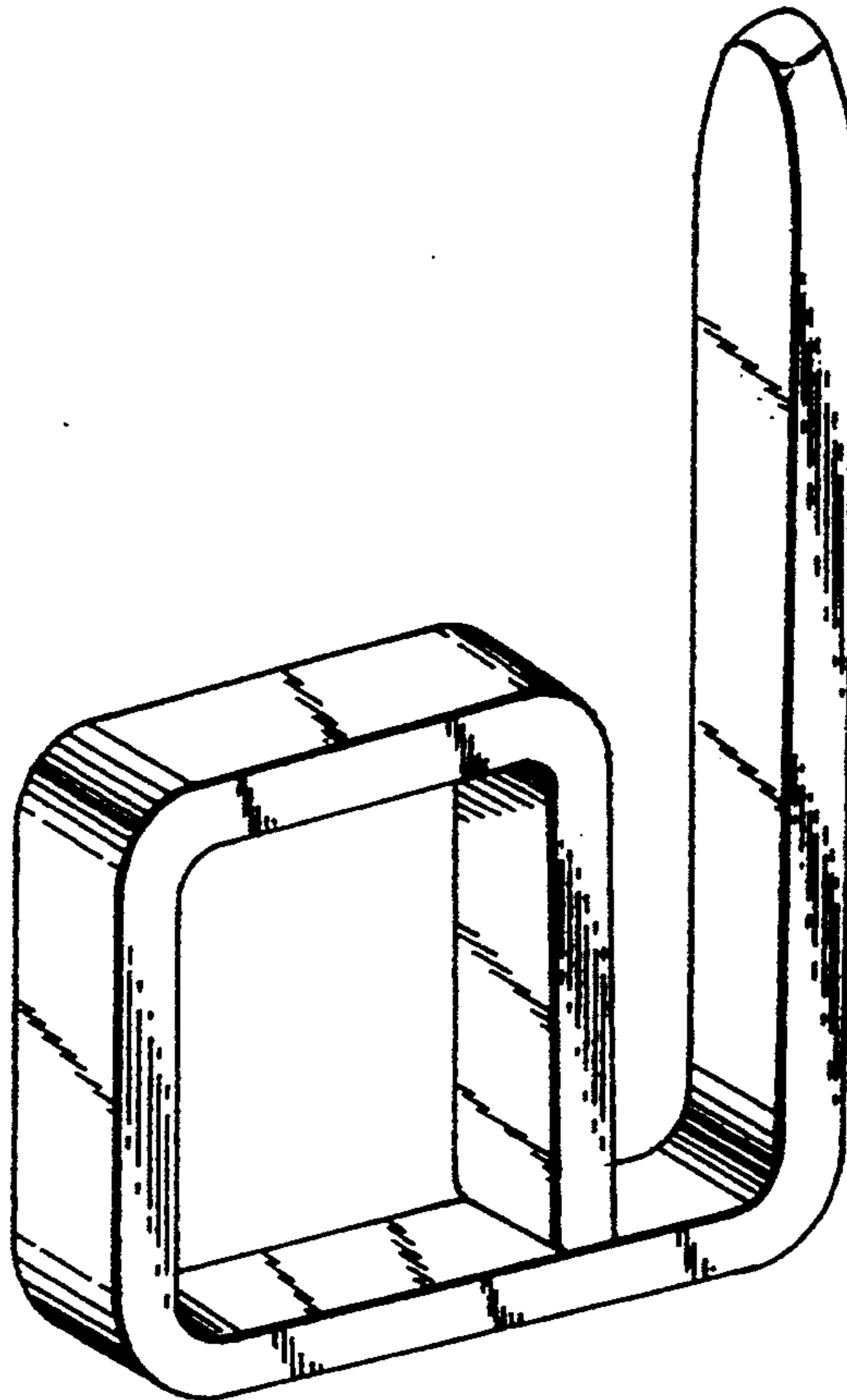
D. 175,801	10/1955	Sharps	D22/134
D. 219,021	10/1970	Graber	D22/149
D. 229,051	11/1973	Bordenave	D22/134
D. 231,611	5/1974	Carter	D22/134
D. 293,358	12/1987	Hearn	D22/134
2,226,402	12/1940	Herschmann	224/103

[57] **CLAIM**

The ornamental design for a fish holder, as shown and described.

DESCRIPTION

FIG. 1 is a perspective view of one side of our fish holder design; and, FIG. 2 is a perspective view of the opposite side of the fish holder of FIG. 1.



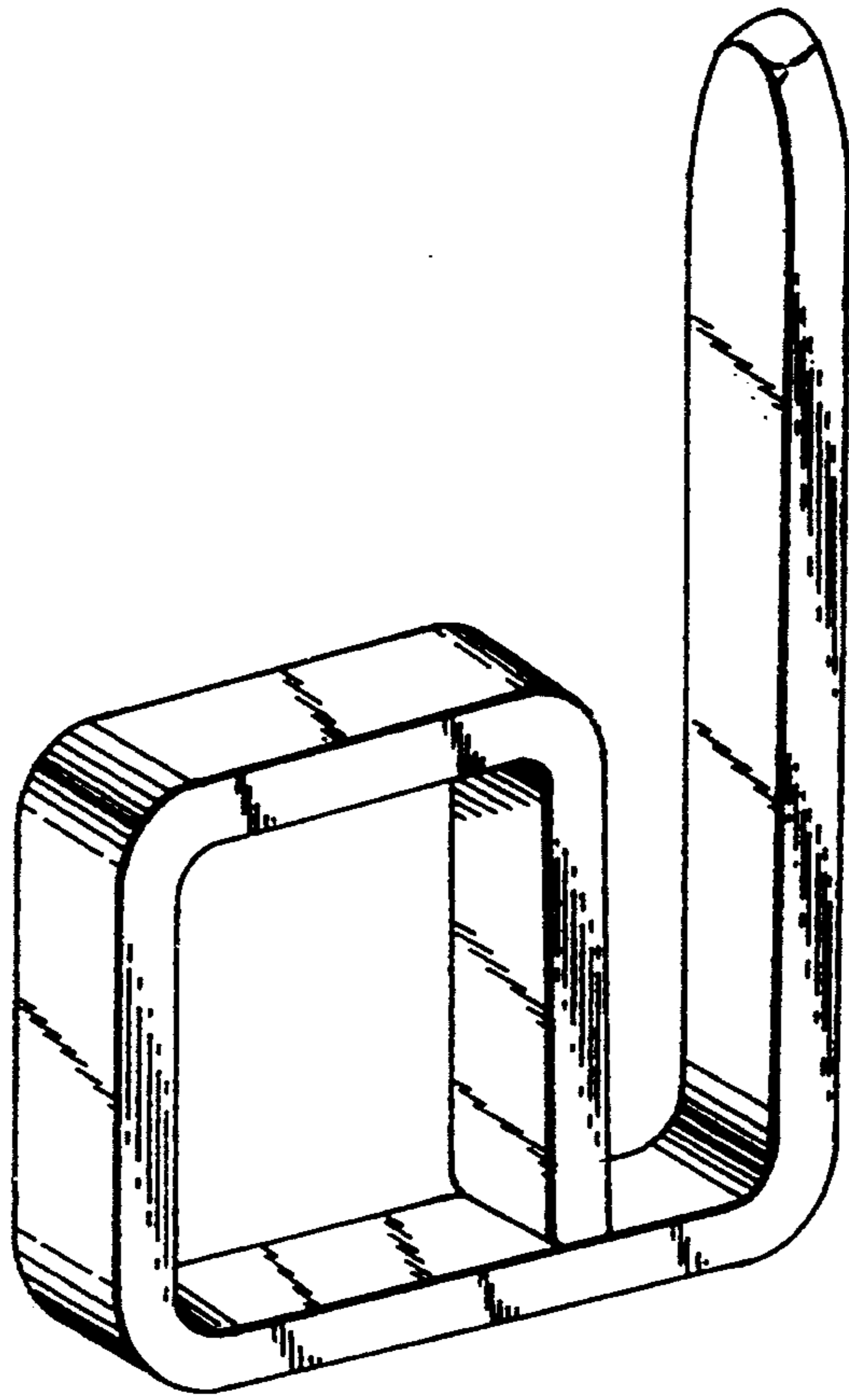


FIG. 1

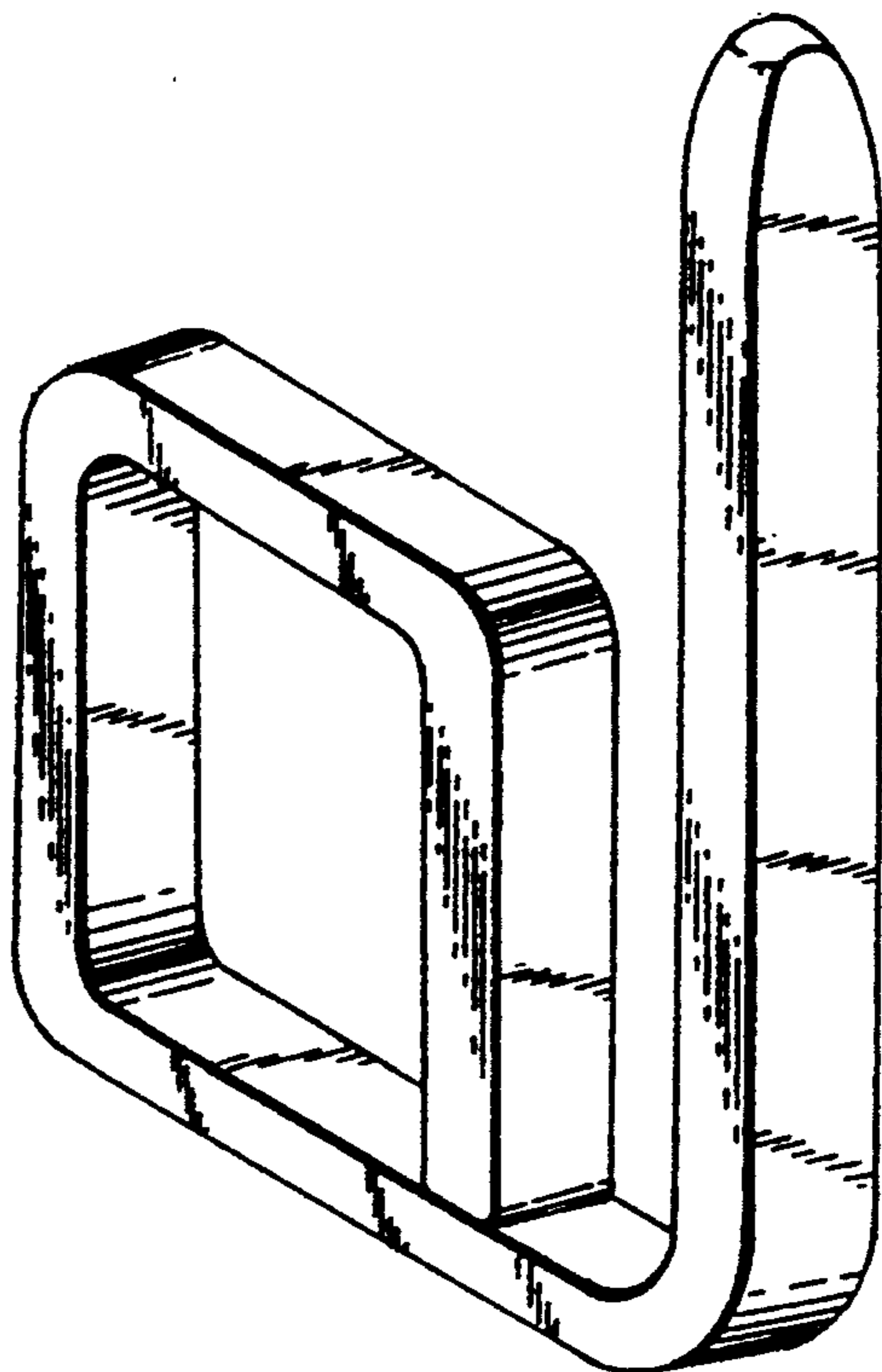


FIG. 2