



US00D354540S

United States Patent [19]

[11] Patent Number: **Des. 354,540**

Wiedenmeier

[45] Date of Patent: **** Jan. 17, 1995**

[54] **GOLF PUTTING PRACTICE TARGET**

[75] Inventor: **George W. Wiedenmeier**, Grafton, Wis.

[73] Assignee: **Ace Product Management Group, Inc.**, Milwaukee, Wis.

[**] Term: **14 Years**

[21] Appl. No.: **10,294**

[22] Filed: **Jun. 30, 1993**

[52] U.S. Cl. **D21/234**

[58] Field of Search **D21/234, 7, 8; 273/181 A, 181 E, 181 F, 181 R, 34 R, 178 R, 180, 191 A, 191 R, 177 R, 127 B**

[56] **References Cited**

U.S. PATENT DOCUMENTS

- D. 141,390 5/1945 Welsh D21/234 X
- D. 200,650 3/1965 Kogan D21/234
- D. 203,754 2/1966 Ganger D21/234
- D. 257,785 1/1981 Arndt et al. D21/234
- D. 310,246 8/1990 Maloney, II D21/8
- D. 323,357 1/1992 Mulay D21/234 X
- 3,700,243 10/1972 Kenney 273/178 R

OTHER PUBLICATIONS

- Austad's, 1985 Golfer's Get Acquainted Catalog, p. 29, Electric Putting Cup.
- Applicant's Exhibit No. 1, Photograph of admitted prior art golf putting practice device.
- Applicant's Exhibit No. 2, photograph dated Apr. 1989 of golf putting practice device.

Primary Examiner—Melvin B. Feifer
Assistant Examiner—Cheri Cohen
Attorney, Agent, or Firm—Quarles & Brady

[57] **CLAIM**

The ornamental design for a golf putting practice target, as shown and described.

DESCRIPTION

FIG. 1 is a left front perspective view of a golf putting practice target showing my new design and illustrating golf balls in broken lines in a storage position;

FIG. 2 is a top plan view thereof;

FIG. 3 is a left side elevational view thereof;

FIG. 4 is a bottom plan view thereof;

FIG. 5 is a front elevational view thereof;

FIG. 6 is a rear elevational view thereof;

FIG. 7 is a left front perspective view of a second embodiment of a golf putting practice target showing my new design;

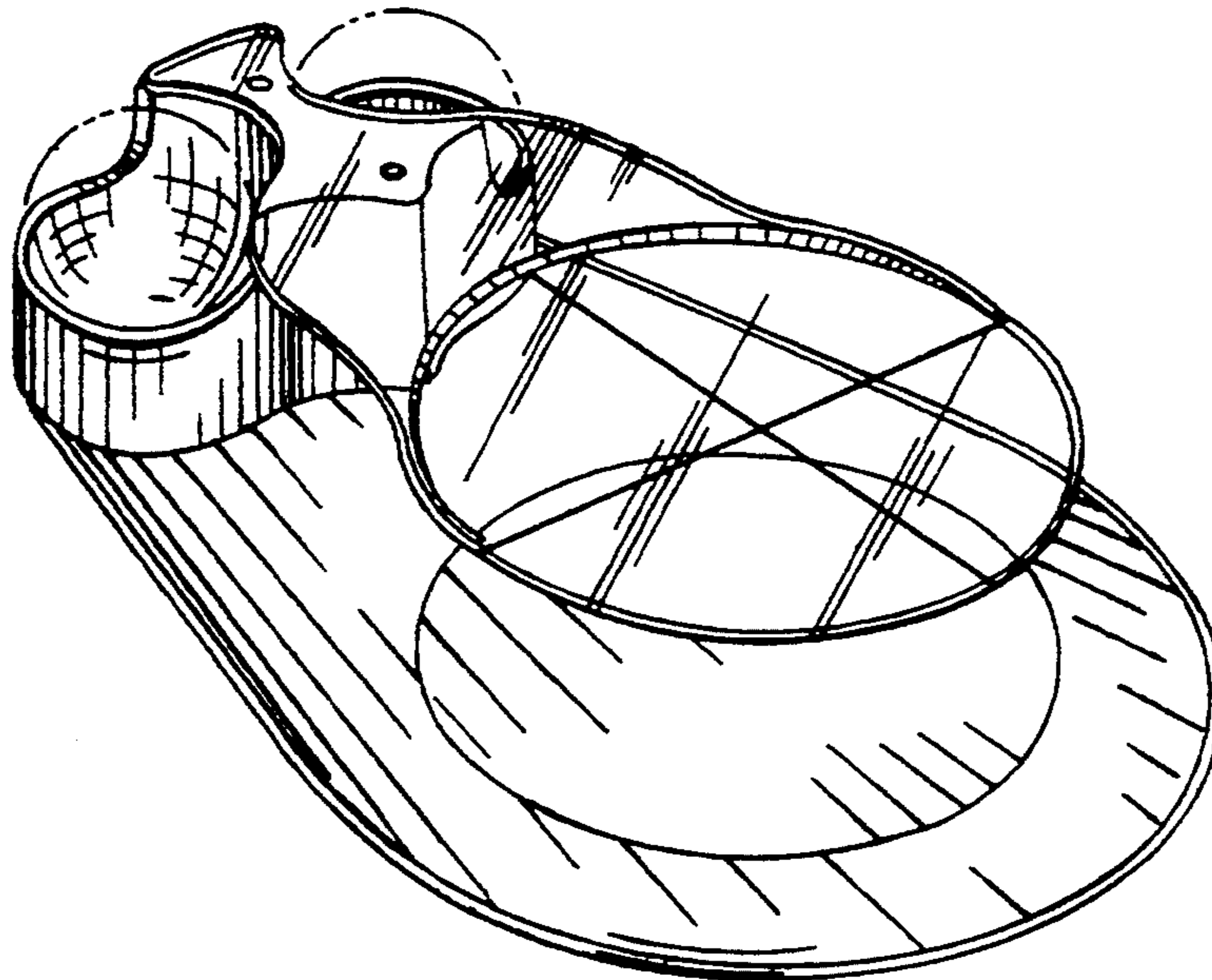
FIG. 8 is a left front perspective view of a third embodiment of a golf putting practice target showing my new design;

FIG. 9 is a sectional elevation view taken along the plane of the line 9—9 of FIG. 8;

FIG. 10 is a left front perspective view of a fourth embodiment of a golf putting practice target showing my new design; and,

FIG. 11 is a left front perspective view of a fifth embodiment of a golf putting practice target showing my new design.

The broken line representations of golf balls in FIG. 1 are for illustrative purposes only and form no part of the claimed design.



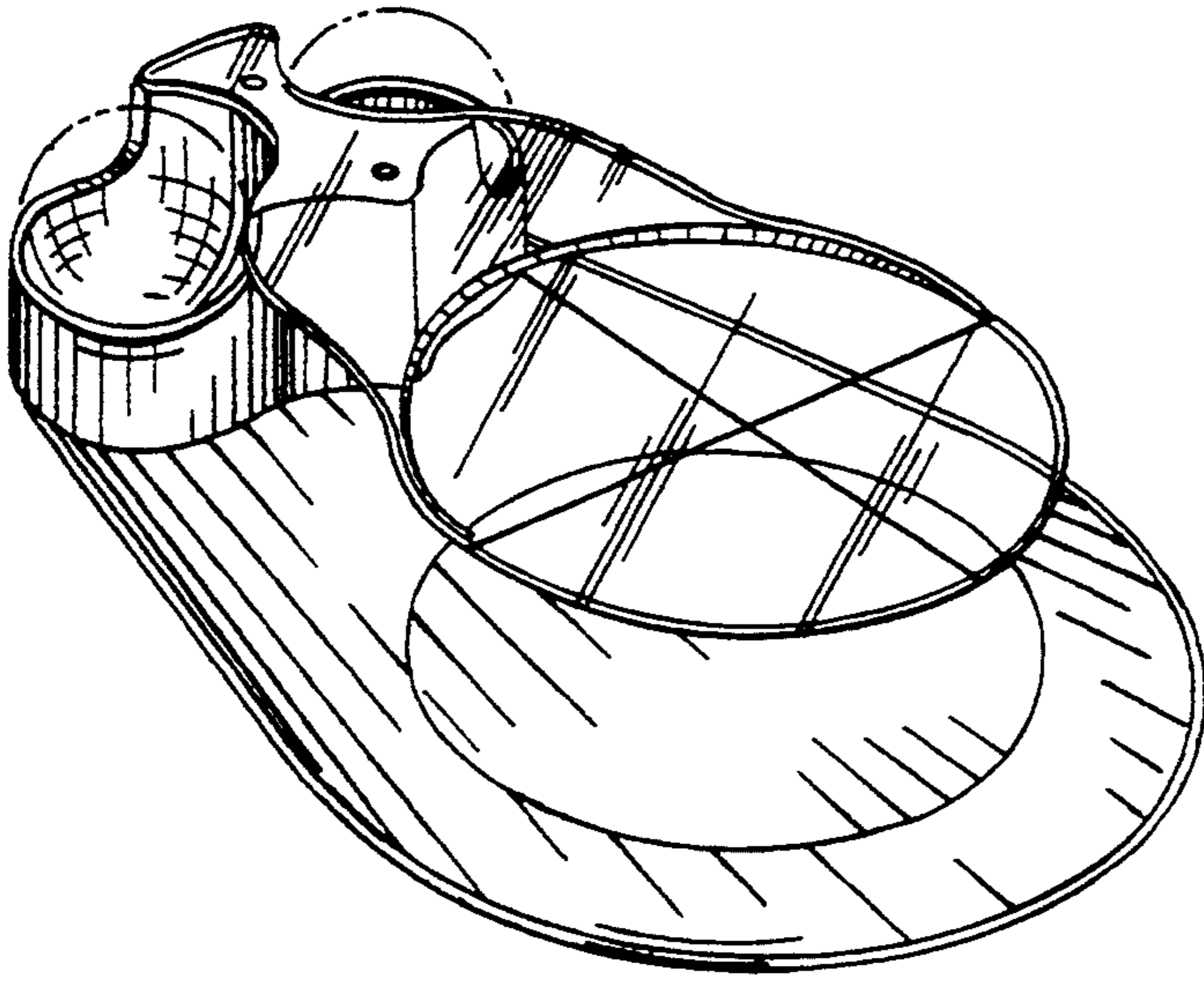


FIG. 1.

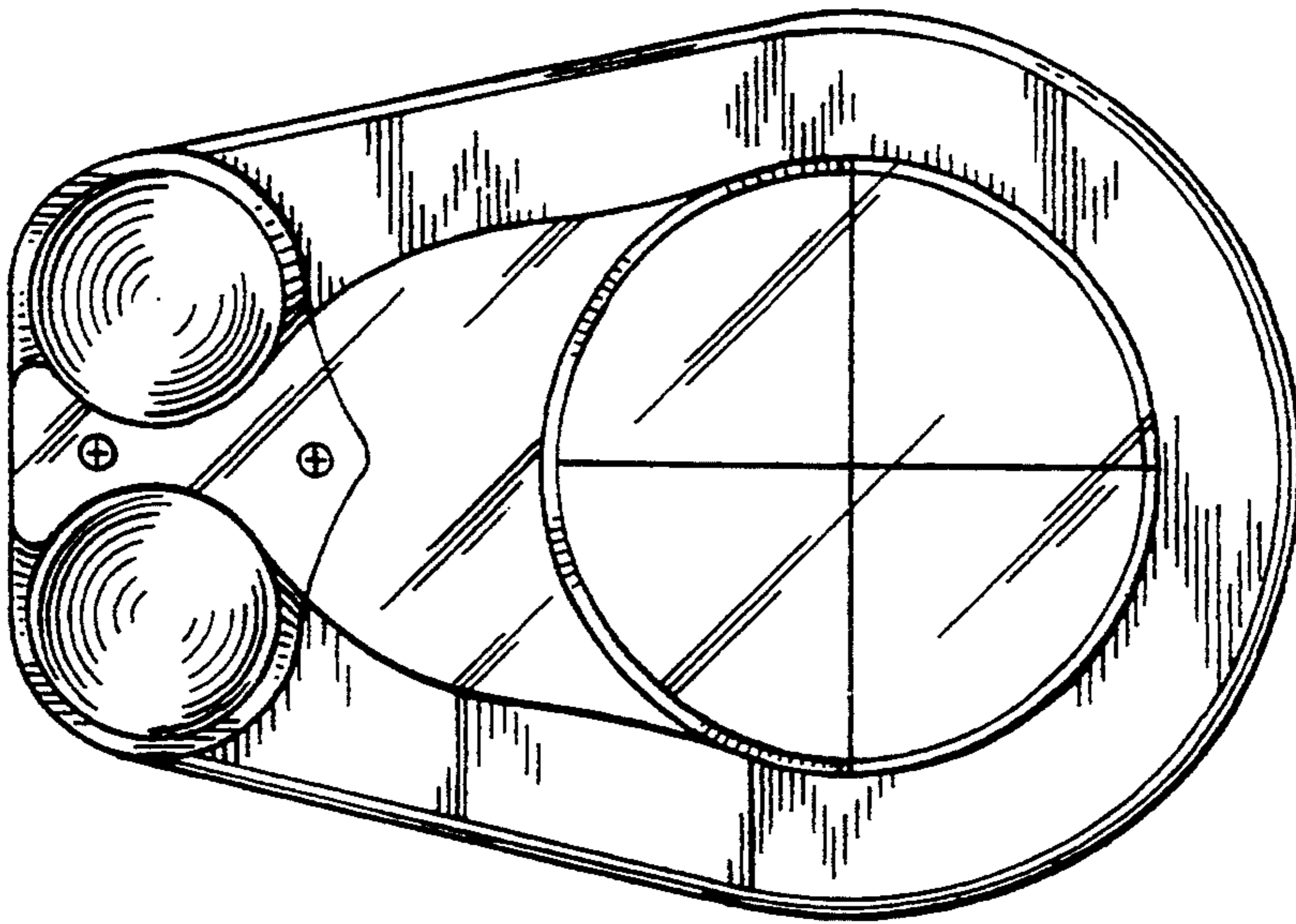


FIG. 2.

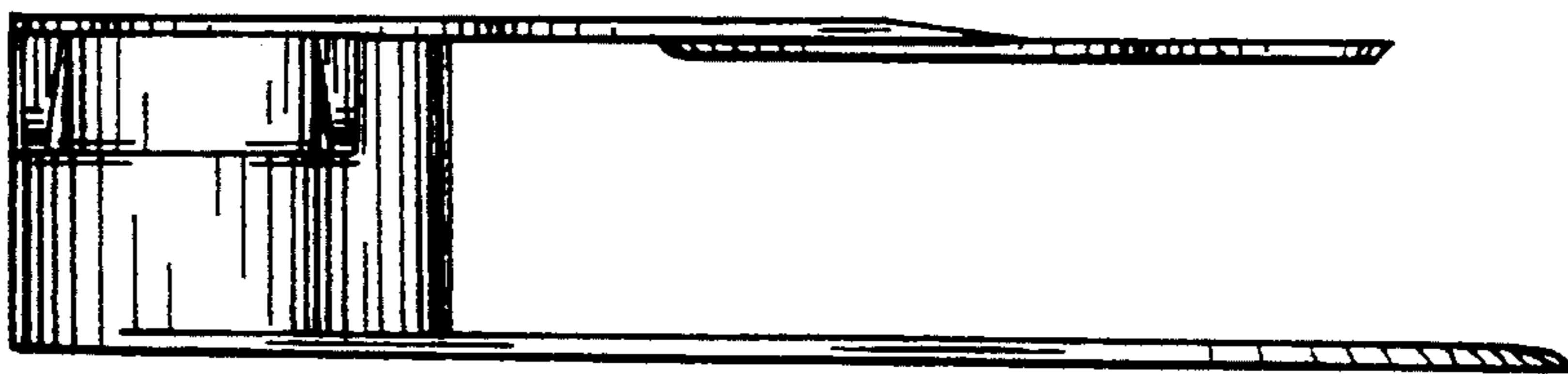


FIG. 3.

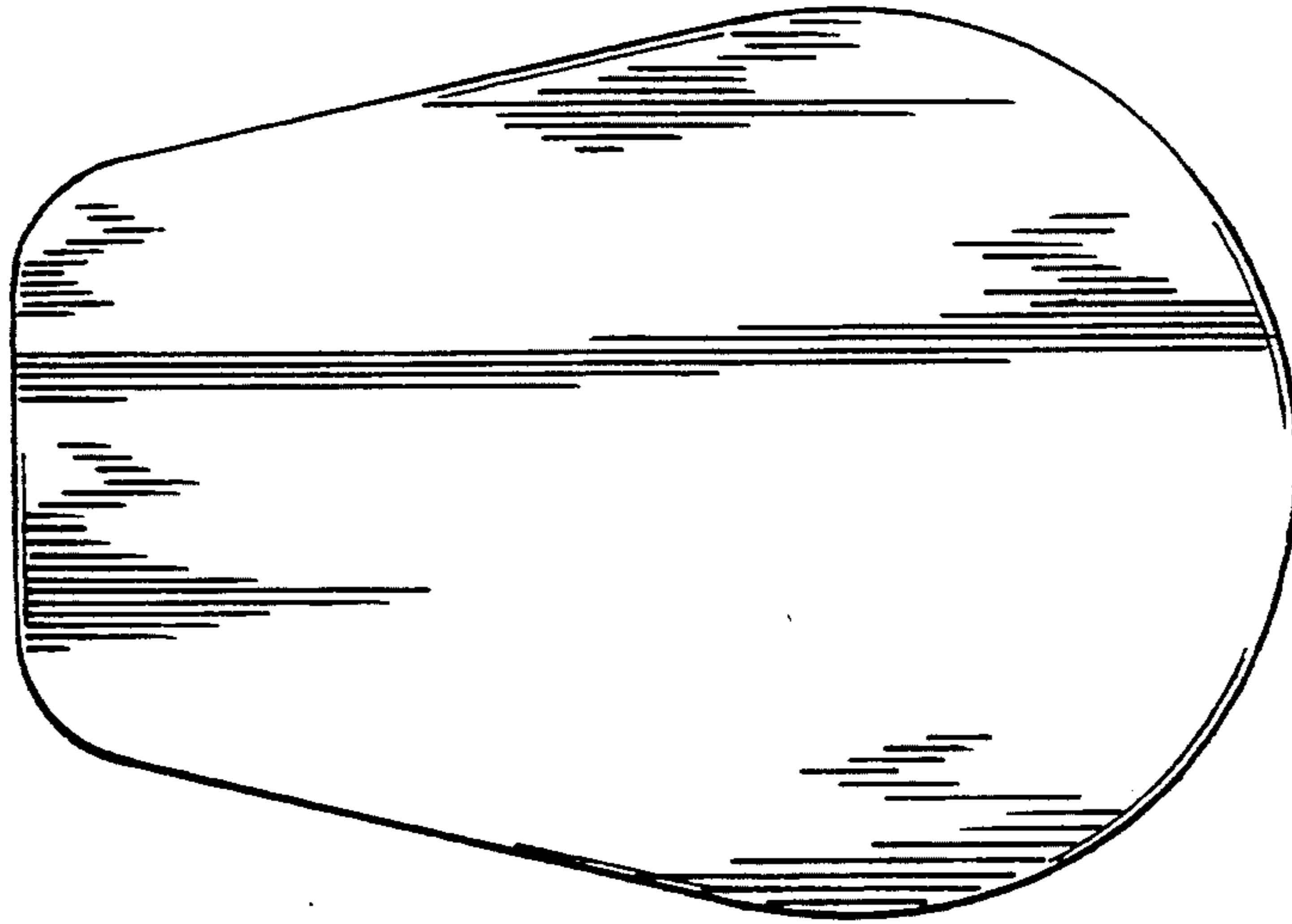


FIG. 4.

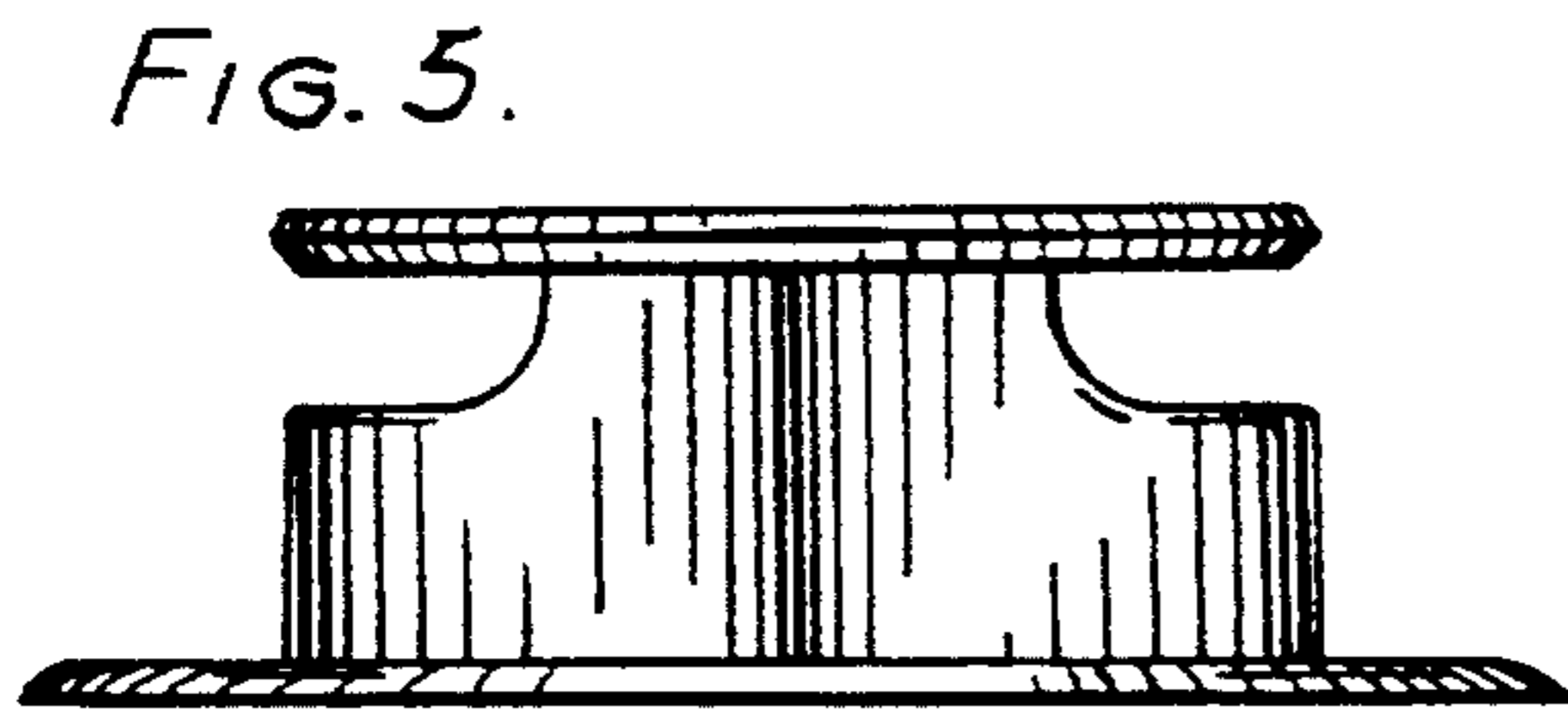


FIG. 5.

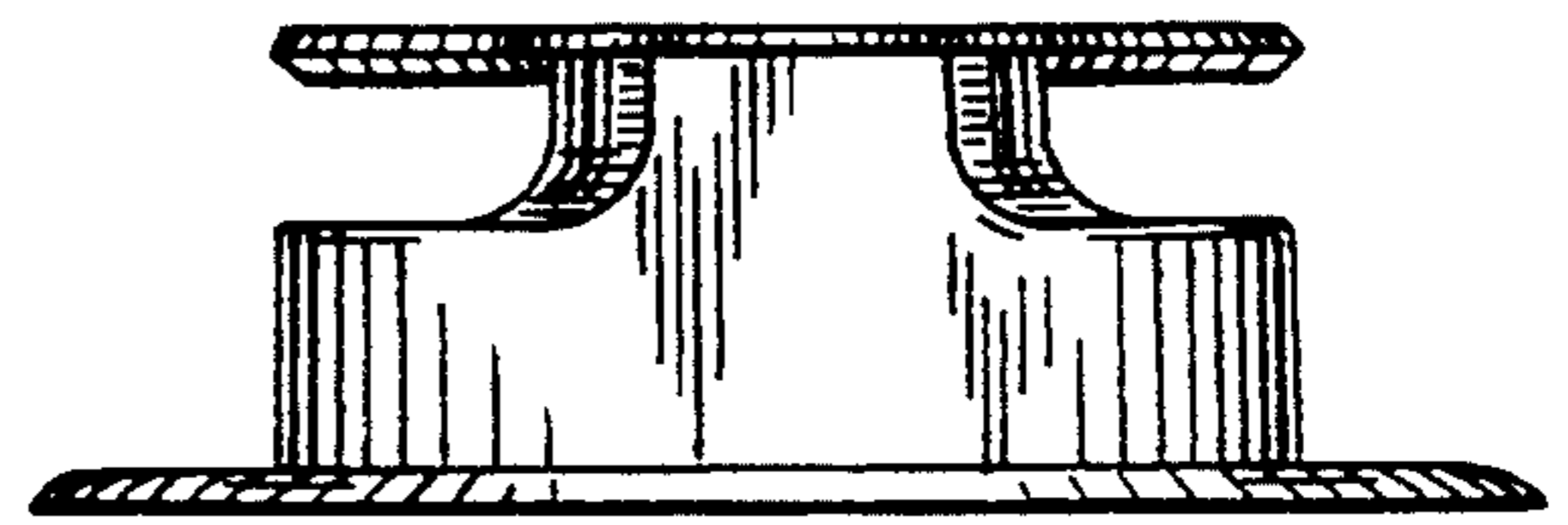


FIG. 6.

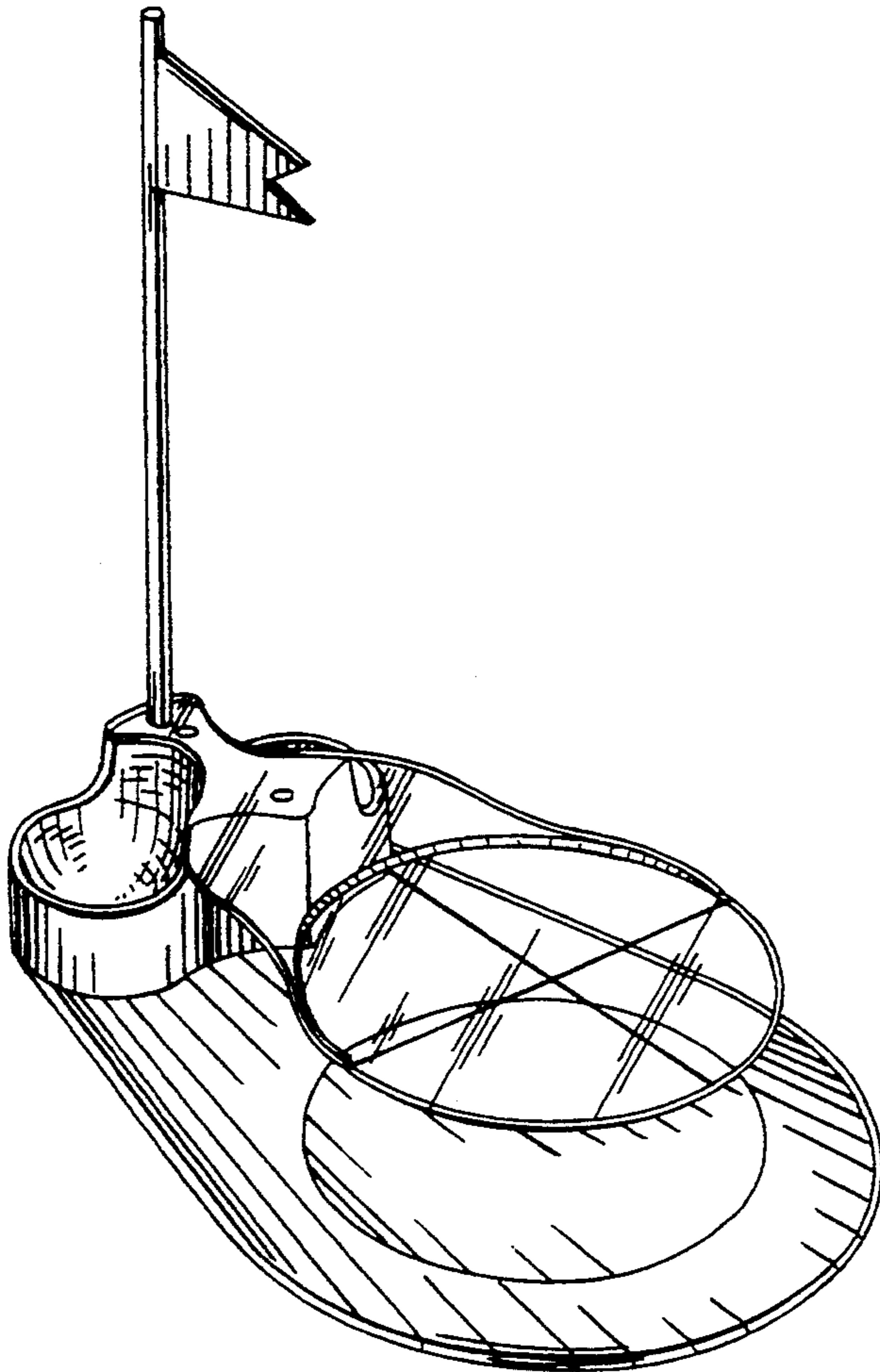


FIG. 7.

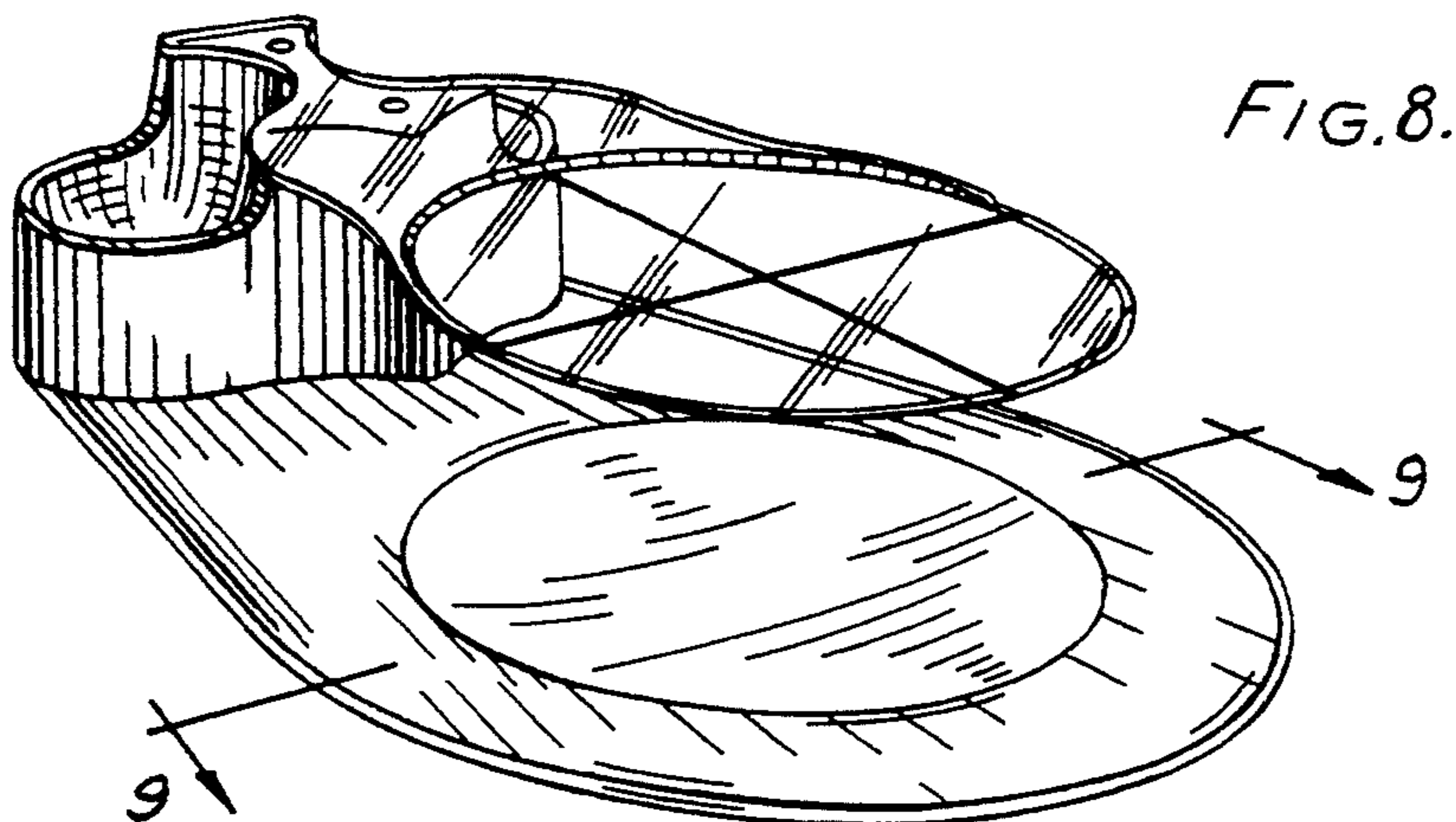


FIG. 9.

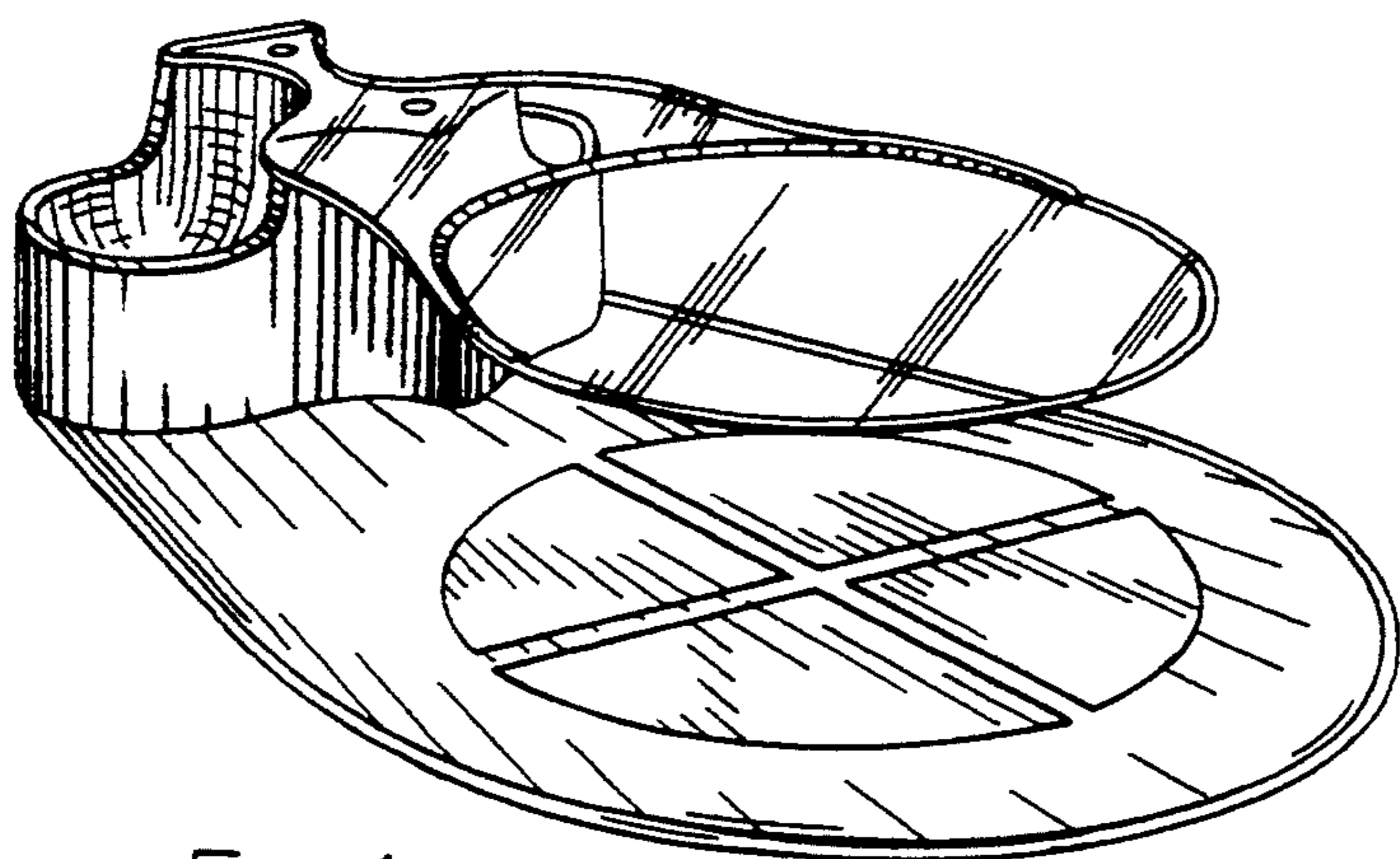


FIG. 10

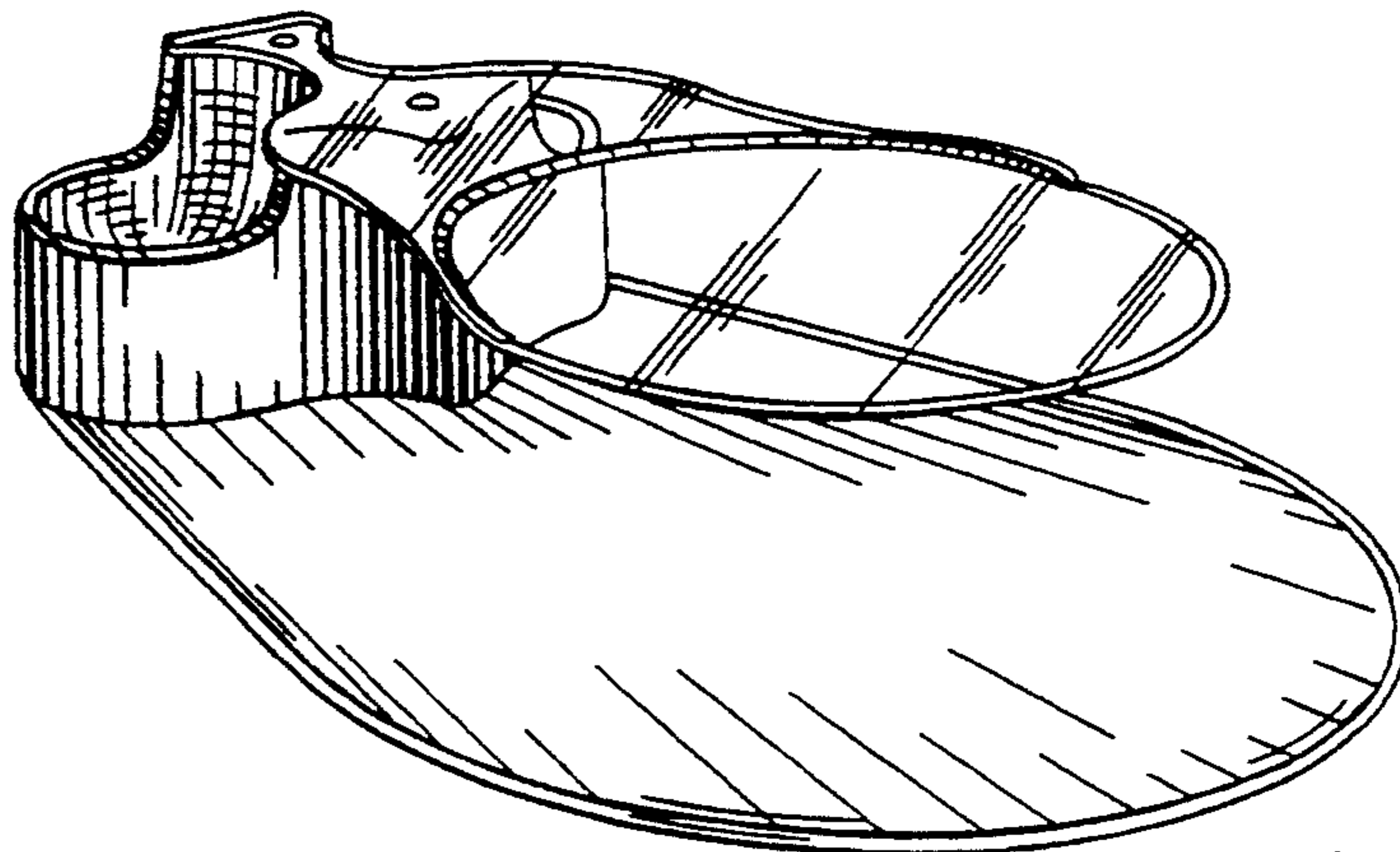


FIG. 11.